



US00D481096S

(12) **United States Design Patent**
Diego et al.

(10) **Patent No.:** **US D481,096 S**

(45) **Date of Patent:** **** Oct. 21, 2003**

(54) **PLAYGROUND RIDING EVENT**

(75) Inventors: **Gabriela Diego**, Milton, PA (US); **Ray Seybert**, Sunbury, PA (US)

(73) Assignee: **Playworld Systems, Inc.**, Lewisburg, PA (US)

(**) Term: **14 Years**

(21) Appl. No.: **29/167,424**

(22) Filed: **Sep. 13, 2002**

(51) **LOC (7) Cl.** **21-03**

(52) **U.S. Cl.** **D21/828**

(58) **Field of Search** D21/826-828;
482/35, 36

(56) **References Cited**

U.S. PATENT DOCUMENTS

D136,786 S	*	12/1943	Shumaker	D6/347
D235,792 S	*	7/1975	Wormser	D21/826
D255,374 S	*	6/1980	Smith et al.	D21/823
D315,775 S		3/1991	Jones	D21/246
D455,190 S	*	4/2002	Mantooth	D21/826
D455,470 S	*	4/2002	Blackwood	D21/826
D455,809 S		4/2002	Blackwood	D21/826

* cited by examiner

Primary Examiner—Mitchell Siegel

(74) *Attorney, Agent, or Firm*—Drinker Biddle & Reath LLP

(57) **CLAIM**

The ornamental design for a playground riding event, as shown and described.

DESCRIPTION

FIG. 1 is an isometric view of a playground riding event showing the design of the present invention.

FIG. 2 is an front side elevation view of the playground riding event in FIG. 1.

FIG. 3 is a back side elevation view of the playground riding event in FIG. 1.

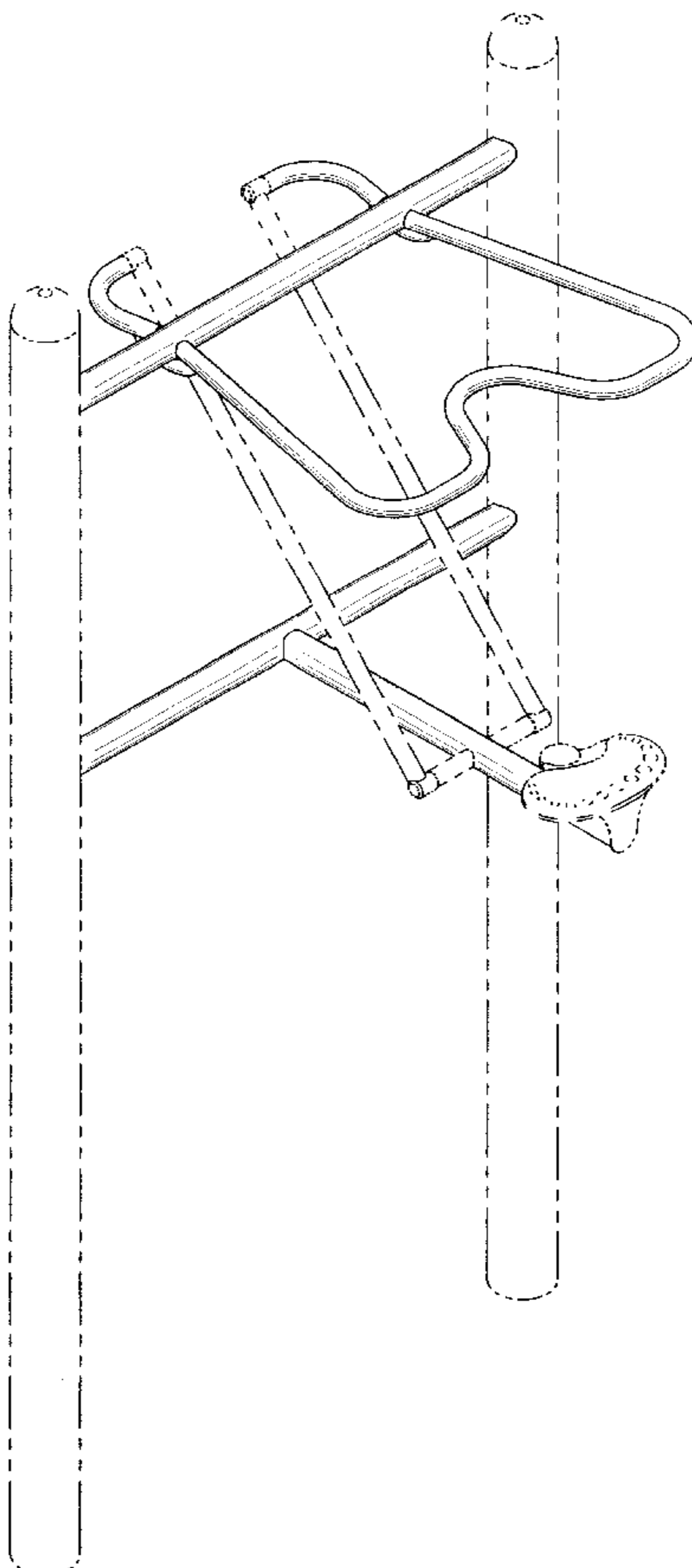
FIG. 4 is top plan view of the playground riding event in FIG. 1.

FIG. 5 is bottom plan view of the playground riding event in FIG. 1; and,

FIG. 6 is a side elevation view of the design of a playground riding event shown in FIG. 1, it being understood that the opposite side is substantially a mirror image of the side shown herein.

The broken line showing of is for illustrative purposes only and forms no part of the claimed design.

1 Claim, 5 Drawing Sheets



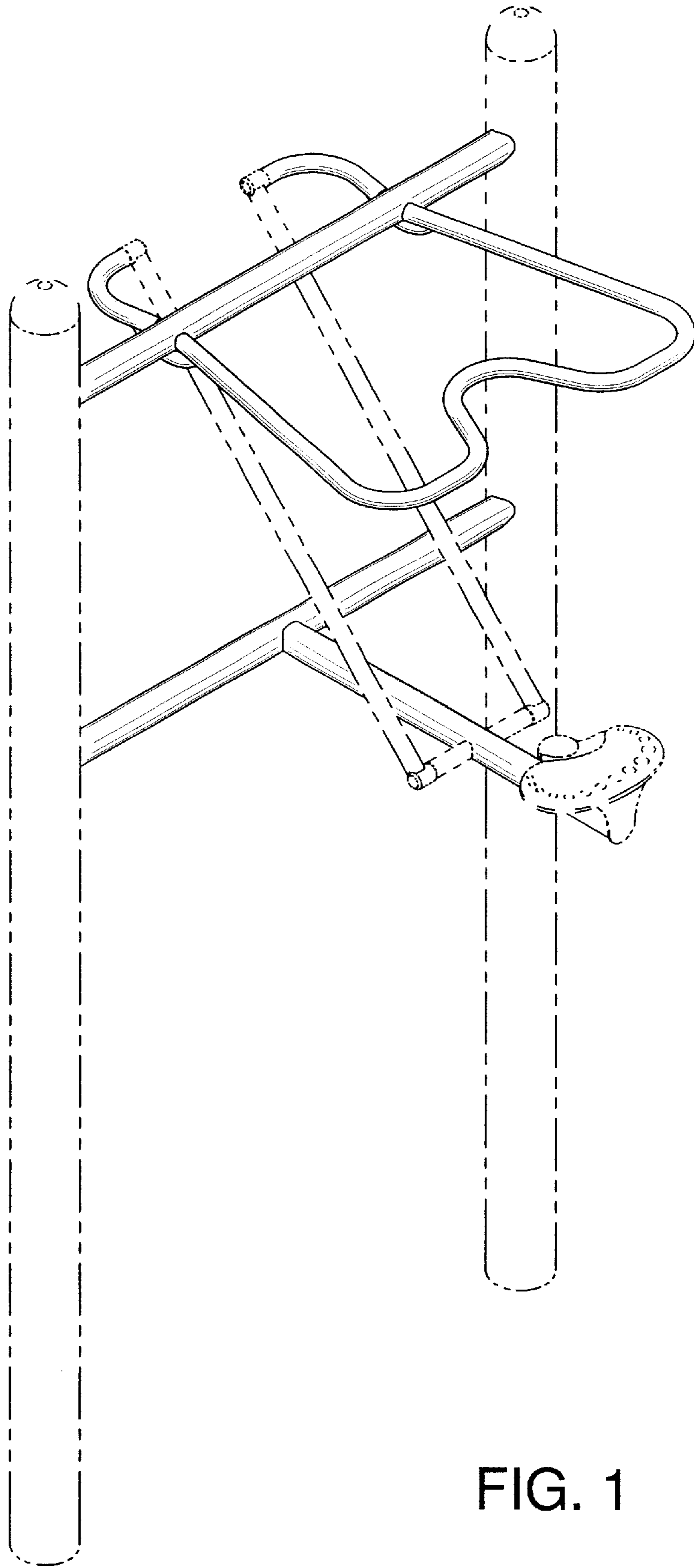


FIG. 1

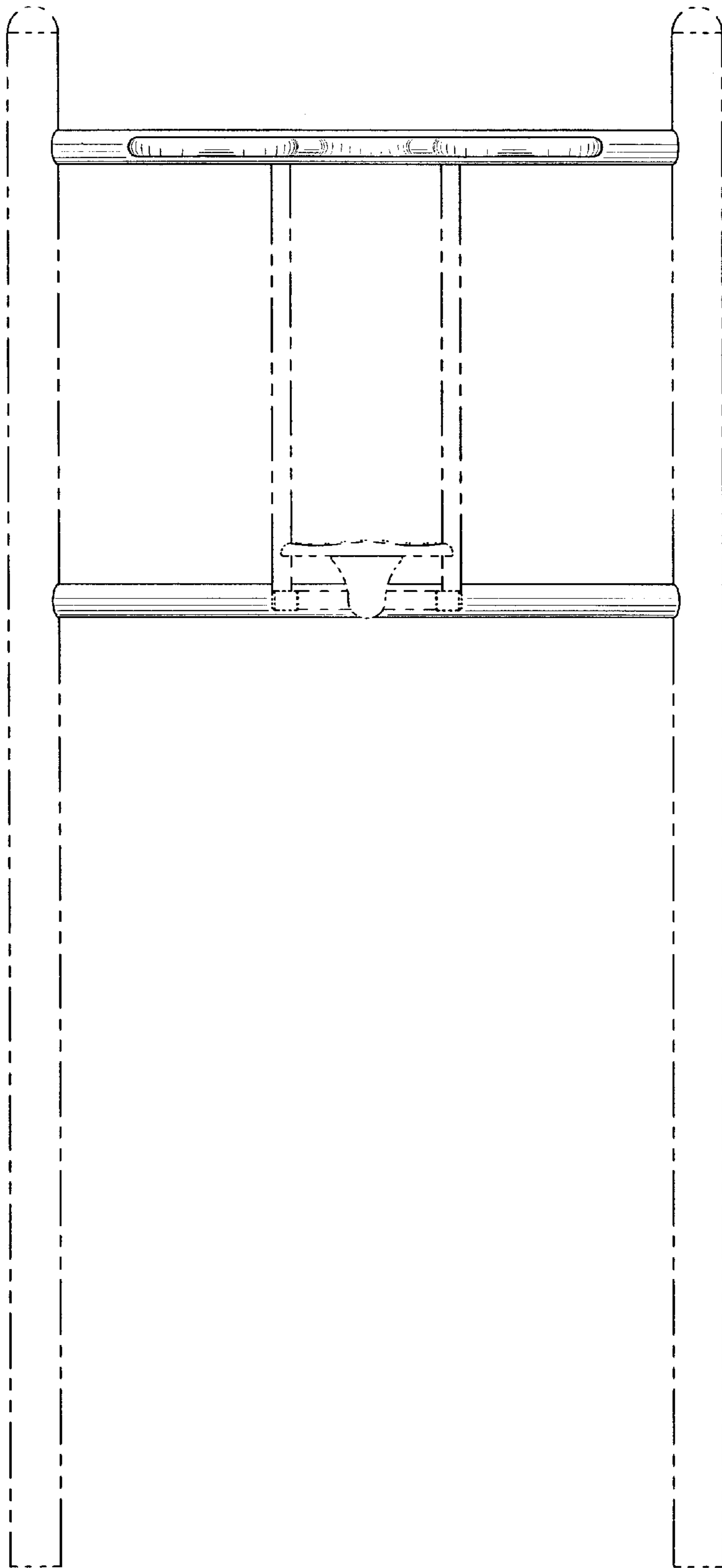


FIG. 2

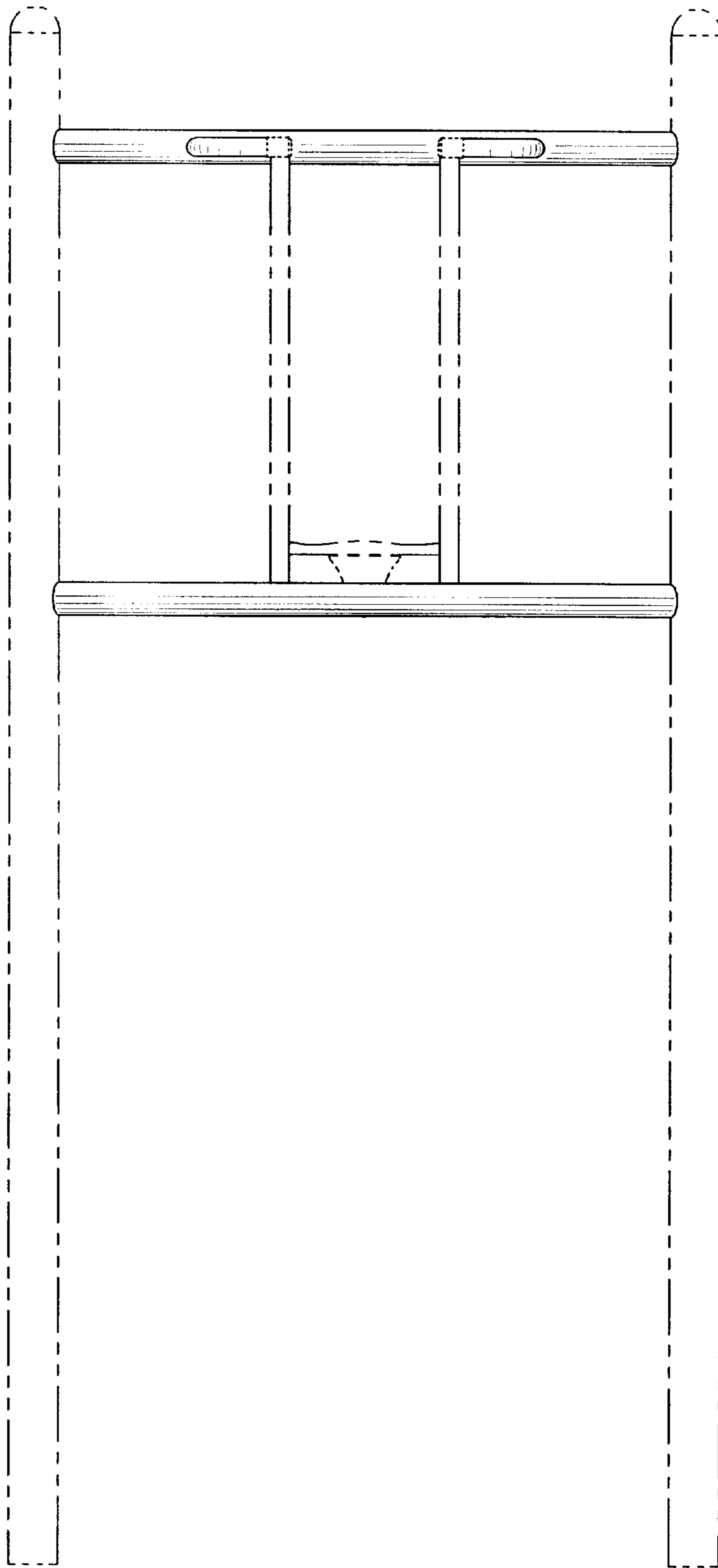


FIG. 3

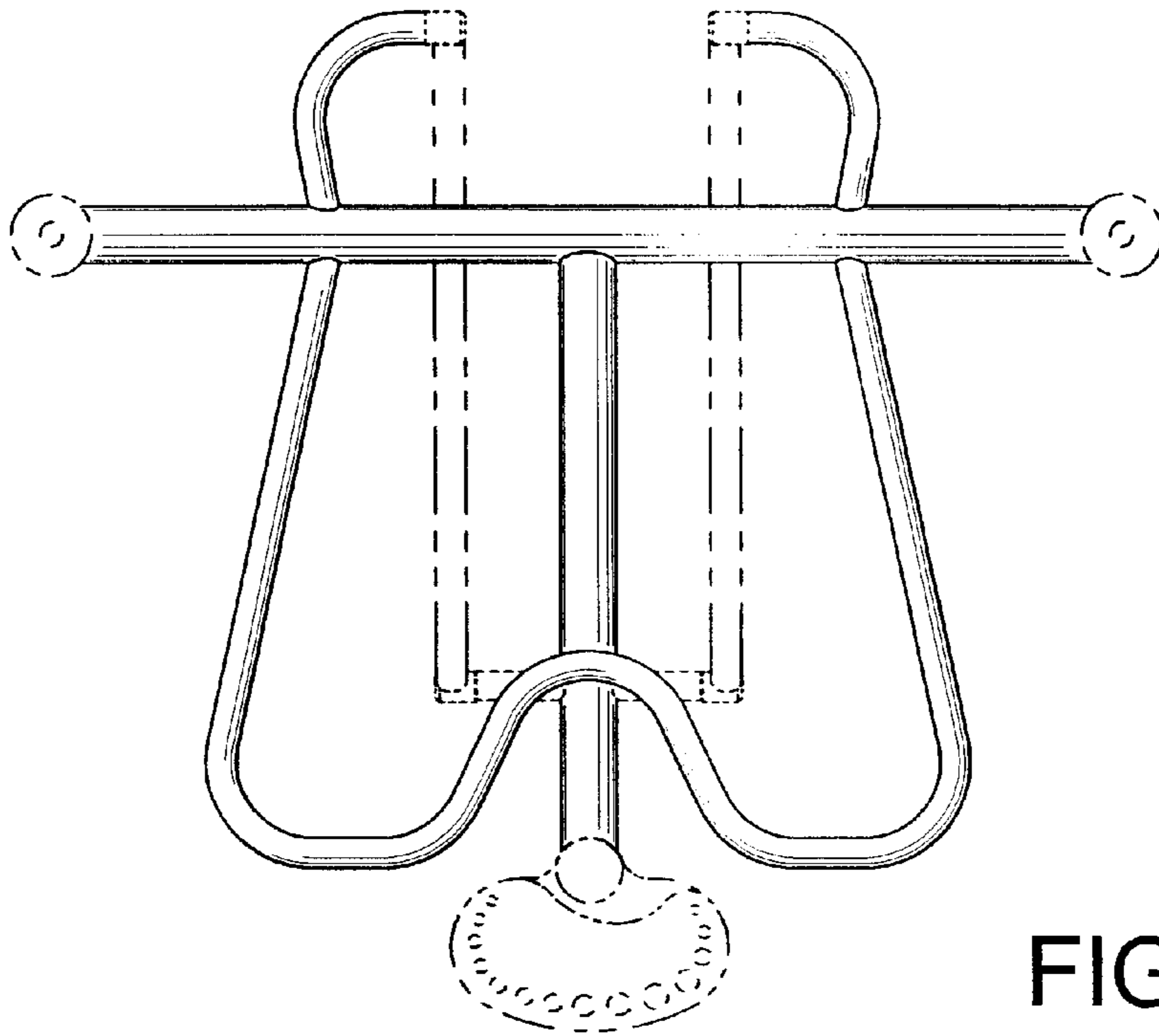


FIG. 4

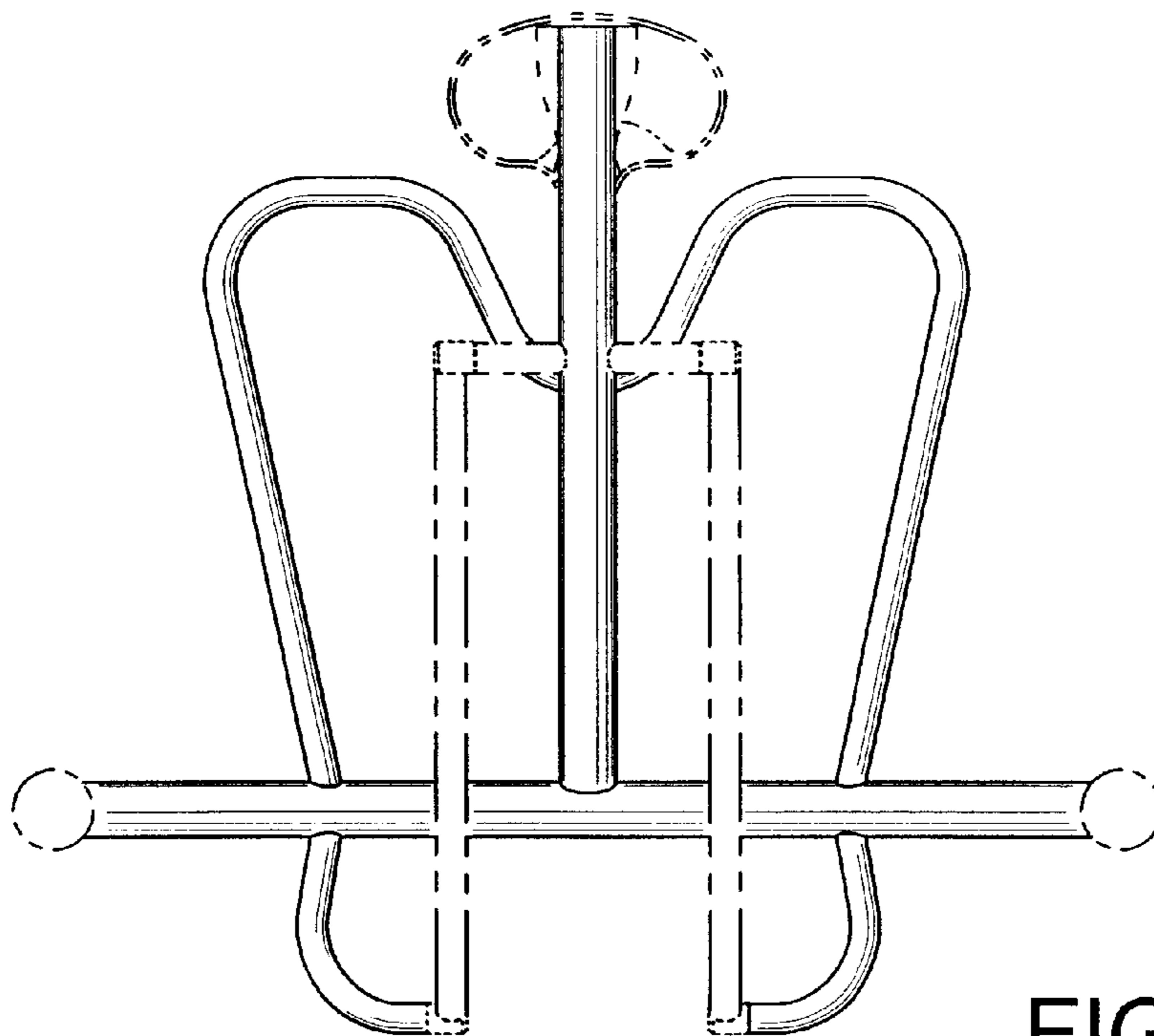


FIG. 5

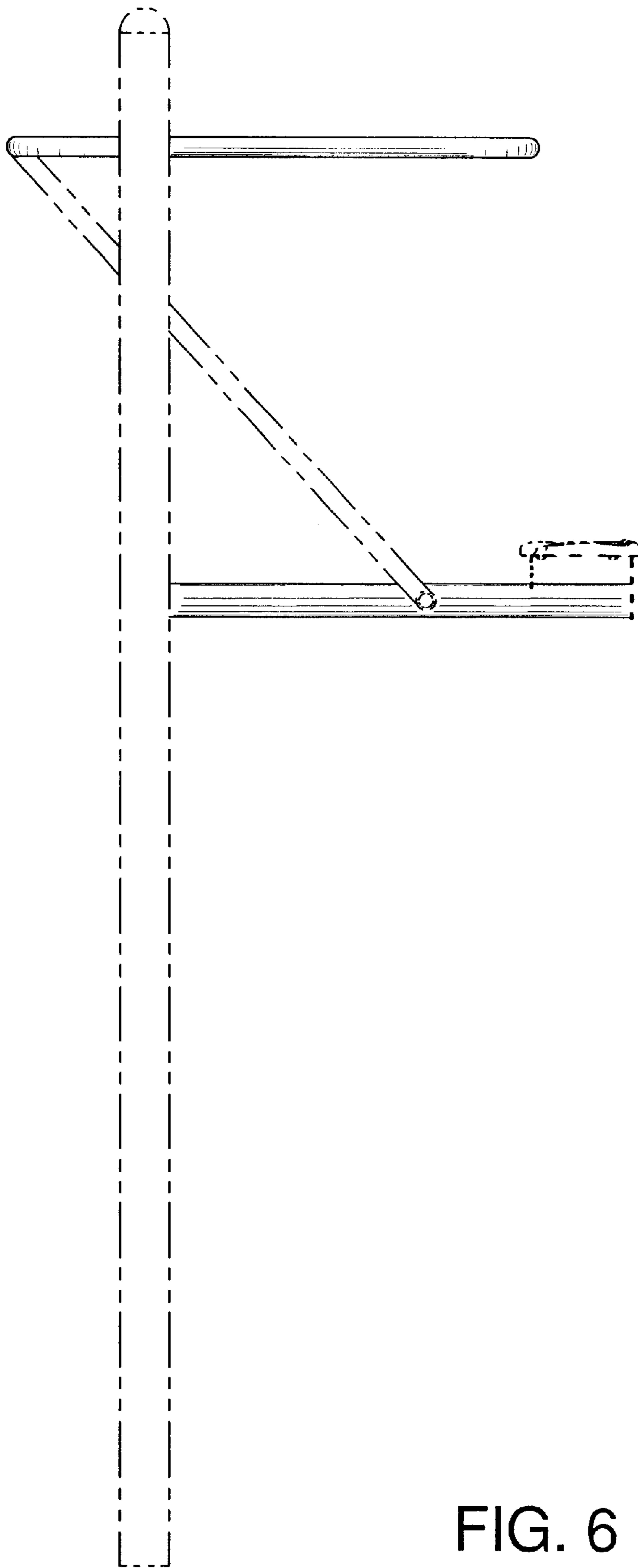


FIG. 6