



US00D481095S

(12) **United States Design Patent**  
**Van Deusen**

(10) **Patent No.:** **US D481,095 S**

(45) **Date of Patent:** **\*\* Oct. 21, 2003**

(54) **HELICOPTER PLAY STRUCTURE**

(75) **Inventor:** **Gary Van Deusen, Hillsdale, MI (US)**

(73) **Assignee:** **The Shane Group, Hillsdale, MI (US)**

(\*\*) **Term:** **14 Years**

(21) **Appl. No.:** **29/170,366**

(22) **Filed:** **Nov. 5, 2002**

(51) **LOC (7) Cl.** ..... **21-03**

(52) **U.S. Cl.** ..... **D21/827**

(58) **Field of Search** ..... D21/811, 814,  
D21/818-827; 482/35, 36; 472/116, 117

(56) **References Cited**

**U.S. PATENT DOCUMENTS**

D189,581 S	*	1/1961	Williams	.....	D21/818
D191,749 S	*	11/1961	Haubert	.....	D21/827
D194,214 S	*	12/1962	Shepard	.....	D21/827
D195,633 S	*	7/1963	Haubert	.....	D21/827
D200,478 S	*	3/1965	Haubert	.....	D21/820
D211,588 S	*	7/1968	Zick	.....	D21/827
D212,193 S	*	9/1968	Ruby	.....	D21/827
D222,781 S	*	12/1971	Johnson	.....	D21/827
D223,674 S	*	5/1972	Johnson	.....	D21/827
D225,072 S	*	11/1972	Henning et al.	.....	D21/827
D225,073 S	*	11/1972	Henning et al.	.....	D21/827
D226,318 S	*	2/1973	Henning et al.	.....	D21/827
D235,901 S	*	7/1975	Zick	.....	D21/827

D236,276 S	*	8/1975	Rudy	.....	D21/827
D250,783 S	*	1/1979	Dieter et al.	.....	29/170
D257,875 S	*	1/1981	Rudy	.....	D21/827
D281,893 S	*	12/1985	Addleman	.....	D21/827
D361,116 S	*	8/1995	Shaneour	.....	D21/821
D440,623 S	*	4/2001	Gardner et al.	.....	D21/827
D468,386 S	*	1/2003	Frank	.....	D21/818

\* cited by examiner

*Primary Examiner*—Mitchell Siegel

(74) *Attorney, Agent, or Firm*—Young & Basile, P.C.

(57) **CLAIM**

The ornamental design for a helicopter play structure, as shown and described.

**DESCRIPTION**

FIG. 1 is a perspective view of the helicopter play structure; FIG. 2 is a plan side view of the helicopter play structure of FIG. 1; FIG. 3 is a top plan view of the helicopter play structure of FIG. 1; FIG. 4 is a rear plan view of the helicopter play structure of FIG. 1; and, FIG. 5 is a front plan view of the helicopter play structure of FIG. 1.

The broken line showing of the ground is for illustrative purposes only and forms no part of the claimed design.

**1 Claim, 4 Drawing Sheets**

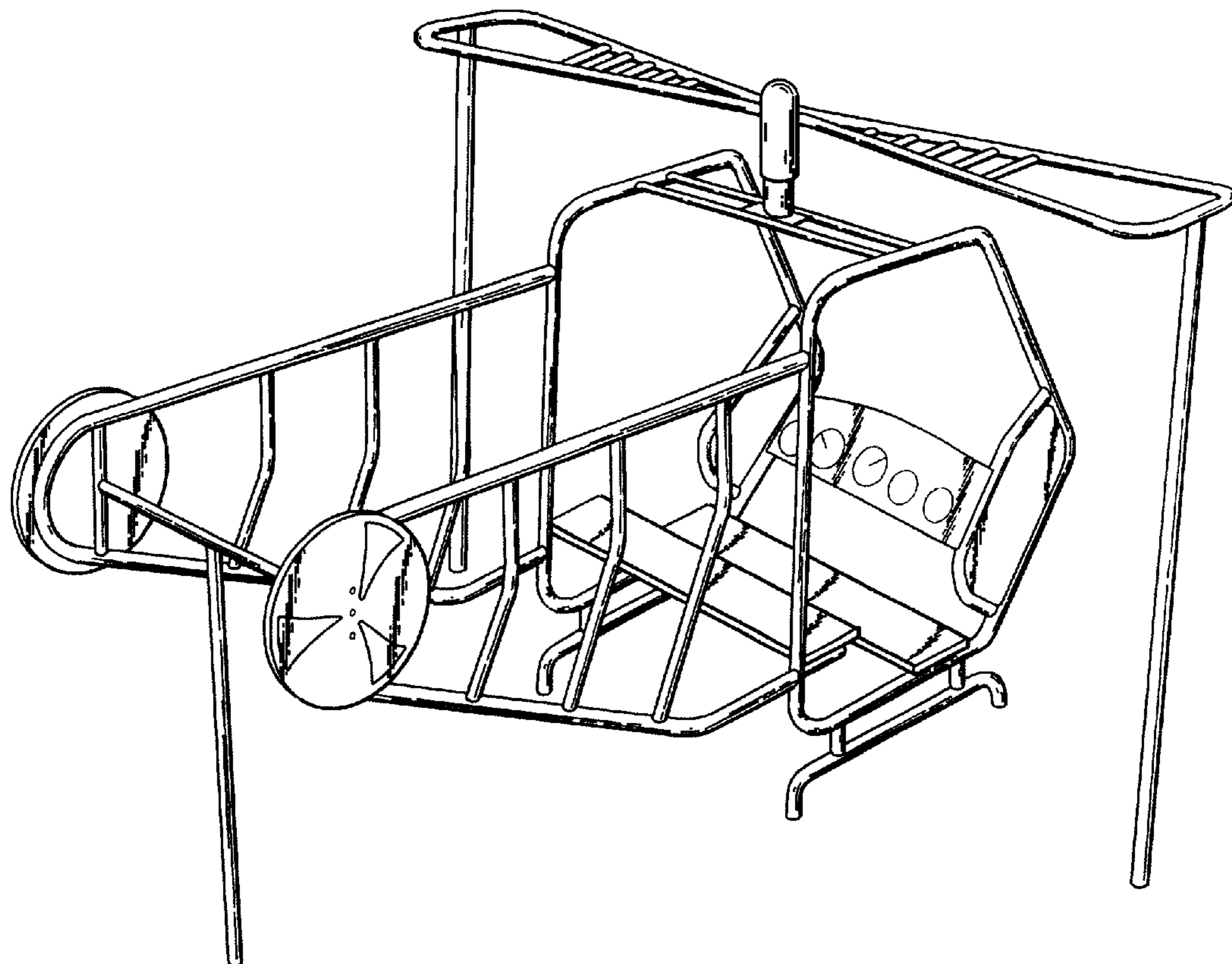
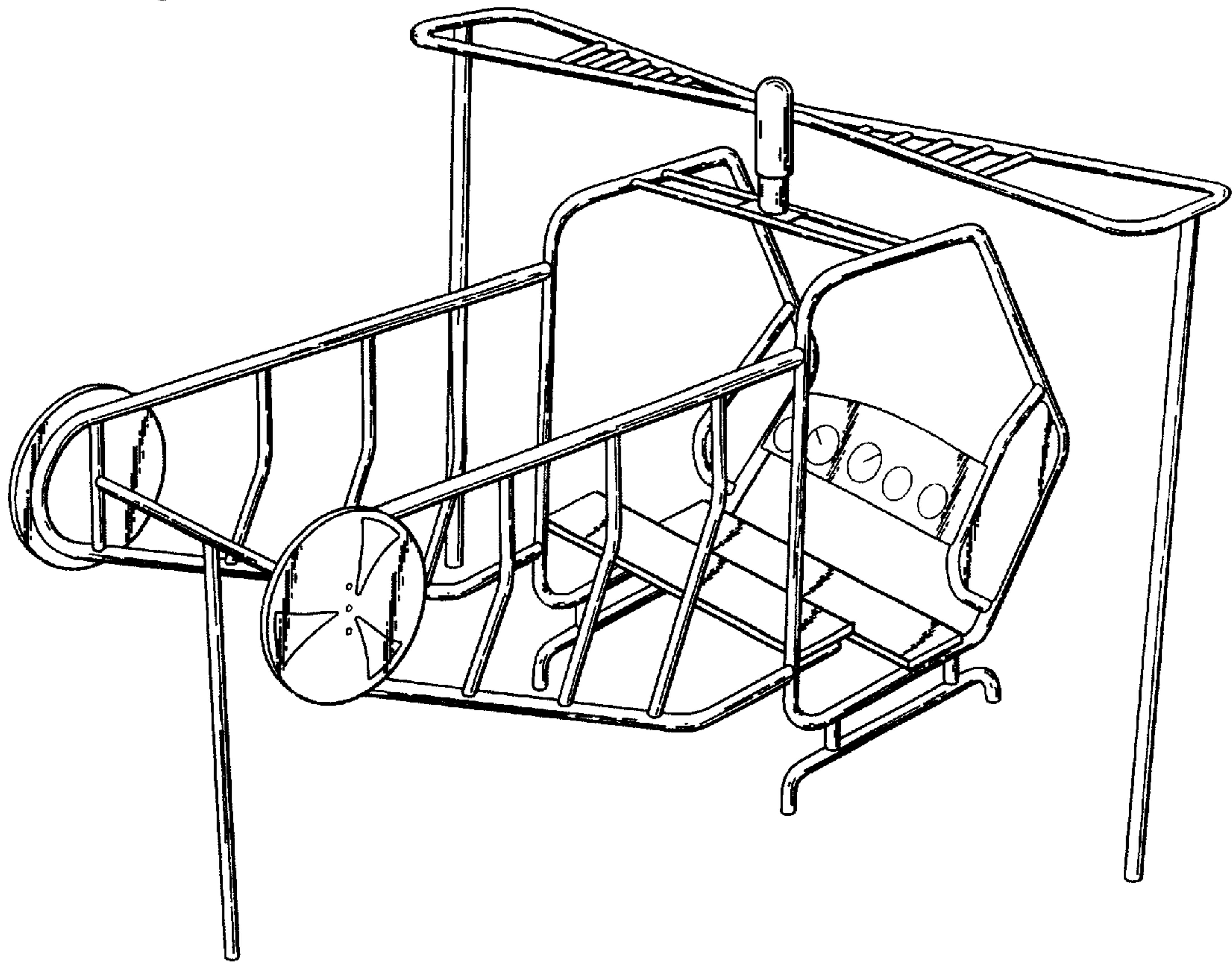


FIG - 1



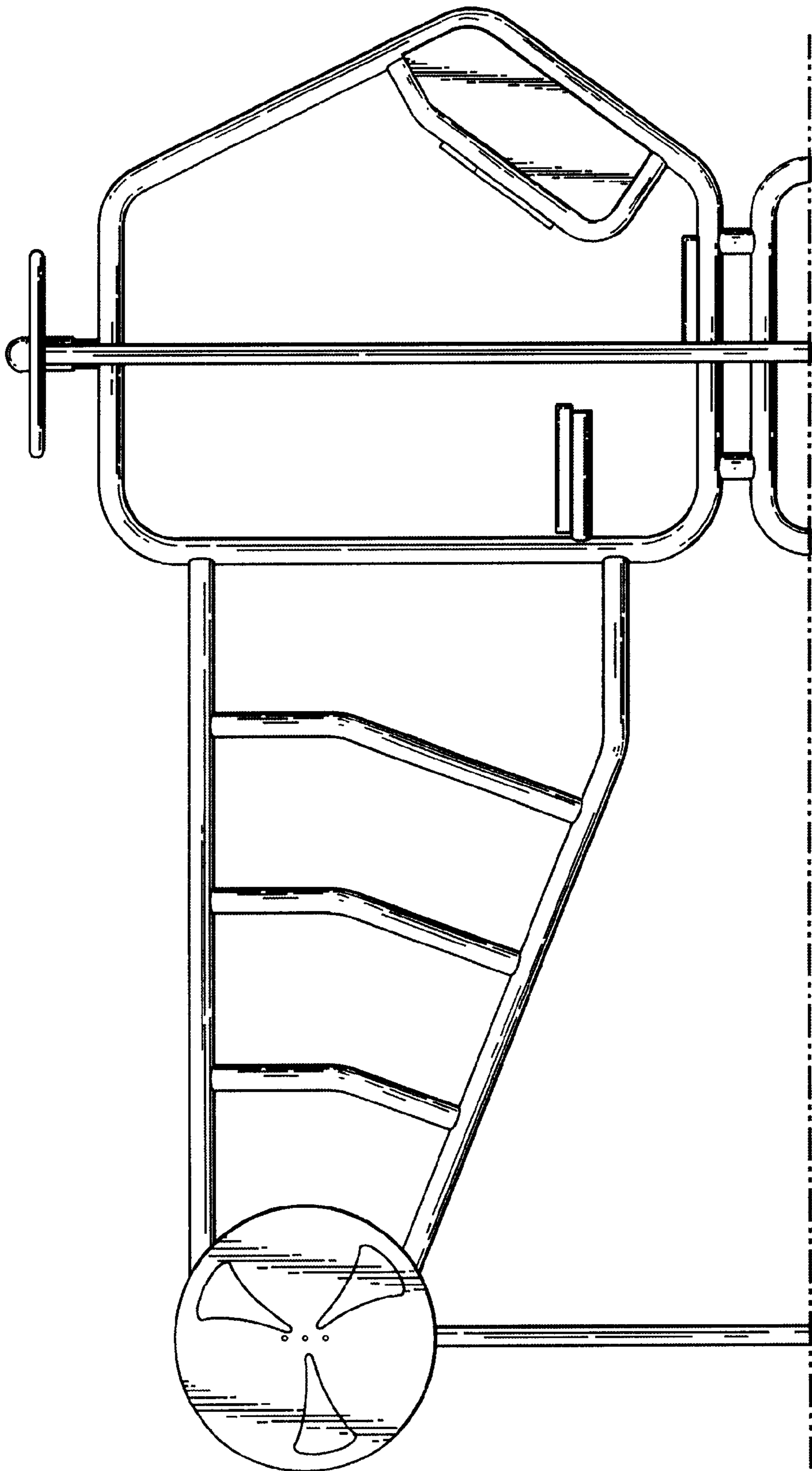
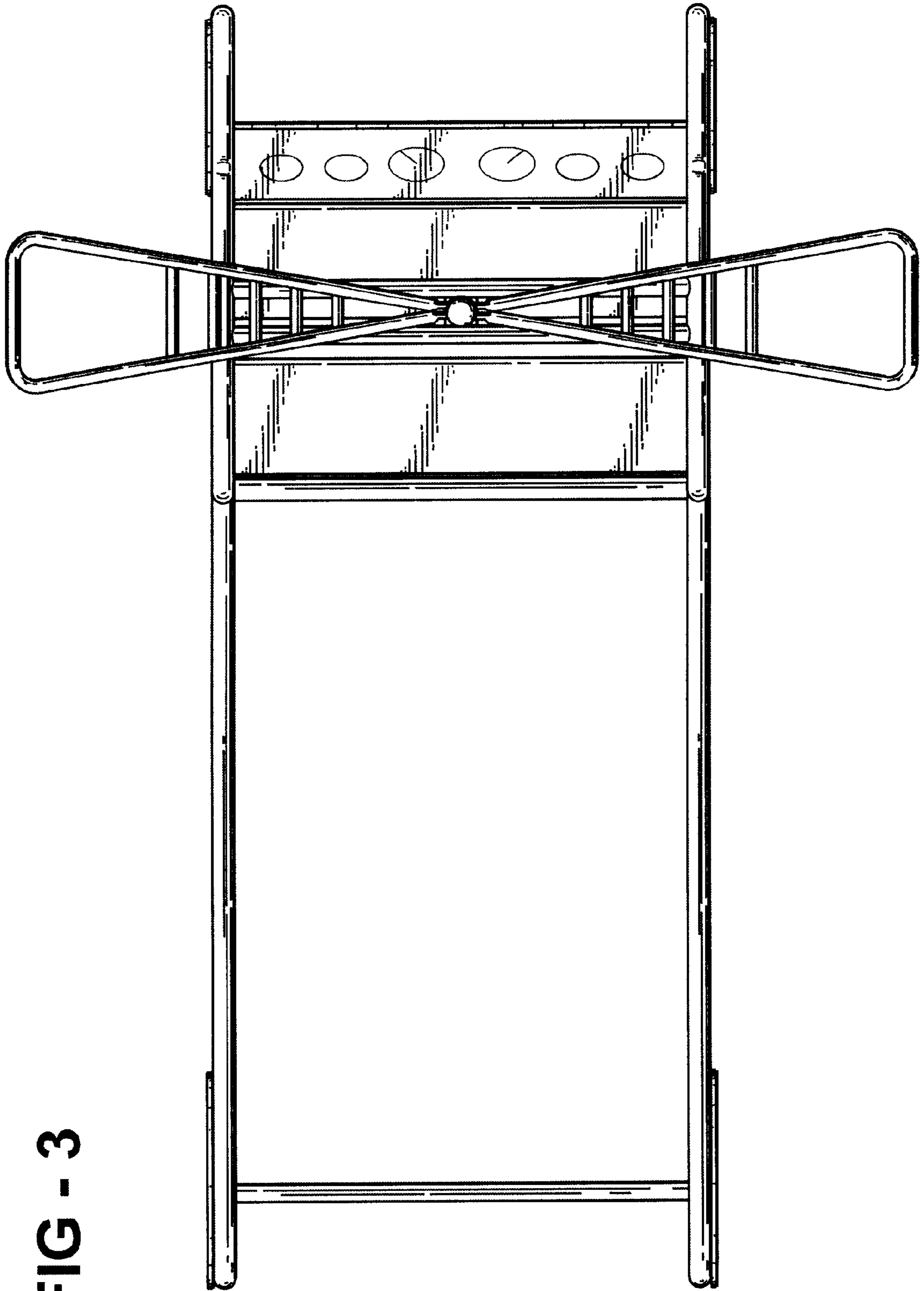


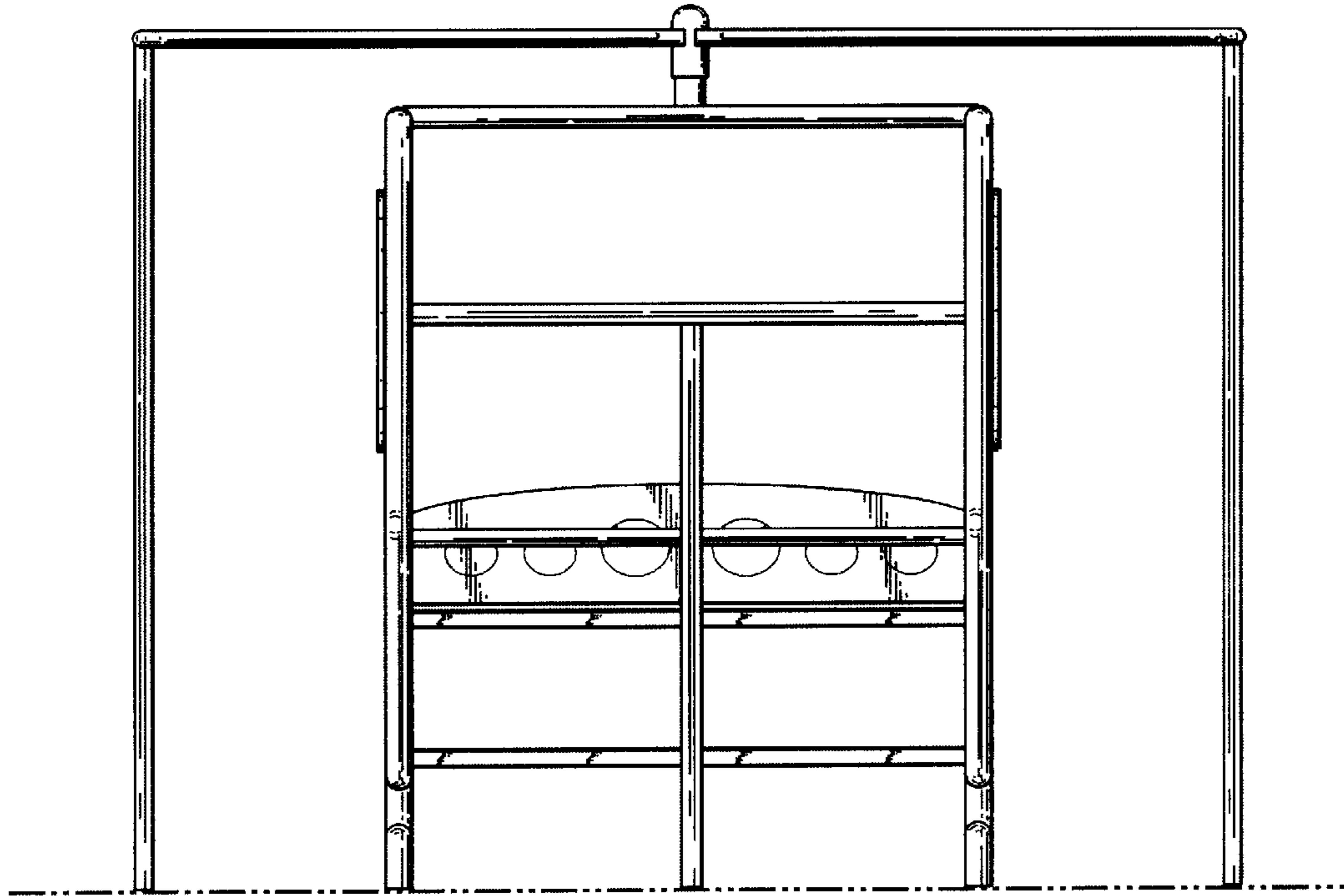
FIG - 2



**FIG - 3**



**FIG - 4**



**FIG - 5**

