



US00D481094S

(12) **United States Design Patent**
Van Deusen

(10) **Patent No.:** **US D481,094 S**

(45) **Date of Patent:** **** Oct. 21, 2003**

(54) **SPACE SHUTTLE PLAY STRUCTURE**

(75) **Inventor:** **Gary Van Deusen, Hillsdale, MI (US)**

(73) **Assignee:** **The Shane Group, Hillsdale, MI (US)**

(**) **Term:** **14 Years**

(21) **Appl. No.:** **29/170,513**

(22) **Filed:** **Nov. 7, 2002**

(51) **LOC (7) Cl.** **21-03**

(52) **U.S. Cl.** **D21/820; D21/827**

(58) **Field of Search** **D21/811, 814,**
D21/818-827; 482/35, 36; 472/116, 117

(56) **References Cited**

U.S. PATENT DOCUMENTS

D189,581 S	*	1/1961	Williams	D21/818
D191,749 S	*	11/1961	Haubert	D21/827
D194,214 S	*	12/1962	Shepard	D21/827
D195,633 S	*	7/1963	Haubert	D21/827
D200,478 S	*	3/1965	Haubert	D21/820
D211,588 S	*	7/1968	Zick	D21/827
D212,193 S	*	9/1968	Ruby	D21/827
D222,781 S	*	12/1971	Johnson	D21/827
D223,674 S	*	5/1972	Johnson	D21/827
D225,072 S	*	11/1972	Henning et al.	D21/827
D225,073 S	*	11/1972	Henning et al.	D21/827
D226,318 S	*	2/1973	Henning et al.	D21/827
D235,901 S	*	7/1975	Zick	D21/827
D236,276 S	*	8/1975	Rudy	D21/827

D250,783 S	*	1/1979	Dieter et al.	29/170
D257,875 S	*	1/1981	Rudy	D21/827
D281,893 S	*	12/1985	Addleman	D21/827
D361,116 S	*	8/1995	Shaneour	D21/821
D440,623 S	*	4/2001	Gardner et al.	D21/827
D468,386 S	*	1/2003	Frank	D21/818

* cited by examiner

Primary Examiner—Mitchell Siegel

(74) *Attorney, Agent, or Firm*—Young & Basile, P.C.

(57) **CLAIM**

The ornamental design for a space shuttle play structure, as shown and described.

DESCRIPTION

FIG. 1 is a perspective view of the space shuttle play structure;

FIG. 2 is a top plan view of the space shuttle play structure of FIG. 1;

FIG. 3 is a front plan view of the space shuttle play structure of FIG. 1;

FIG. 4 is a rear plan view of the space shuttle play structure of FIG. 1;

FIG. 5 is a plan side view of the space shuttle play structure of FIG. 1; and,

FIG. 6 is a plan side view of the space shuttle play structure of FIG. 1.

The broken line showing of environment is for illustrative purposes only and forms no part of the claimed design.

1 Claim, 5 Drawing Sheets

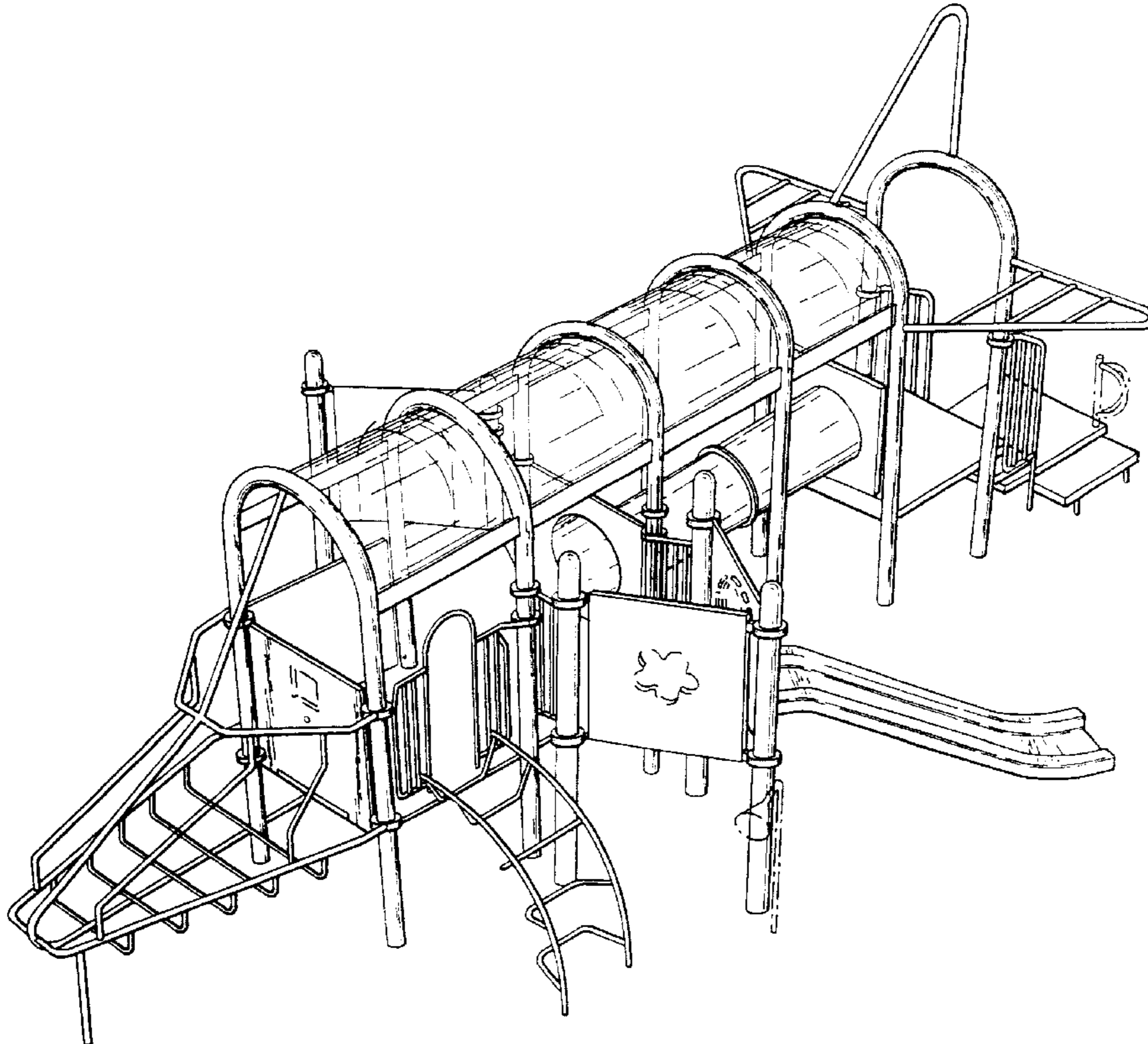


FIG - 1

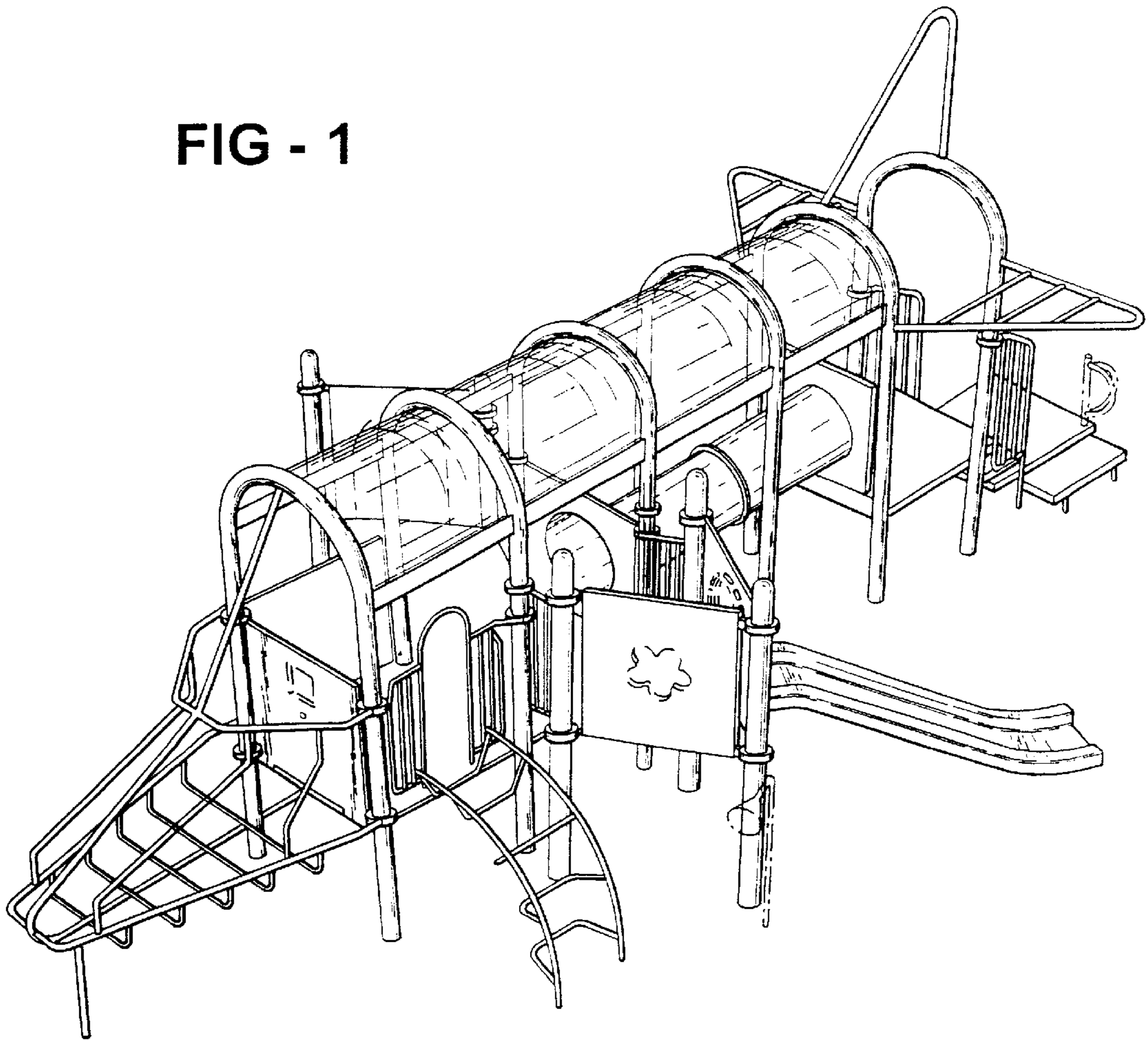


FIG - 2

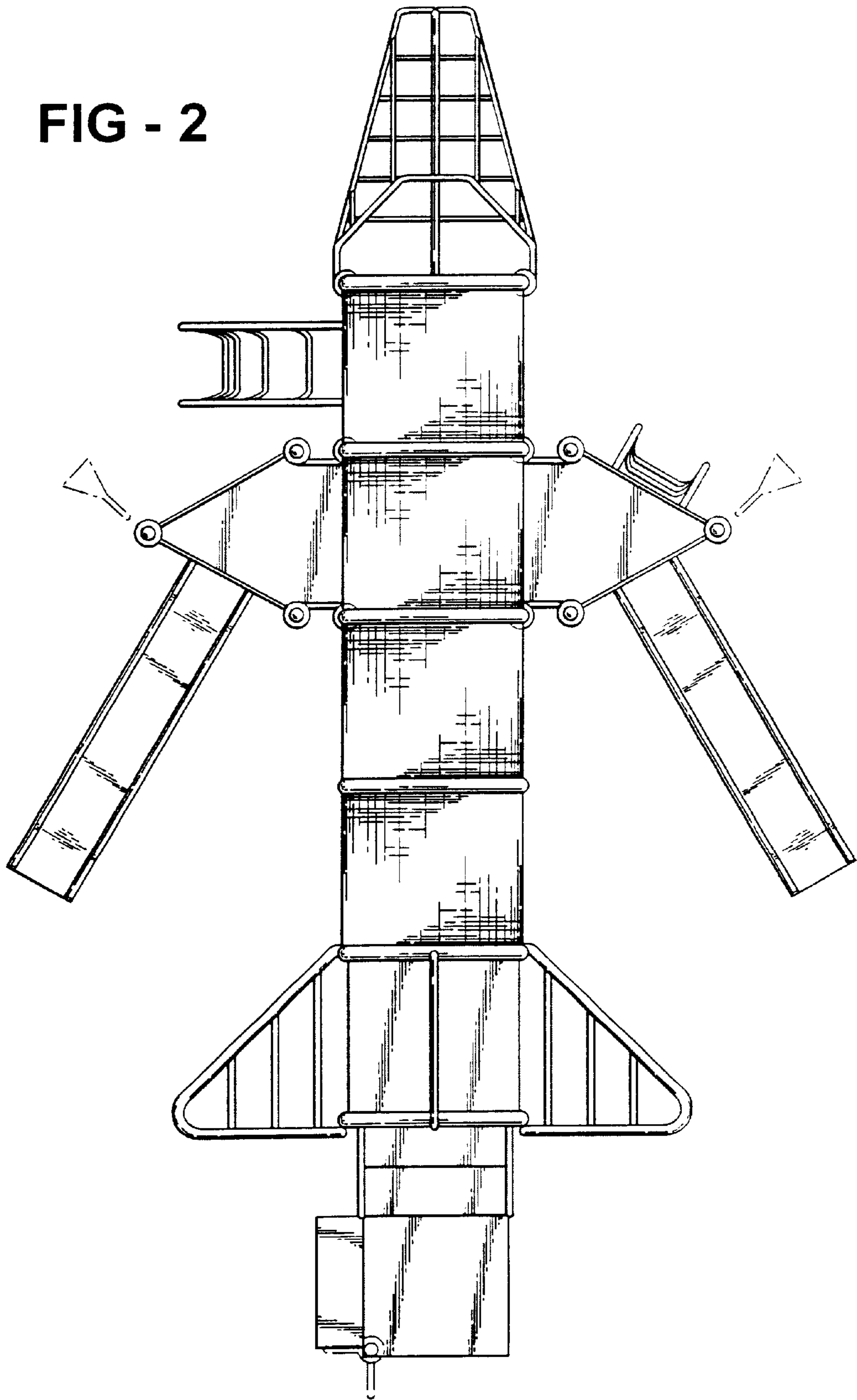


FIG - 3

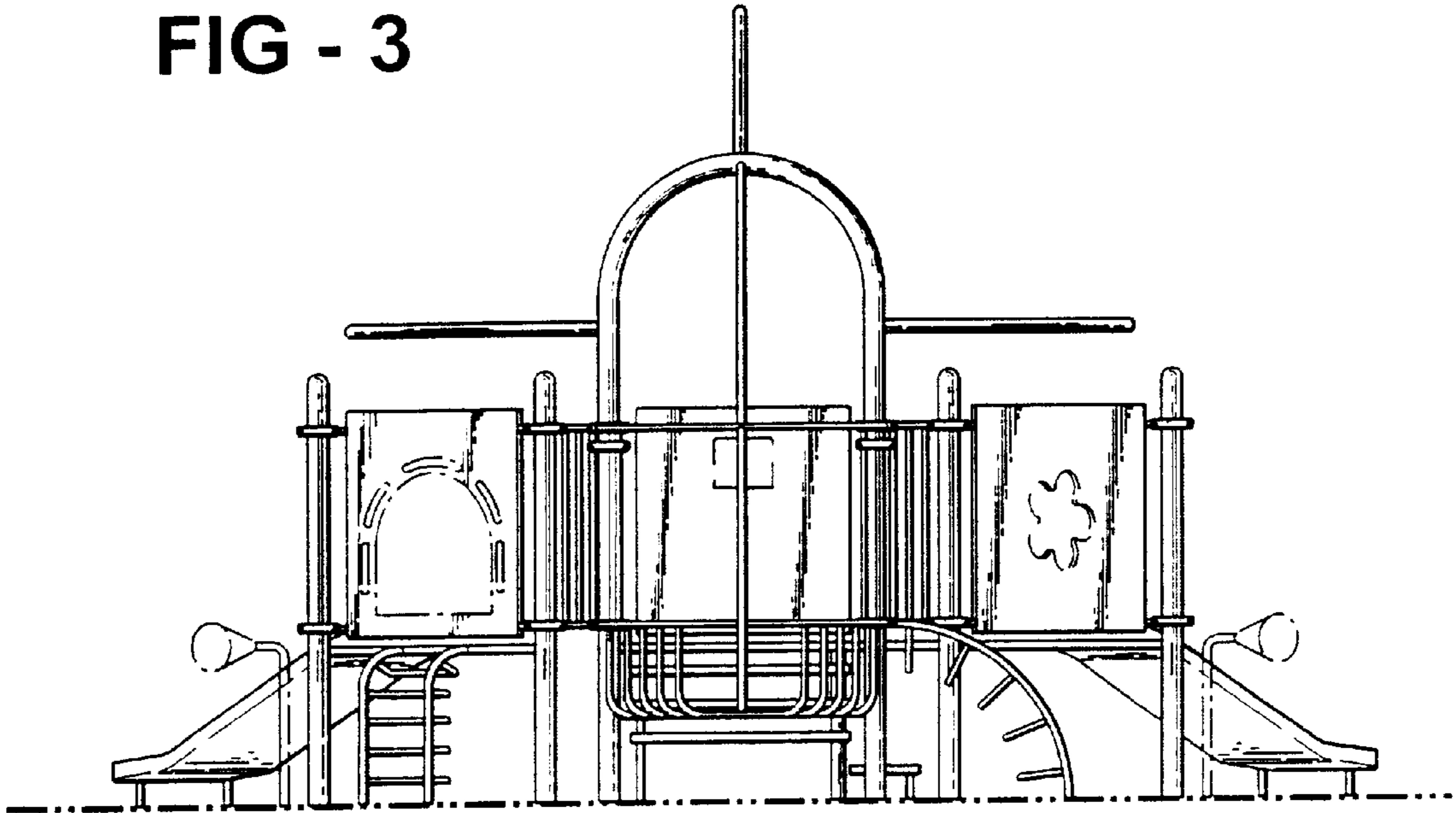


FIG - 4

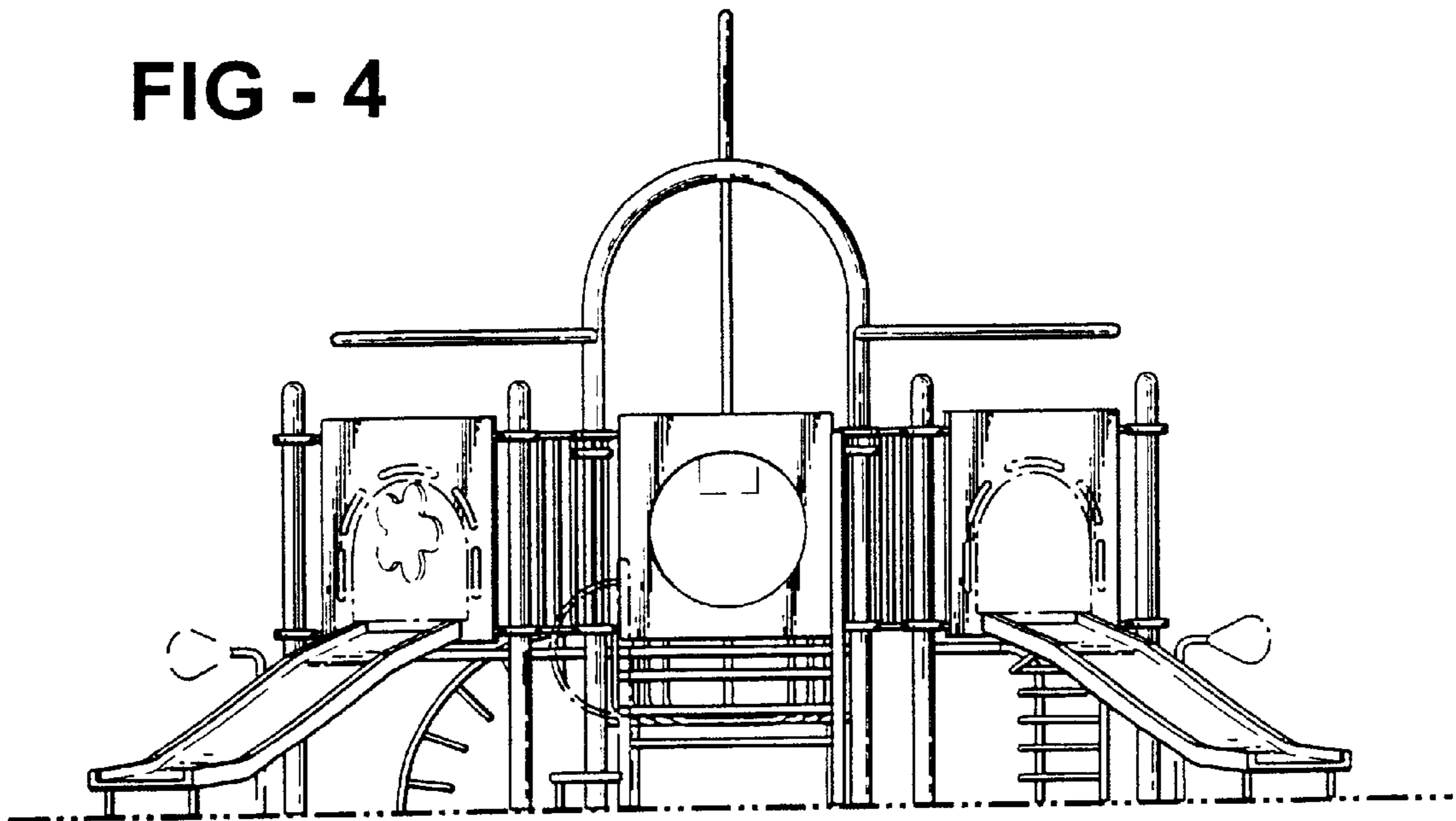


FIG - 5

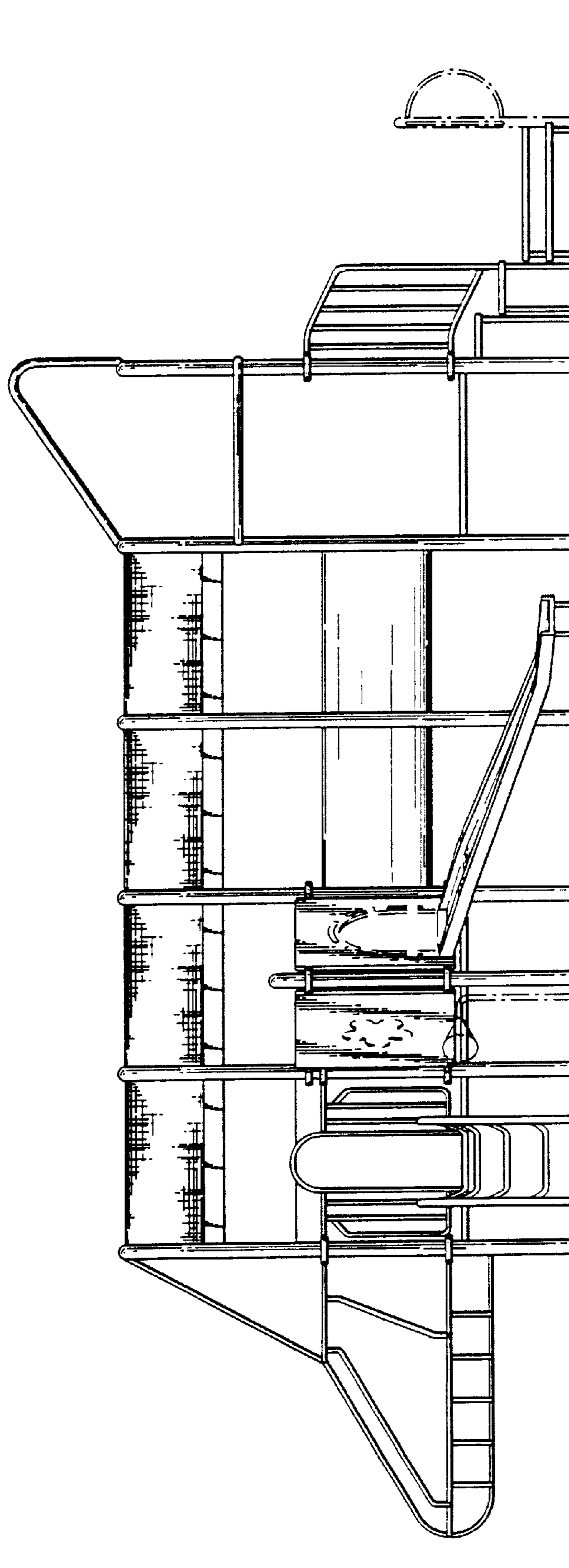


FIG - 6

