



US00D481092S

(12) **United States Design Patent**  
**Ray**

(10) **Patent No.:** **US D481,092 S**

(45) **Date of Patent:** **\*\* Oct. 21, 2003**

(54) **PRACTICE PUTTING CUP**

(76) **Inventor:** **Sam W. Ray**, 3625 Golfing Green Dr.,  
Dallas, TX (US) 75234

(\*\*) **Term:** **14 Years**

(21) **Appl. No.:** **29/169,084**

(22) **Filed:** **Oct. 15, 2002**

(51) **LOC (7) Cl.** ..... **21-02**

(52) **U.S. Cl.** ..... **D21/791**

(58) **Field of Search** ..... D21/789, 791;  
473/173, 176, 180, 183, 185, 251

(56) **References Cited**

**U.S. PATENT DOCUMENTS**

D400,631 S	*	11/1998	Moore	.....	D21/791
D405,144 S	*	2/1999	Crum	.....	D21/789
D409,704 S	*	5/1999	Nunes	.....	D21/791
D411,601 S	*	6/1999	Fong	.....	D21/791
D423,621 S	*	4/2000	Holtby	.....	D21/791
D460,798 S	*	7/2002	Tamanaha	.....	D21/791

\* cited by examiner

*Primary Examiner*—Mitchell Siegel

(74) *Attorney, Agent, or Firm*—Jack A. Kanz

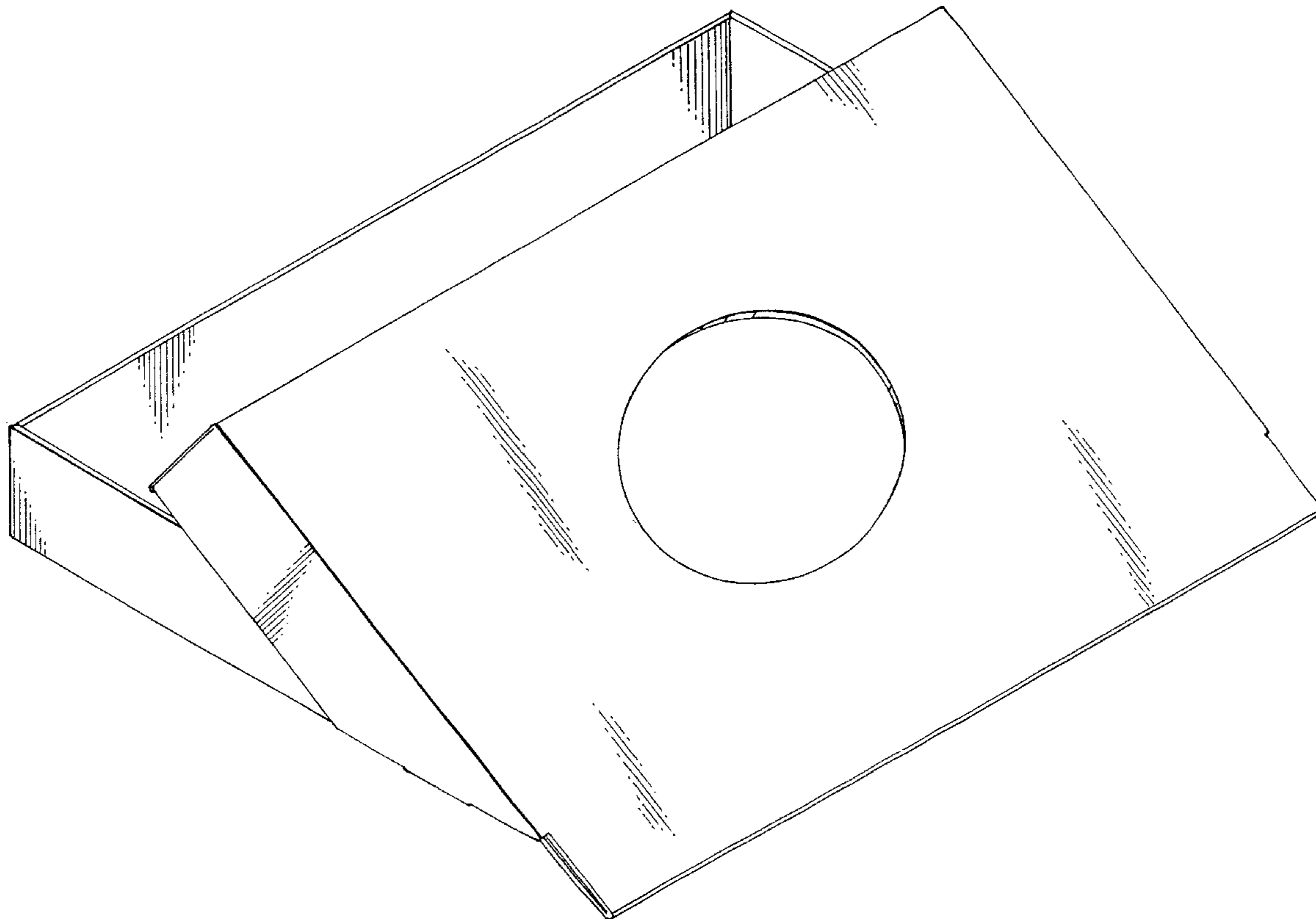
(57) **CLAIM**

The ornamental design for a practice putting cup, as shown and described.

**DESCRIPTION**

FIG. 1 is a perspective view of a practice putting cup in the open position showing my new design;  
 FIG. 2 is a side elevational view thereof, the opposite side view being a mirror image of FIG. 2;  
 FIG. 3 is a bottom plan view thereof; and  
 FIG. 4 is a rear elevational view thereof.  
 FIG. 5 is a perspective view of a practice putting cup showing my new design in the closed position;  
 FIG. 6 is a side elevational view of the roof, the opposite side view being a mirror image of FIG. 6;  
 FIG. 7 is a bottom plan view thereof; and,  
 FIG. 8 is a rear elevational view of my practice putting cup in the closed position.

**1 Claim, 5 Drawing Sheets**



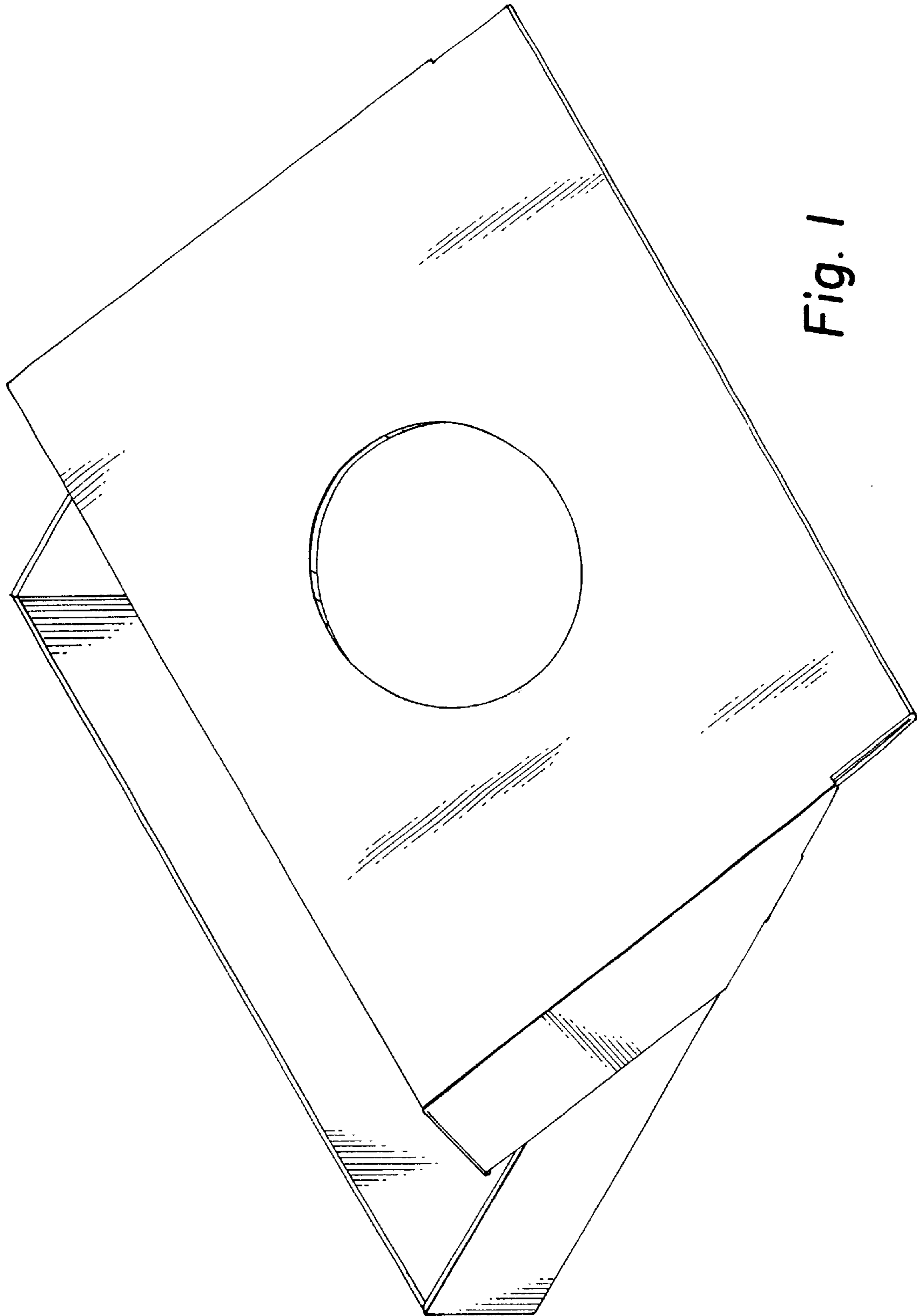
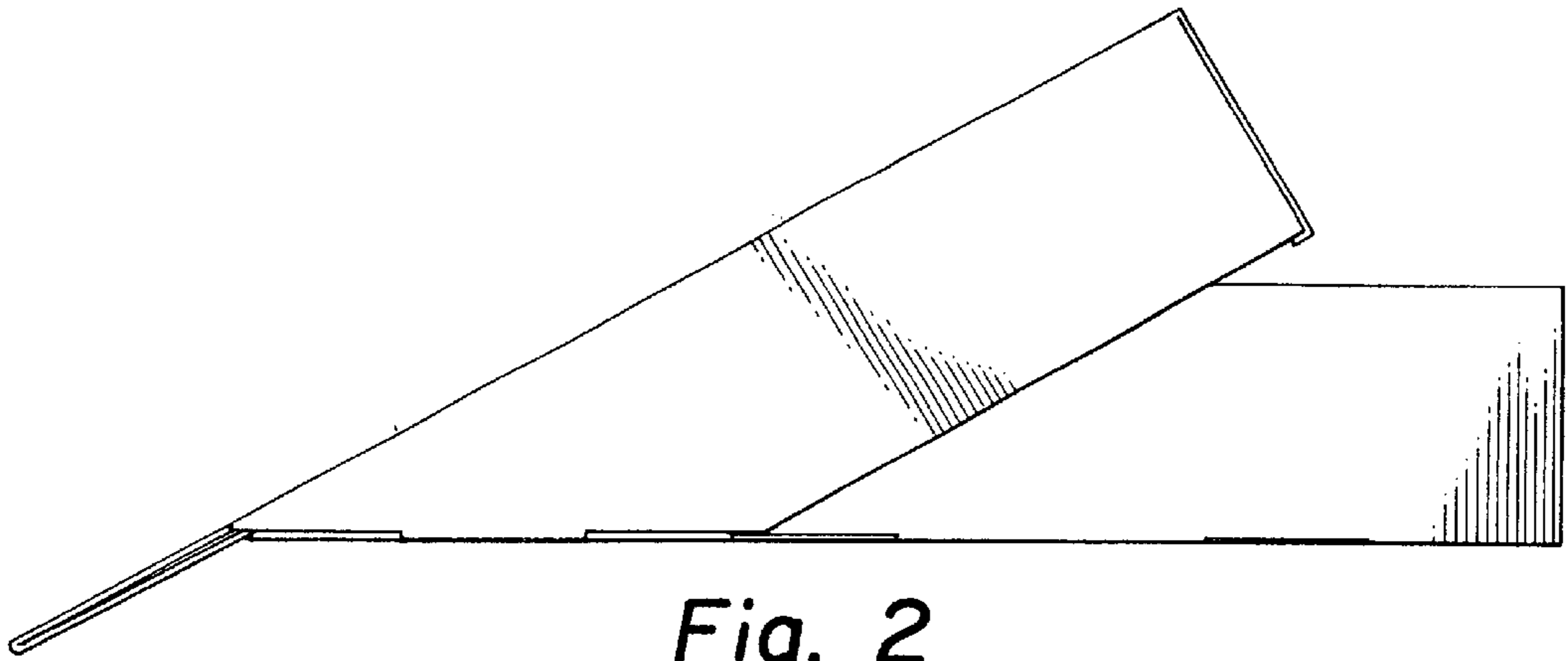
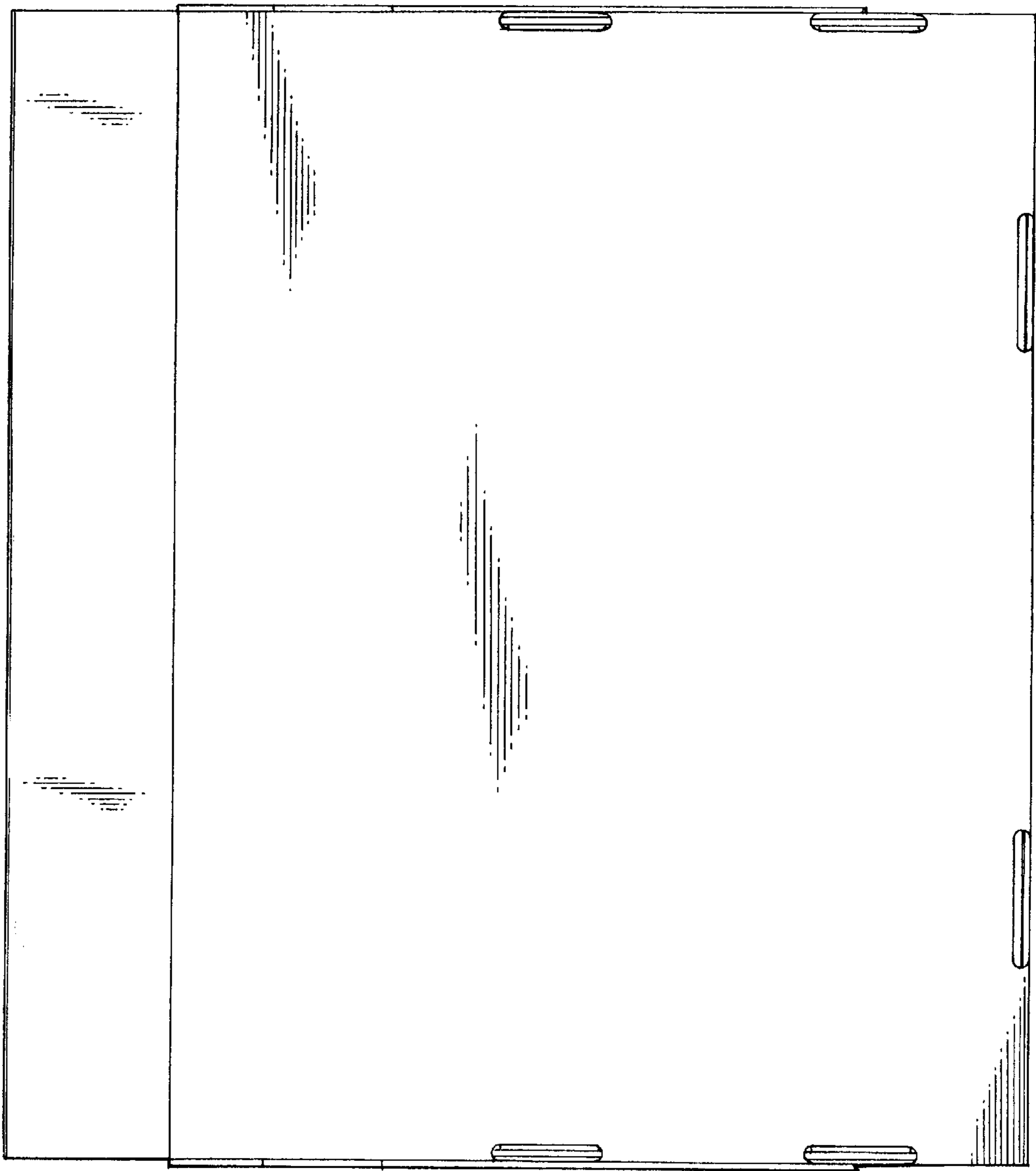


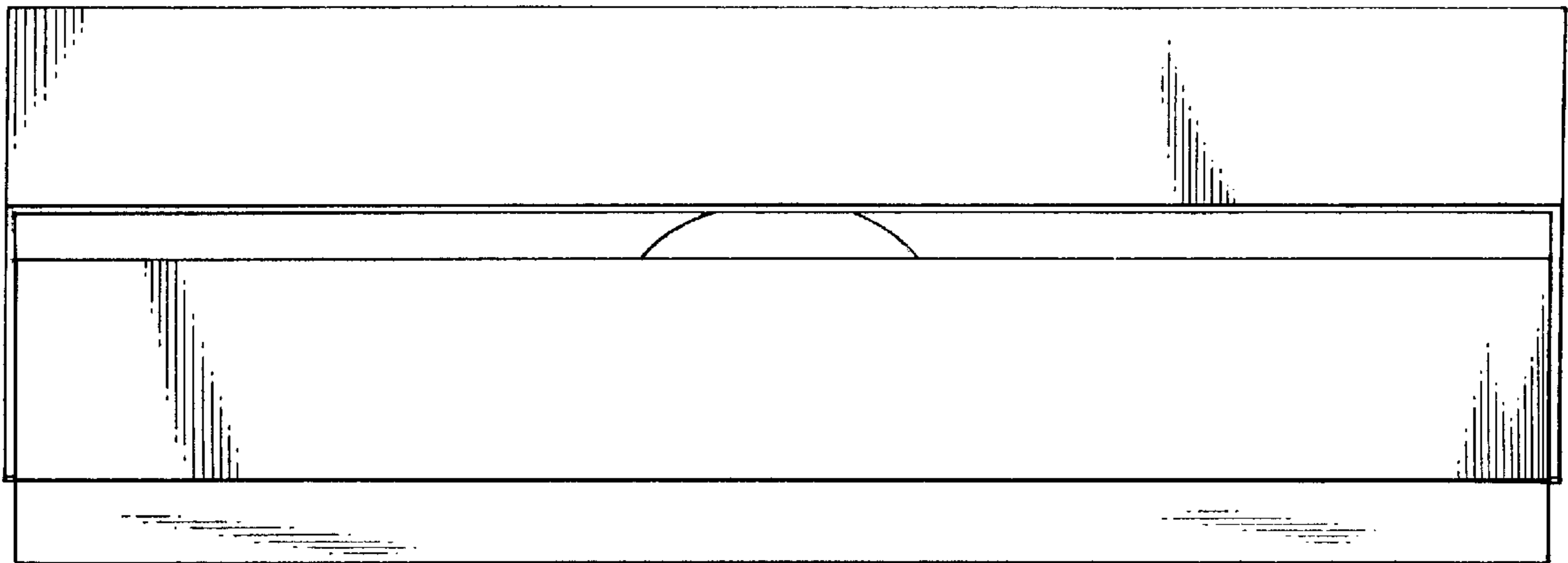
Fig. 1



*Fig. 2*



*Fig. 3*



*Fig. 4*

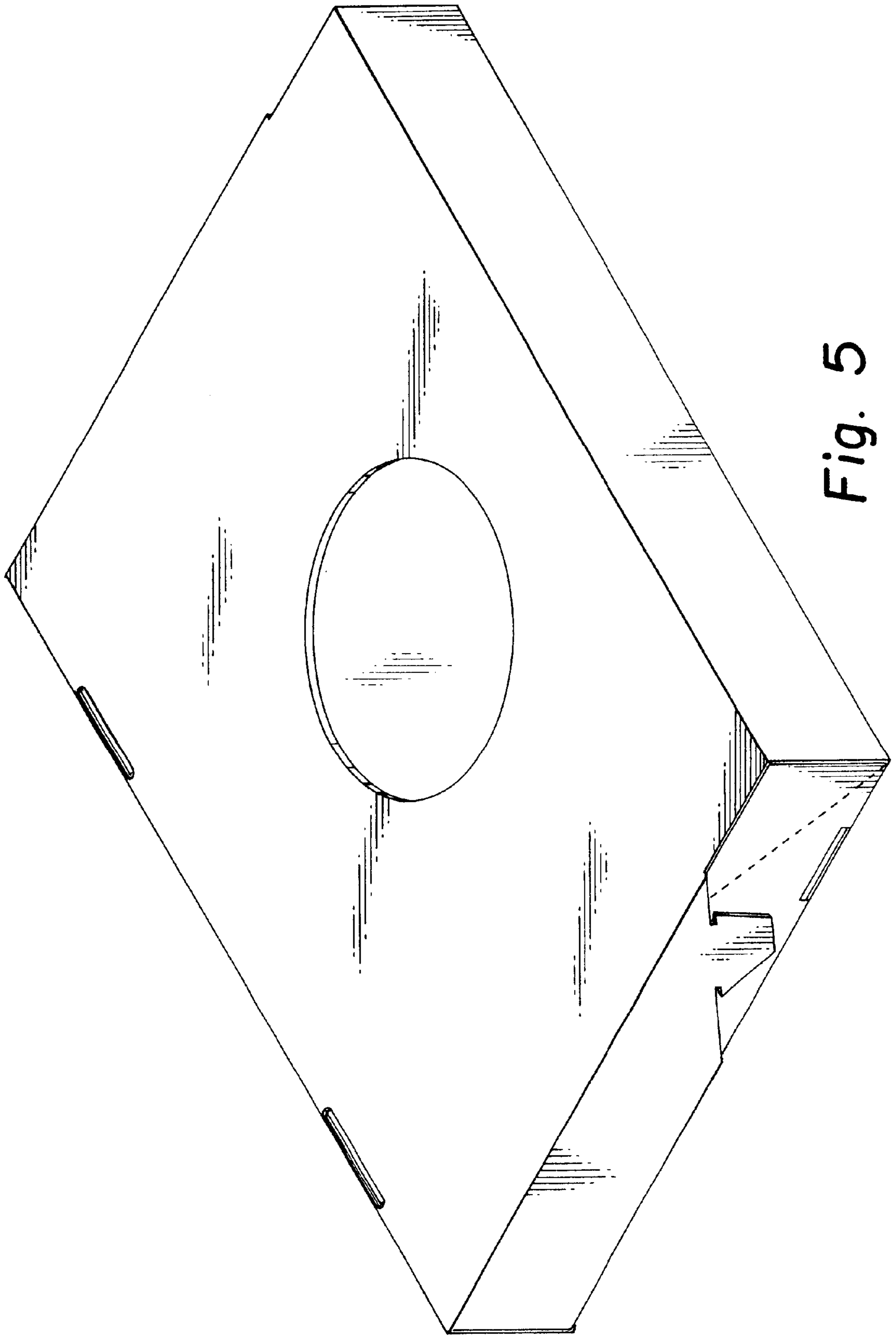
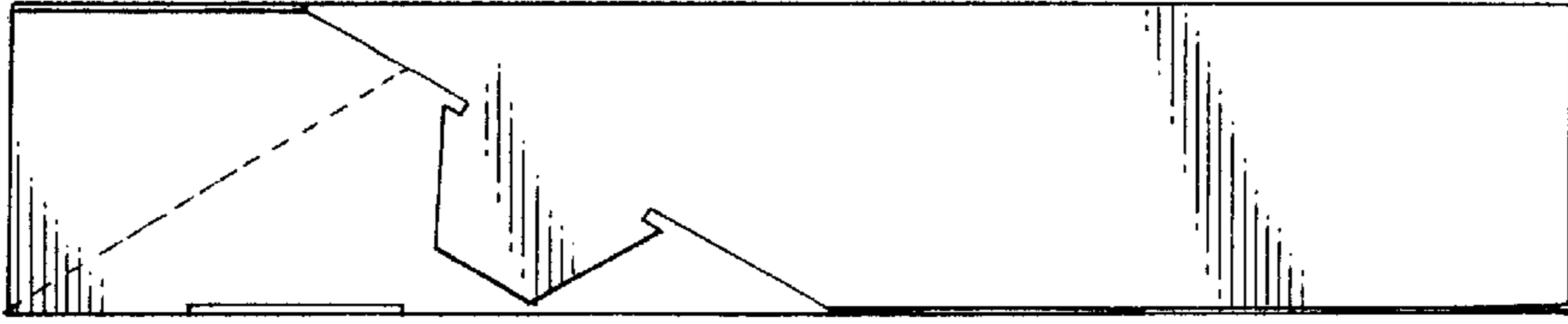
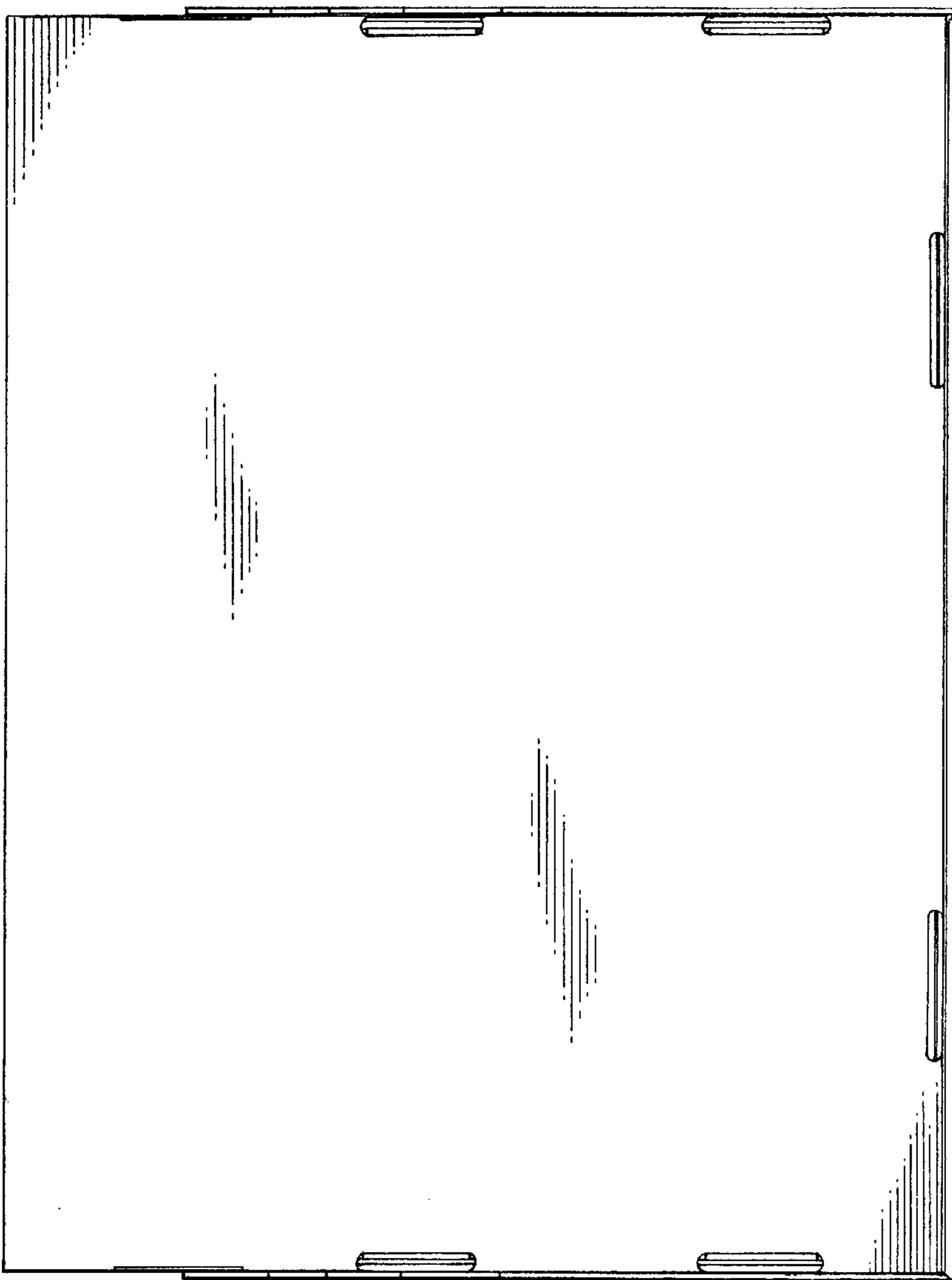


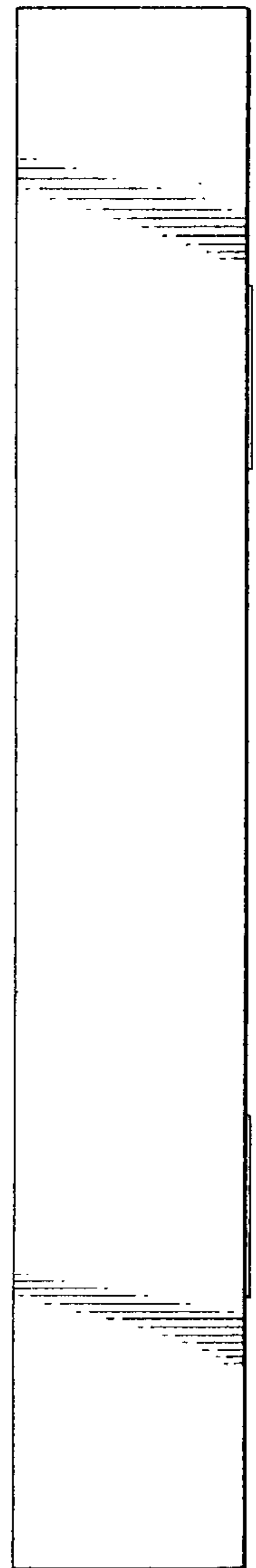
Fig. 5



*Fig. 6*



*Fig. 7*



*Fig. 8*