



US00D481089S

(12) **United States Design Patent**
Breier et al.

(10) **Patent No.:** **US D481,089 S**

(45) **Date of Patent:** **** Oct. 21, 2003**

(54) **PUTTER HEAD**

(75) Inventors: **Joshua G. Breier**, Vista, CA (US);
Robert R. Lang, Escondido, CA (US);
Richard C. Helmstetter, Rancho Santa
Fe, CA (US); **Augustin W. Rollinson**,
Carlsbad, CA (US)

(73) Assignee: **Callaway Golf Company**, Carlsbad,
CA (US)

(**) Term: **14 Years**

(21) Appl. No.: **29/181,862**

(22) Filed: **May 15, 2003**

(51) **LOC (7) Cl.** **21-02**

(52) **U.S. Cl.** **D21/738**

(58) **Field of Search** D21/736-746;
473/324-331, 340-341, 251-256

- D457,586 S 5/2002 Tang et al.
- D458,656 S 6/2002 Tang et al.
- D461,514 S 8/2002 Tang et al.
- D461,515 S 8/2002 Tang et al.
- D461,860 S 8/2002 Tang
- D461,861 S 8/2002 Tang et al.
- D463,002 S 9/2002 Tang et al.
- D467,985 S 12/2002 Tang et al.
- D470,904 S 2/2003 Tang et al.
- D471,245 S 3/2003 Tang et al.
- D472,594 S 4/2003 Tang et al.
- D472,595 S 4/2003 Tang et al.

* cited by examiner

Primary Examiner—Mitchell Siegel

(74) *Attorney, Agent, or Firm*—Michael A. Catania; Elaine
H. Lo

(57) **CLAIM**

The ornamental design for a putter head, as shown and
described.

DESCRIPTION

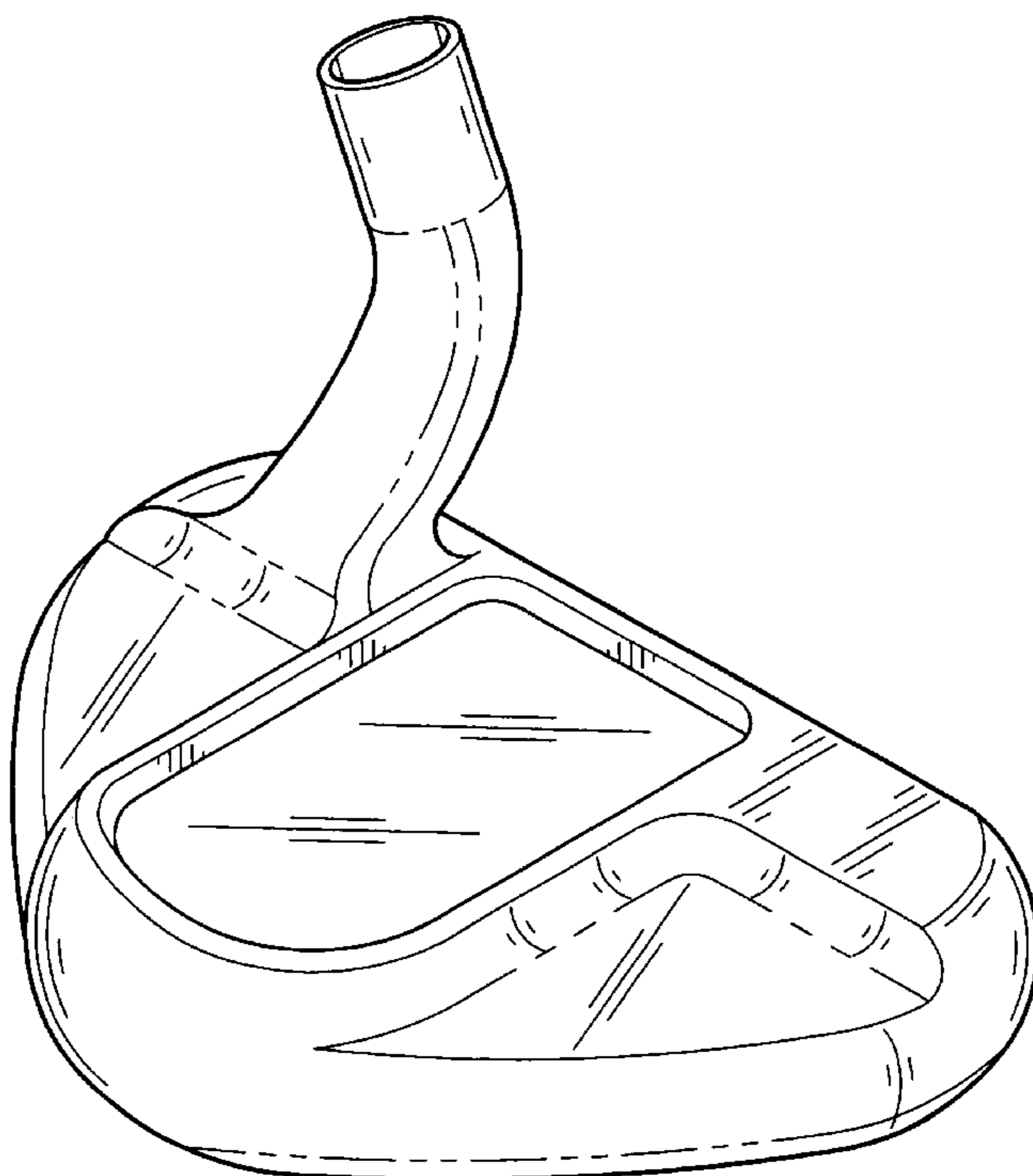
FIG. 1 is a rear perspective view thereof;
FIG. 2 is a top plan view thereof;
FIG. 3 is a toe side view thereof;
FIG. 4 is a back plan view thereof;
FIG. 5 is a heel side view thereof;
FIG. 6 is a front plan view thereof; and,
FIG. 7 is a bottom plan view thereof.
The dashed lines are for illustrative purposes only and form
no part of the claimed design.

(56) **References Cited**

U.S. PATENT DOCUMENTS

- D196,736 S 10/1963 DeCarlo
- D229,204 S 11/1973 Romero
- D241,563 S 9/1976 McCord
- 4,444,395 A 4/1984 Reiss
- 4,688,798 A 8/1987 Pelz
- D309,765 S 8/1990 Pelz
- D309,766 S 8/1990 Pelz
- D317,034 S 5/1991 Pelz
- D317,962 S 7/1991 Pelz
- D399,290 S * 10/1998 Sizemore, Jr. D21/742

1 Claim, 3 Drawing Sheets



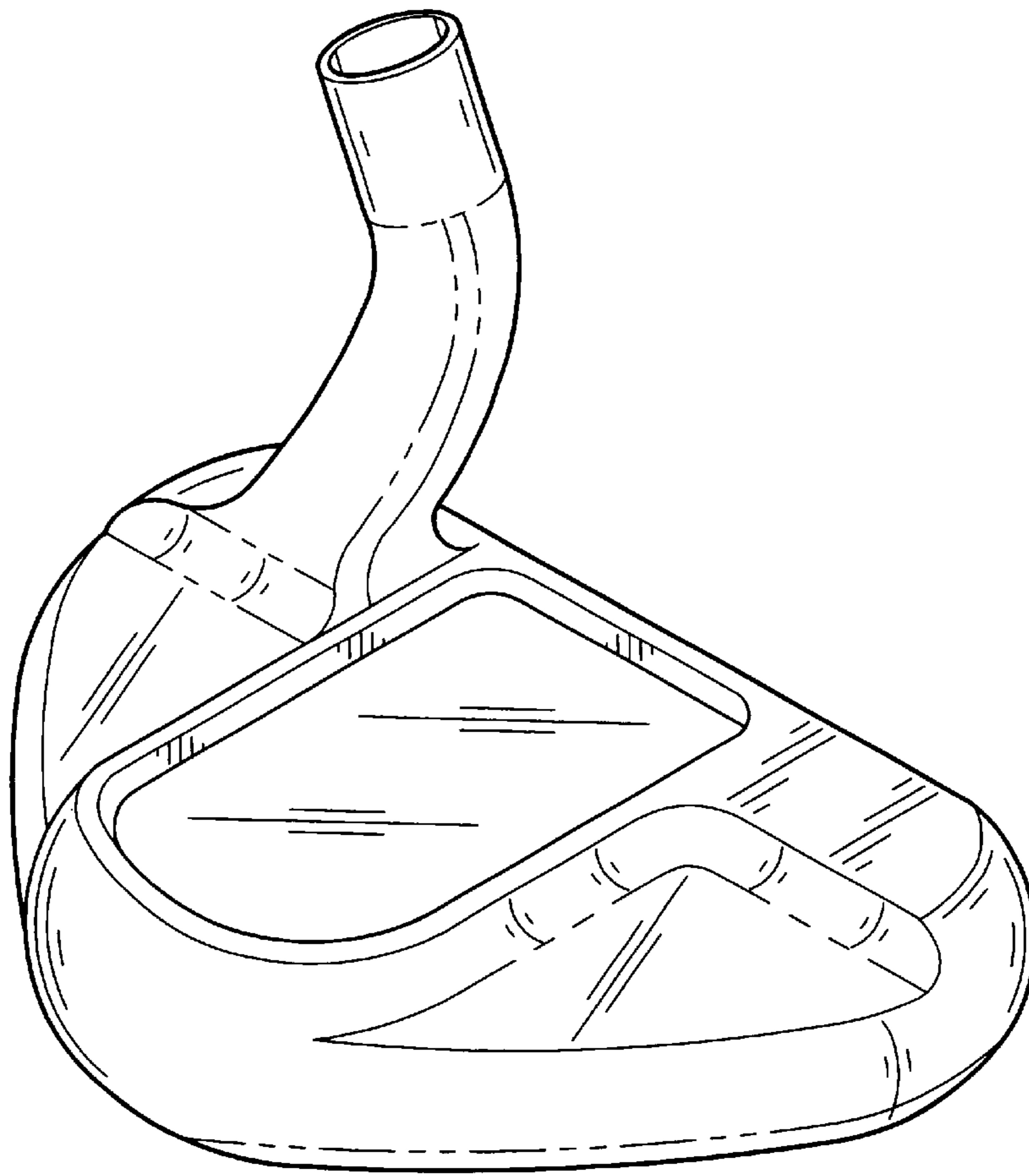


FIG. 1

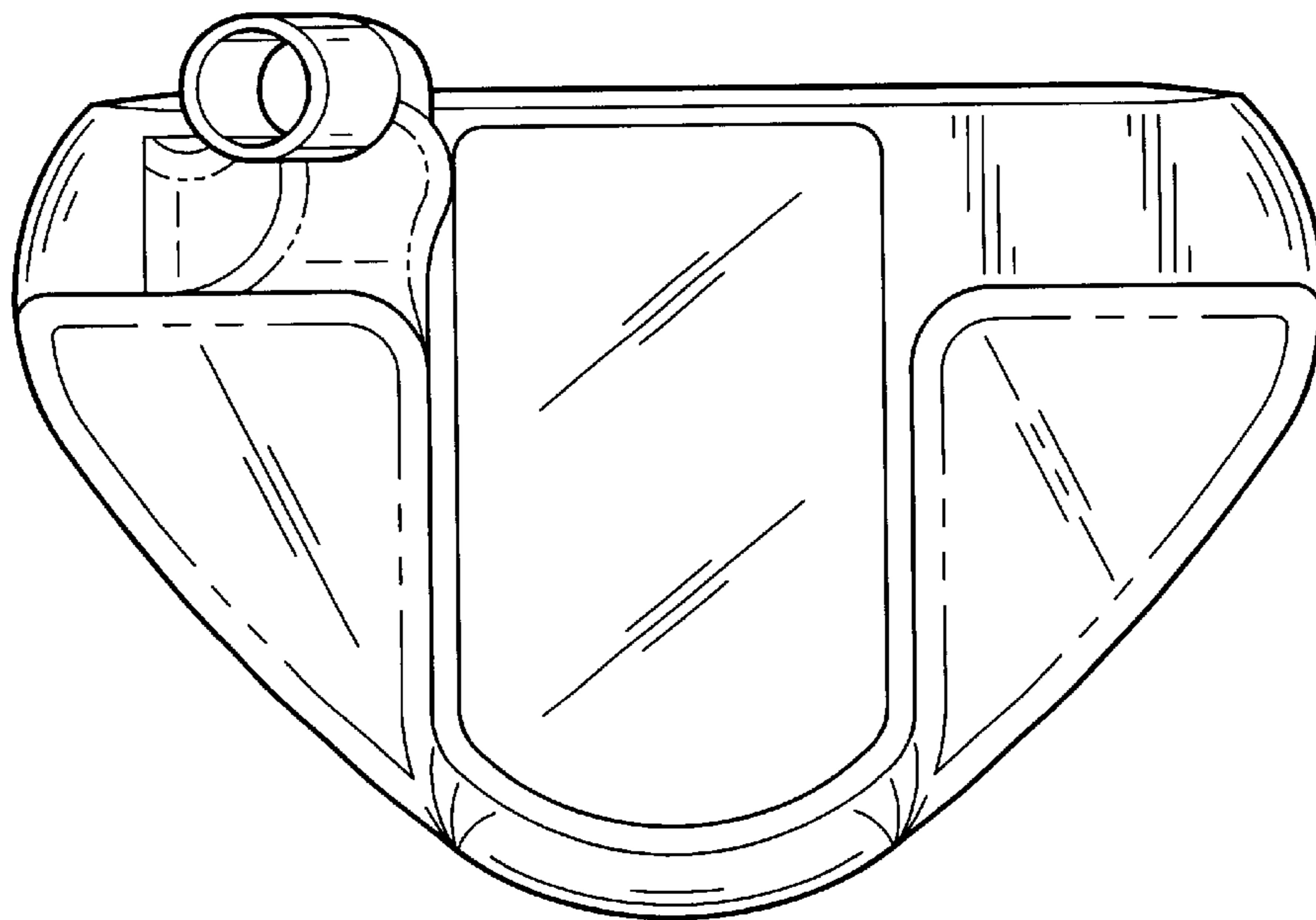


FIG. 2

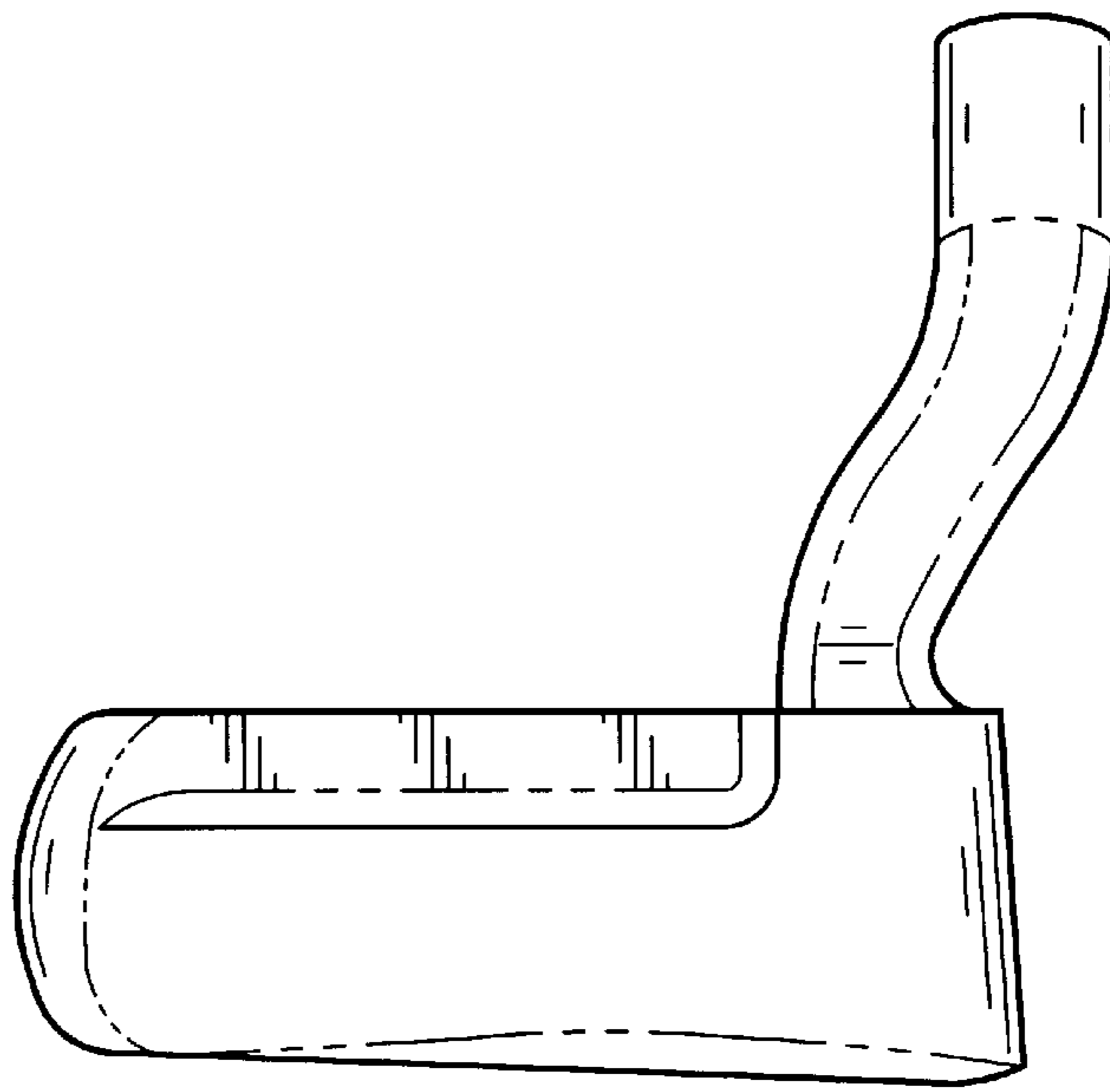


FIG. 3

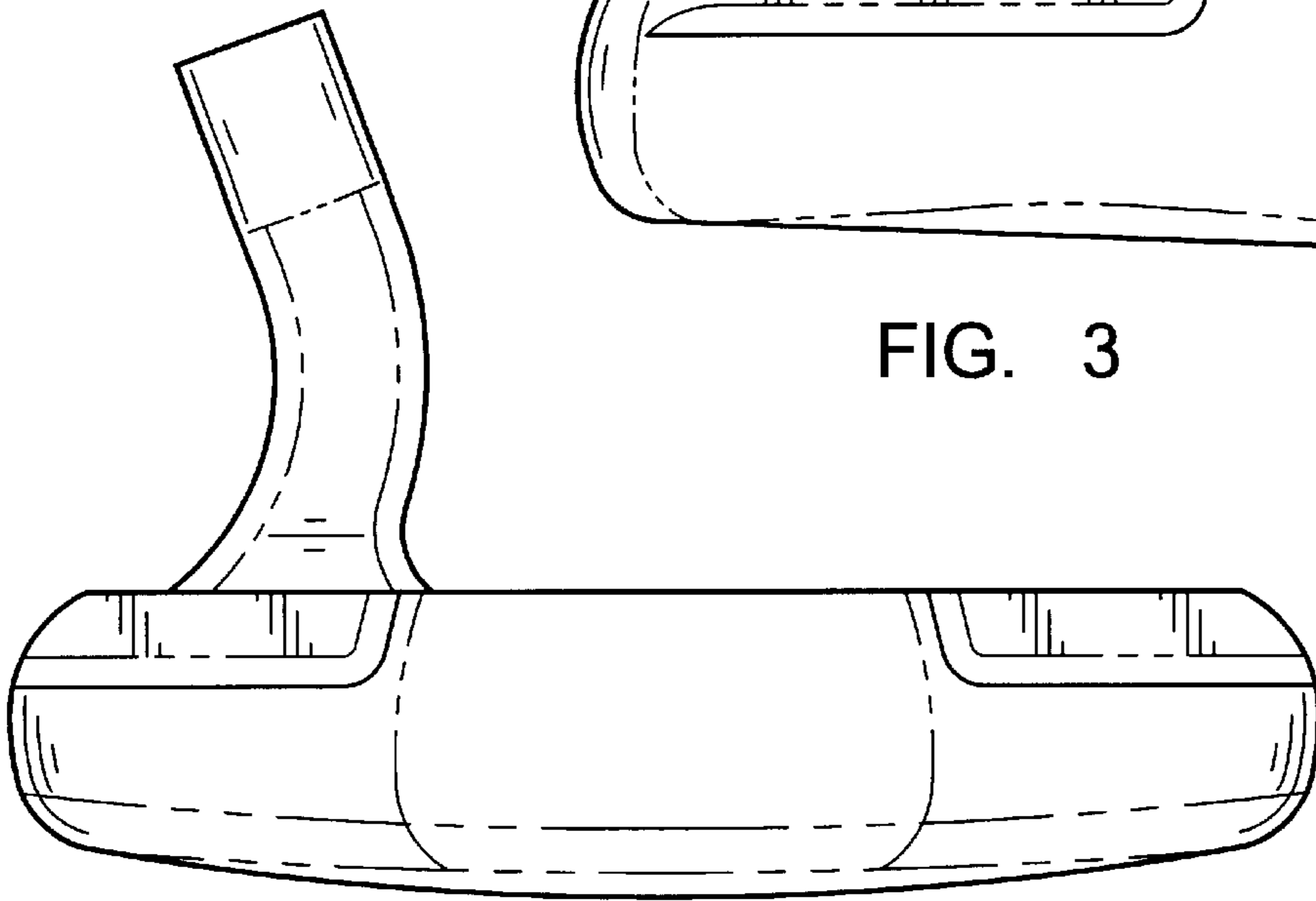


FIG. 4

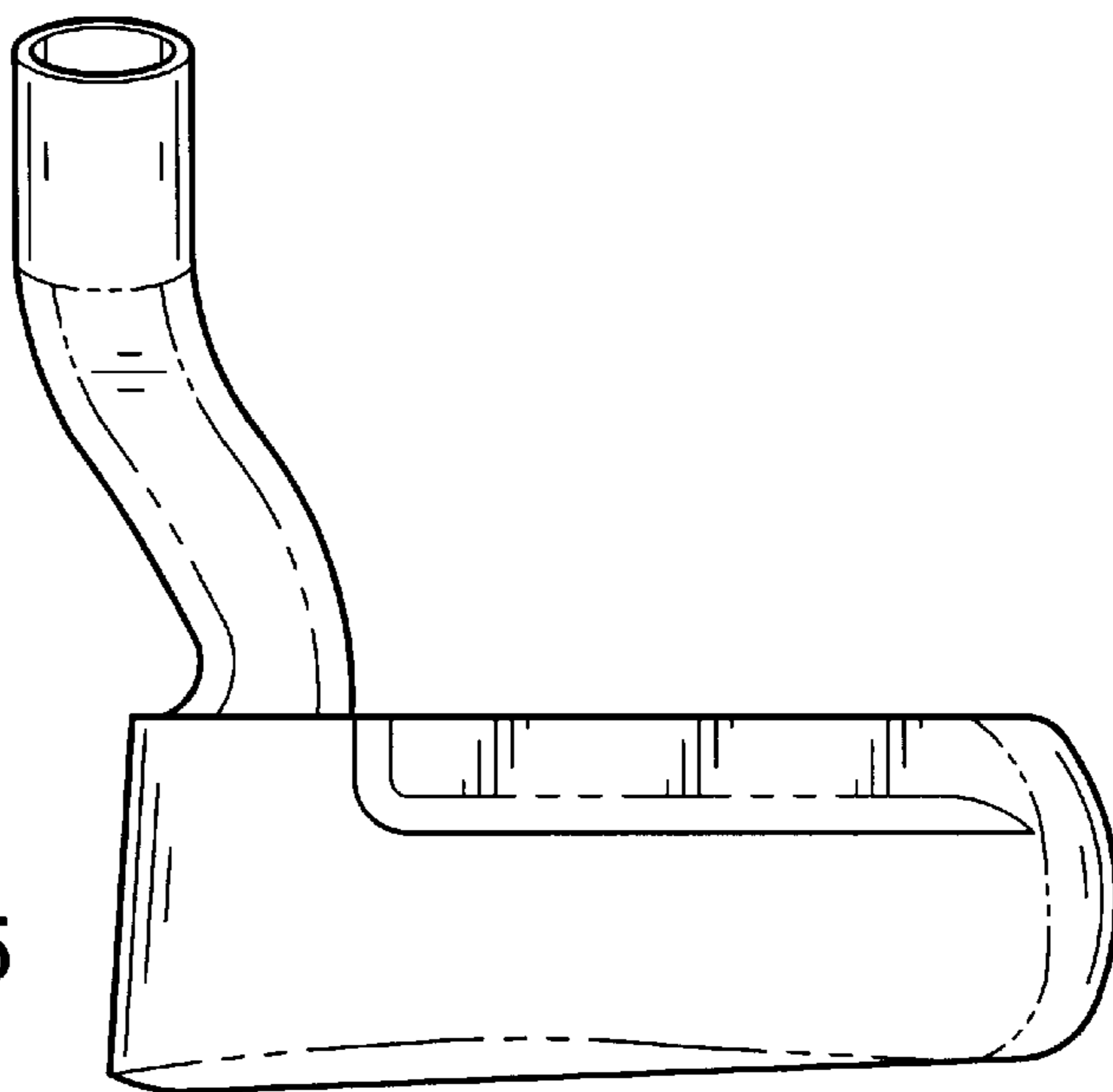


FIG. 5

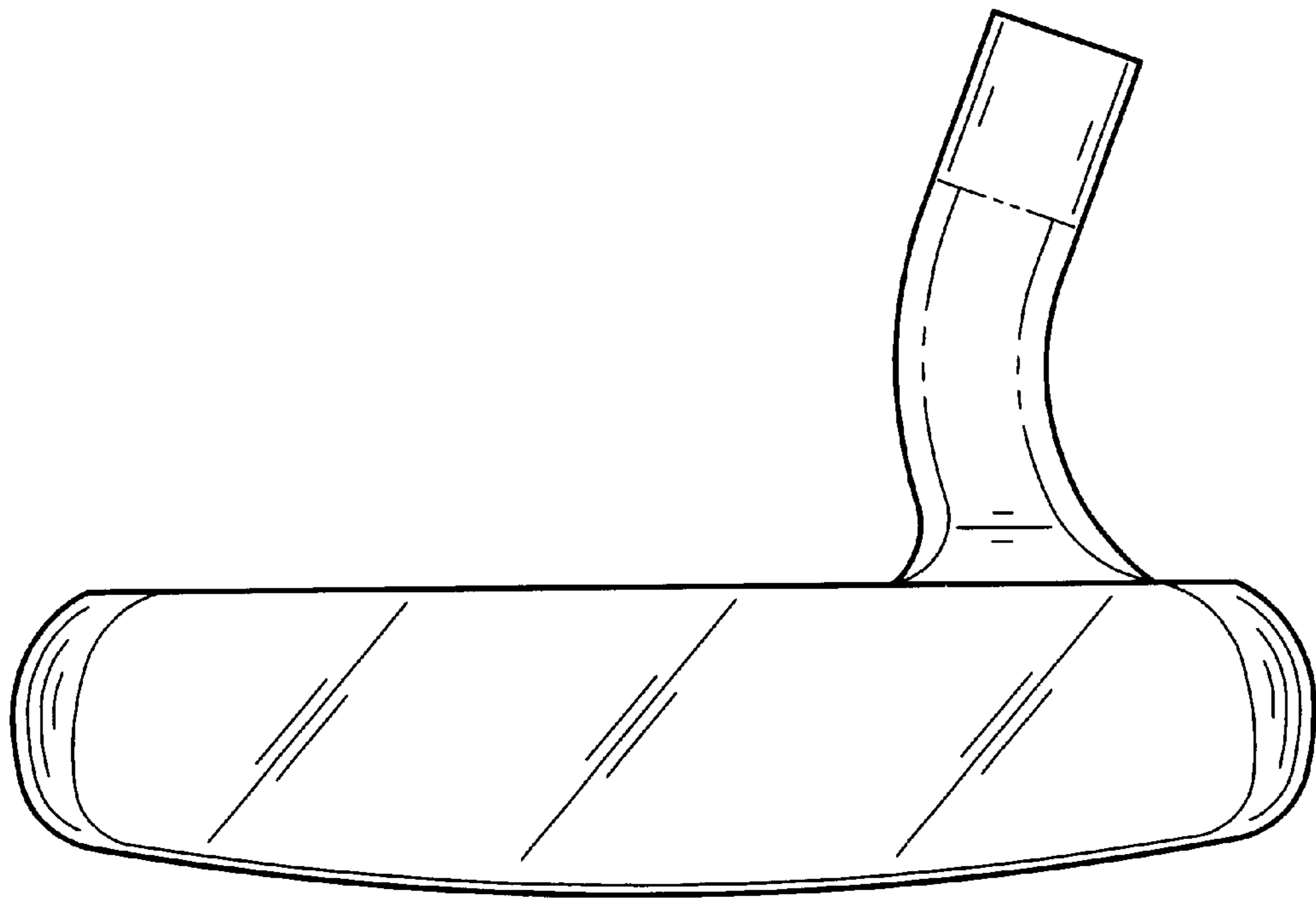


FIG. 6

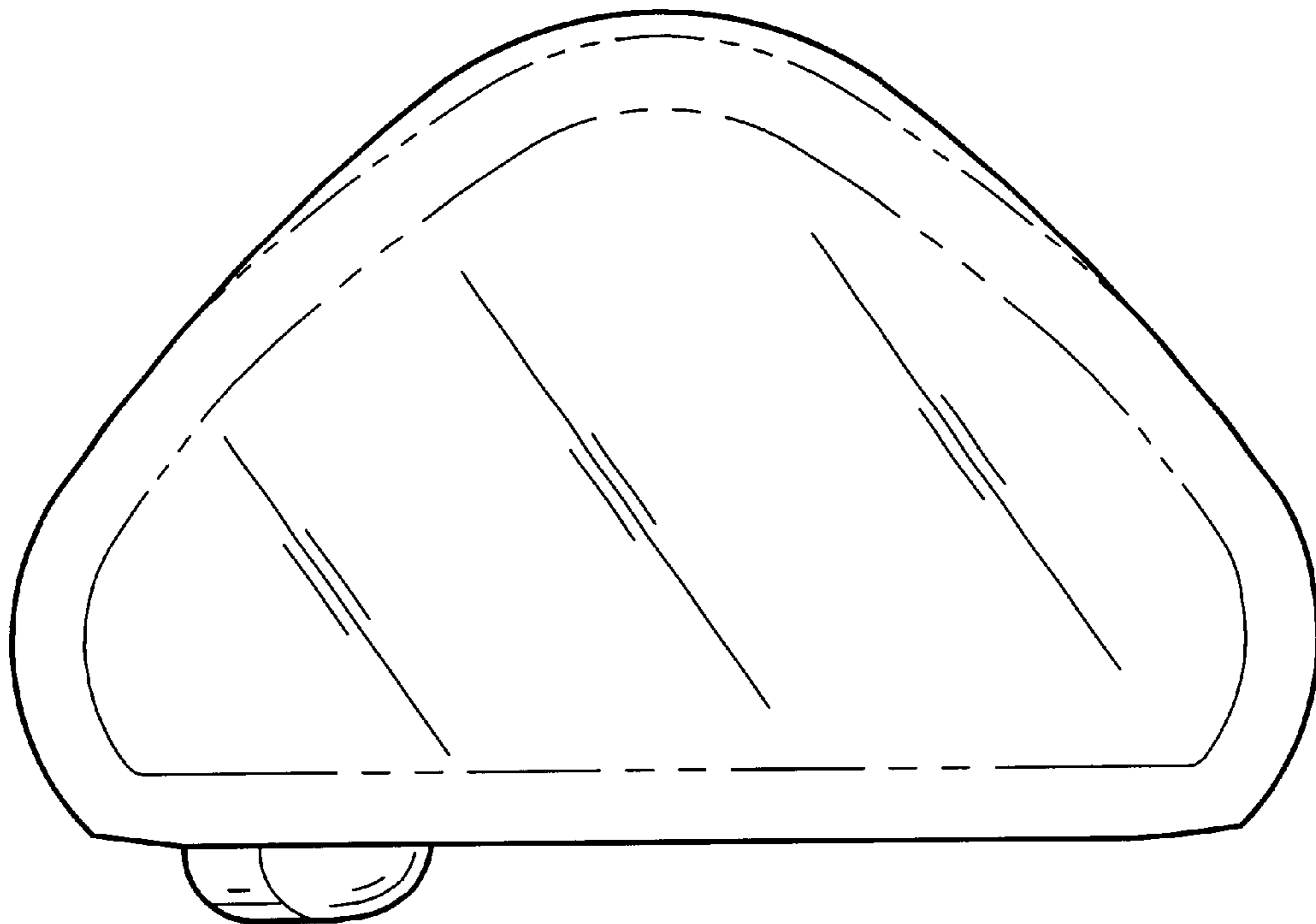


FIG. 7