



US00D481088S

(12) **United States Design Patent**
Mader

(10) **Patent No.:** **US D481,088 S**

(45) **Date of Patent:** **** Oct. 21, 2003**

(54) **GOLF PUTTER HEAD**

(76) Inventor: **Robert J. Mader**, 1218 Arlington Ave.,
Torrance, CA (US) 90501

(**) Term: **14 Years**

(21) Appl. No.: **29/169,083**

(22) Filed: **Oct. 15, 2002**

(51) **LOC (7) Cl.** **21-02**

(52) **U.S. Cl.** **D21/736**

(58) **Field of Search** D21/736-746;
473/251-256, 324, 327-331, 340, 341

(56) **References Cited**

U.S. PATENT DOCUMENTS

D314,031 S * 1/1991 Inuma D21/739

D387,404 S * 12/1997 Tylisz D21/742

D441,041 S * 4/2001 Opie D21/743

* cited by examiner

Primary Examiner—Mitchell Siegel

(74) *Attorney, Agent, or Firm*—Edward A. Sokolski

(57) **CLAIM**

The ornamental design for a golf putter head, as shown and described.

DESCRIPTION

FIG. 1 is a Front Perspective View of the golf putter head showing my new design;

FIG. 2 is a Rear Perspective View thereof;

FIG. 3 is a Front Elevational View thereof;

FIG. 4 is a Bottom Plan View thereof;

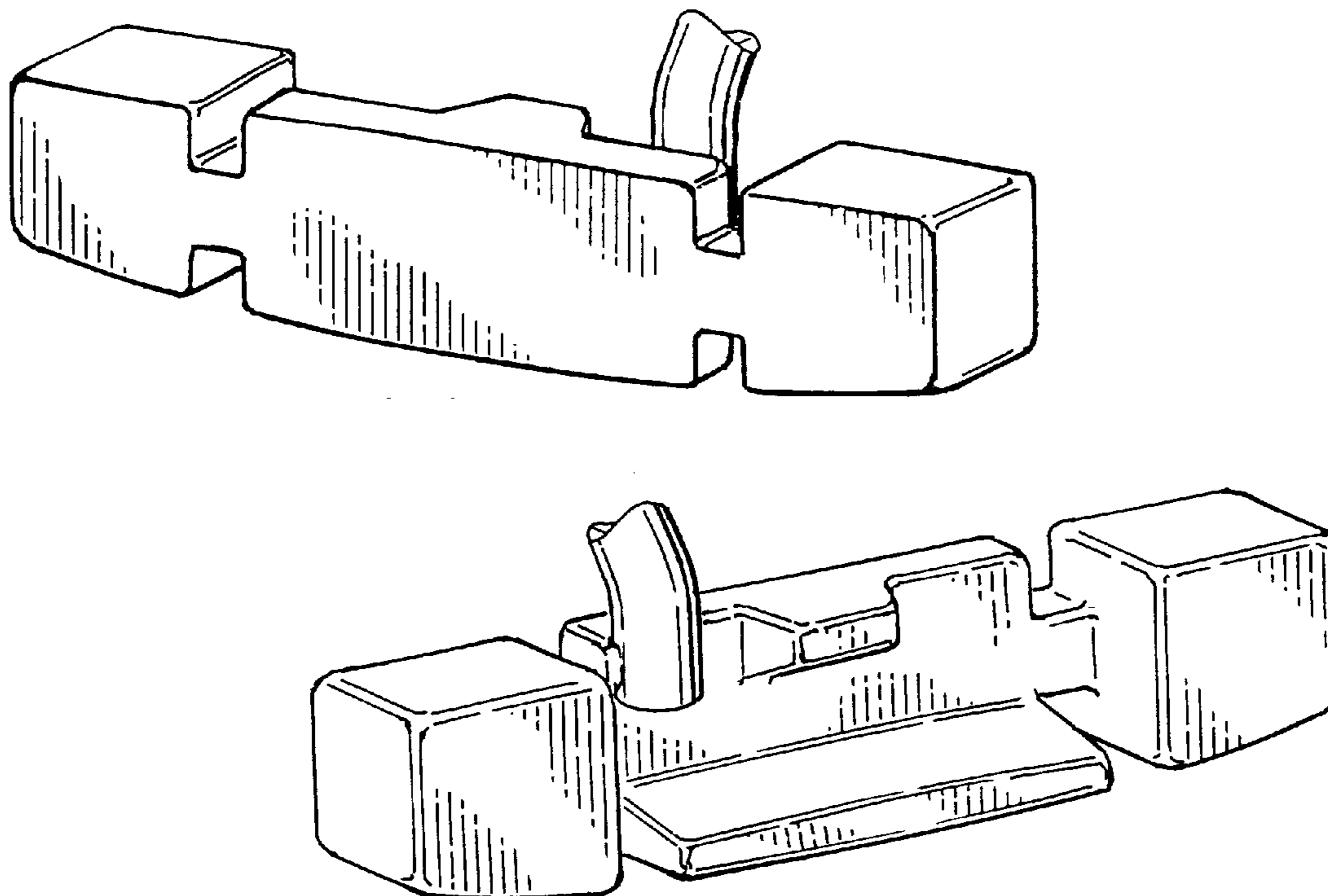
FIG. 5 is a Side Elevational View thereof;

FIG. 6 is a Top Plan View thereof;

FIG. 7 is an End Elevational View thereof; and,

FIG. 8 is a Cross Sectional View taken along the plane indicated by 8—8 in FIG. 3 thereof.

1 Claim, 2 Drawing Sheets



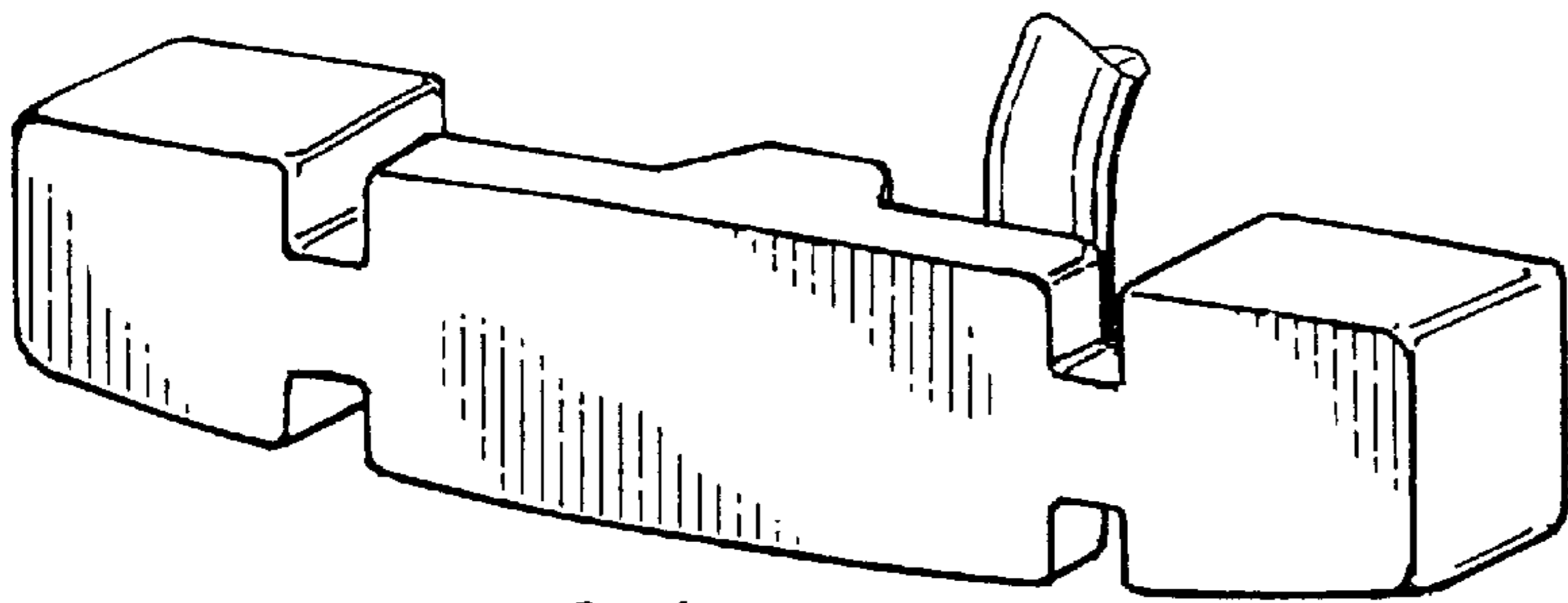


FIG. 1

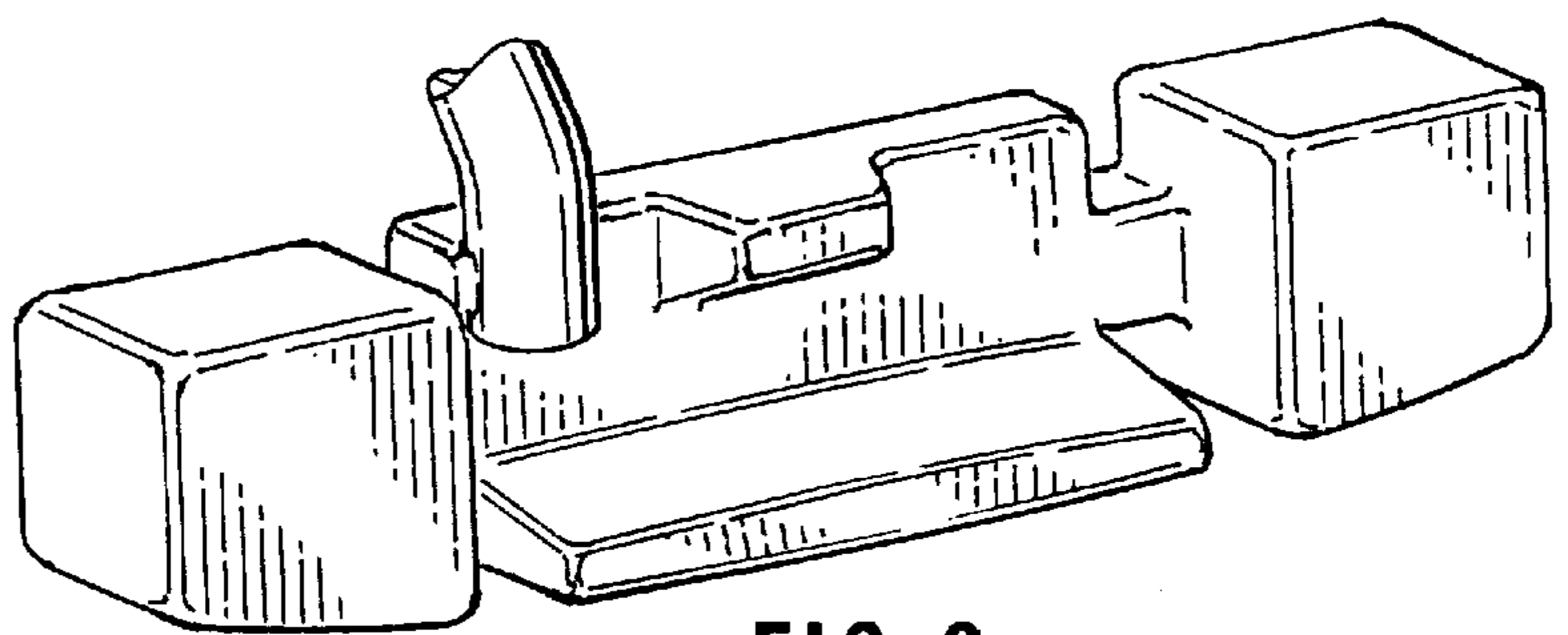


FIG. 2

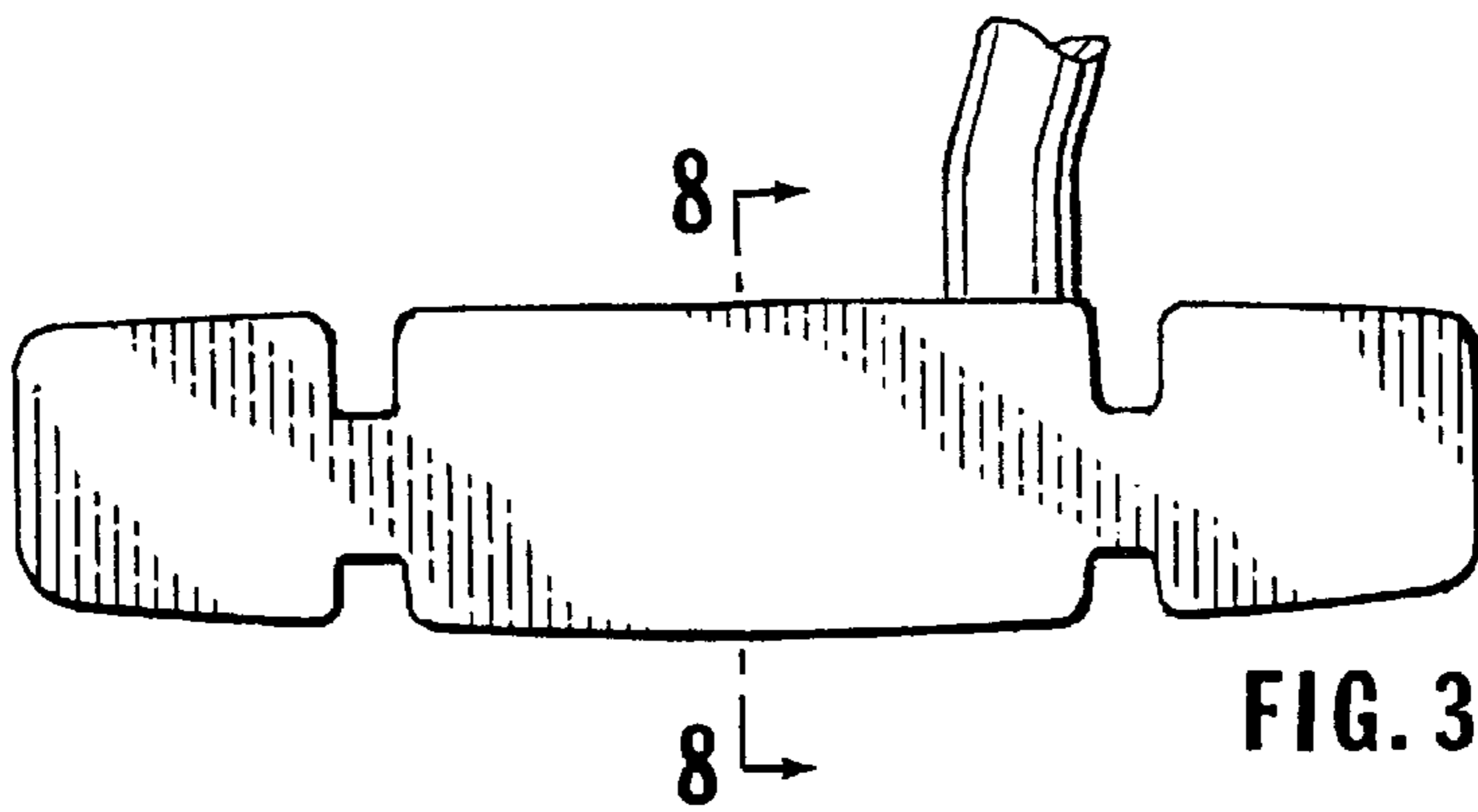


FIG. 3

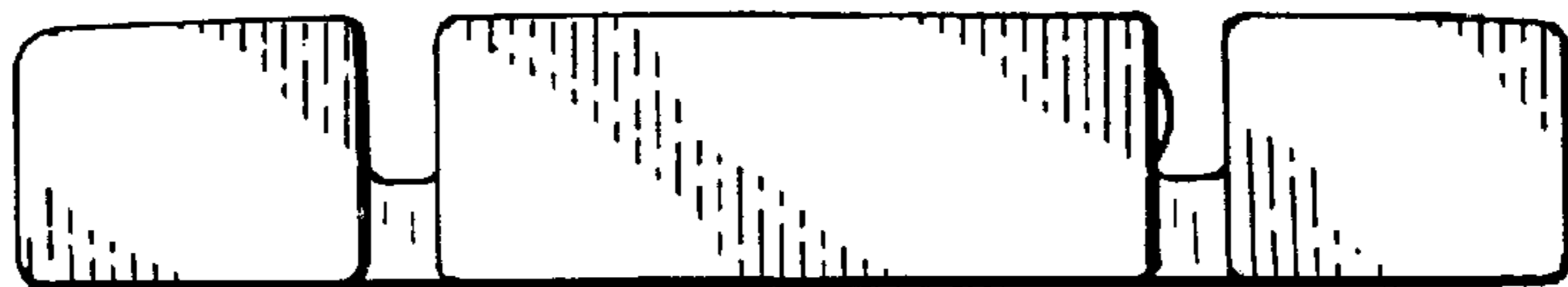


FIG. 4

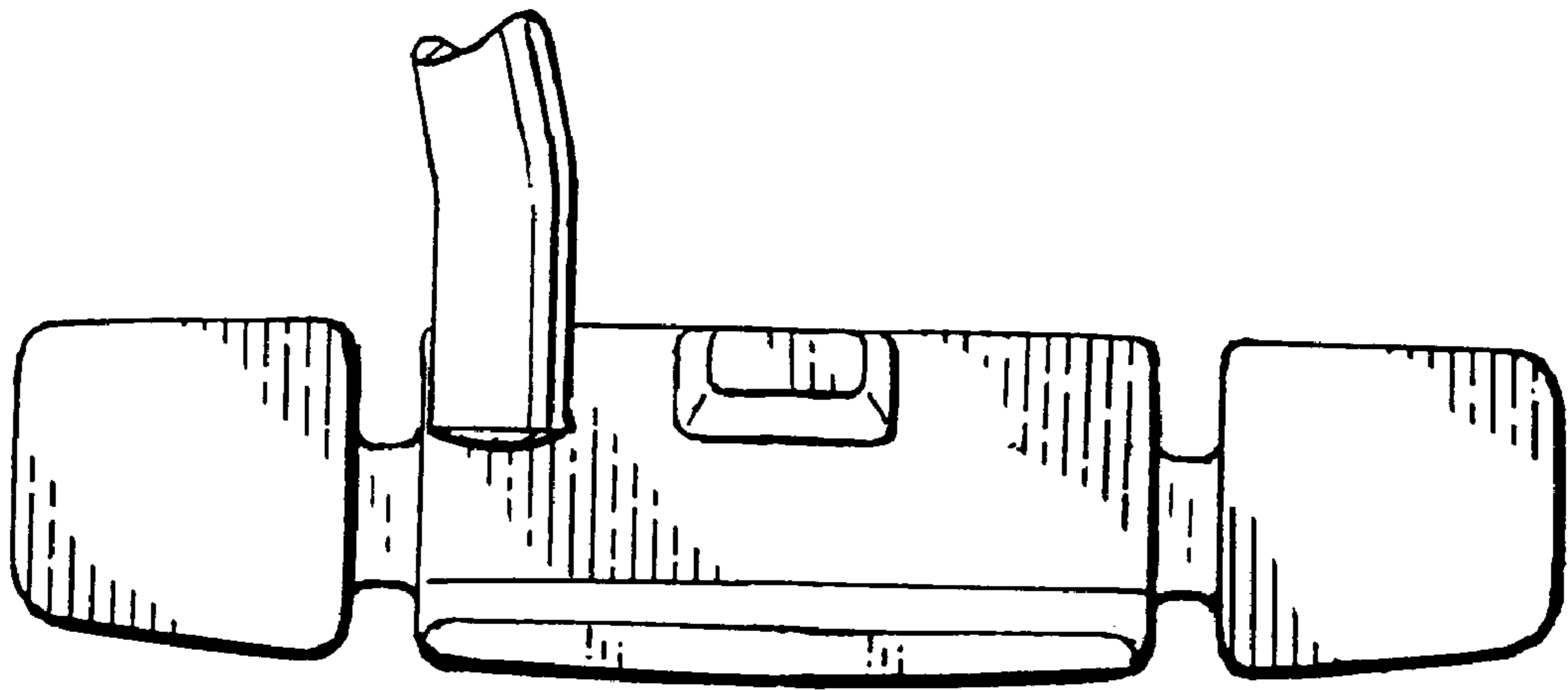


FIG. 5

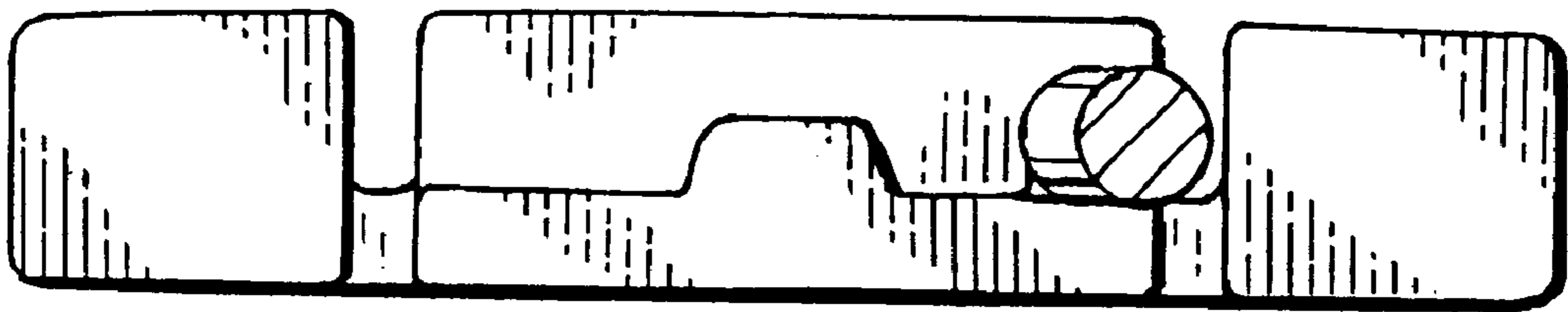


FIG. 6

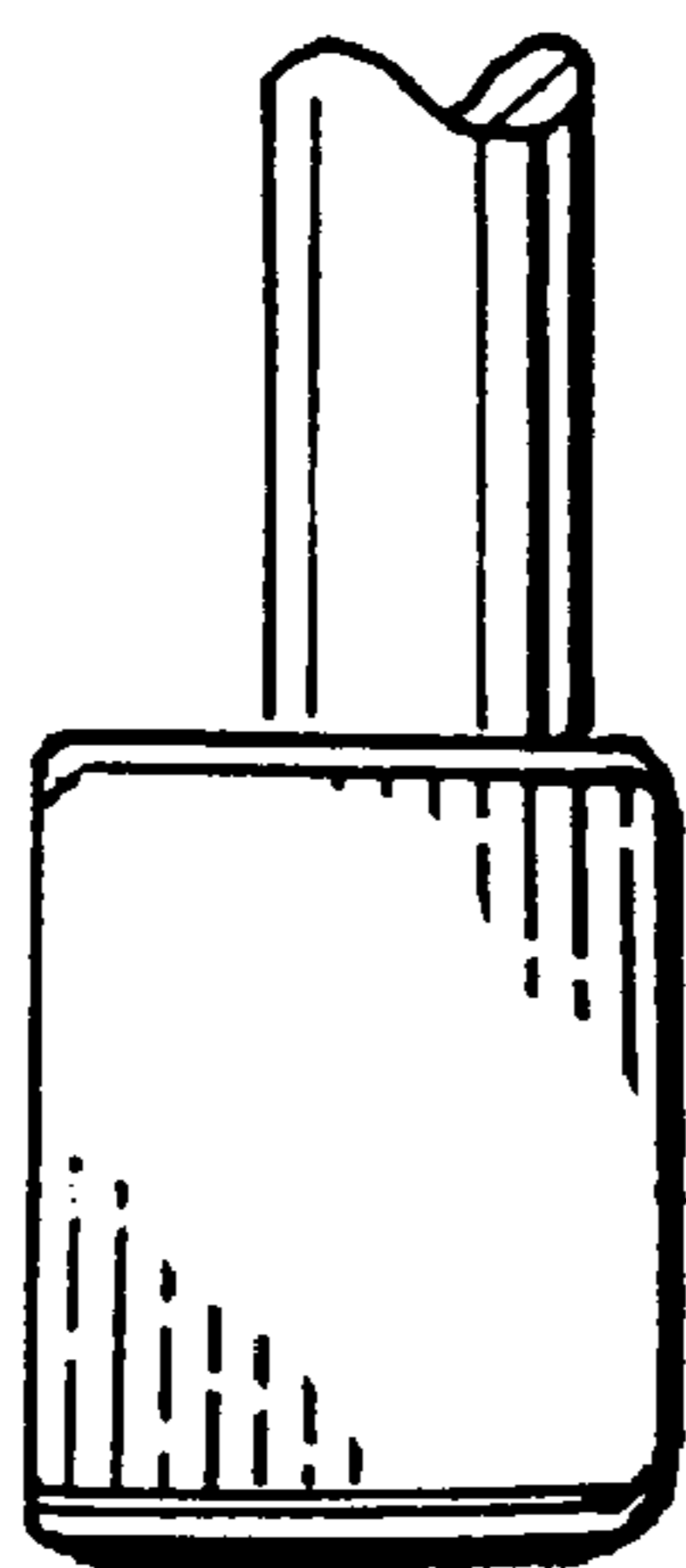


FIG. 7

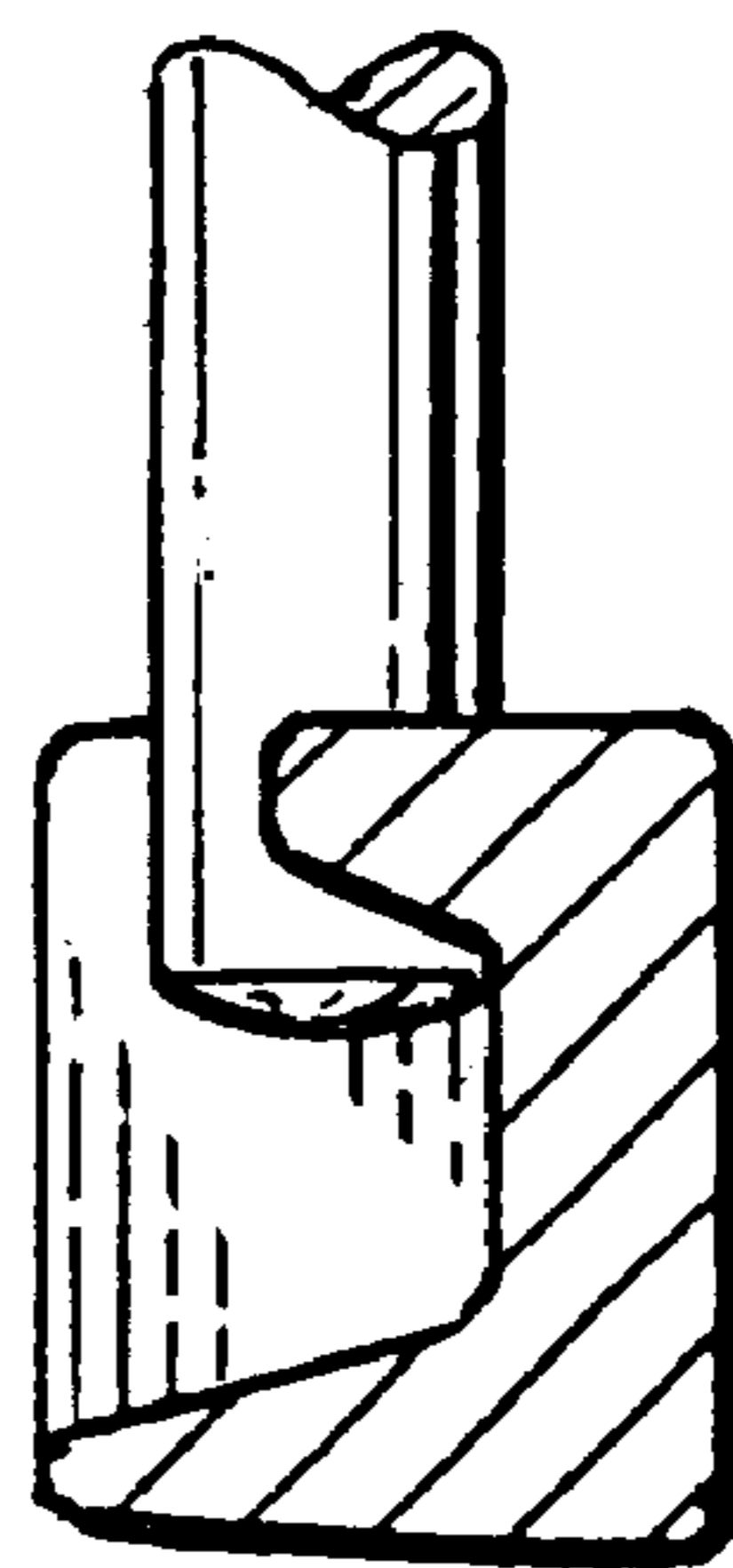


FIG. 8