



US00D481086S

(12) **United States Design Patent**  
**Broudy**

(10) **Patent No.: US D481,086 S**

(45) **Date of Patent: \*\* Oct. 21, 2003**

(54) **EXERCISE PLATFORM**

(76) **Inventor: Jack Broudy, 121 Grandview,  
Leucadia, CA (US) 92024**

(\*\*) **Term: 14 Years**

(21) **Appl. No.: 29/168,733**

(22) **Filed: Oct. 7, 2002**

(51) **LOC (7) Cl. .... 21-02**

(52) **U.S. Cl. .... D21/689**

(58) **Field of Search .... D21/662, 671,  
D21/686, 688, 689; 482/51, 79, 80, 146,  
147**

(56) **References Cited**

**U.S. PATENT DOCUMENTS**

D193,010 S	6/1962	Krauss	482/147
3,441,271 A	4/1969	Palacios	
3,612,519 A	10/1971	Larson	482/147
3,761,084 A	9/1973	Dieckmann	482/147
3,911,907 A	10/1975	Smith, Jr.	482/147
4,200,282 A	4/1980	Agyagos	482/147
4,220,329 A	9/1980	Agyagos	482/147
4,319,749 A	3/1982	Agyagos	482/147
4,386,915 A	6/1983	Gilliam	482/146
D277,220 S	1/1985	Herburger	D21/686
5,067,710 A	11/1991	Watterson et al.	482/3
5,087,210 A	2/1992	Myers et al.	482/52
D325,609 S	4/1992	Cheng	D21/689
5,256,127 A	10/1993	Yeh	482/146
D349,931 S	8/1994	Bostic et al.	D21/689
D352,980 S	11/1994	Wu	D21/689
D358,182 S	5/1995	Yang	D21/689

D362,479 S	9/1995	Destasio, Jr.	D21/688
5,533,948 A	7/1996	Wilkinson	482/51
5,632,711 A	5/1997	Hwang	482/147
D380,508 S	7/1997	Chang	D21/688
5,695,439 A	12/1997	Lin	482/146
5,730,690 A	3/1998	Guidry	482/146
5,830,107 A	11/1998	Brigliadoro	482/147
5,879,275 A	3/1999	Aruin	482/146
D415,224 S	10/1999	Broudy et al.	D21/146
D422,325 S	4/2000	Broudy et al.	D21/689
D431,616 S	10/2000	Broudy et al.	D21/689

**OTHER PUBLICATIONS**

2-Page Promotional Flyer for K.A.T. Computer Data Systems by O.E.M. Medical of Carlsbad, California (no date provided).

*Primary Examiner*—Philip S. Hyder  
(74) *Attorney, Agent, or Firm*—Stetina Brunda Garred & Brucker

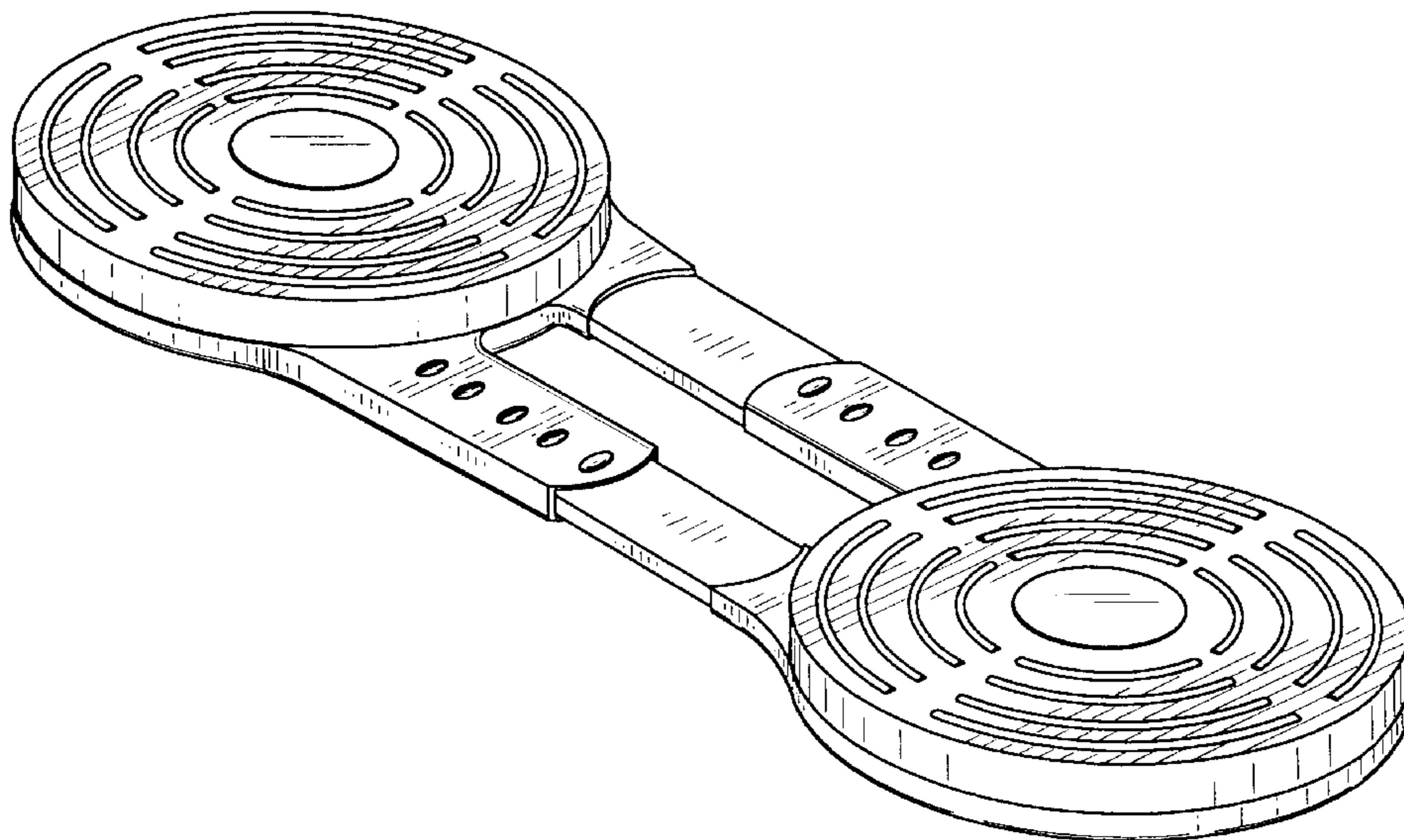
(57) **CLAIM**

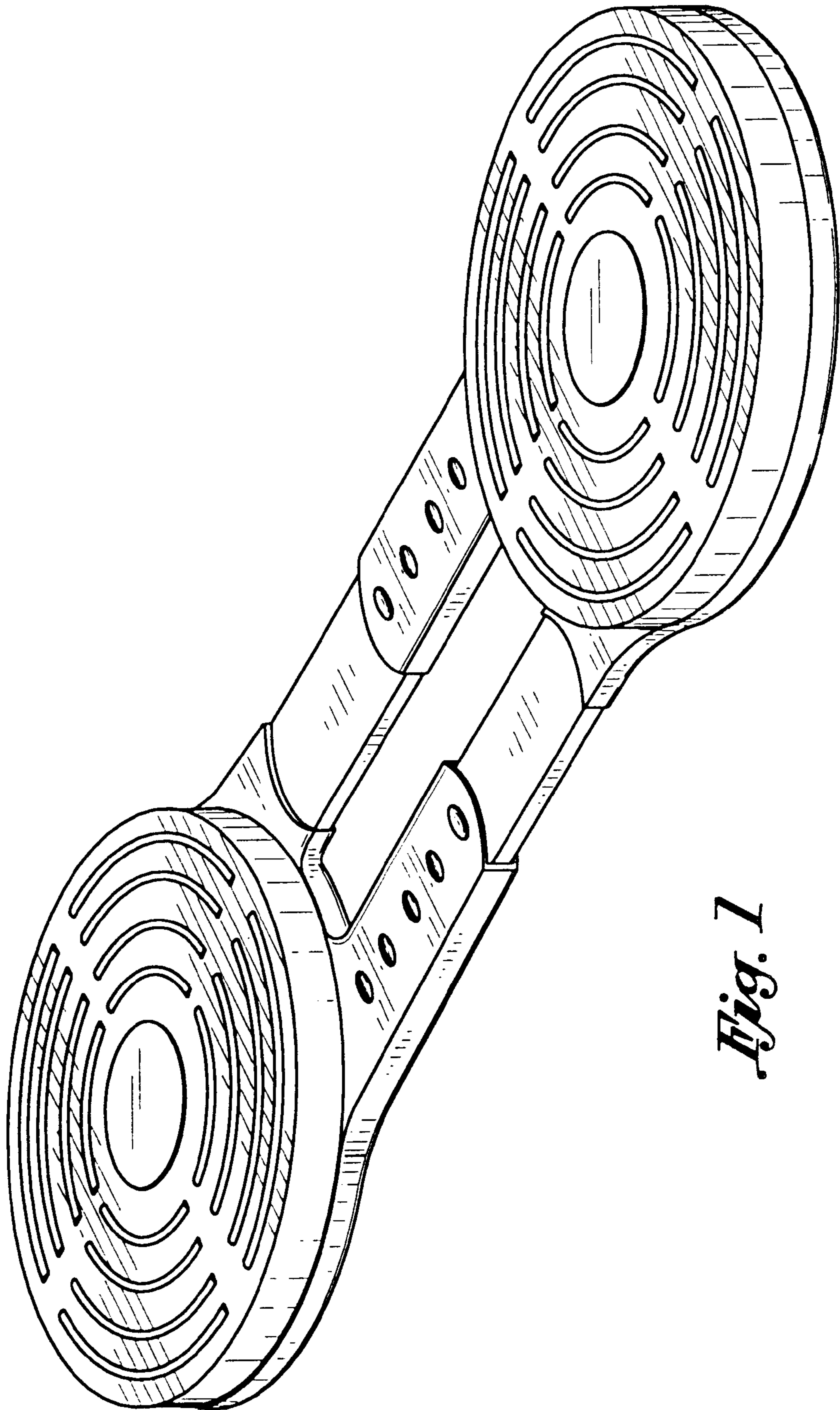
The ornamental design for an exercise platform, as shown and described.

**DESCRIPTION**

FIG. 1 is a perspective view of the exercise device of the present invention showing my new design;  
FIG. 2 is a top view thereof;  
FIG. 3 is a frontal view thereof, the rear view being a mirror image;  
FIG. 4 is a side view thereof; and,  
FIG. 5 is a bottom view thereof.

**1 Claim, 2 Drawing Sheets**





*Fig. 1*

