



US00D481085S

(12) **United States Design Patent**
Ben-Moshe

(10) **Patent No.:** **US D481,085 S**

(45) **Date of Patent:** **** Oct. 21, 2003**

(54) **FOOT EXERCISER**

(75) **Inventor:** **Rami Ben-Moshe**, Canoga Park, CA (US)

(73) **Assignee:** **Sun-Mate Corporation**, Canoga Park, CA (US)

(**) **Term:** **14 Years**

(21) **Appl. No.:** **29/169,869**

(22) **Filed:** **Oct. 29, 2002**

(51) **LOC (7) Cl.** **21-02**

(52) **U.S. Cl.** **D21/670; D21/668**

(58) **Field of Search** D21/662, 663, D21/668, 670, 671; 482/51, 52, 57, 70, 79

(56) **References Cited**

U.S. PATENT DOCUMENTS

D281,343 S	*	11/1985	Krive	D21/670
5,199,934 A	*	4/1993	Lin	482/79
5,230,674 A	*	7/1993	Terauds	482/52
5,263,910 A	*	11/1993	Yang	482/52
5,304,105 A	*	4/1994	Hsieh	482/53
D348,708 S	*	7/1994	Chen	D21/670

D349,542 S	*	8/1994	Russell	D21/670
5,348,520 A	*	9/1994	Chang	482/52
D390,020 S	*	2/1998	Huang	D6/349
D456,052 S	*	4/2002	Steves	D21/670
D461,211 S	*	8/2002	Kuo	D21/670
D465,001 S	*	10/2002	Chiang-Chow	D21/670
D466,567 S	*	12/2002	Chen et al.	D21/670

* cited by examiner

Primary Examiner—Philip S. Hyder

(74) *Attorney, Agent, or Firm*—Michael A. Painter

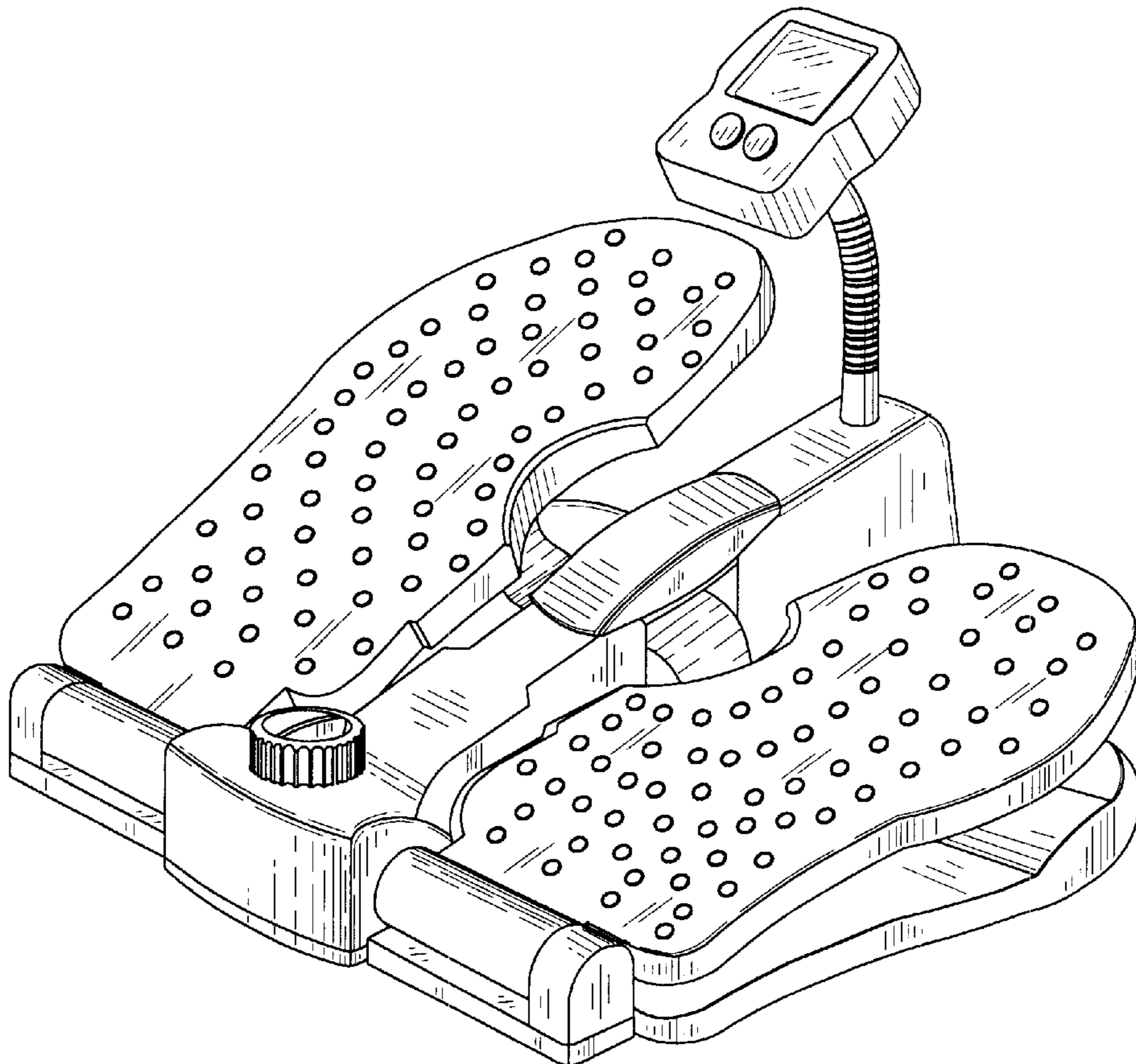
(57) **CLAIM**

The ornamental design for a foot exerciser, as shown and described.

DESCRIPTION

FIG. 1 is a front perspective view of a foot exerciser illustrating my new design;
FIG. 2 is a top plan view thereof;
FIG. 3 is a left side elevation view thereof;
FIG. 4 is a right side elevation view thereof;
FIG. 5 is a front elevation view thereof;
FIG. 6 is a rear elevation view thereof; and,
FIG. 7 is a bottom plan view thereof.

1 Claim, 3 Drawing Sheets



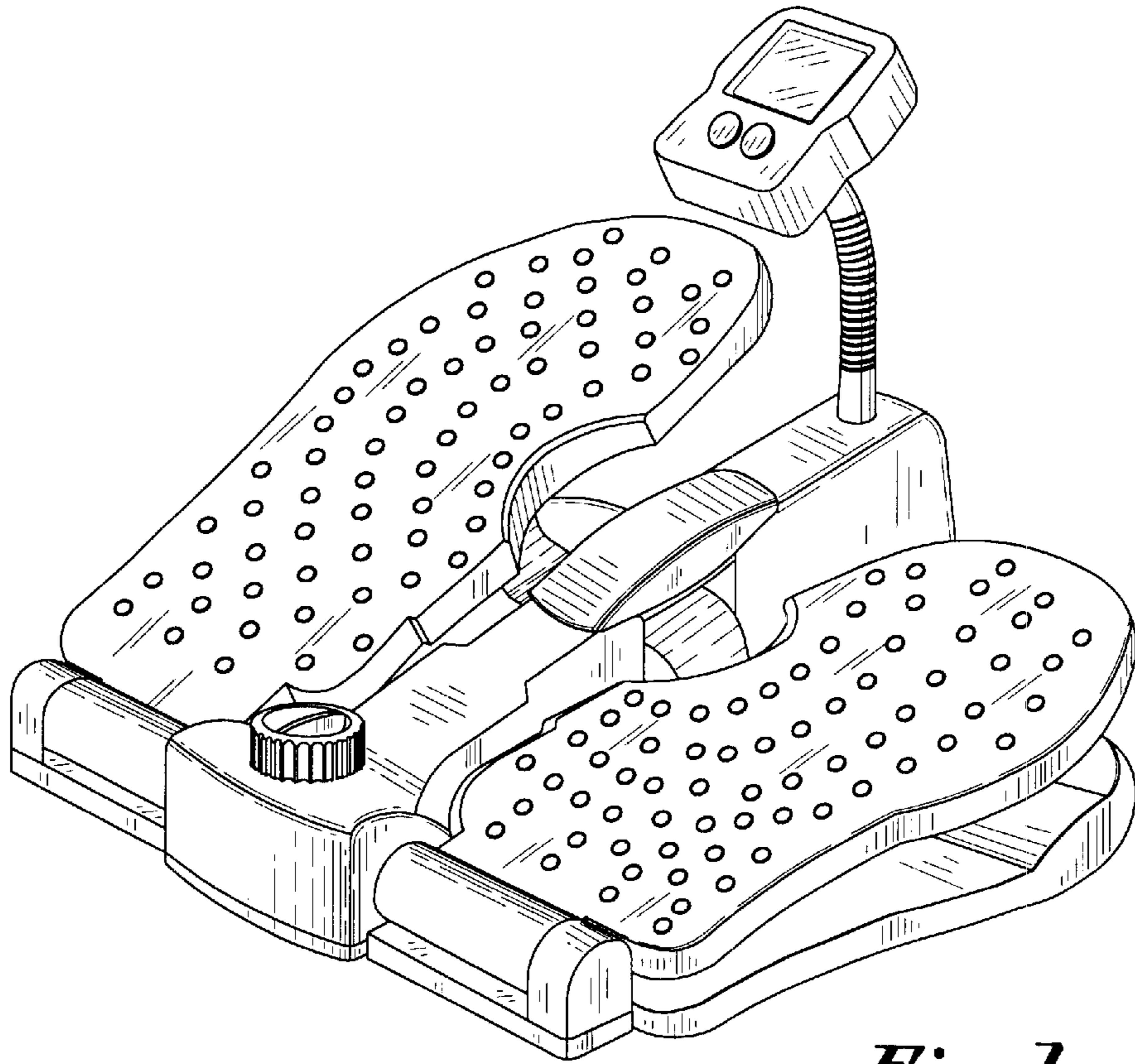


Fig. 1

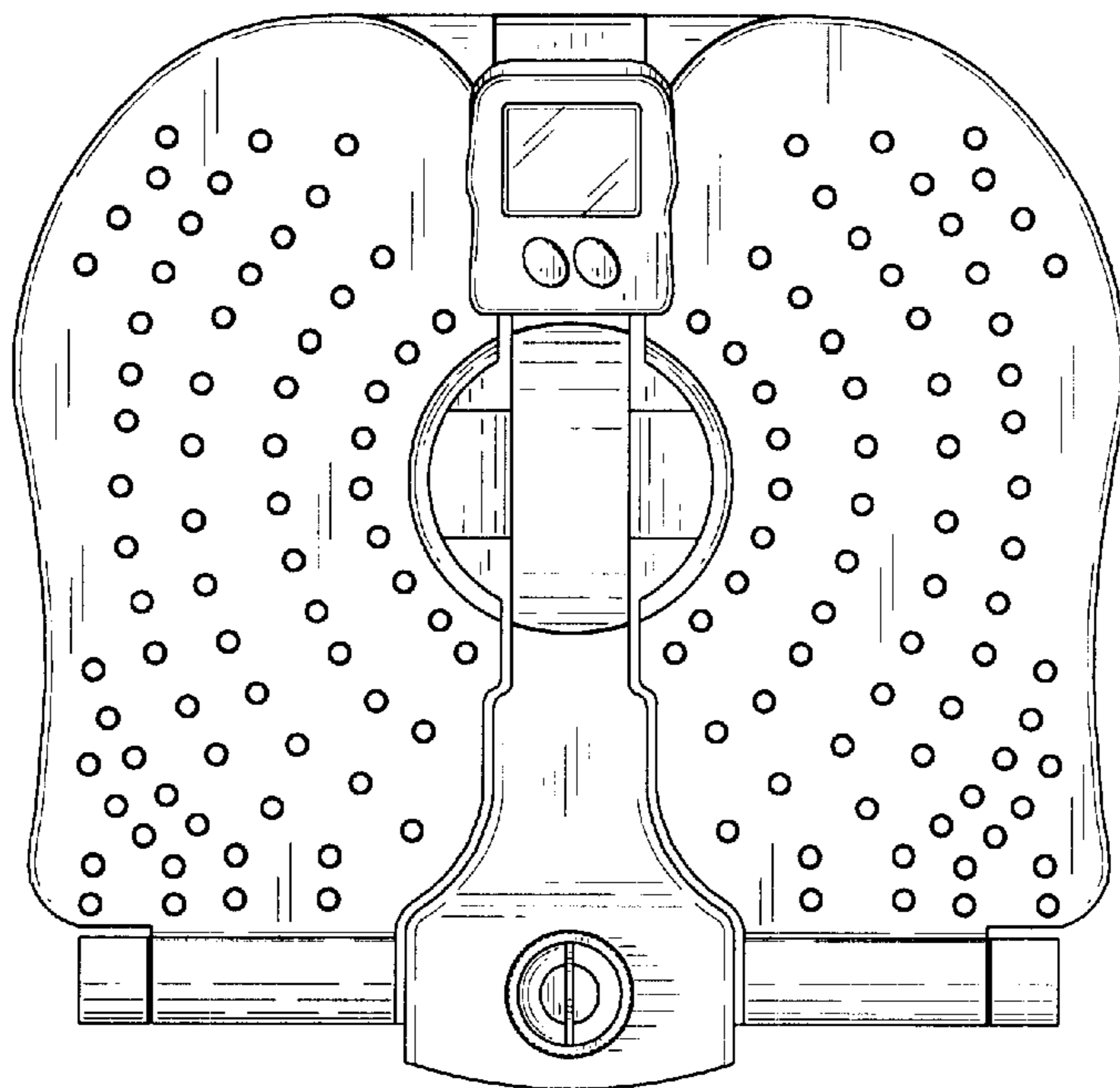


Fig. 2

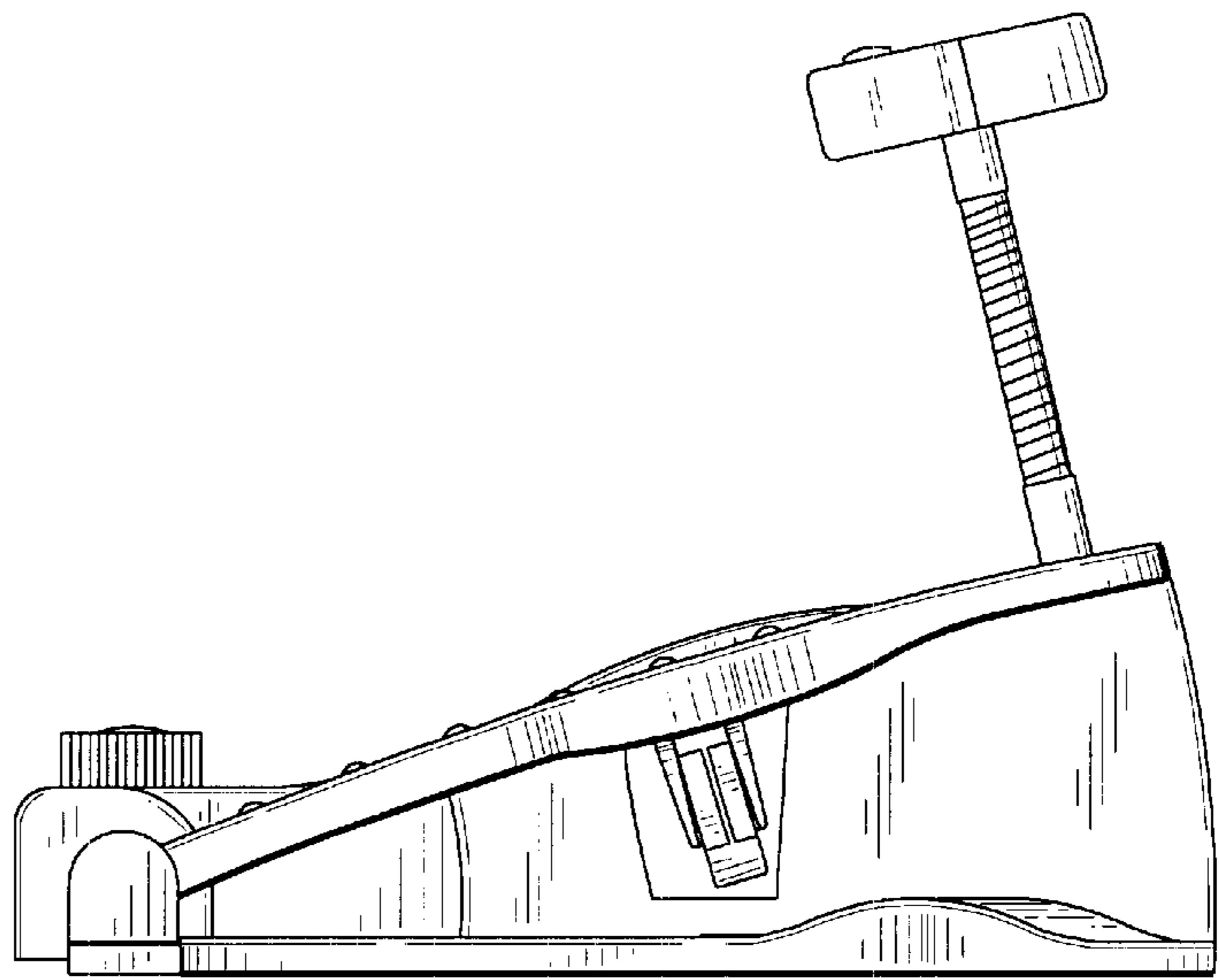


Fig. 3

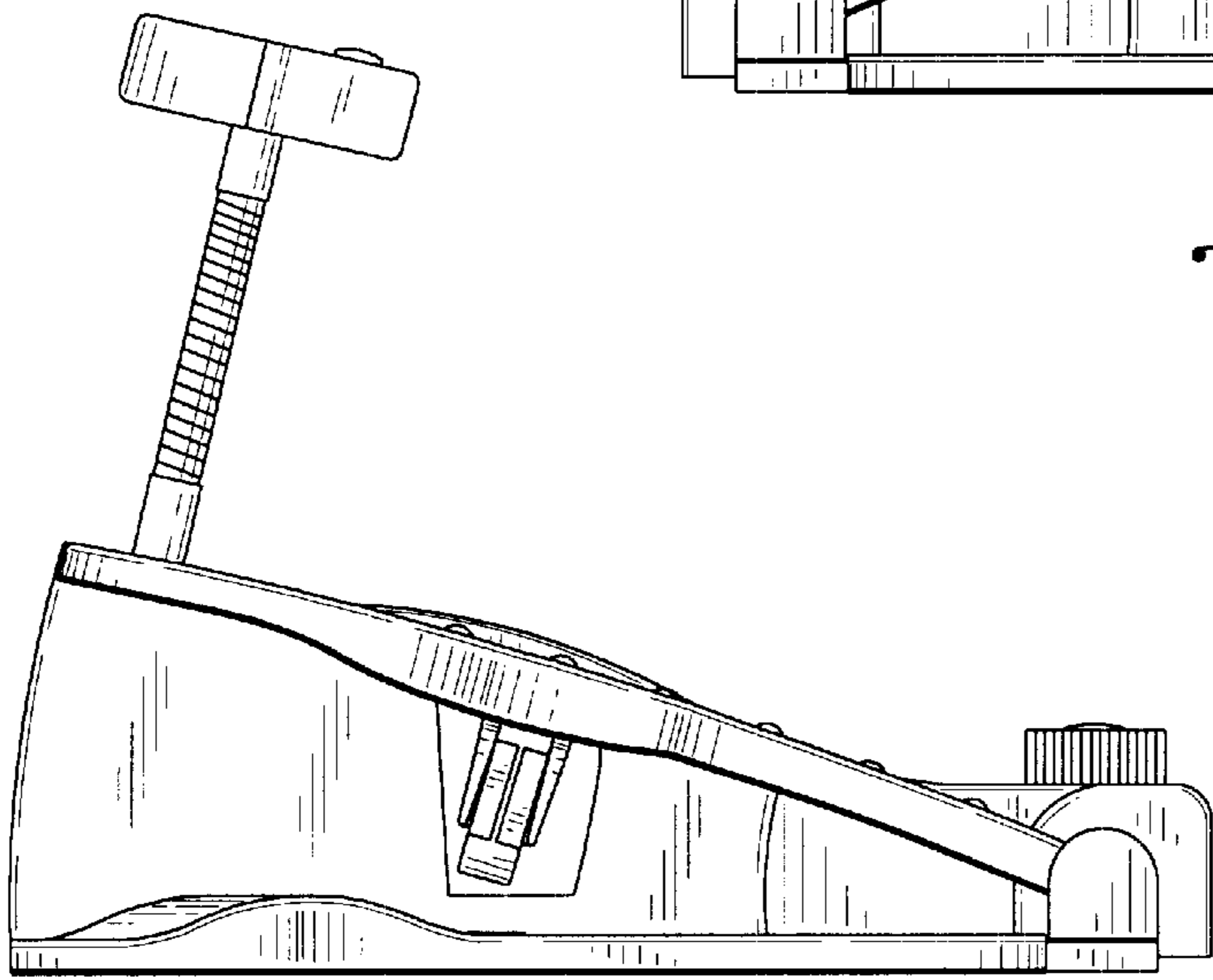


Fig. 4

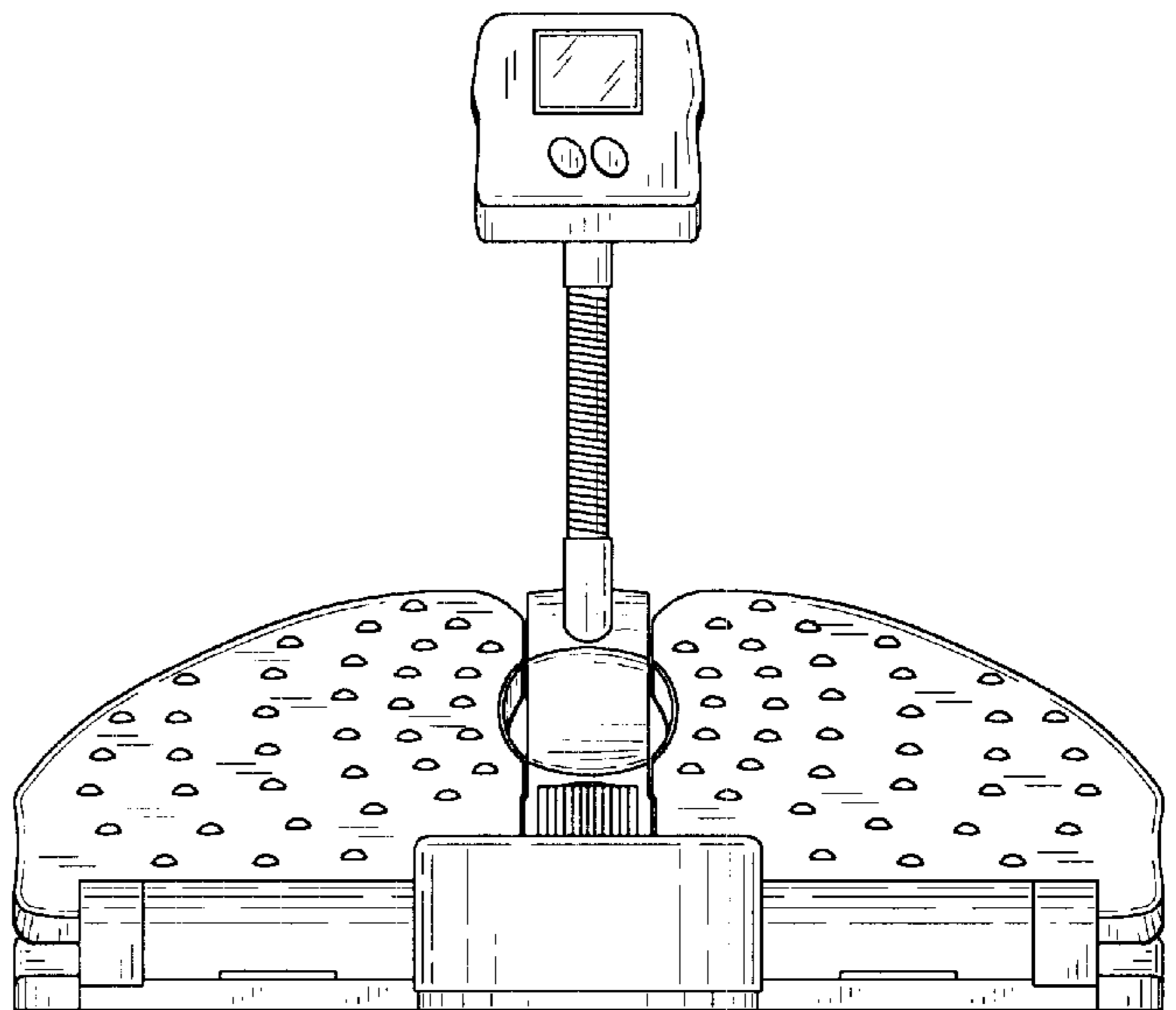


Fig. 5

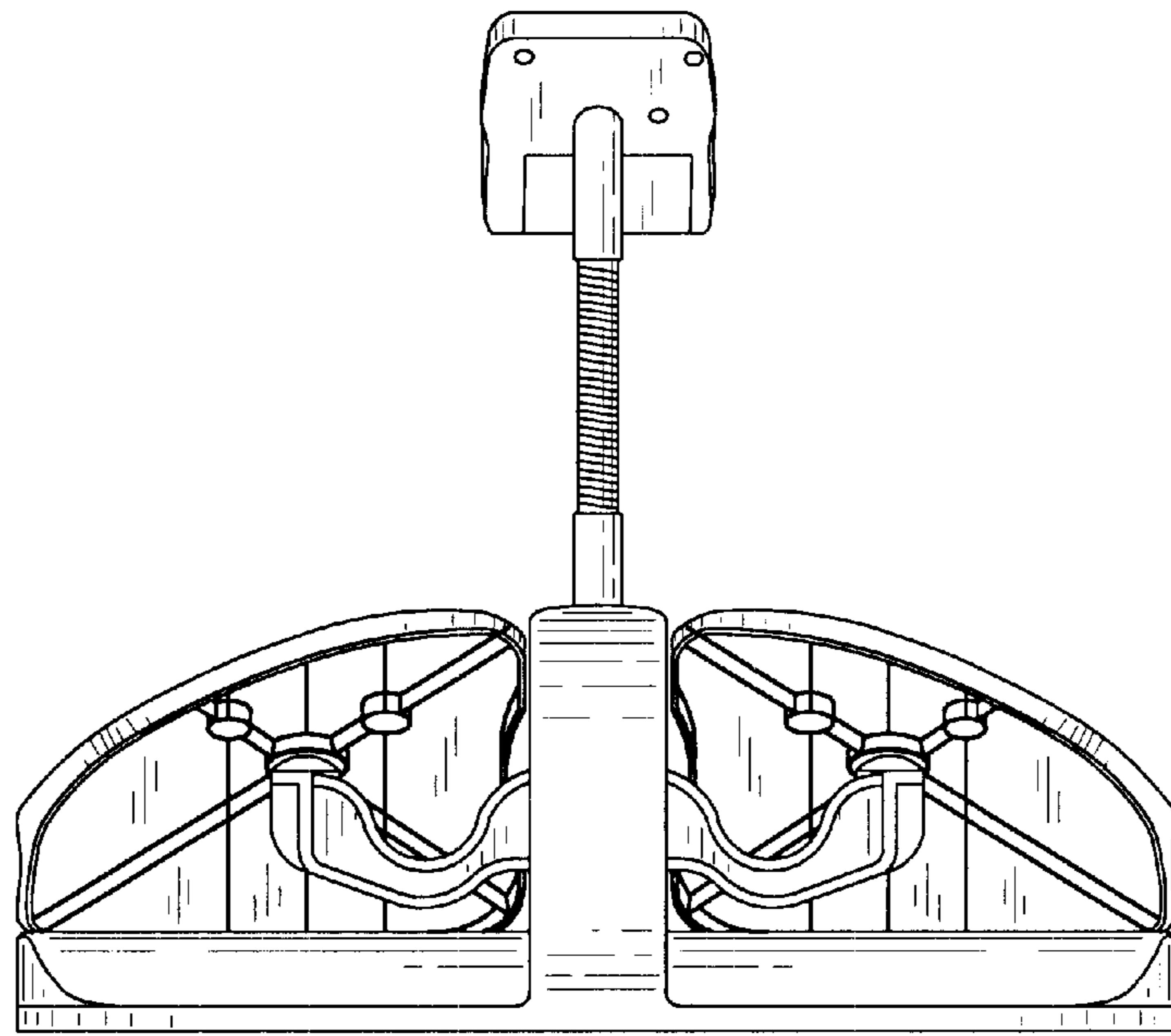


Fig. 6

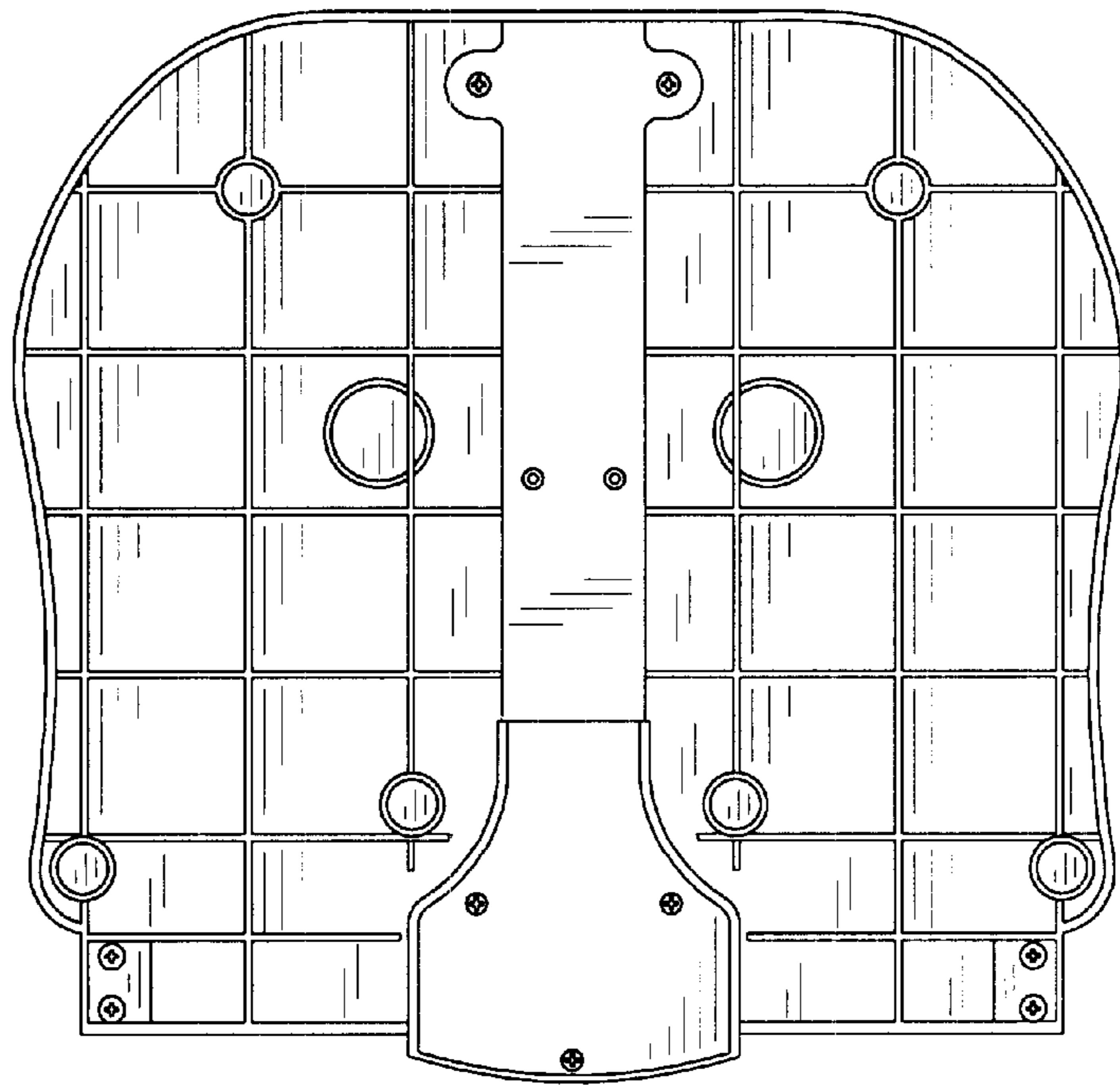


Fig. 7