



US00D481083S

(12) **United States Design Patent**  
**Bresciani et al.**

(10) **Patent No.:** **US D481,083 S**  
(45) **Date of Patent:** **\*\* Oct. 21, 2003**

(54) **TOY FIGURE**

(75) Inventors: **Daniele Bresciani**, Milan (IT); **Flavio Tambani**, Milan (IT)

(73) Assignee: **Interlego AG**, Baar (CH)

(\*\*) Term: **14 Years**

(21) Appl. No.: **29/174,930**

(22) Filed: **Jan. 28, 2003**

(51) **LOC (7) Cl.** ..... **21-01**

(52) **U.S. Cl.** ..... **D21/621; D21/623; D21/659**

(58) **Field of Search** ..... **D21/588, 621, D21/623, 630, 631, 634, 635, 643, 644, 659, 658; D11/160; 446/268, 97-101**

(56) **References Cited**

**U.S. PATENT DOCUMENTS**

D248,175 S	*	6/1978	Tapdrup	.....	D21/623
D248,177 S	*	6/1978	Tapdrup	.....	D21/623
D251,261 S	*	3/1979	Tapdrup	.....	D21/623
D260,414 S	*	8/1981	Nakao et al.	.....	D21/623
D329,884 S	*	9/1992	Holmstr m	.....	D21/623
D332,117 S	*	12/1992	Holmstrom	.....	D21/623
D340,960 S	*	11/1993	Phinney et al.	.....	D21/623
D344,111 S	*	2/1994	Israel	.....	D21/621

**OTHER PUBLICATIONS**

Playthings, Feb., 1985, p. 135, "Tente Elephant" characters.\*

Playthings, Mar. 1989, p. 33, "Rock'N Rollers" by Nylint@Toys.\*

Creata Tandem Catalog, 1995, p. 24, "Tandem People" dolls.\*

Fisher Price Catalog, Oct., 2001, p. 8, "Little People" dolls.\*

\* cited by examiner

*Primary Examiner*—Lucy Lieberman

(74) *Attorney, Agent, or Firm*—Pitney, Hardin, Kipp & Szuch LLP

(57) **CLAIM**

The ornamental design for a toy figure, as shown and described.

**DESCRIPTION**

FIG. 1 is a front elevation of a toy figure in accordance with the present invention;

FIG. 2 is a first side elevational view thereof;

FIG. 3 is a rear elevational view thereof;

FIG. 4 is an opposite side elevational view thereof;

FIG. 5 is top plan view thereof;

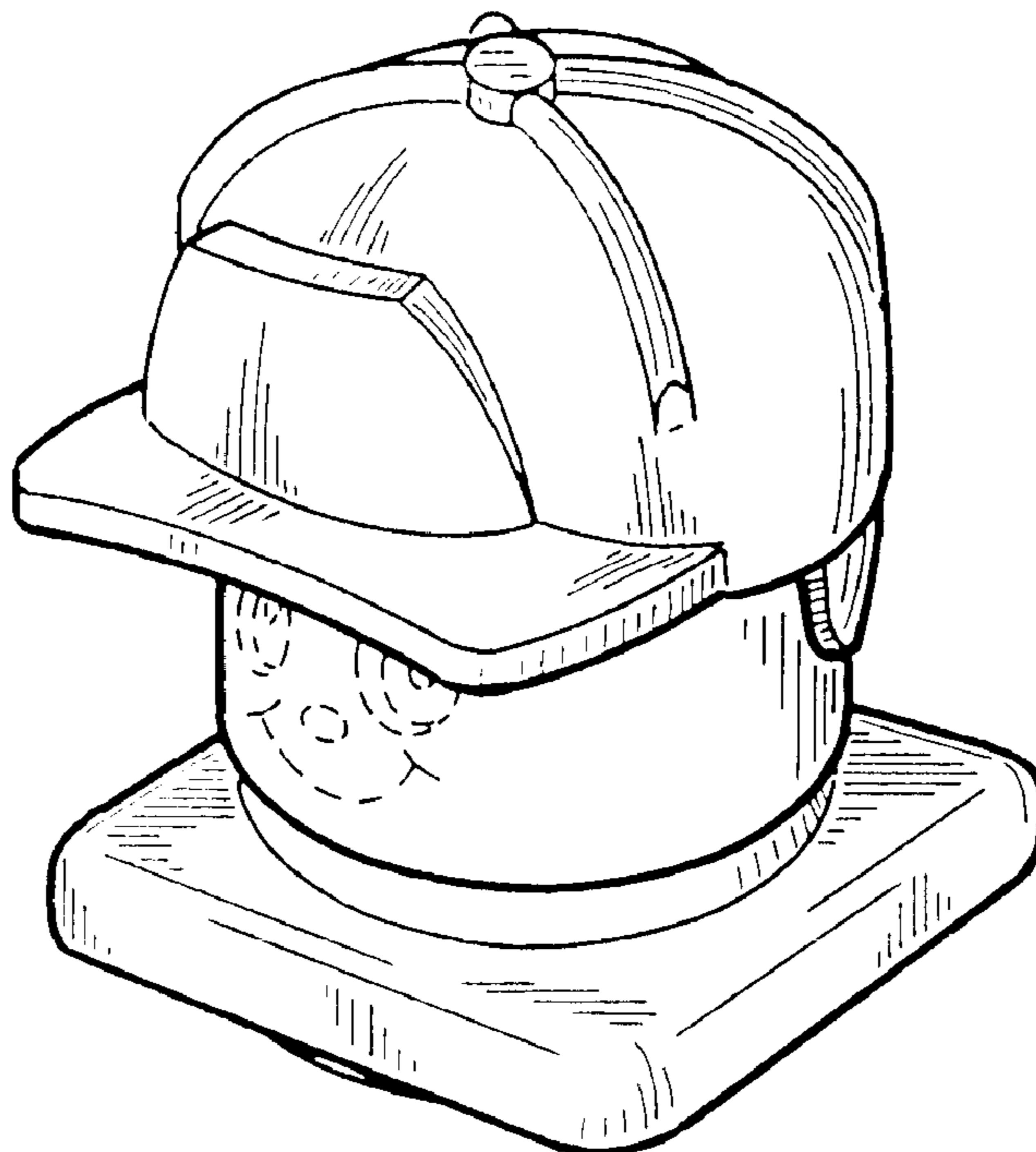
FIG. 6 is a bottom plan view thereof;

FIG. 7 is a top, front perspective view thereof; and,

FIG. 8 is a bottom, rear perspective view thereof.

The broken lines showing facial features in FIGS. 1, 2, 4 and 7 are for illustrative purposes only and do not form part of the claimed design.

**1 Claim, 1 Drawing Sheet**



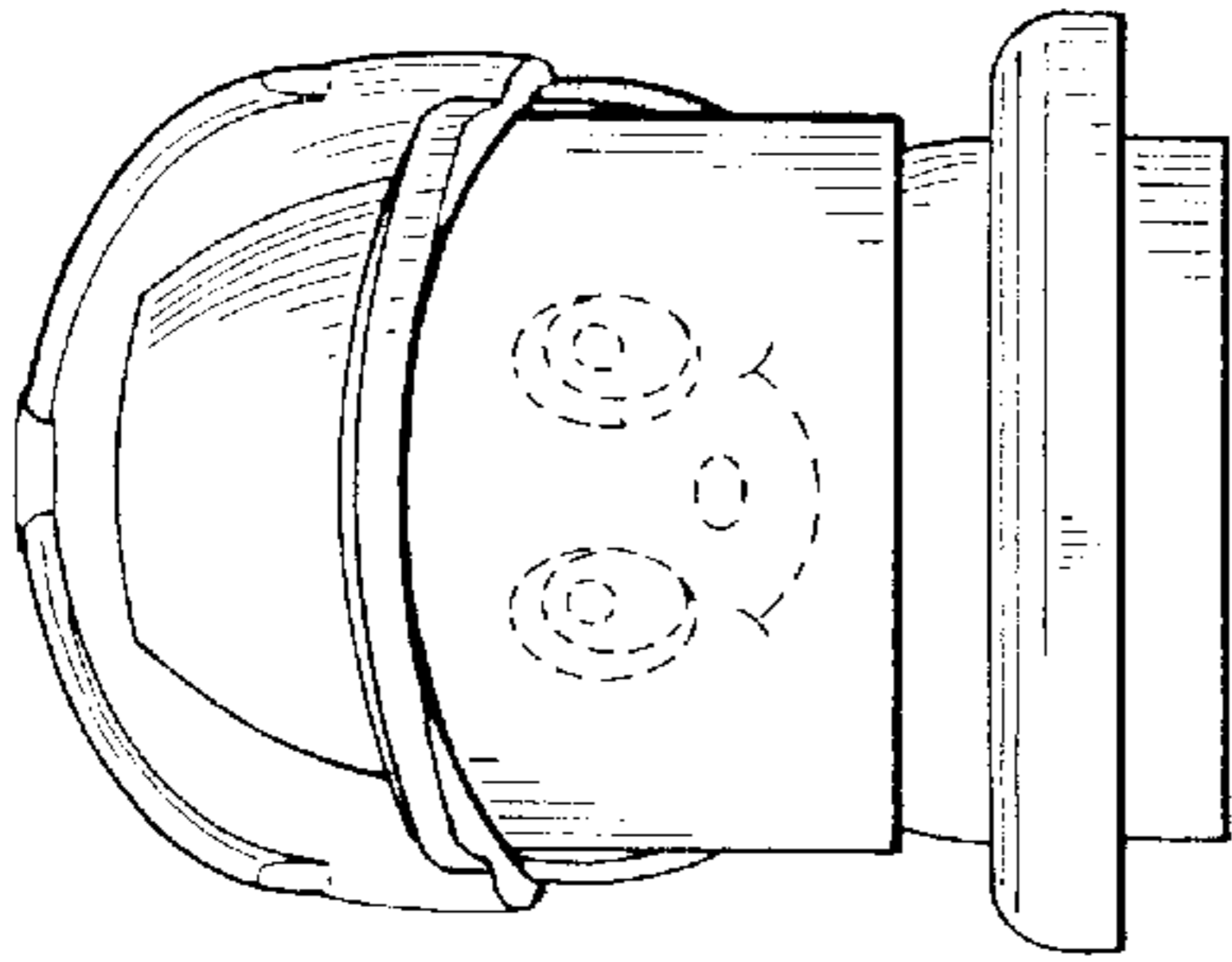


Fig. 1

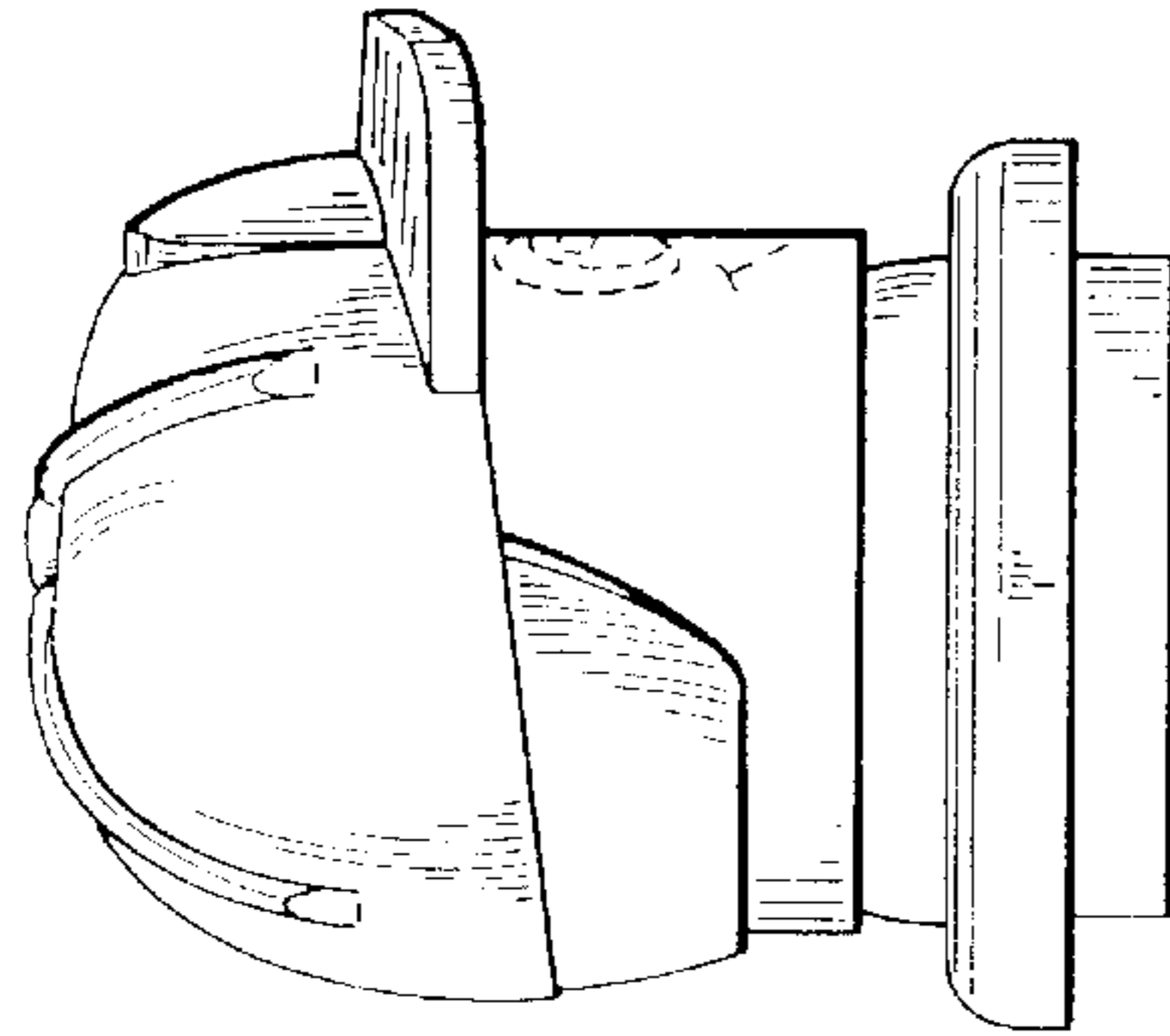


Fig. 2

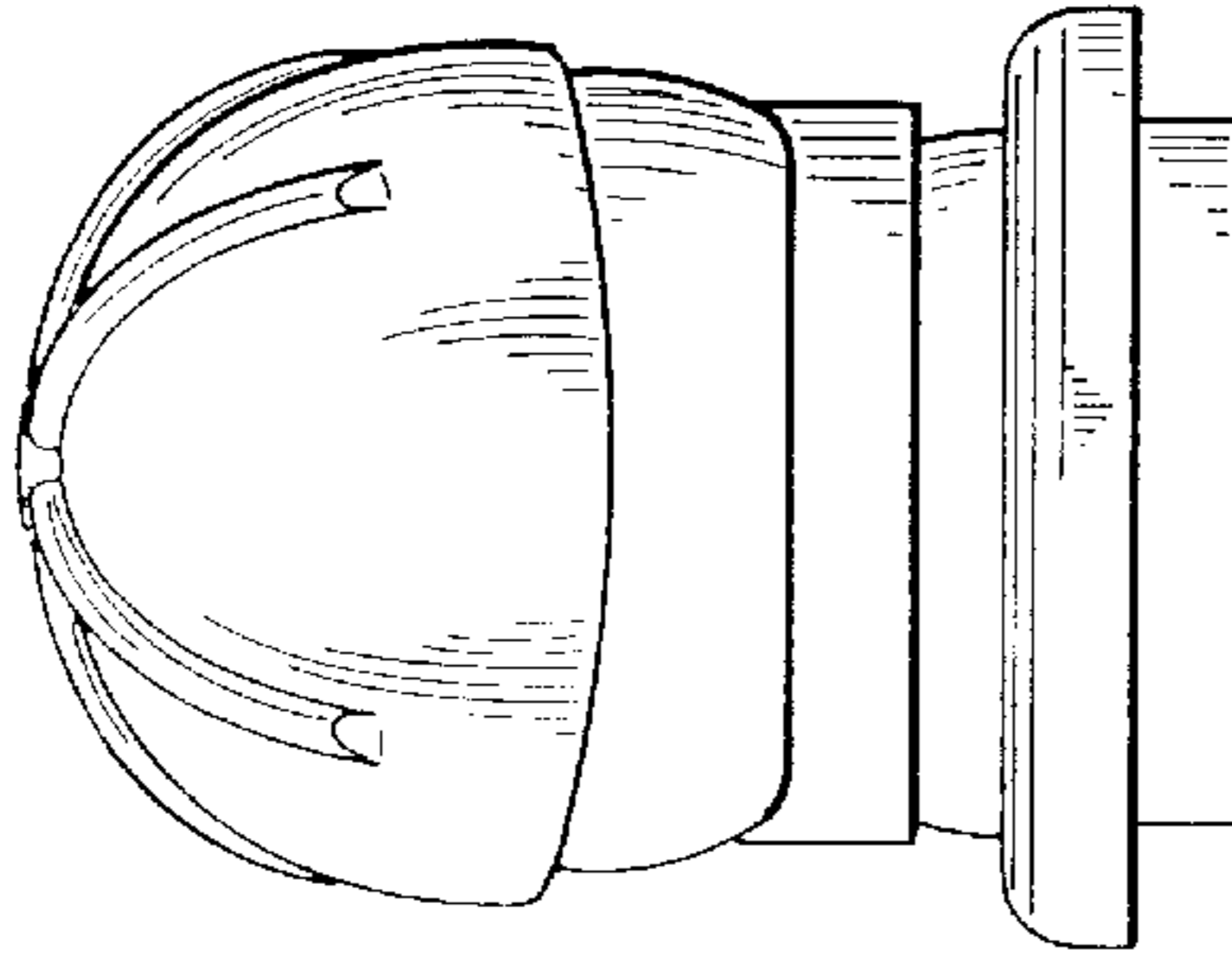


Fig. 3

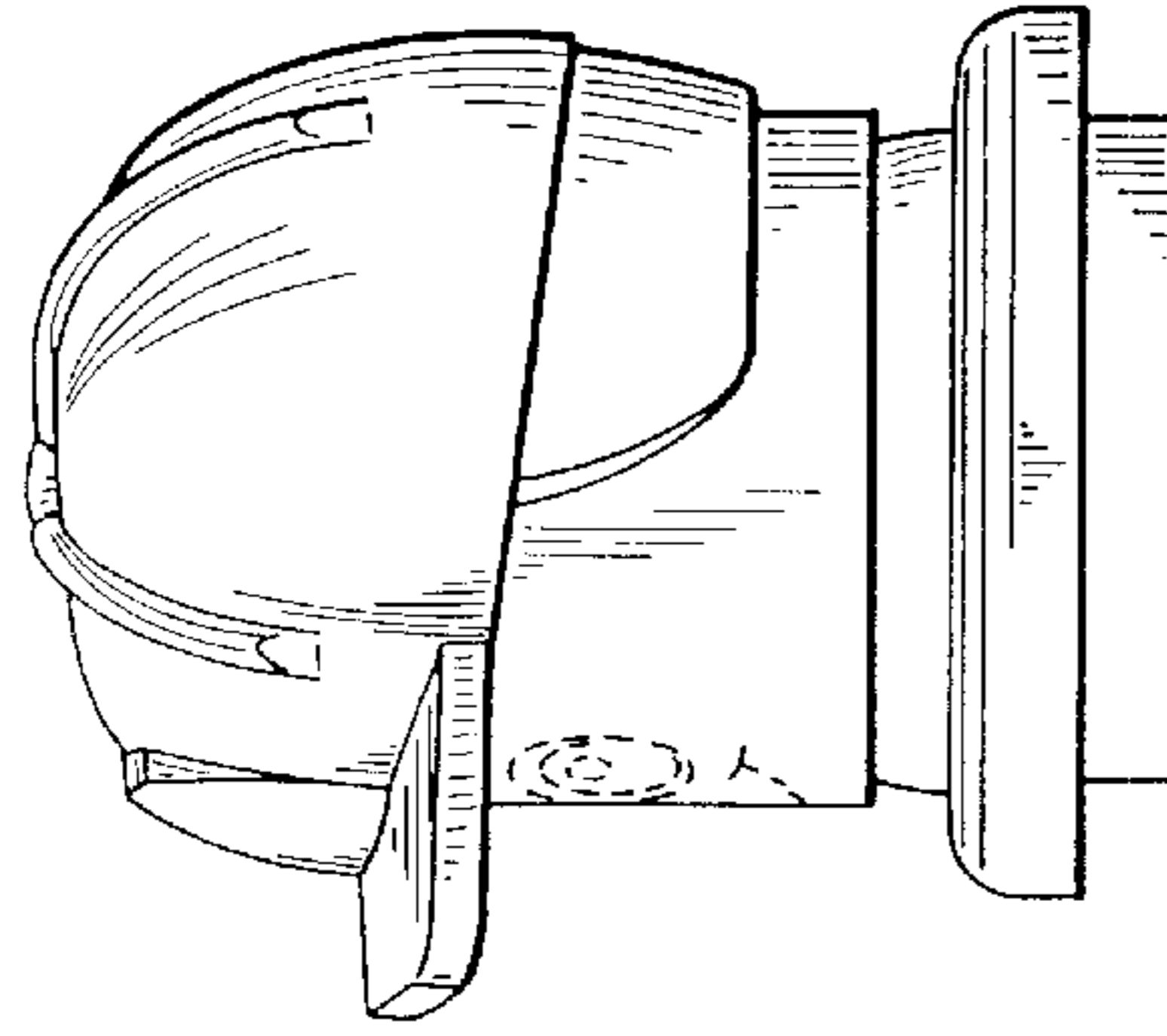


Fig. 4

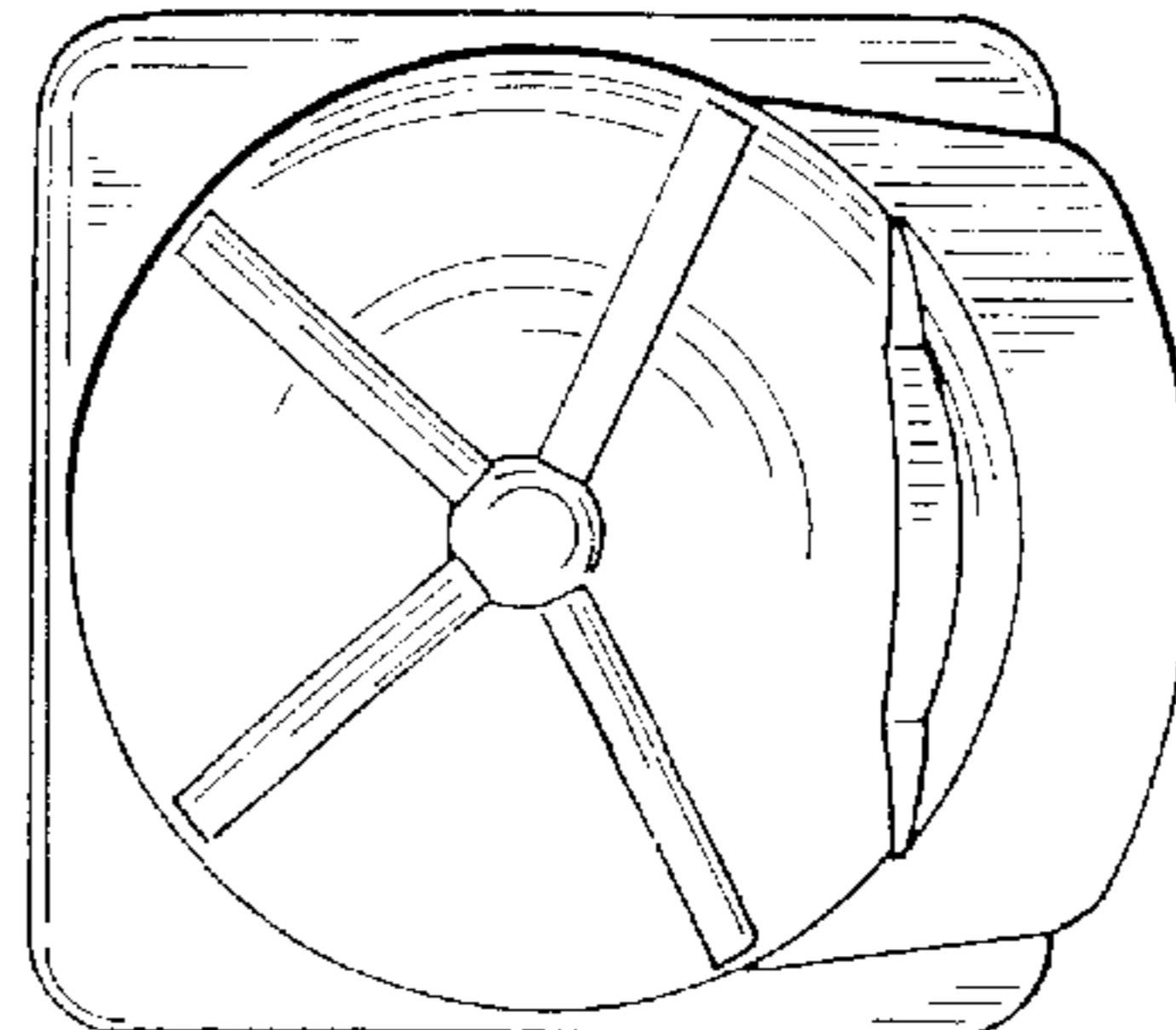


Fig. 5

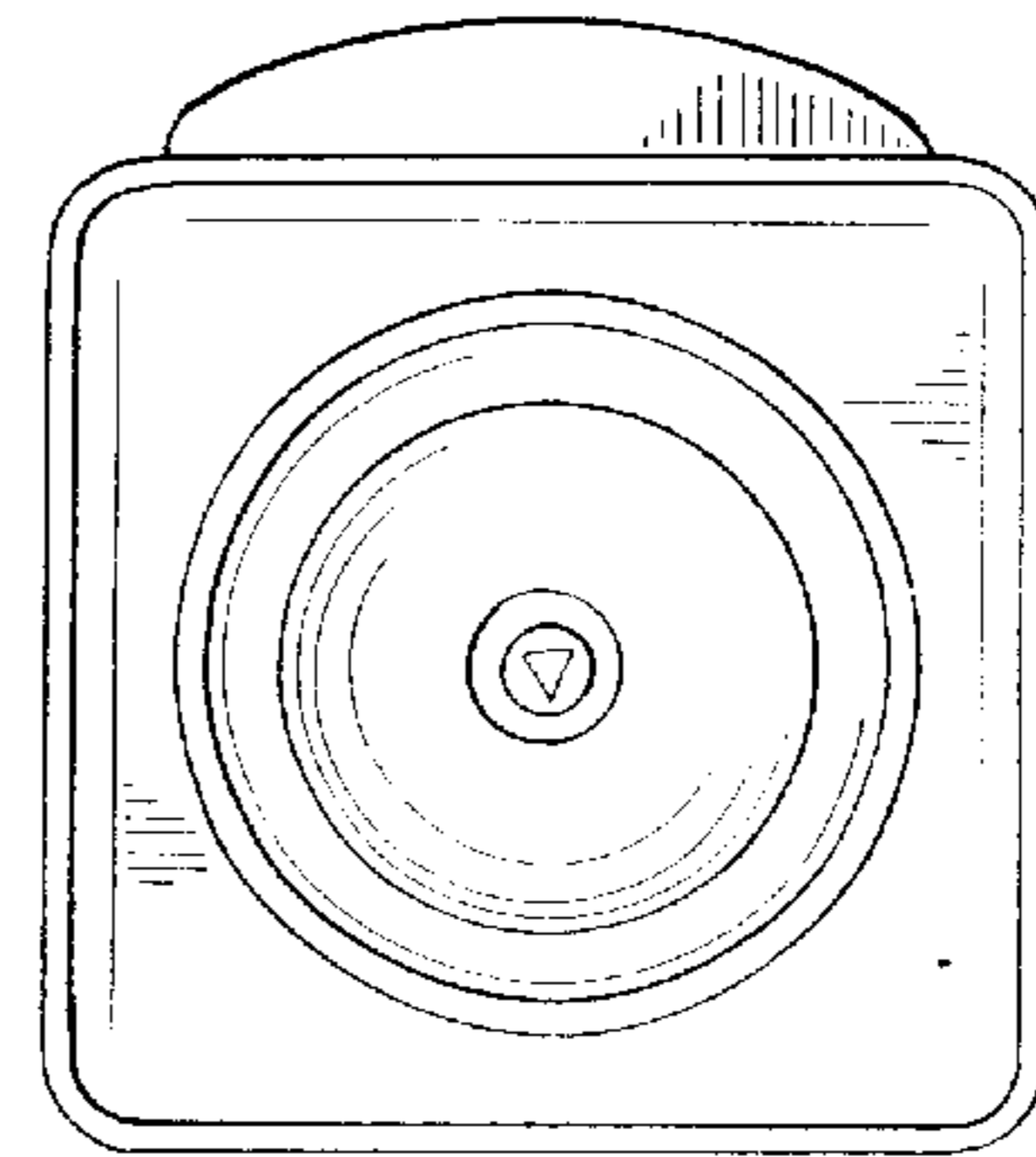


Fig. 6

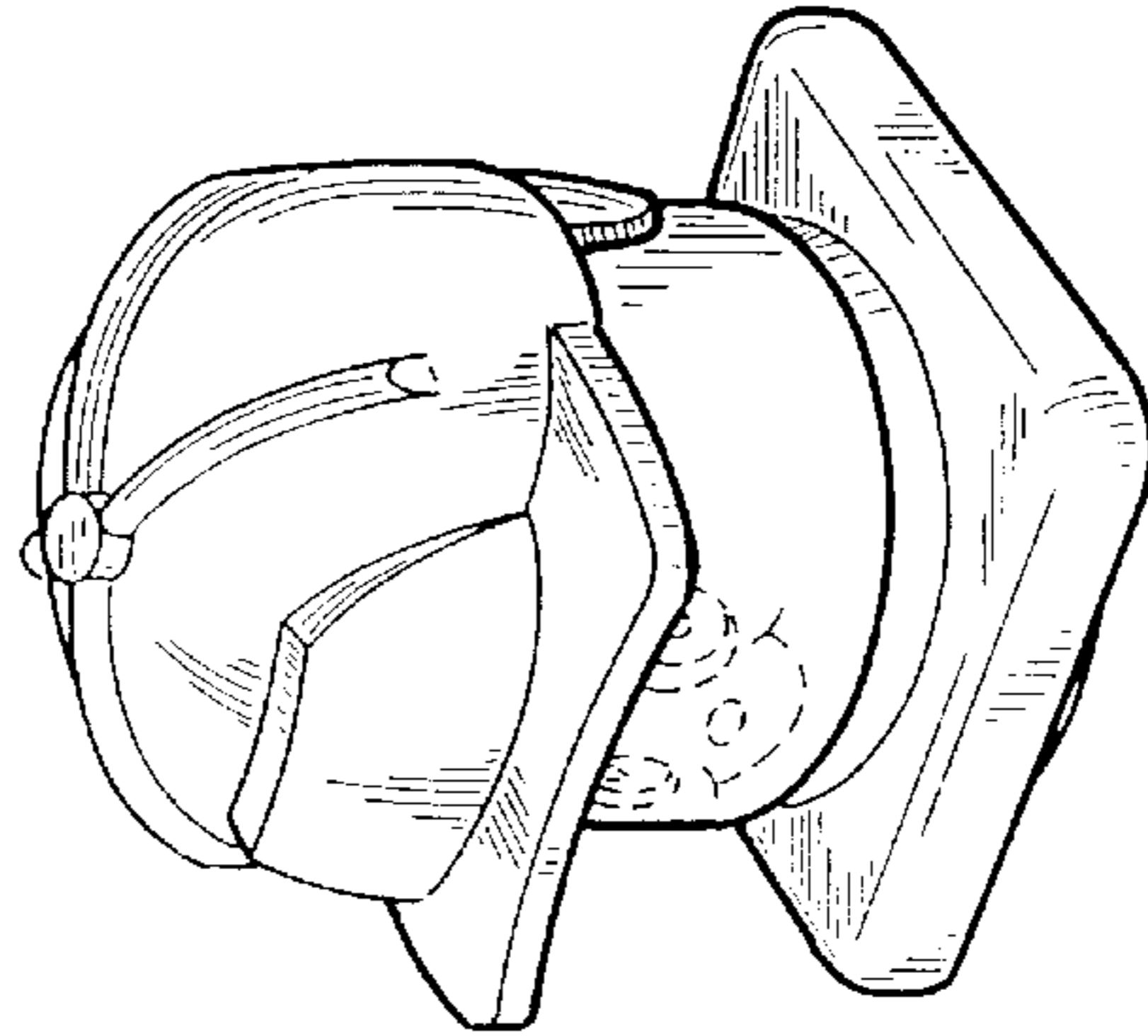


Fig. 7

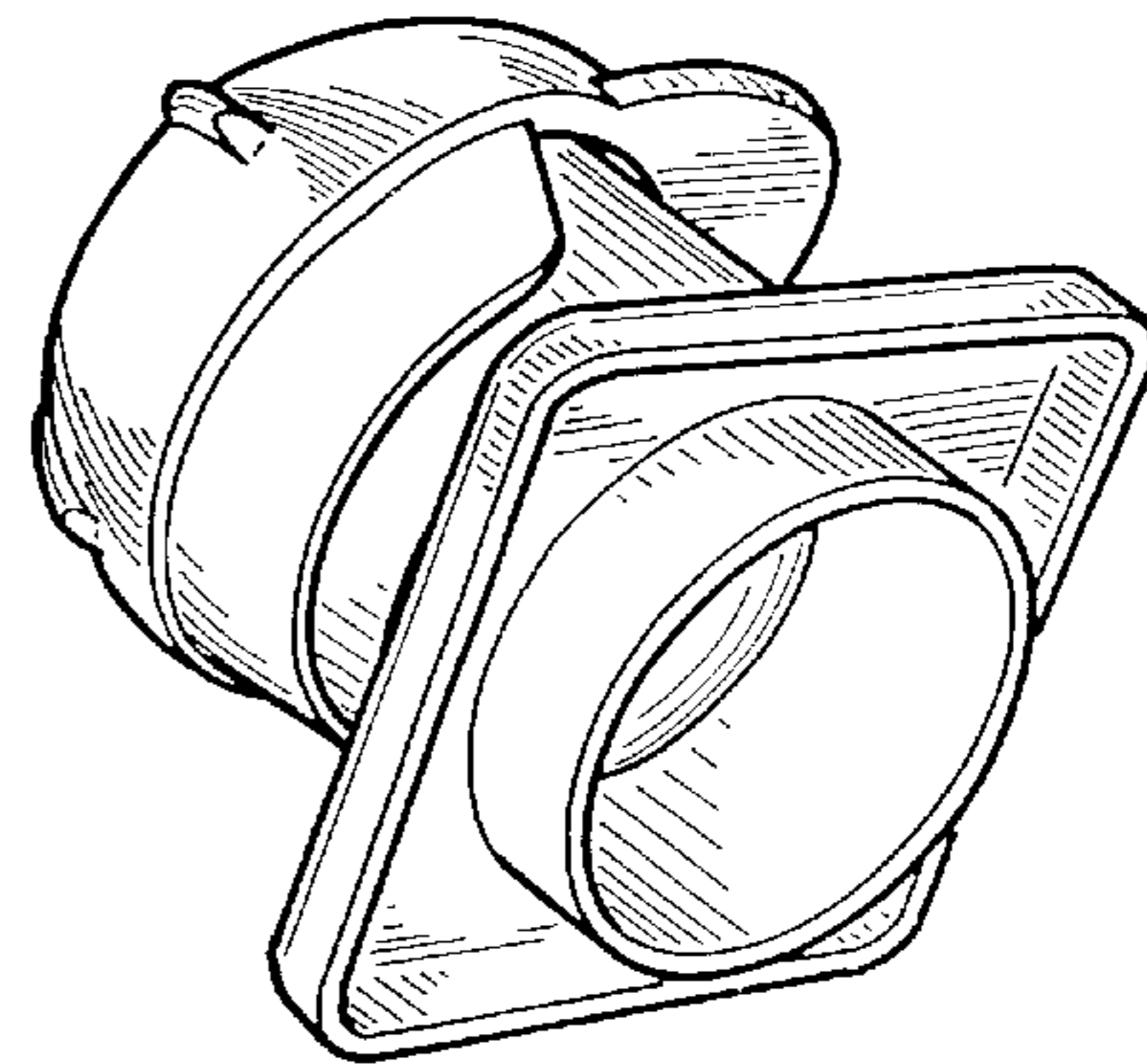


Fig. 8