



US00D481079S

(12) **United States Design Patent**  
**Wang**

(10) **Patent No.:** **US D481,079 S**

(45) **Date of Patent:** **\*\* Oct. 21, 2003**

(54) **BENT WING FOR FLYING TOY**

(76) Inventor: **Jung-Yuan (Jay) Wang**, 2026 Jacamar Court, Mississauga, Ontario (CA), L5R 3P5

(\*\*) Term: **14 Years**

(21) Appl. No.: **29/163,696**

(22) Filed: **Jul. 11, 2002**

(51) **LOC (7) Cl.** ..... **21-01**

(52) **U.S. Cl.** ..... **D21/436; D21/449; D21/453**

(58) **Field of Search** ..... D21/436, 445-454; 446/30-68, 230-232, 487, 488, 490; 244/153 R, 154, 155 R, 155 A, 900-903

(56) **References Cited**

**U.S. PATENT DOCUMENTS**

970,829	A	*	9/1910	Humphrey et al.	.....	446/59
1,356,381	A	*	10/1920	Mclaughlin	.....	244/154
1,571,472	A	*	2/1926	Gourtoff	.....	244/154
1,617,976	A	*	2/1927	Wickersham	.....	244/154
1,620,882	A	*	3/1927	Founds	.....	244/154
2,018,415	A	*	10/1935	Petrofske	.....	446/59
2,035,730	A	*	3/1936	Trevor	.....	244/154
2,785,871	A	*	3/1957	Flint et al.	.....	244/155 R
3,083,933	A	*	4/1963	Cella	.....	244/900 X

D407,126	S	*	3/1999	Wang	.....	D21/445
D432,187	S	*	10/2000	Wang	.....	D21/445
6,290,178	B1	*	9/2001	Wang	.....	244/153 R

\* cited by examiner

*Primary Examiner*—Ted Shooman

*Assistant Examiner*—C. Tuttle

(74) *Attorney, Agent, or Firm*—Bereskin & Parr

(57) **CLAIM**

The ornamental design for a bent wing for a flying toy, as shown and described.

**DESCRIPTION**

FIG. 1 is an isometric view from the above and to one side of the new design;

FIG. 2 is a right side elevation view thereof;

FIG. 3 is a left side elevation view thereof;

FIG. 4 is a front elevation view thereof;

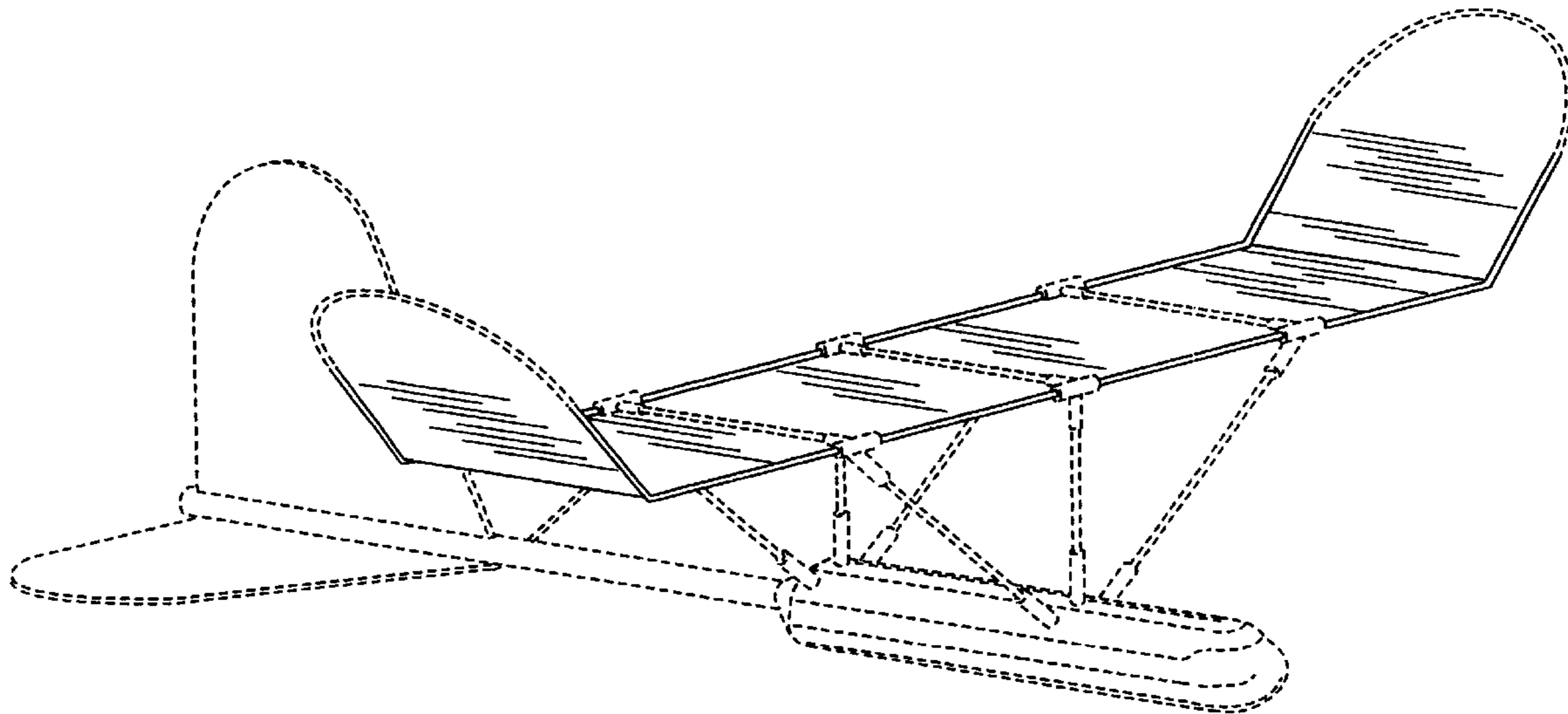
FIG. 5 is a rear elevation view thereof;

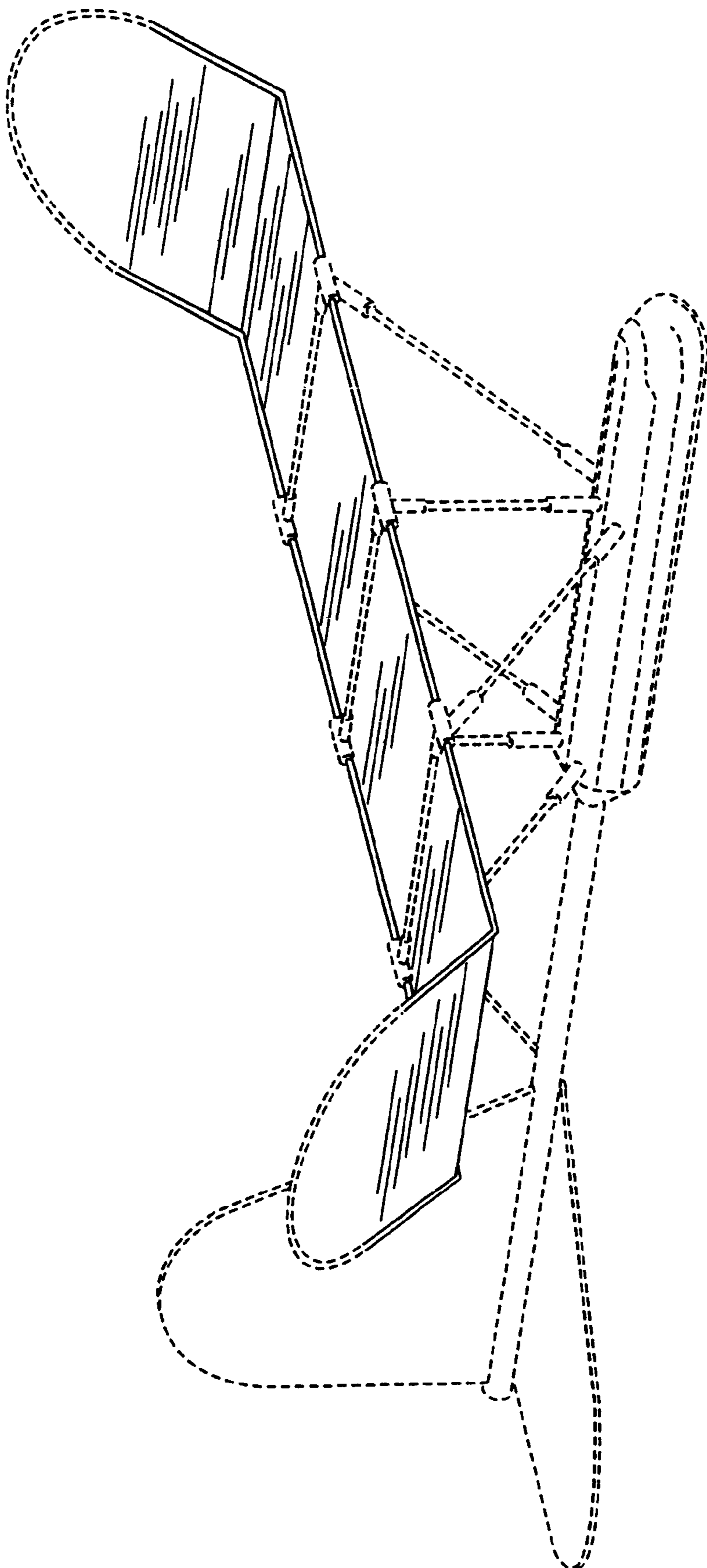
FIG. 6 is a top plan view thereof; and,

FIG. 7 is a bottom plan view thereof.

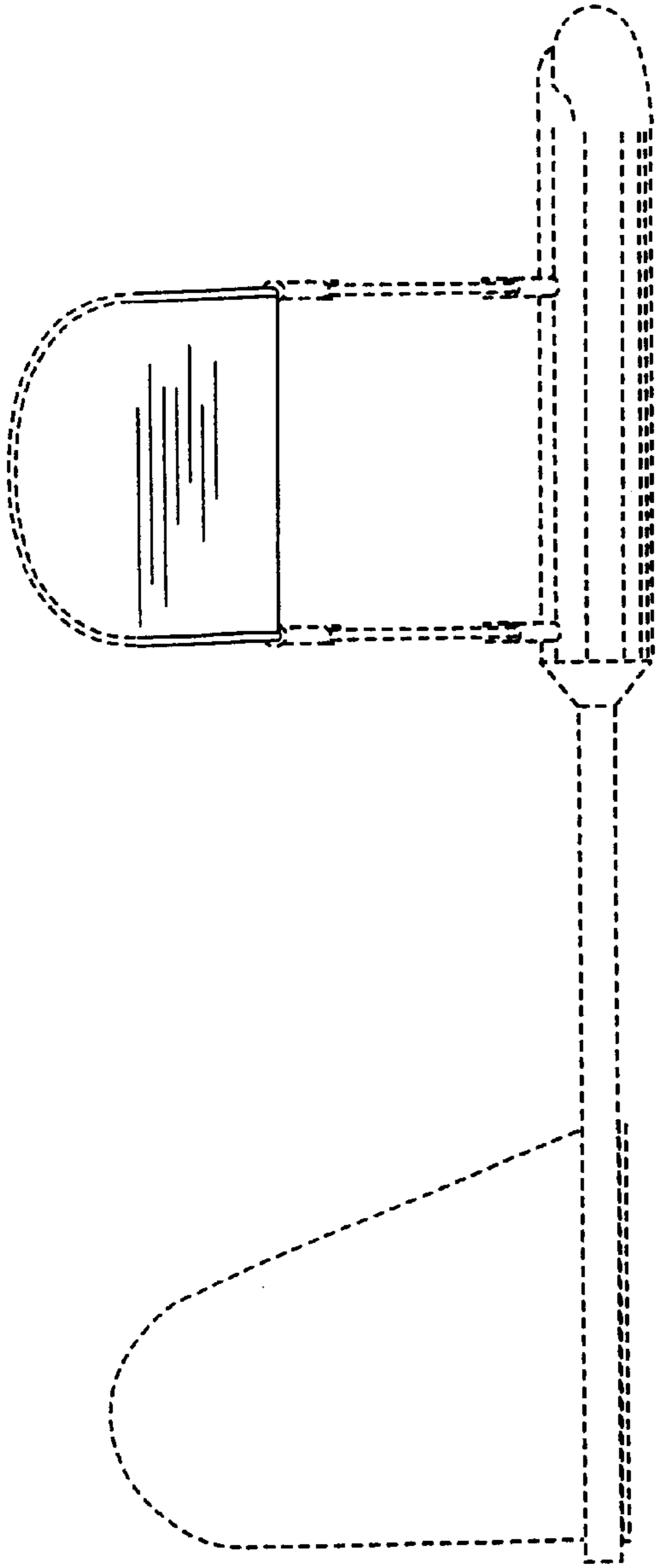
The portions of the bent wing for a flying toy shown in broken lines are for illustrative purposes only and form no part of the claimed design.

**1 Claim, 5 Drawing Sheets**

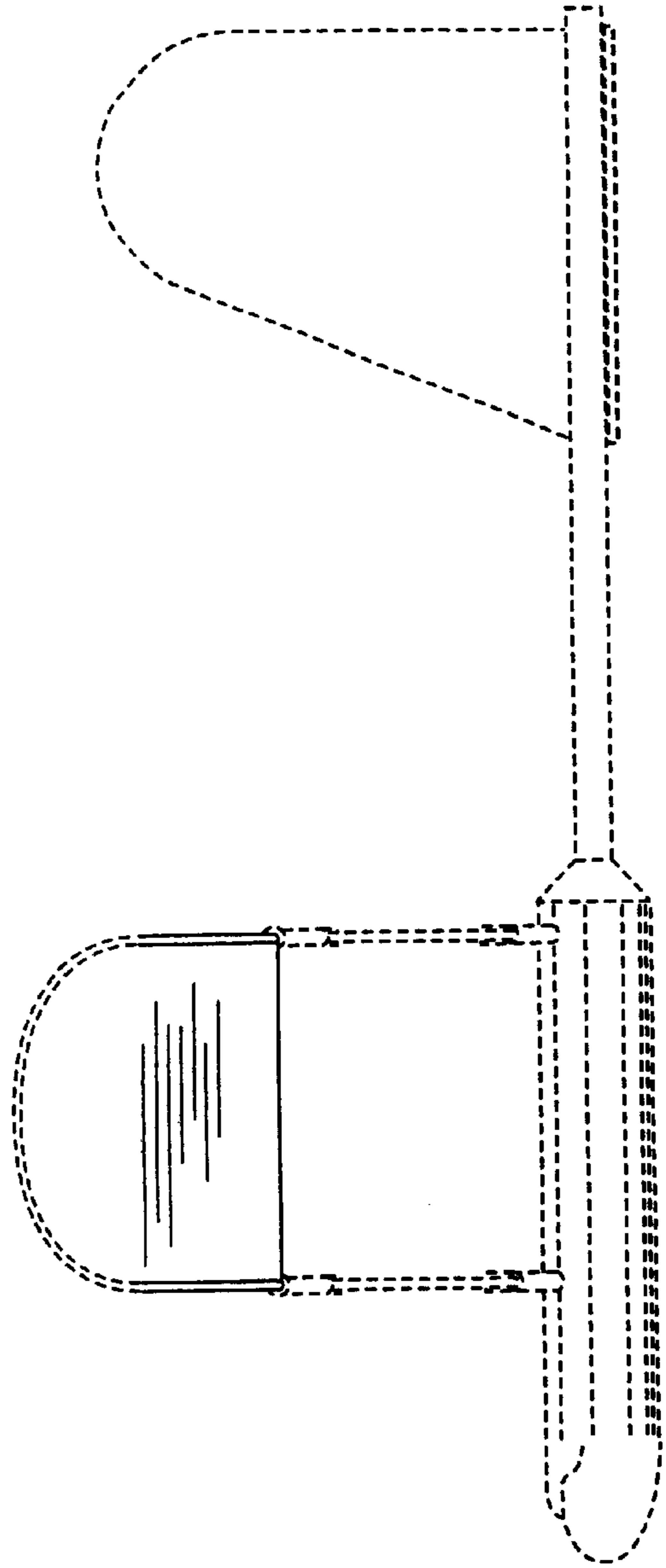




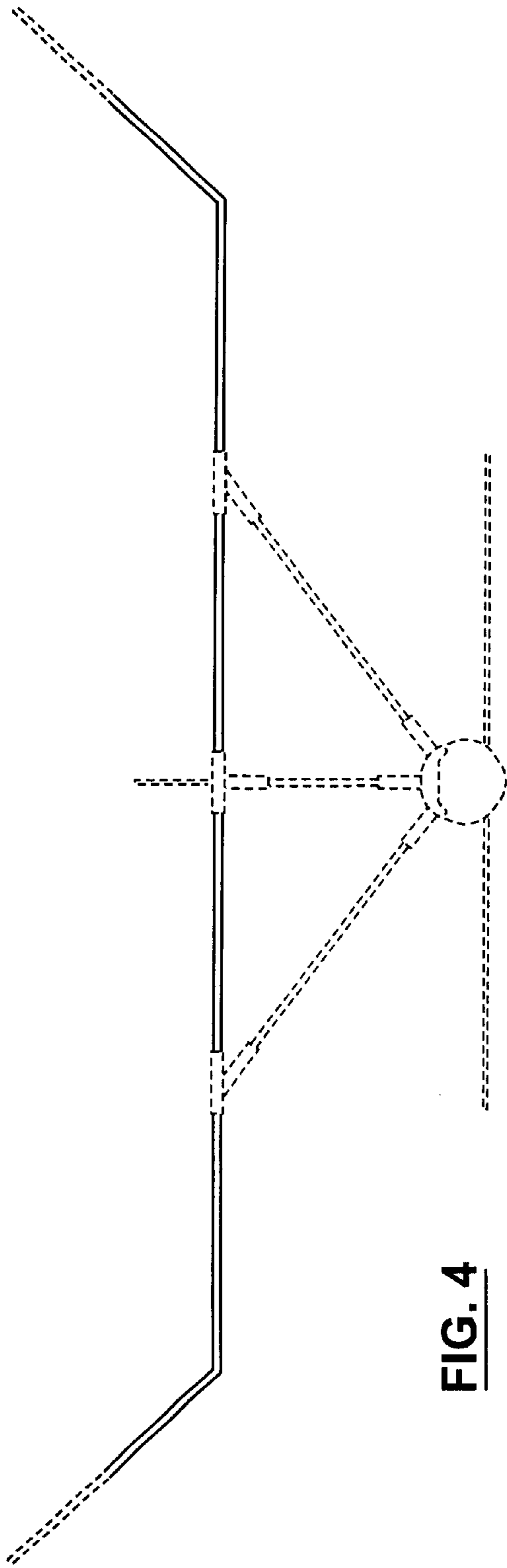
**FIG. 1**



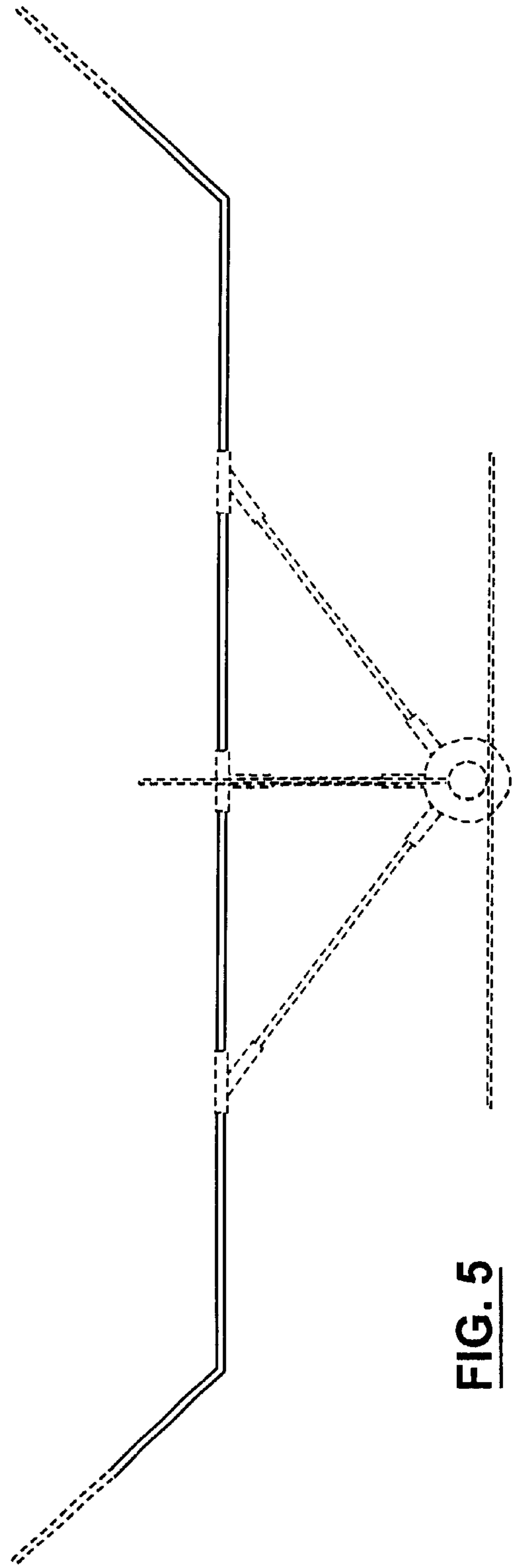
**FIG. 2**



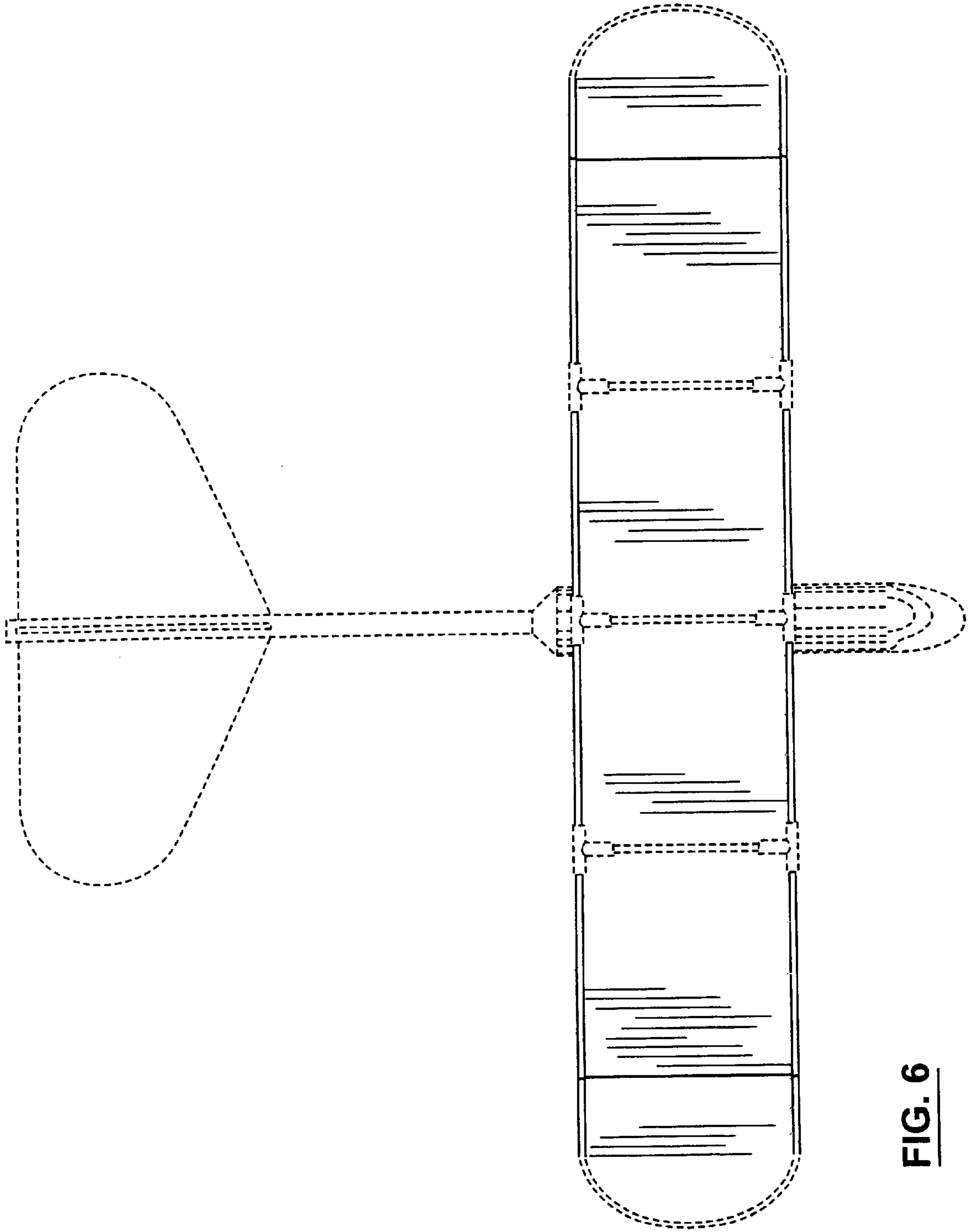
**FIG. 3**



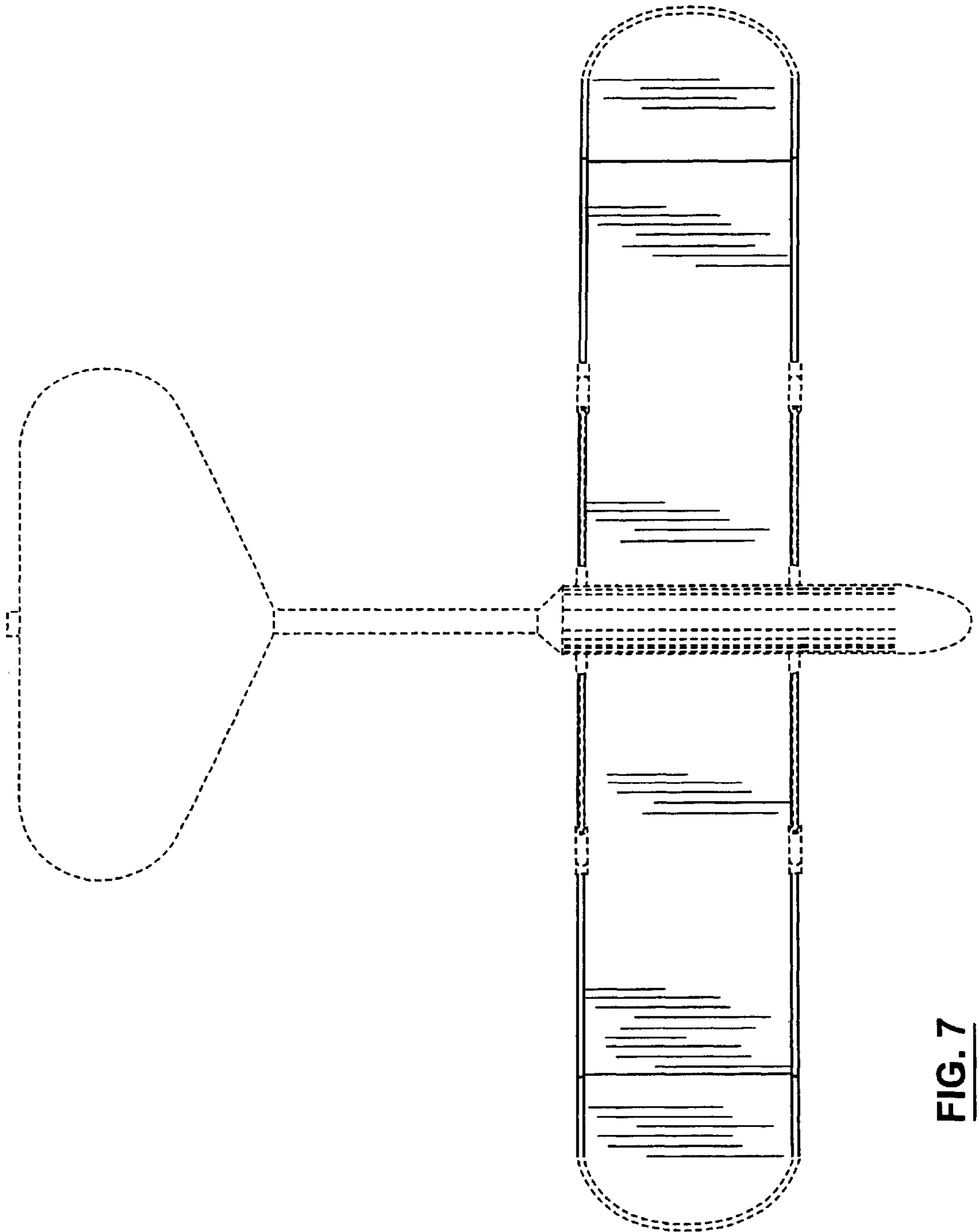
**FIG. 4**



**FIG. 5**



**FIG. 6**



**FIG. 7**