



US00D481078S

(12) **United States Design Patent**
Stephan

(10) **Patent No.:** **US D481,078 S**

(45) **Date of Patent:** **** Oct. 21, 2003**

(54) **MULTI-PANEL VIDEO DISPLAY UNIT
GAMING DEVICE**

DESCRIPTION

(75) Inventor: **Don Stephan**, Carson City, NV (US)

(73) Assignee: **Innovative Gaming Corporation of America**, Las Vegas, NV (US)

(**) Term: **14 Years**

(21) Appl. No.: **29/129,487**

(22) Filed: **Sep. 14, 2000**

(51) **LOC (7) Cl.** **21-03**

(52) **U.S. Cl.** **D21/369**

(58) **Field of Search** D14/306; D21/369-371,
D21/324-325; 463/16, 30-35, 45-47

(56) **References Cited**

U.S. PATENT DOCUMENTS

D275,117 S	*	8/1984	Heywood	D21/370
D380,014 S	*	6/1997	Yang	D21/370
D381,700 S	*	7/1997	Brettschneider	D21/370
D415,124 S	*	10/1999	Rooyakkers et al.	D14/306
D428,864 S	*	8/2000	Rooyakkers et al.	D14/306
D443,312 S	*	6/2001	Brettschneider	D21/369
D448,811 S	*	10/2001	Brettschneider	D21/370
6,334,612 B1	*	1/2002	Wurz et al.	463/46
D455,791 S	*	4/2002	Nakahara et al.	D21/325

* cited by examiner

Primary Examiner—Sandra L. Morris
(74) *Attorney, Agent, or Firm*—Merchant & Gould PC

(57) **CLAIM**

The ornamental design for a multi-panel video display unit gaming device, as shown and described.

FIG. 1 illustrates a perspective view of a three-panel embodiment of a multi-panel gaming device according to the present invention.

FIG. 2 illustrates a front view of a three-panel embodiment of a multi-panel gaming device according to the present invention.

FIG. 3 illustrates a top view of a three-panel embodiment of a multi-panel gaming device according to the present invention.

FIG. 4 illustrates a front view of a three-panel embodiment of a multi-panel gaming device illustrating the modular design of the gaming device having a computer enclosure and display unit and a wager and prize unit according to the present invention.

FIG. 5 illustrates a perspective view of a two-panel embodiment of a multi-panel gaming device according to the present invention.

FIG. 6 illustrates a front view of a two-panel embodiment of a multi-panel gaming device according to the present invention.

FIG. 7 illustrates a top view of a two-panel embodiment of a multi-panel gaming device according to the present invention; and,

FIG. 8 illustrates a front view of a two-panel embodiment of a multi-panel gaming device illustrating the modular design of the gaming device having a computer enclosure and display unit and a wager and prize unit according to the present invention.

1 Claim, 8 Drawing Sheets

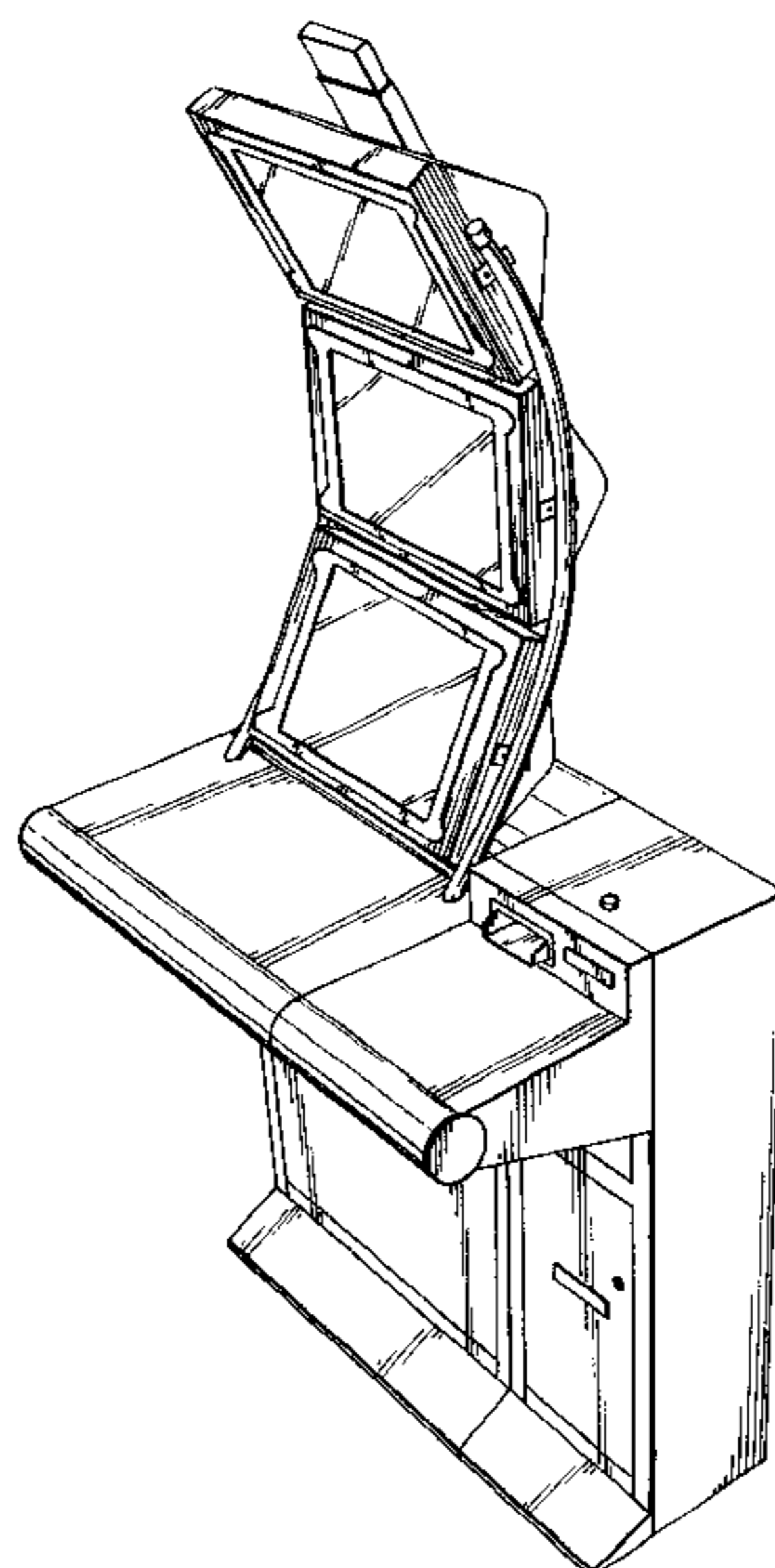


FIG. 1

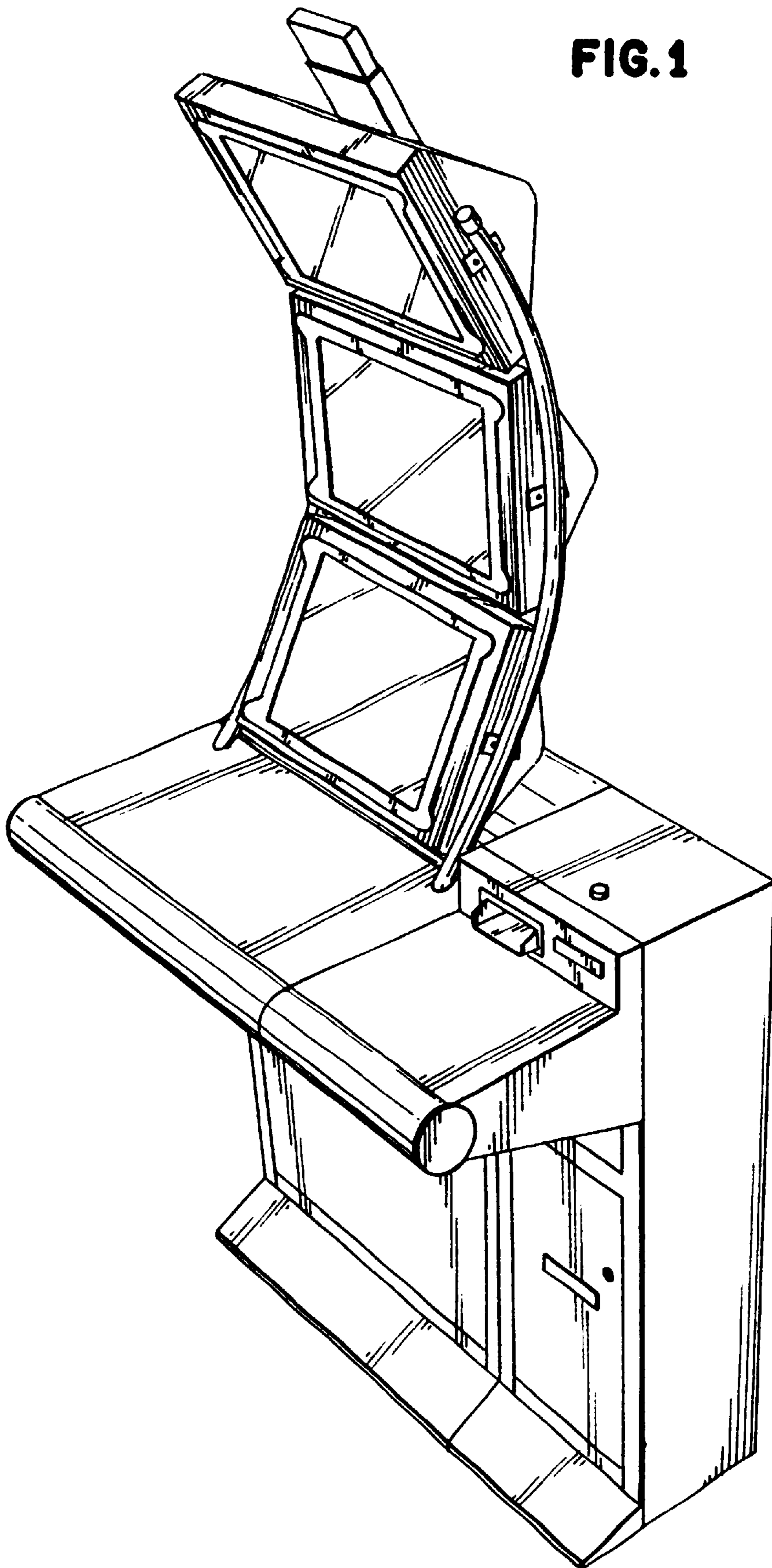


FIG. 2

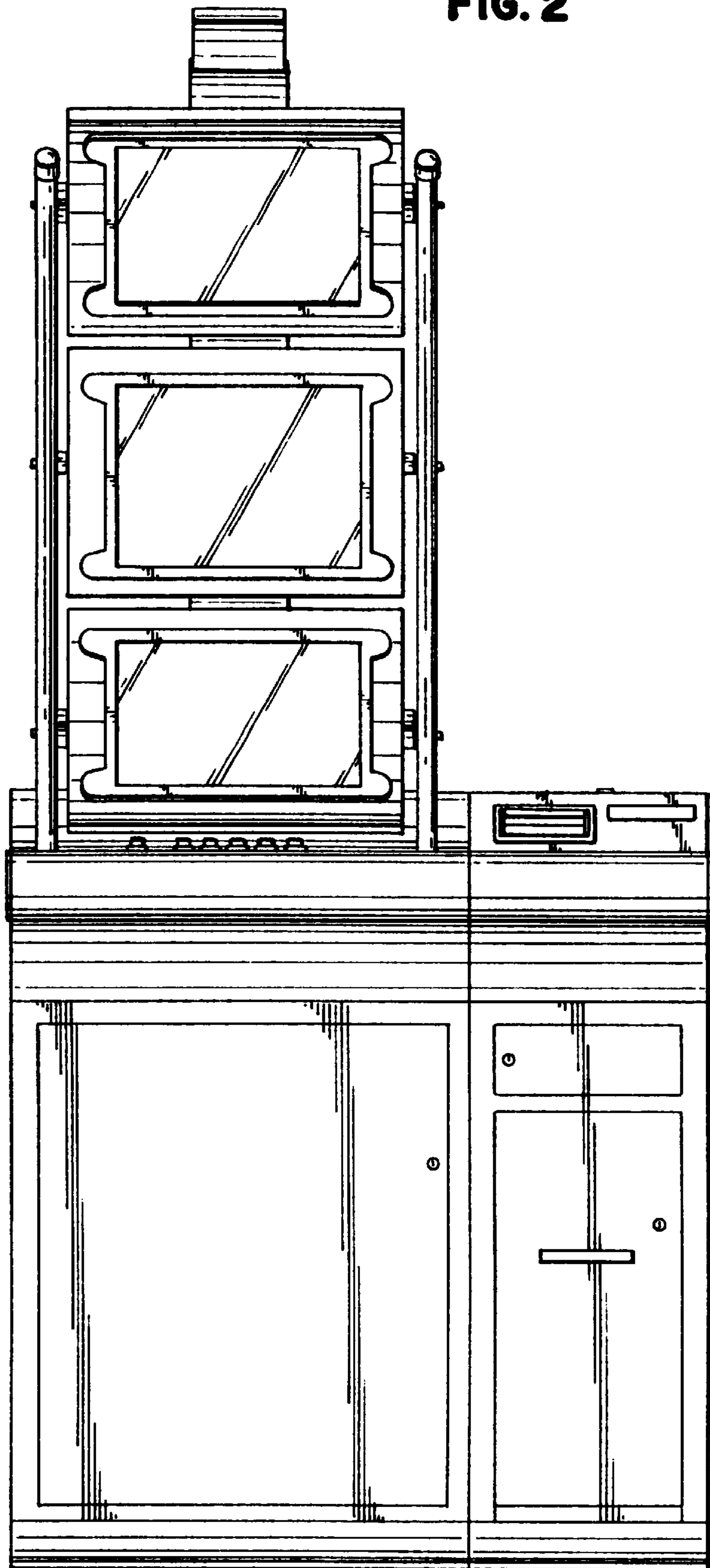
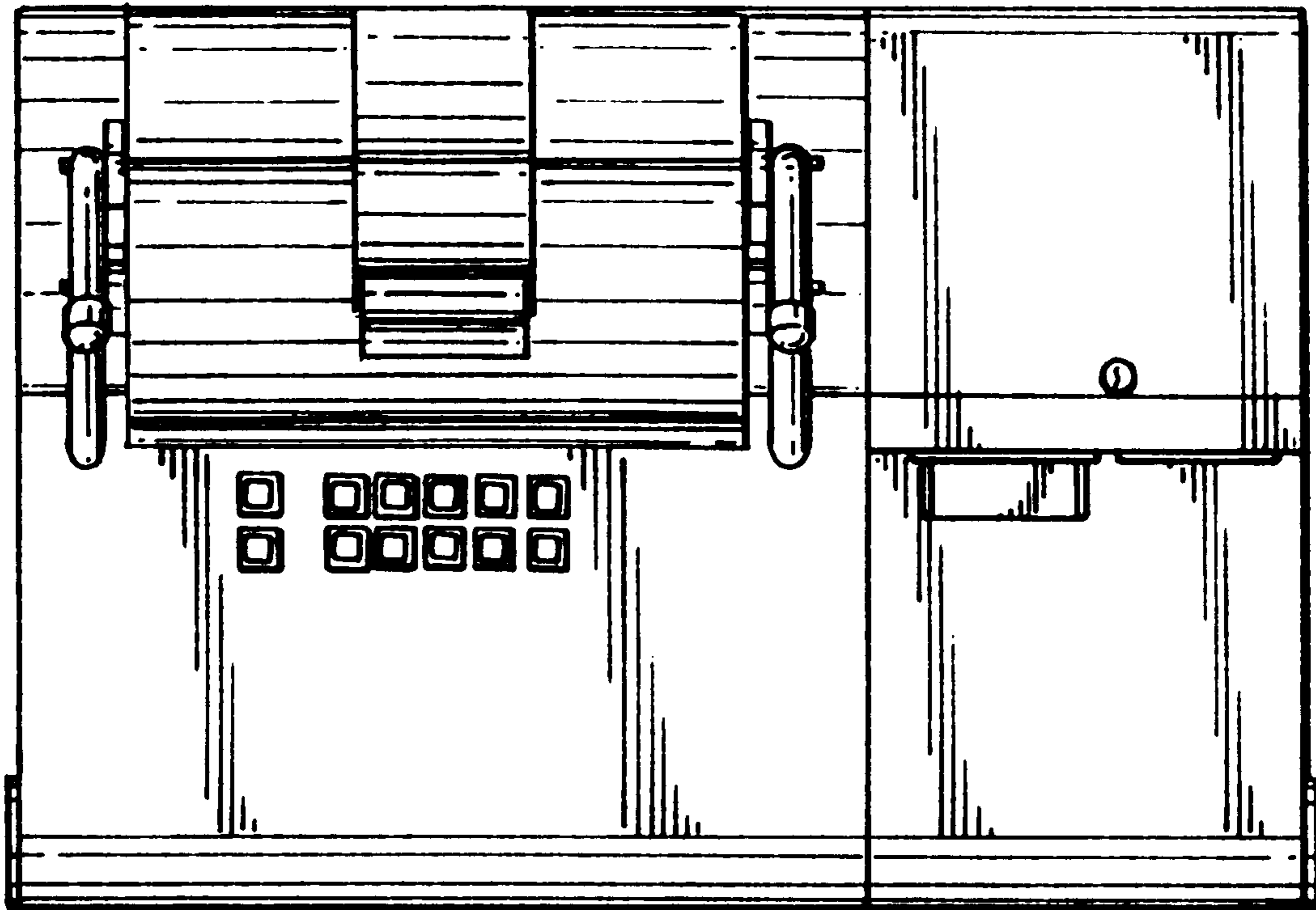


FIG. 3



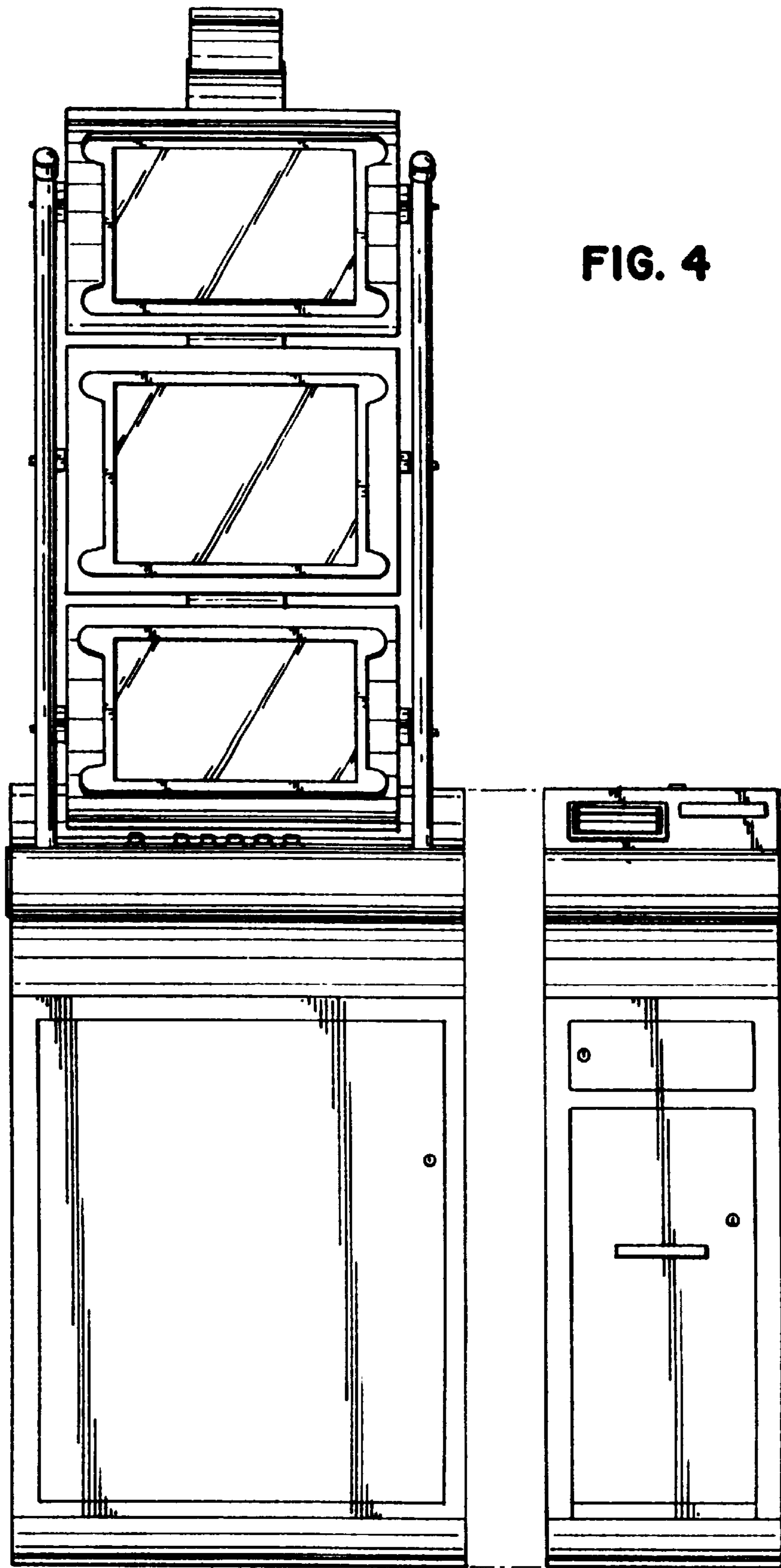


FIG. 4

FIG. 5

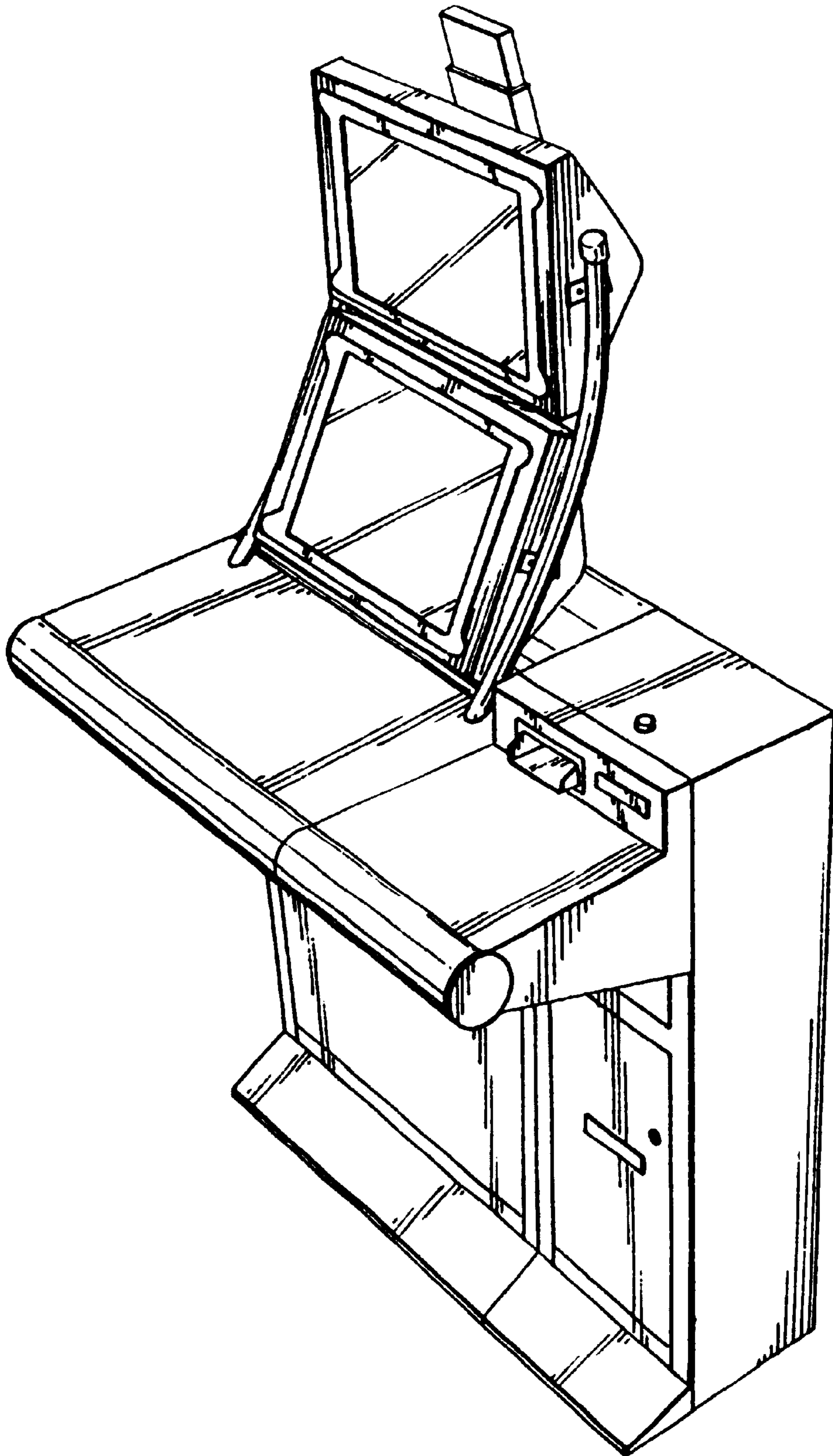


FIG. 6

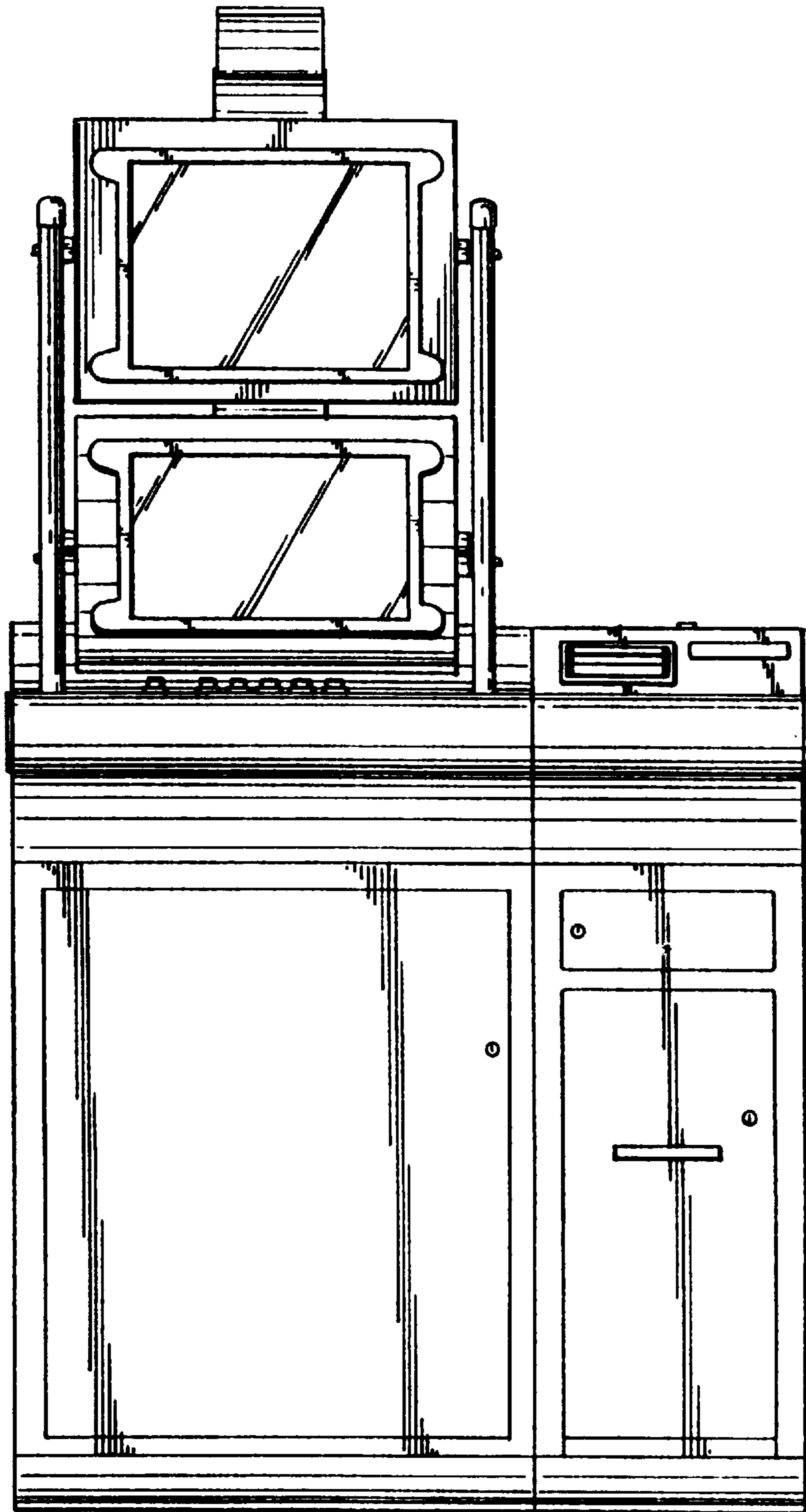
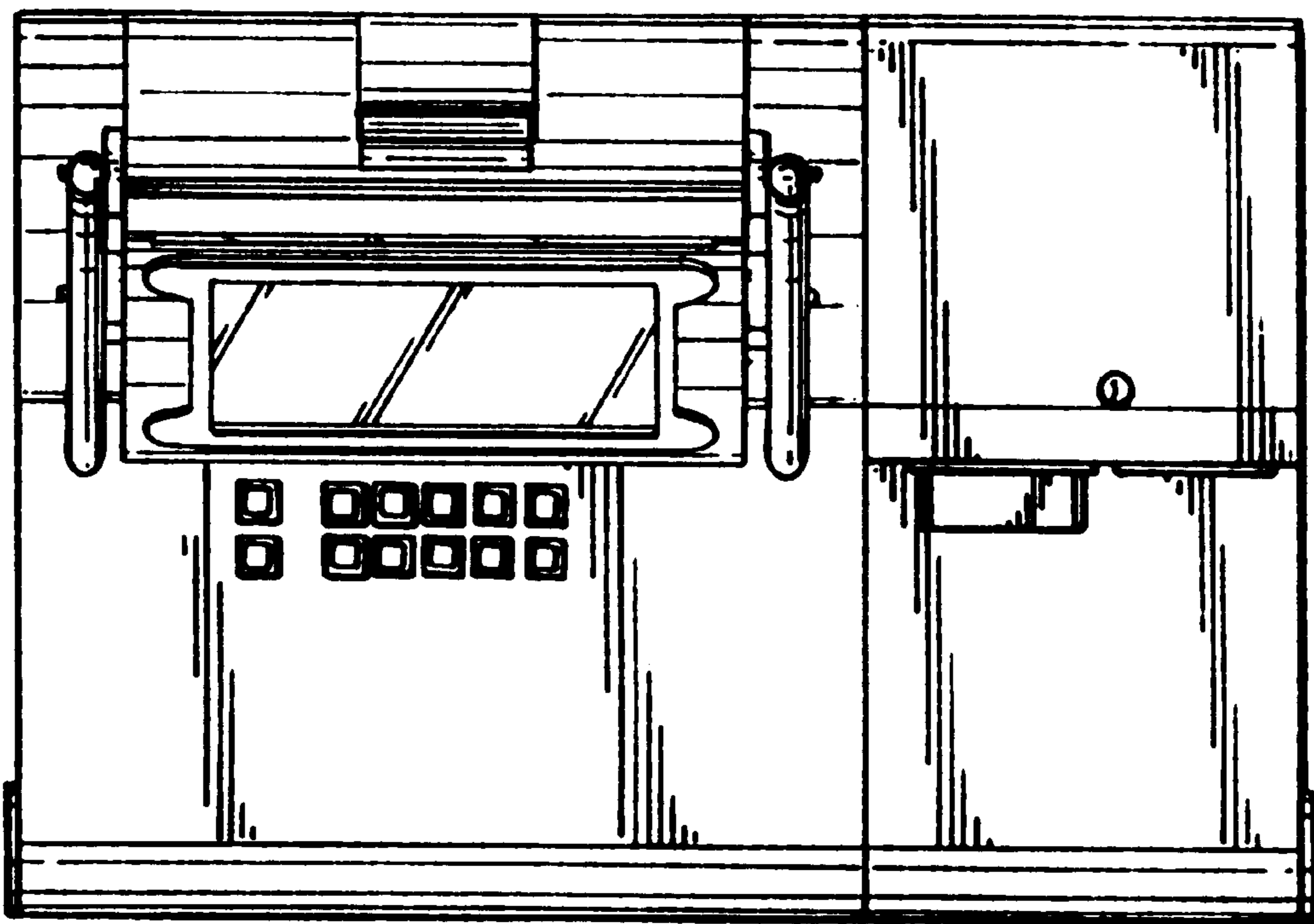


FIG. 7



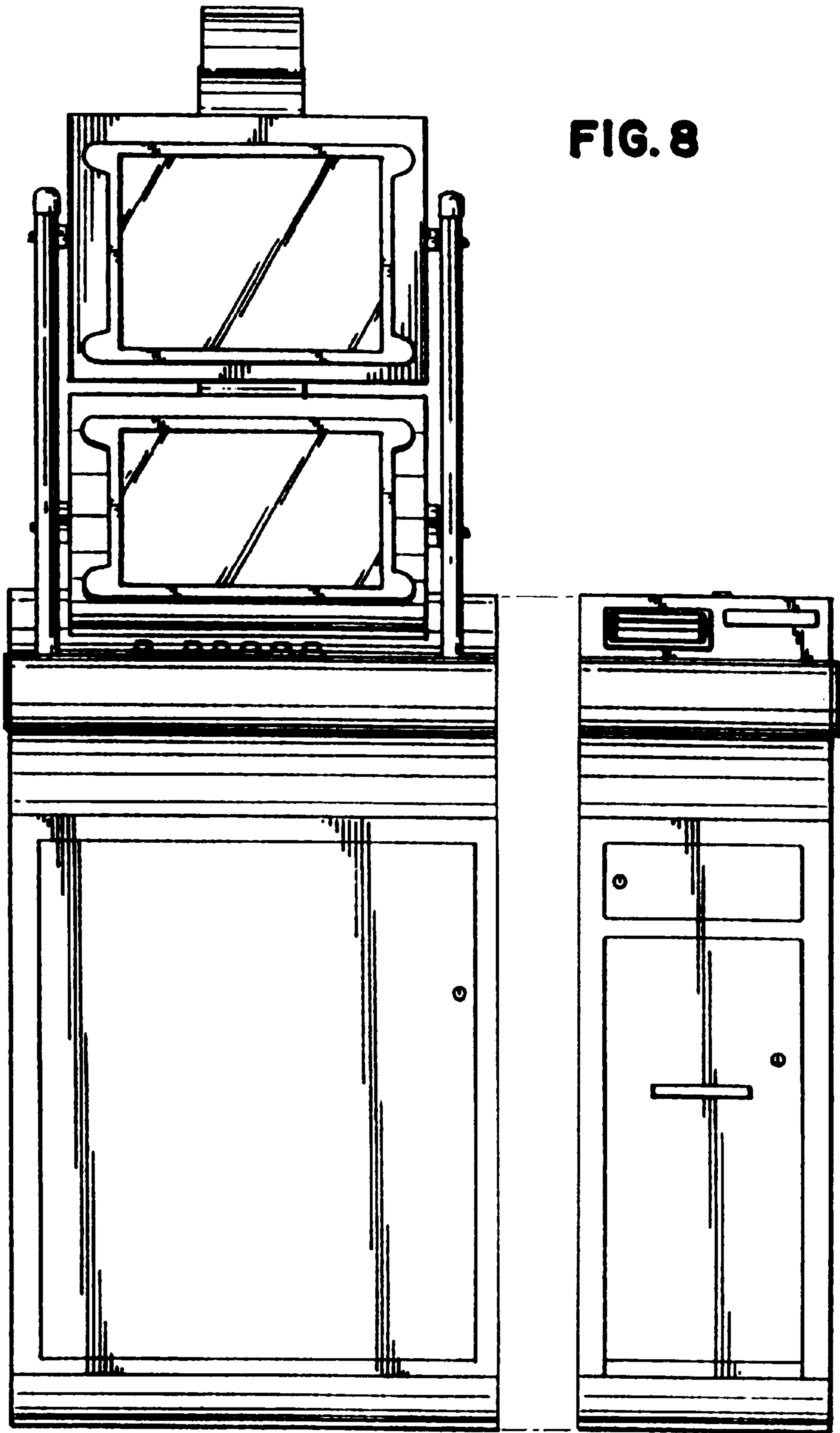


FIG. 8