



US00D481077S

(12) **United States Design Patent**
Sirotic

(10) **Patent No.:** **US D481,077 S**

(45) **Date of Patent:** **** Oct. 21, 2003**

(54) **AMUSEMENT DEVICE**

(76) **Inventor:** **Aldo Sirotic**, 20 Statler Ave.,
Etobicoke, Ontario (CA), M9B 1G5

(**) **Term:** **14 Years**

(21) **Appl. No.:** **29/171,829**

(22) **Filed:** **Dec. 2, 2002**

(51) **LOC (7) Cl.** **21-01**

(52) **U.S. Cl.** **D21/302**

(58) **Field of Search** D21/300, 301,
D21/302, 304, 308; 273/317, 336, 348,
407, 351, 281, 287; 116/222-225

(56) **References Cited**

U.S. PATENT DOCUMENTS

D70,510 S	*	7/1926	Schacht	D21/304
1,616,236 A	*	2/1927	Schacht	273/336
1,926,920 A	*	9/1933	Smith	D21/336
3,556,526 A	*	1/1971	Currie	273/239
3,977,678 A	*	8/1976	Hedberg	273/336

4,281,834 A	*	8/1981	Chavez	273/407
D266,678 S	*	10/1982	Herrman	D21/304
D269,686 S	*	7/1983	Hoel	D21/324
D341,382 S	*	11/1993	Deming et al.	D21/304
D384,109 S		9/1997	Sirotic		

* cited by examiner

Primary Examiner—Prabhakar Deshmukh
(74) *Attorney, Agent, or Firm*—Merek, Blackmon & Voorhees, LLC

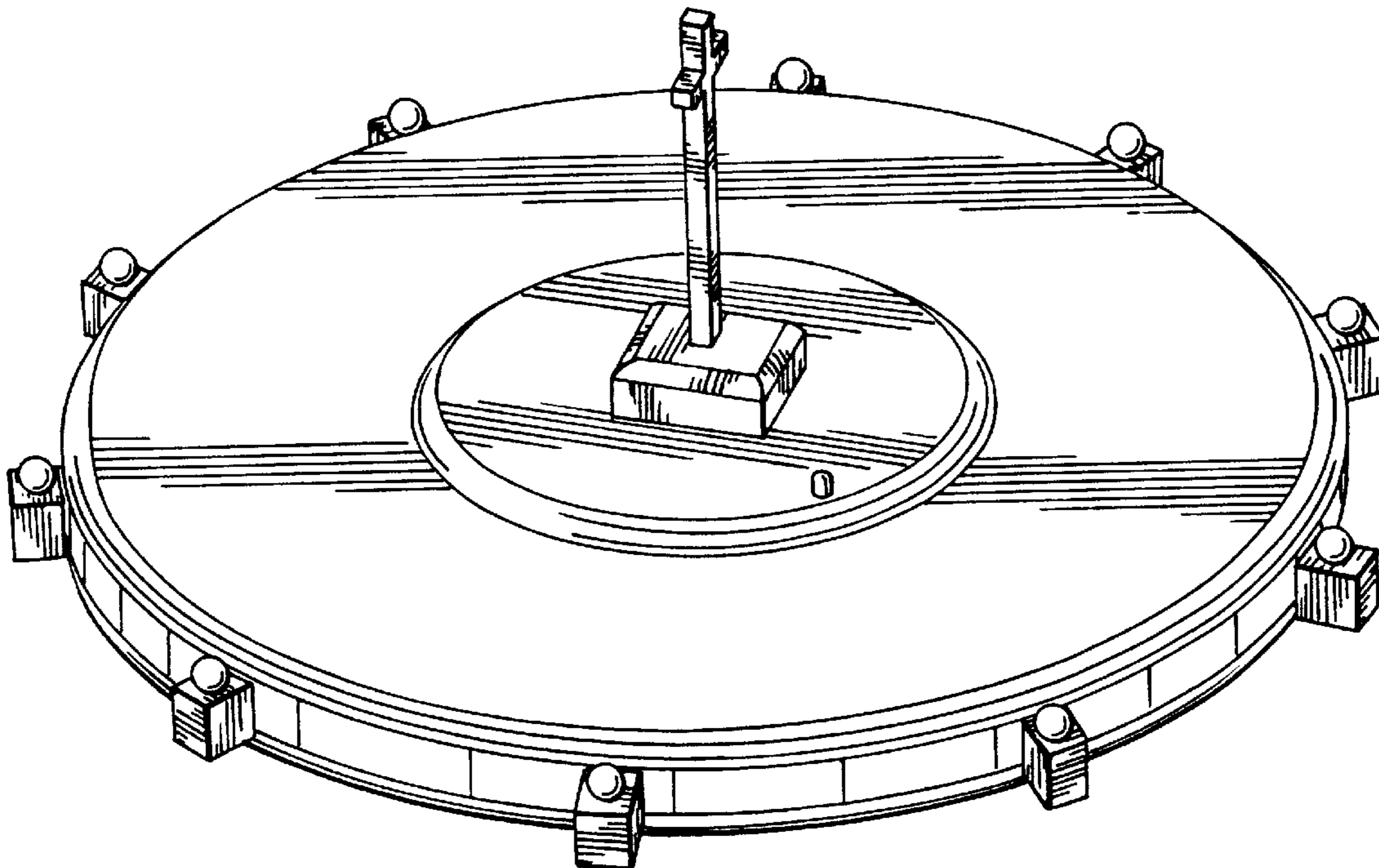
(57) **CLAIM**

The ornamental design for an amusement device, as shown and described.

DESCRIPTION

FIG. 1 is an upper side perspective view of my amusement device;
FIG. 2 is a top plan view thereof;
FIG. 3 is a front side elevational view thereof; and,
FIG. 4 is a bottom view thereof.

1 Claim, 3 Drawing Sheets



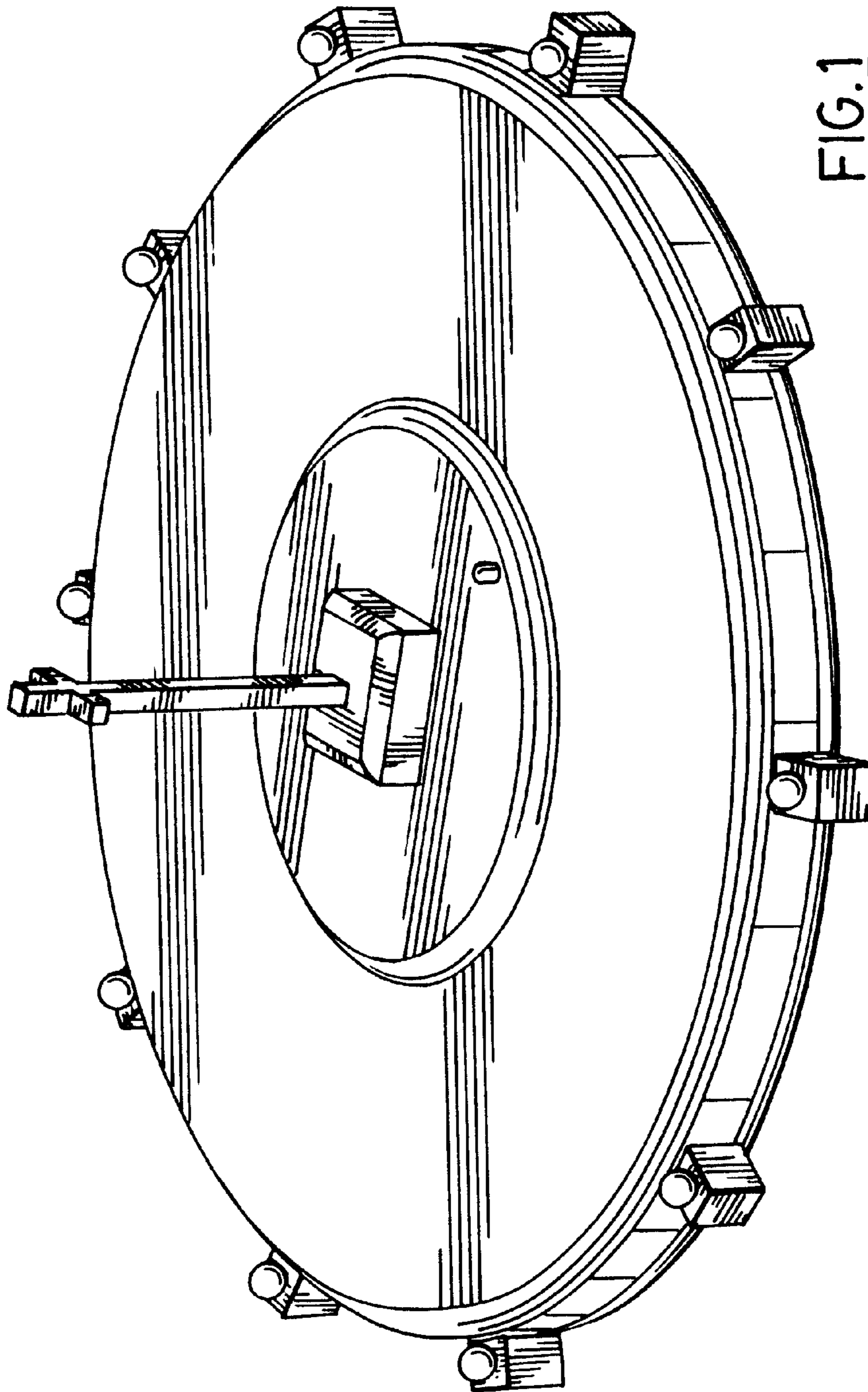


FIG. 1

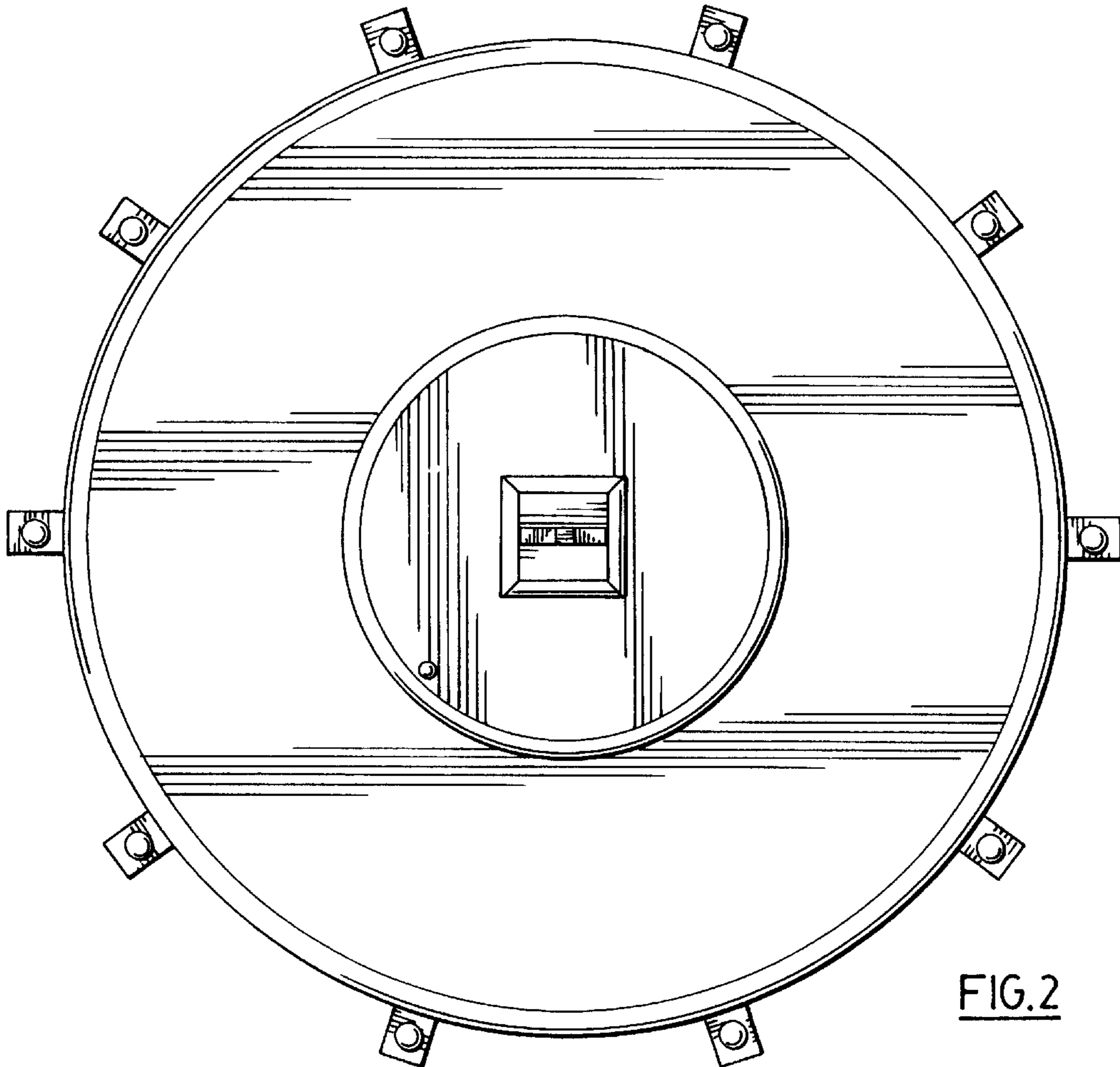


FIG. 2

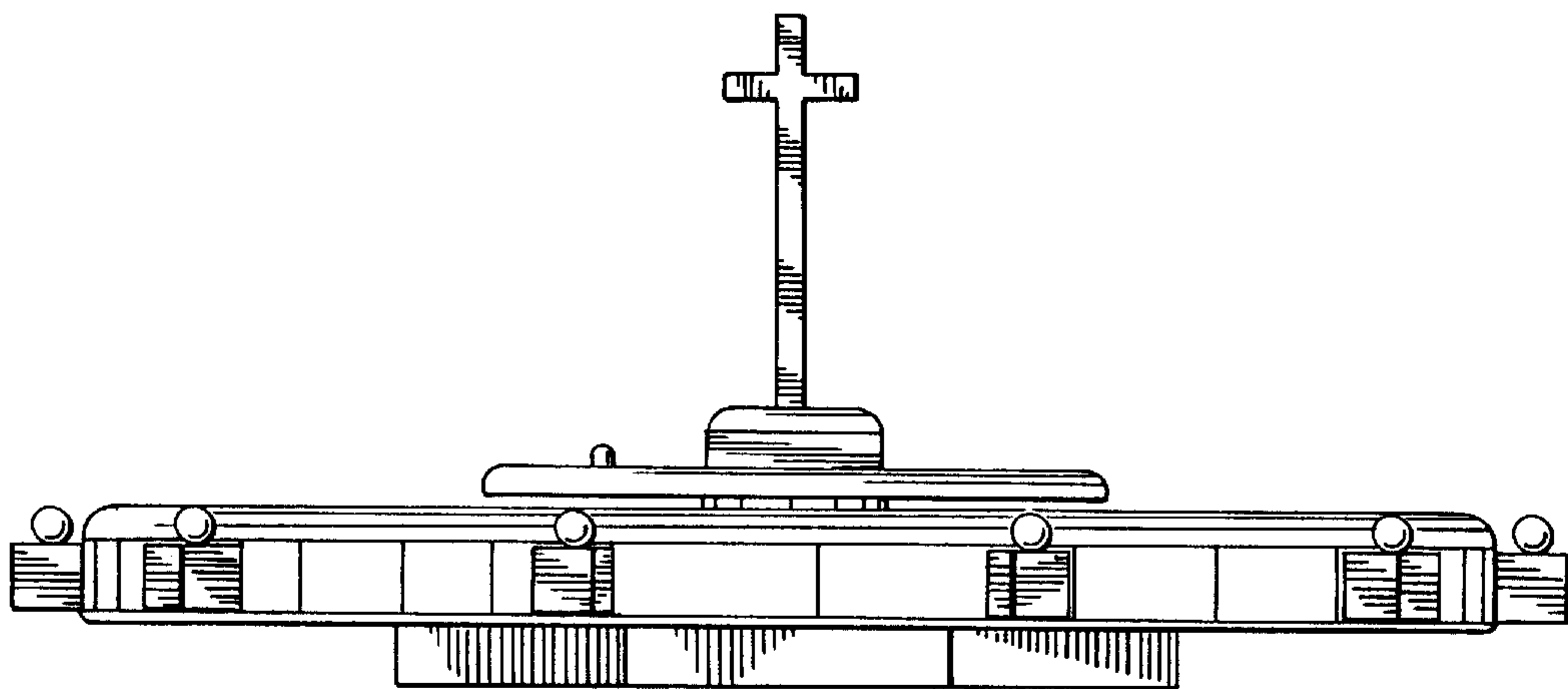


FIG. 3

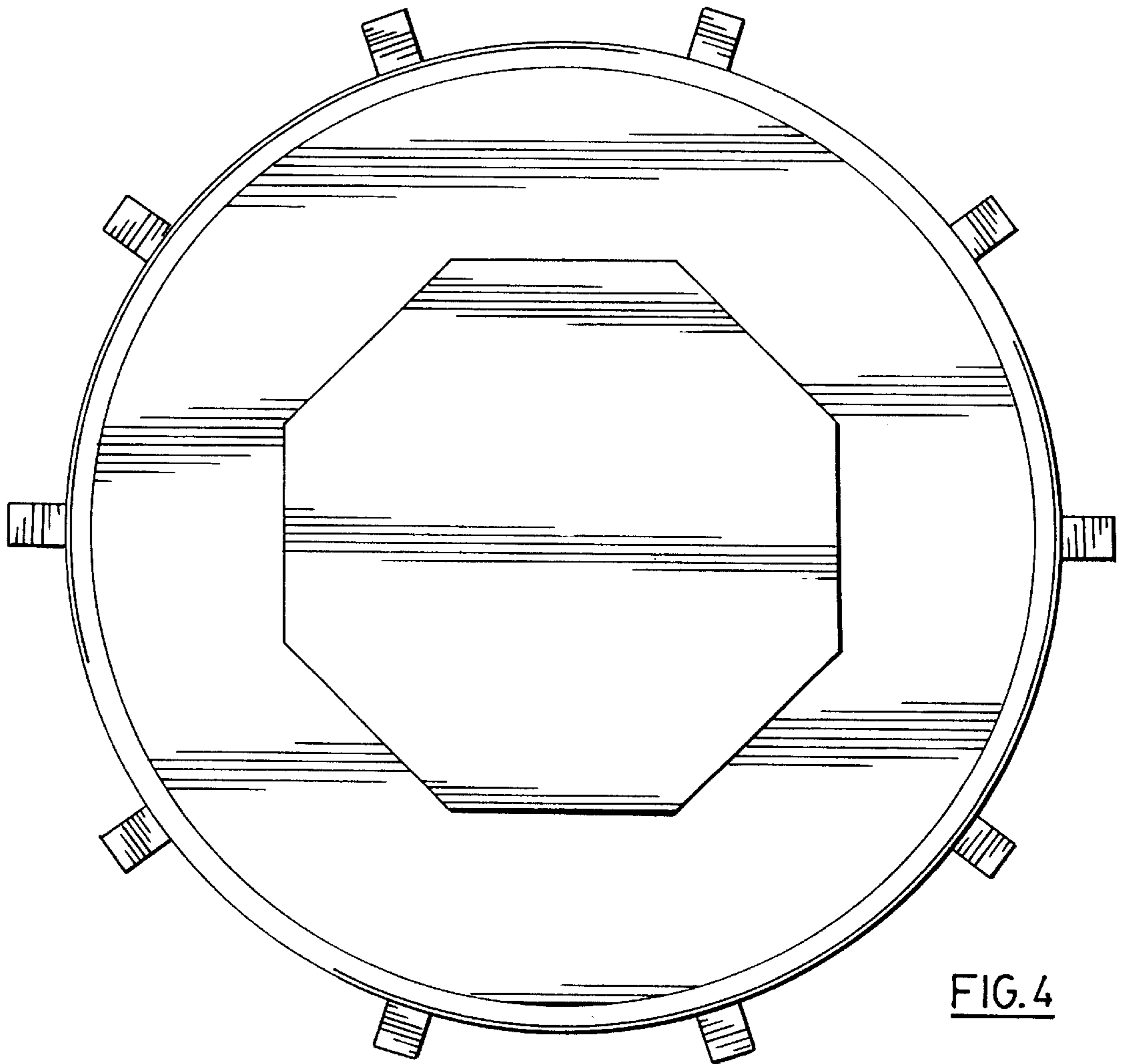


FIG. 4