



US00D481075S

(12) **United States Design Patent**
Chang

(10) **Patent No.:** **US D481,075 S**

(45) **Date of Patent:** **** Oct. 21, 2003**

(54) **SORTER**

(76) **Inventor:** **Chun-Yuan Chang**, 58, Ma Yuan West St., Taichung (TW)

(**) **Term:** **14 Years**

(21) **Appl. No.:** **29/171,087**

(22) **Filed:** **Nov. 13, 2002**

(51) **LOC (7) Cl.** **19-02**

(52) **U.S. Cl.** **D19/90; D19/75**

(58) **Field of Search** D3/312; D19/65, D19/75, 78, 86, 90, 91, 95, 99, 100; D6/462; 211/10, 11, 40, 41.1, 41.12, 41.13, 42, 50, 51, 87.01, 126.13; 206/424, 425

(56) **References Cited**

U.S. PATENT DOCUMENTS

- D227,191 S * 6/1973 Cape D3/312
- D265,743 S * 8/1982 Meyer et al. D19/90
- D278,773 S * 5/1985 Licari et al. D6/462

- D289,181 S * 4/1987 Solomon D19/90
- D299,037 S * 12/1988 Klodt D19/90
- D299,657 S * 1/1989 Hwang D19/90
- D335,309 S * 5/1993 Evenson D19/90
- D351,621 S * 10/1994 Terzian D19/90

* cited by examiner

Primary Examiner—Martie K. Holtje

(57) **CLAIM**

The ornamental design for a sorter, as shown and described.

DESCRIPTION

FIG. 1 is a perspective view of a sorter showing my new design;

FIG. 2 is a front elevational view thereof;

FIG. 3 is a rear elevational view thereof;

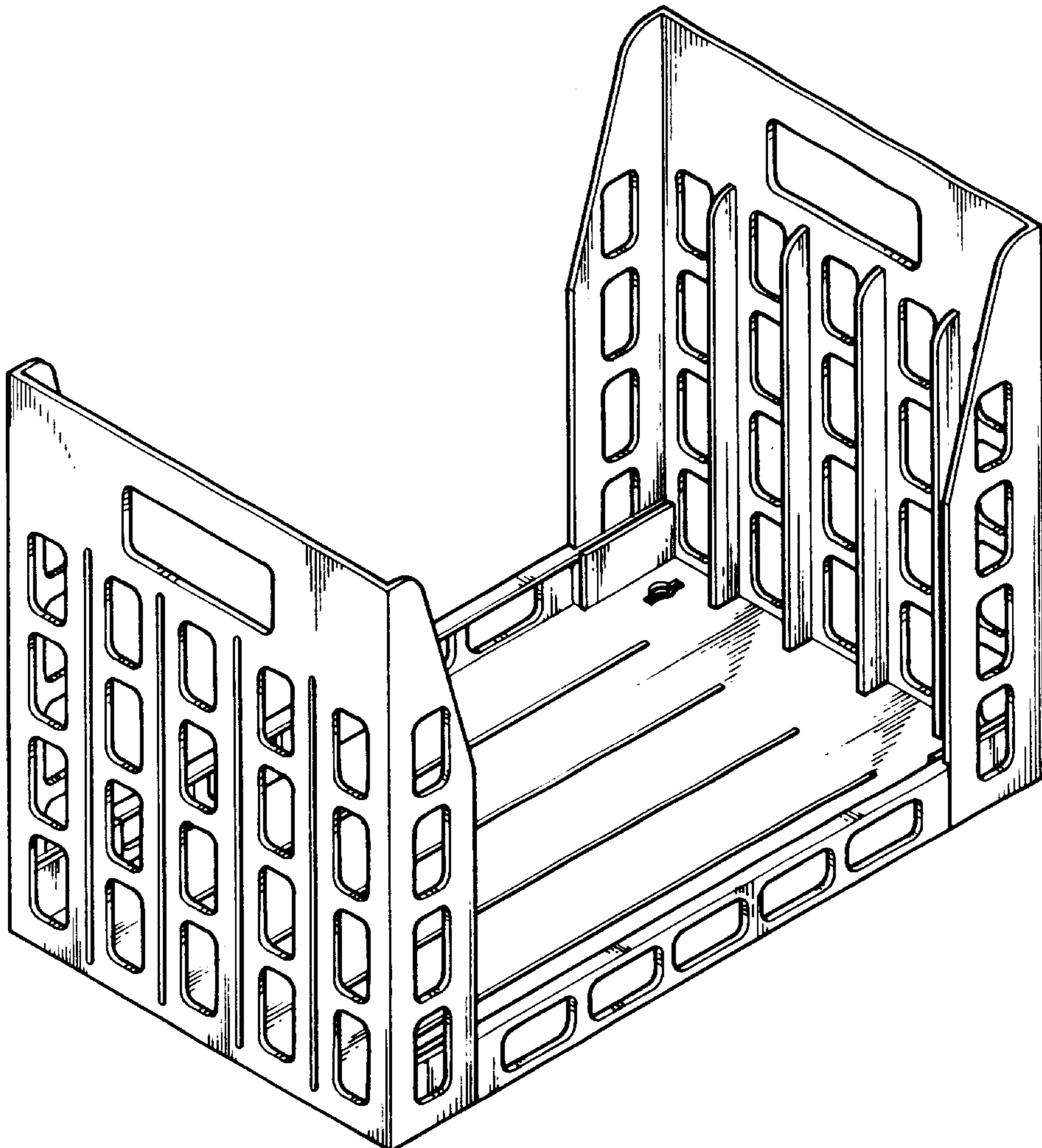
FIG. 4 is a left side elevational view thereof;

FIG. 5 is a right side elevational view thereof;

FIG. 6 is a top plan view thereof; and,

FIG. 7 is a bottom plan view thereof.

1 Claim, 4 Drawing Sheets



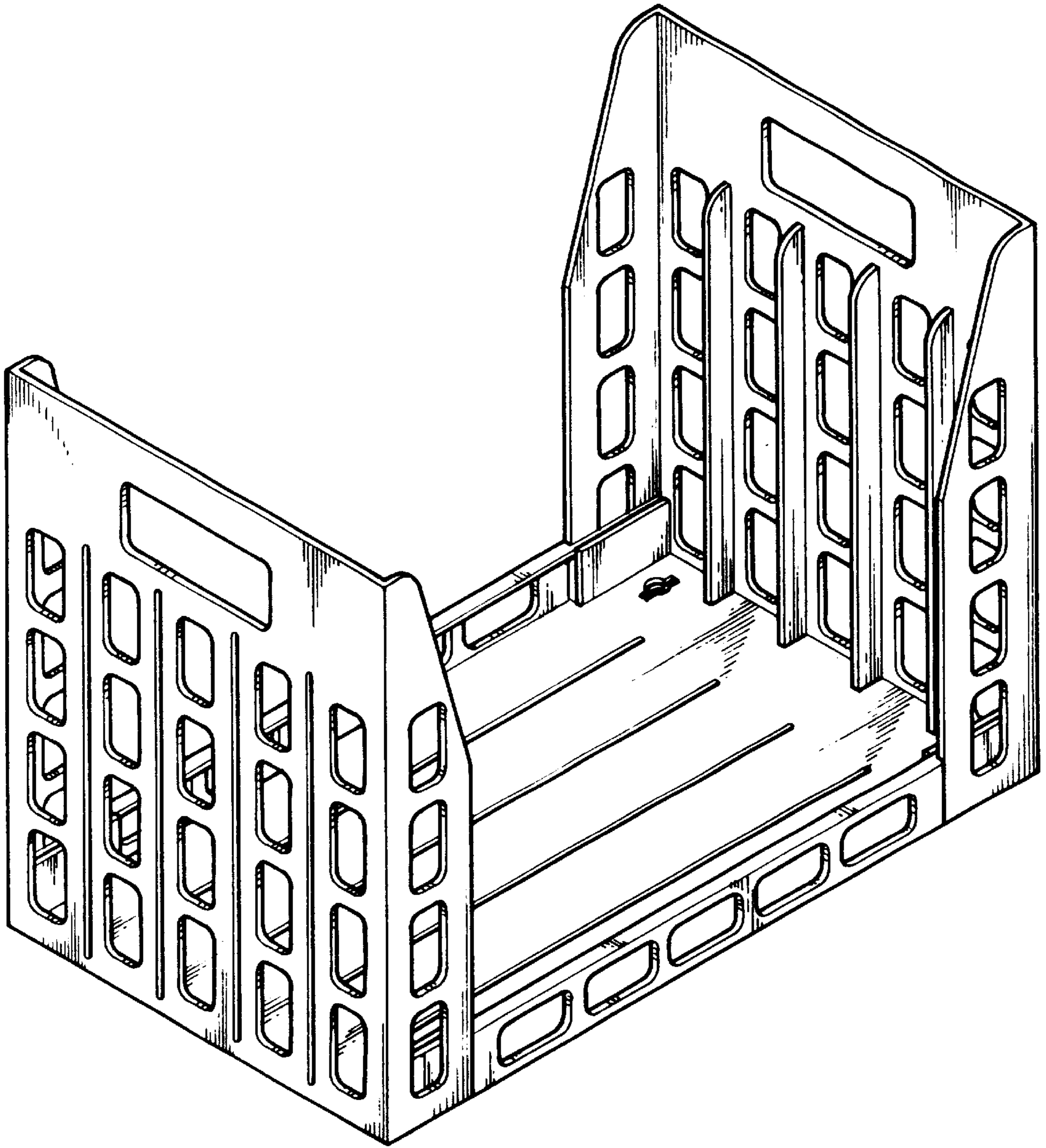


FIG. 1

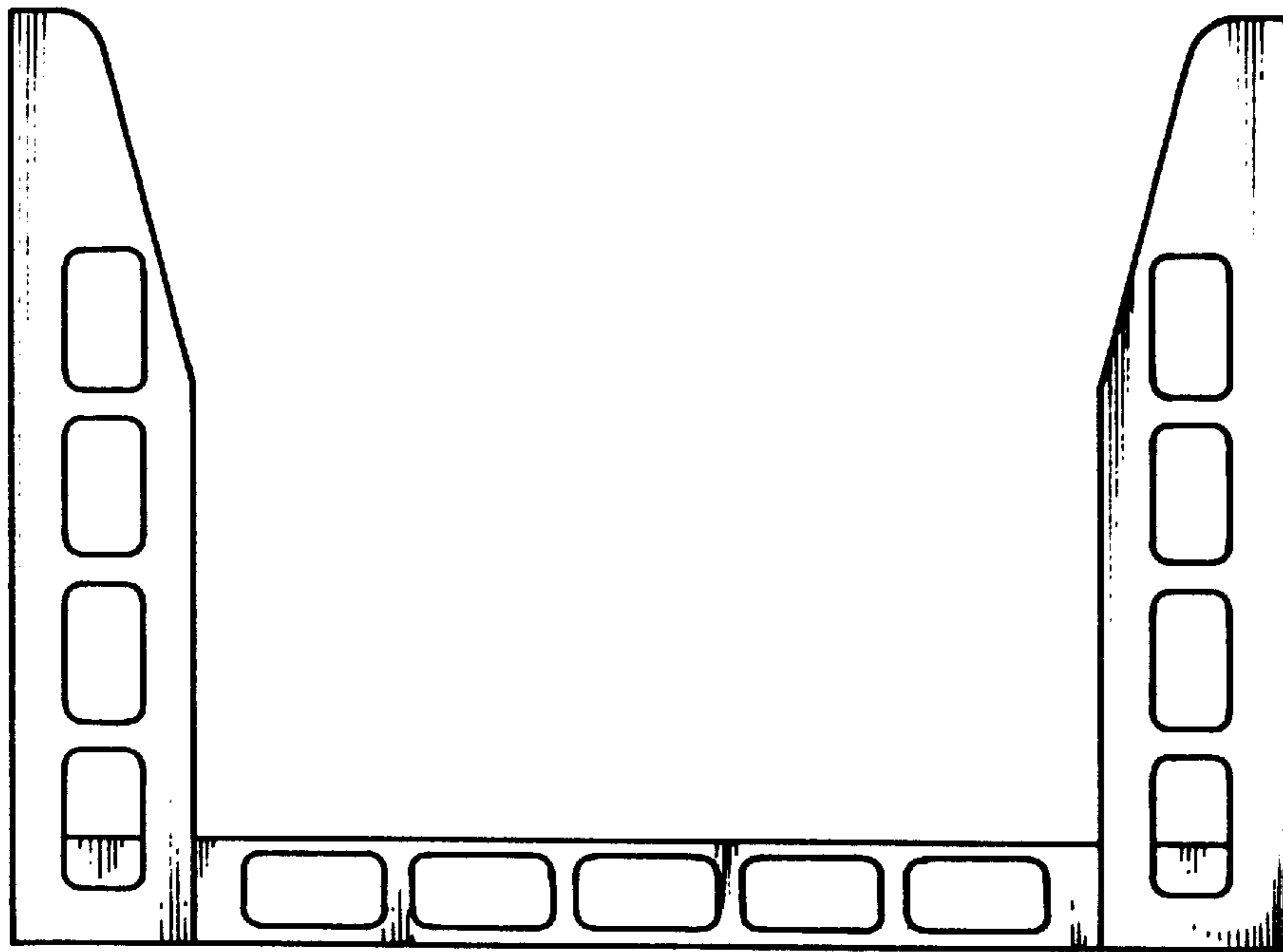


FIG. 2

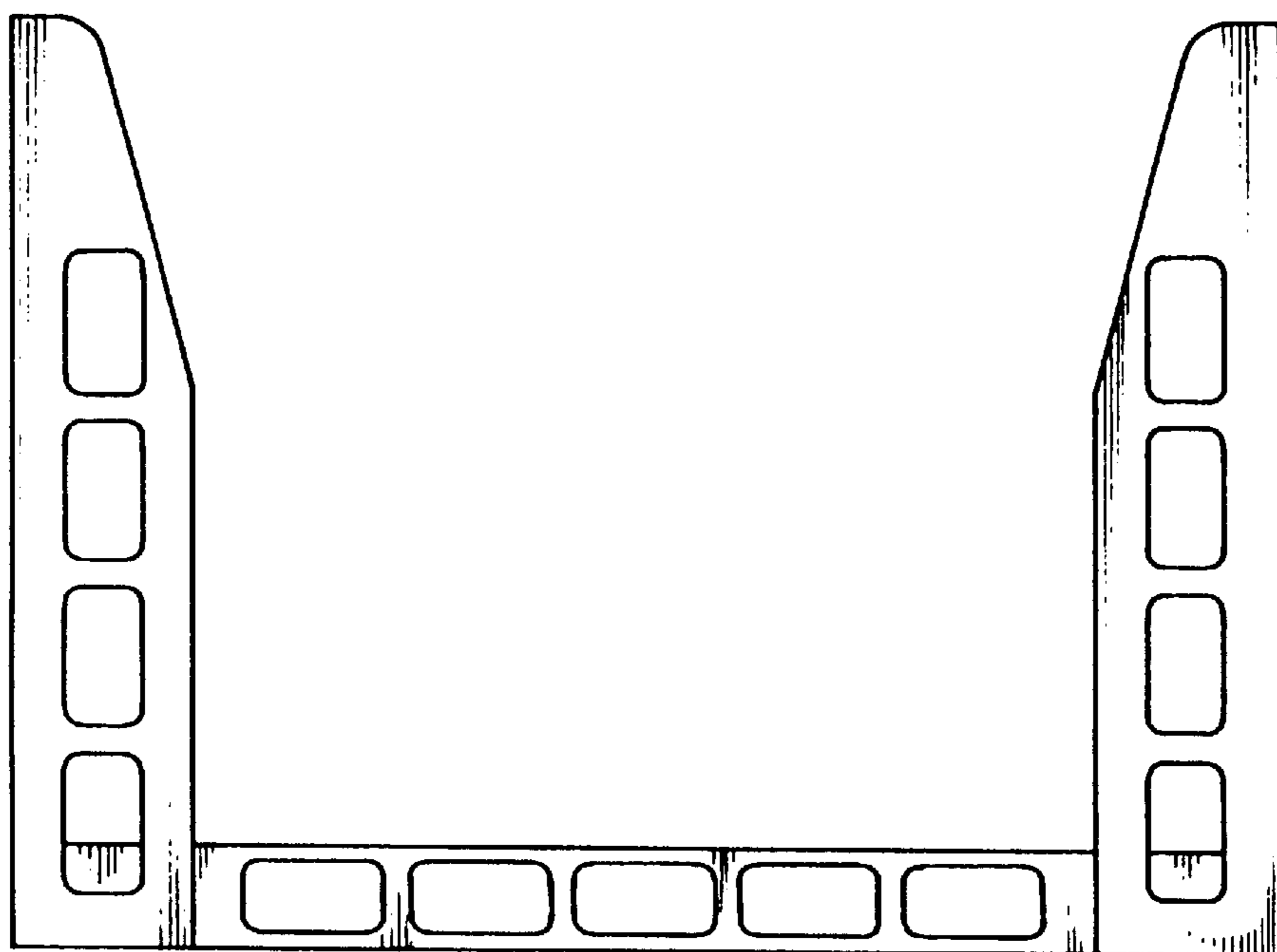
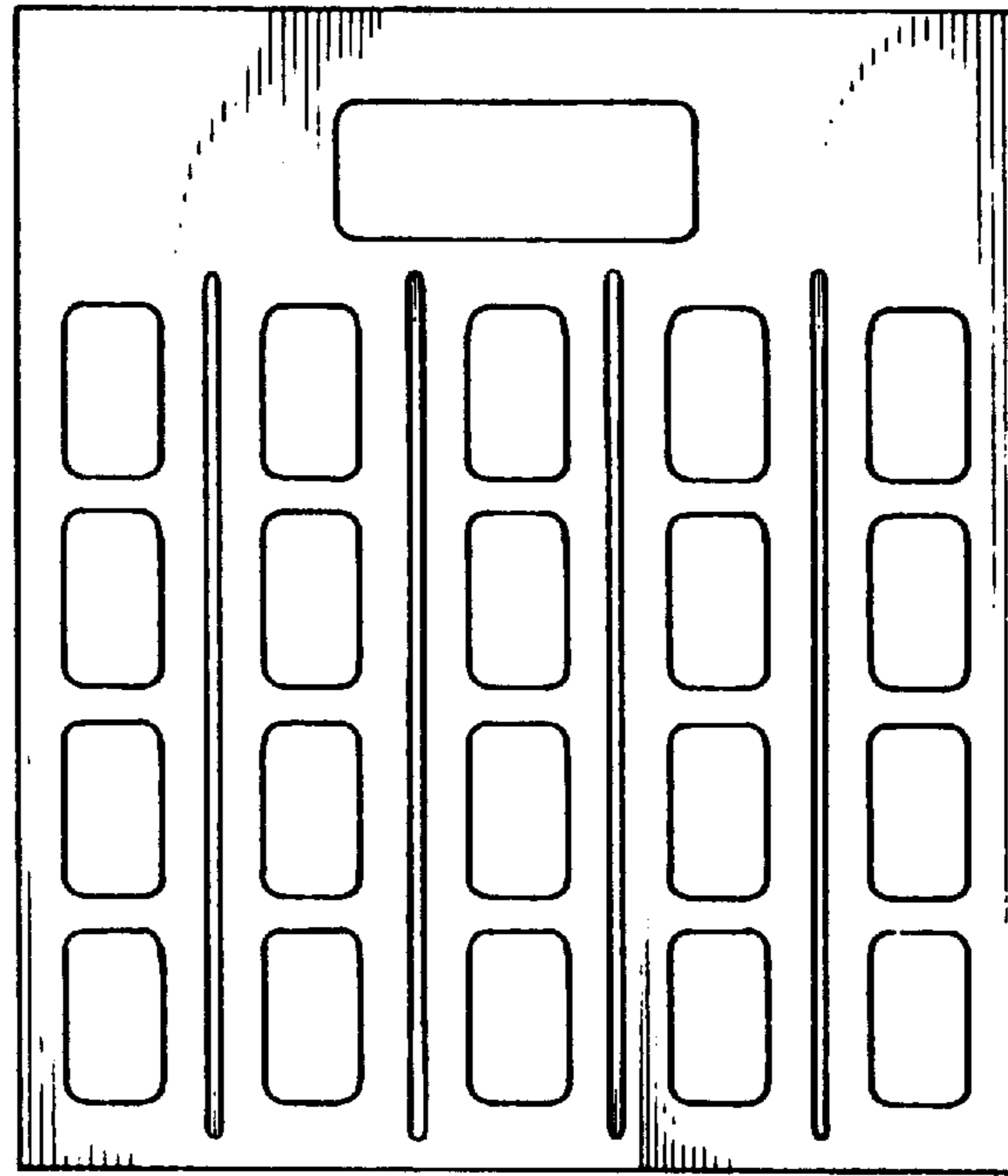
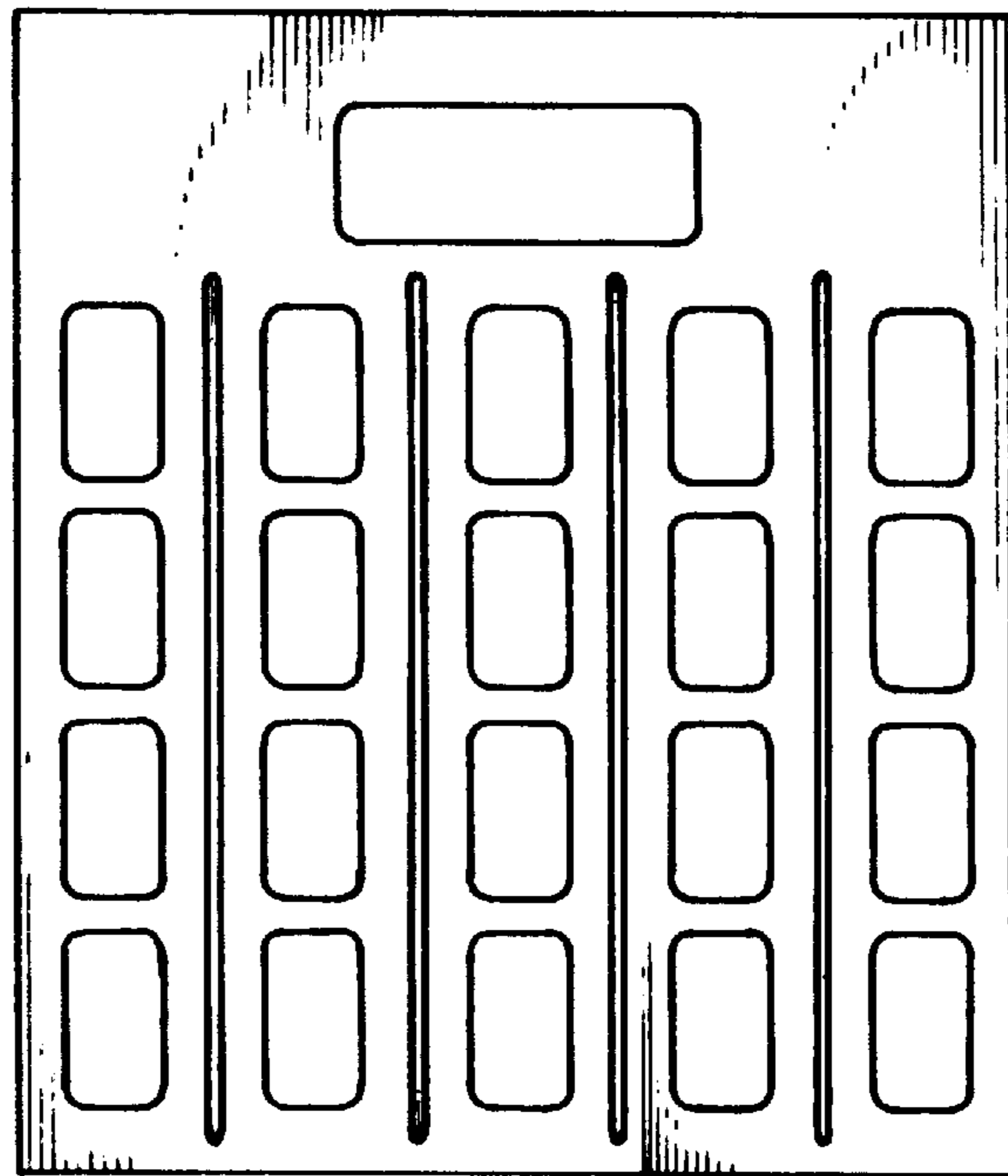


FIG. 3



F I G. 4



F I G. 5

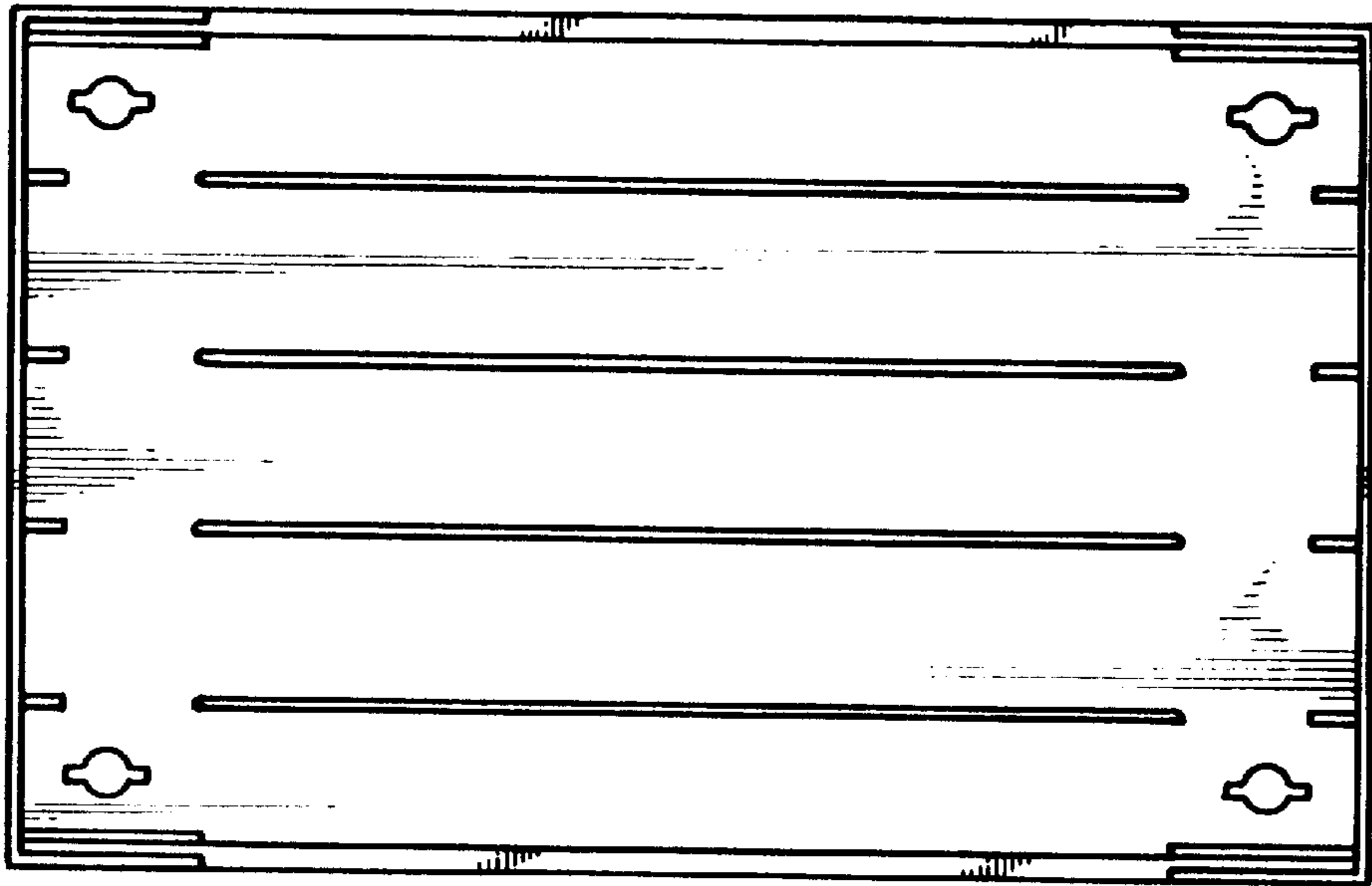


FIG. 6

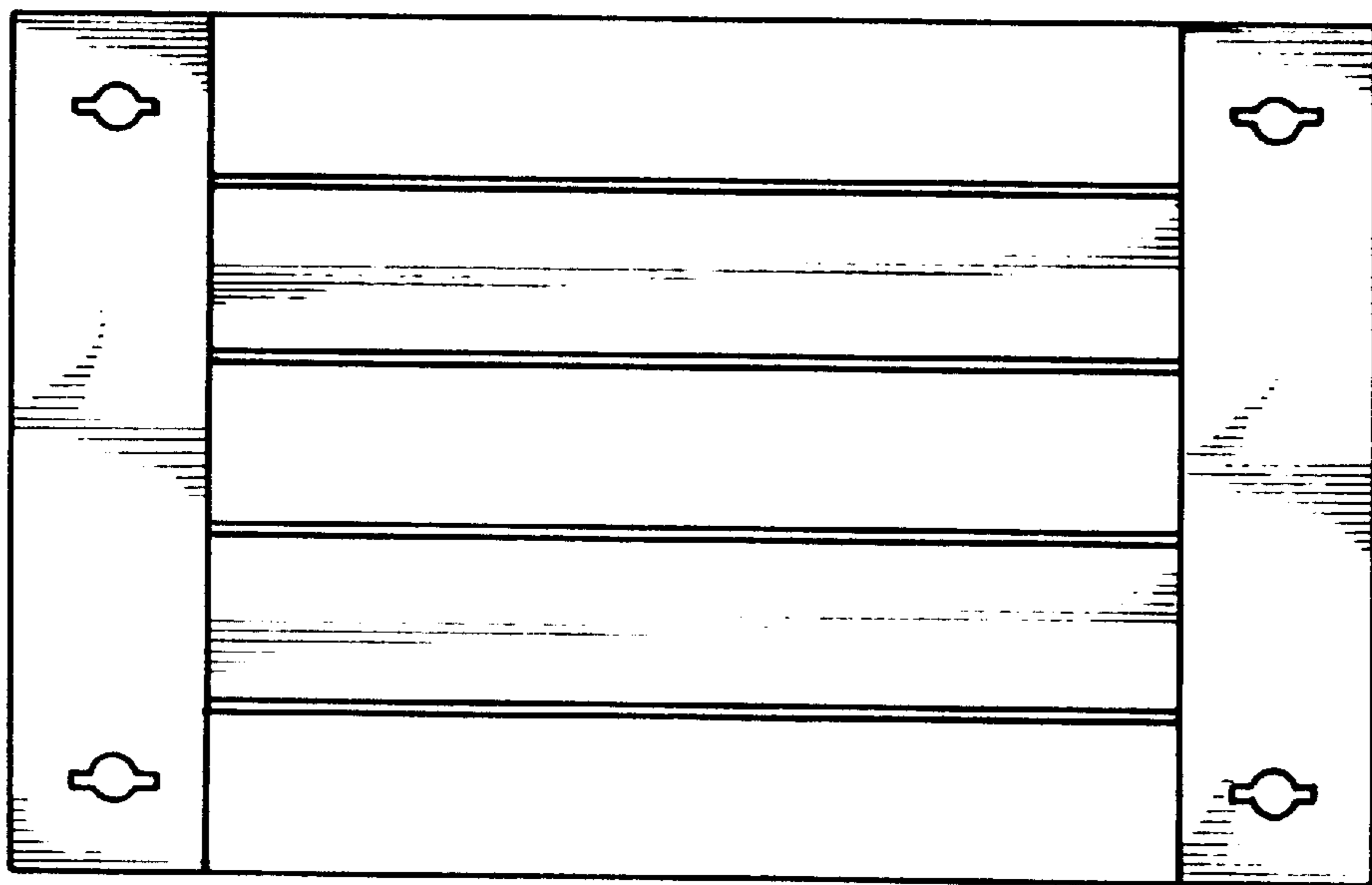


FIG. 7