



US00D481074S

(12) **United States Design Patent**  
**Shapiro et al.**

(10) **Patent No.:** **US D481,074 S**

(45) **Date of Patent:** **\*\* Oct. 21, 2003**

(54) **EXPANDING FILE**

(75) **Inventors:** **Bruce Shapiro**, Highland Park, IL  
(US); **David Stone**, Highland Park, IL  
(US); **David Shapiro**, Chicago, IL (US)

(73) **Assignee:** **It's Academic of Illinois, Inc.**,  
Northbrook, IL (US)

(\*\*) **Term:** **14 Years**

(21) **Appl. No.:** **29/169,844**

(22) **Filed:** **Oct. 29, 2002**

(51) **LOC (7) Cl.** ..... **19-02**

(52) **U.S. Cl.** ..... **D19/90; D3/303**

(58) **Field of Search** ..... D3/303, 900; D19/26,  
D19/27, 32, 33, 75, 86, 90, 91, 99, 100;  
206/311, 425, 737; 402/4, 73, 79, 80 R;  
281/15.1, 19.1, 21.1, 29-31, 32, 34, 35,  
45, 48, 51; 229/67.1-67.4, 117.09, 928

(56) **References Cited**

**U.S. PATENT DOCUMENTS**

1,444,811	A	*	2/1923	Tarbox	.....	229/67.3
1,871,569	A	*	8/1932	Warshaw	.....	206/737
2,151,469	A	*	3/1939	Hochtheil	.....	229/69
2,333,798	A	*	11/1943	Kner	.....	229/67.3

4,730,727	A	*	3/1988	Petroff	.....	206/311
D314,981	S	*	2/1991	Hassel	.....	D19/75
5,271,502	A	*	12/1993	Chang	.....	206/425
5,630,509	A	*	5/1997	Su	.....	206/425
D435,591	S	*	12/2000	Wyant	.....	D19/27
D471,014	S	*	3/2003	Shapiro	.....	D3/303
D476,032	S	*	6/2003	Marchand	.....	D19/26

\* cited by examiner

*Primary Examiner*—Martie K. Holtje

(74) *Attorney, Agent, or Firm*—Wood, Phillips, Katz, Clark & Mortimer

(57) **CLAIM**

The ornamental design for an expanding file, substantially as shown and described.

**DESCRIPTION**

FIG. 1 is a perspective view of an expanding file showing our new design;  
FIG. 2 is a front elevational view thereof;  
FIG. 3 is a right side elevational view thereof;  
FIG. 4 is a rear elevational view thereof;  
FIG. 5 is a left side elevational view thereof;  
FIG. 6 is a top plan view thereof; and,  
FIG. 7 is a bottom plan view thereof.

**1 Claim, 4 Drawing Sheets**

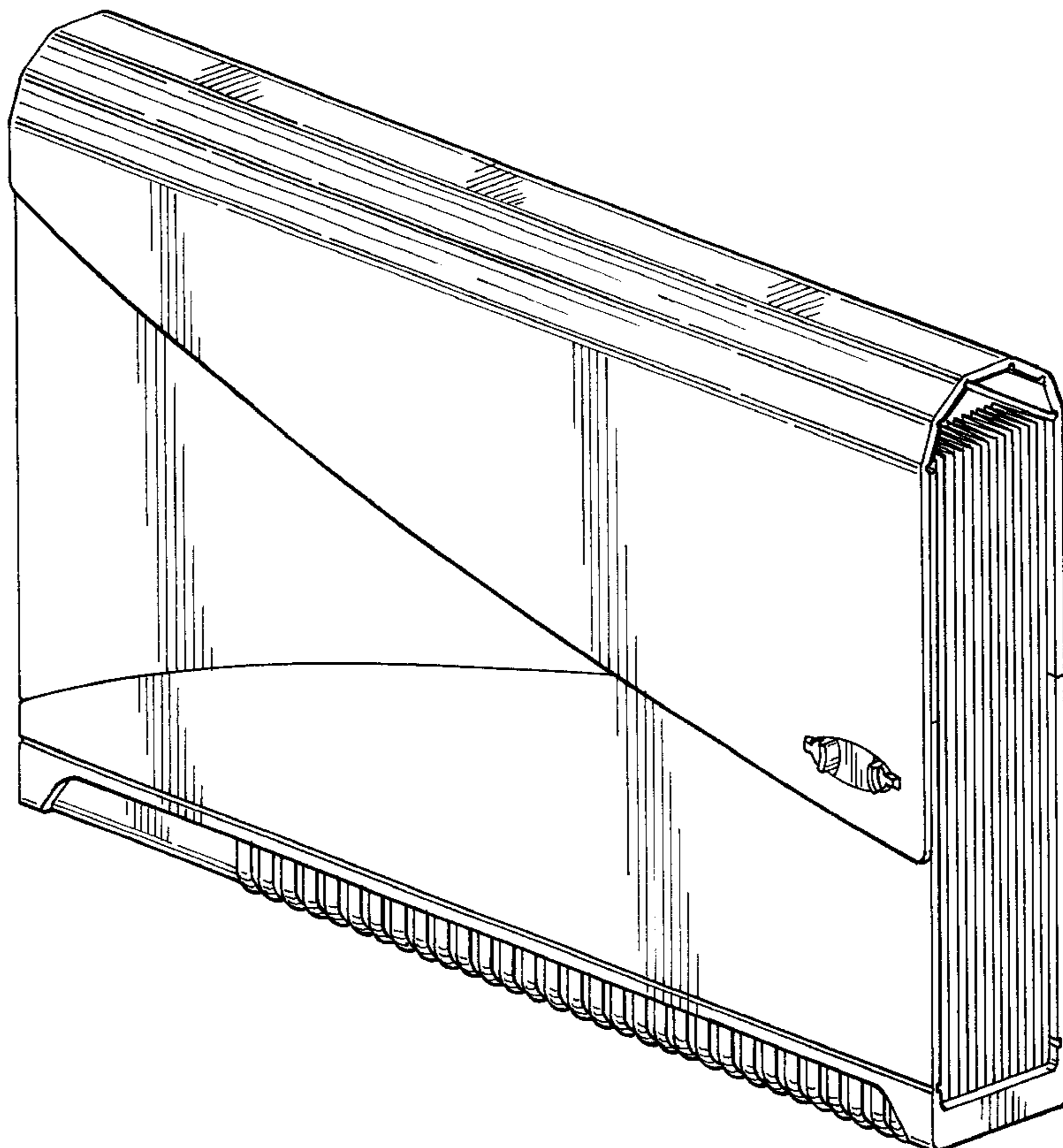


FIG. 1

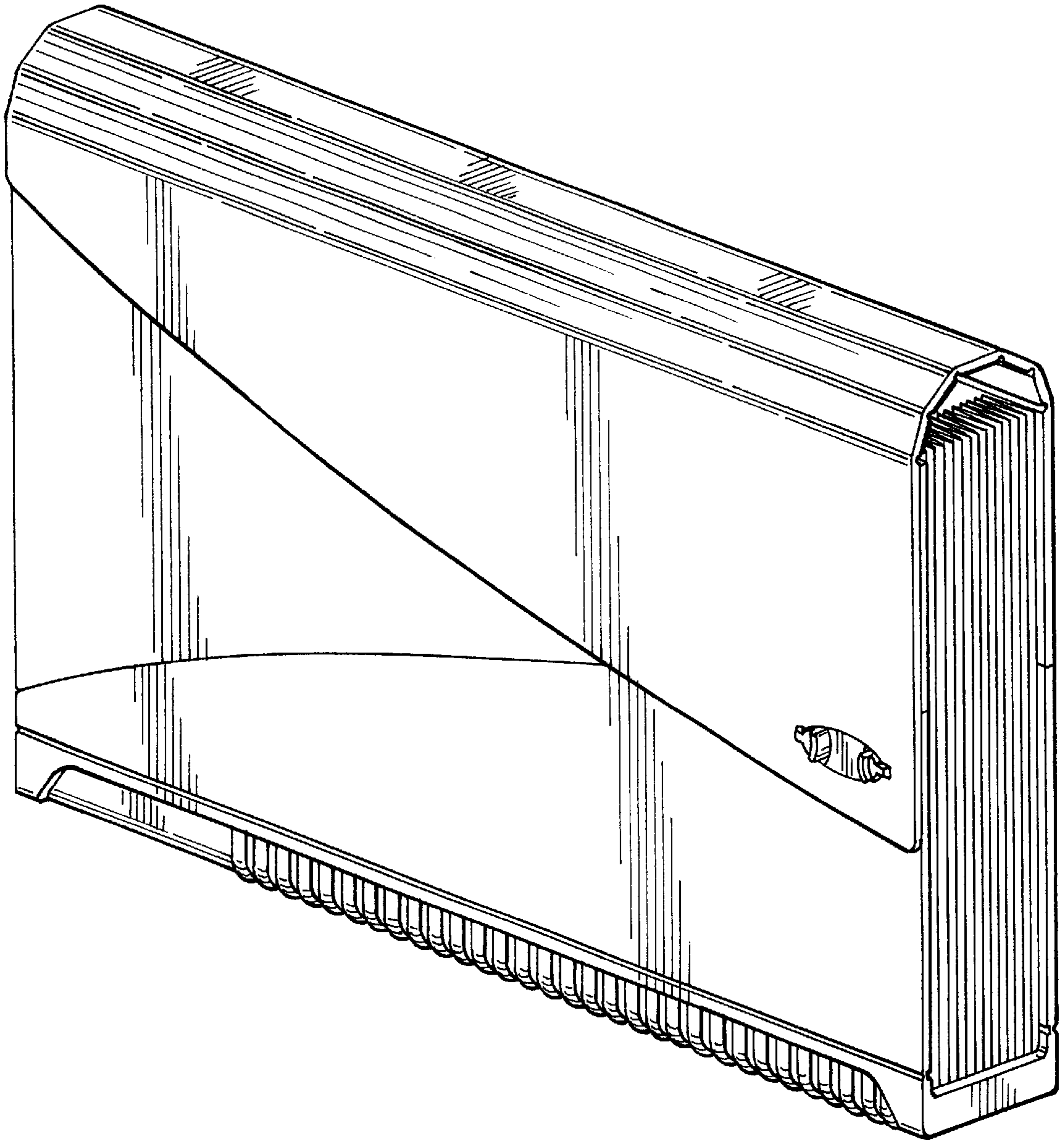


FIG.3



FIG.2

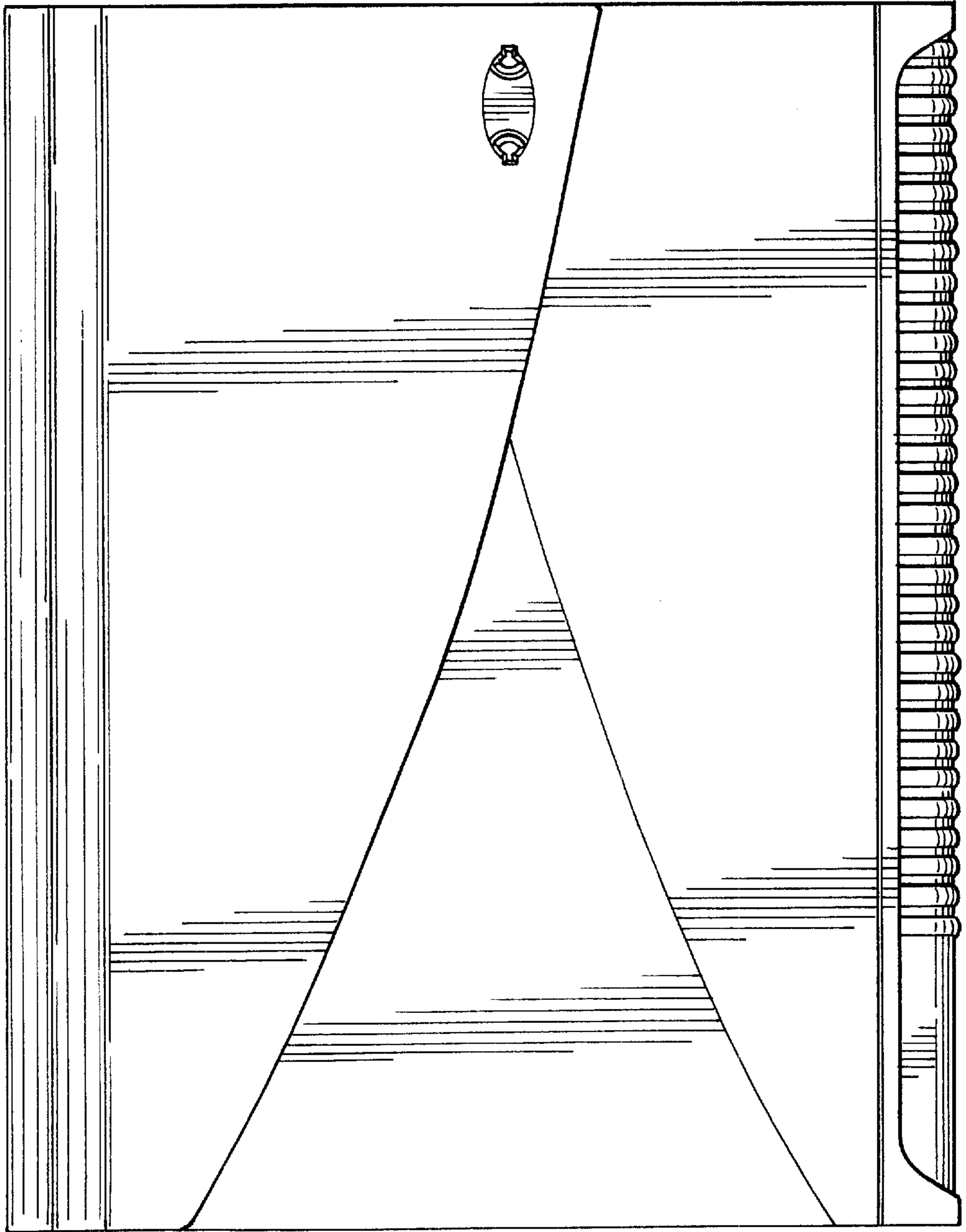


FIG.5

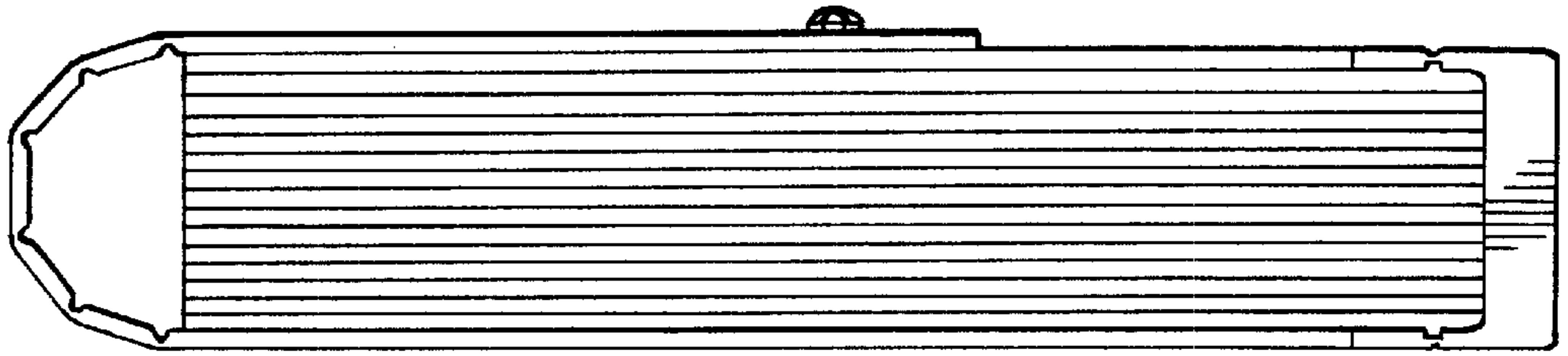


FIG.4

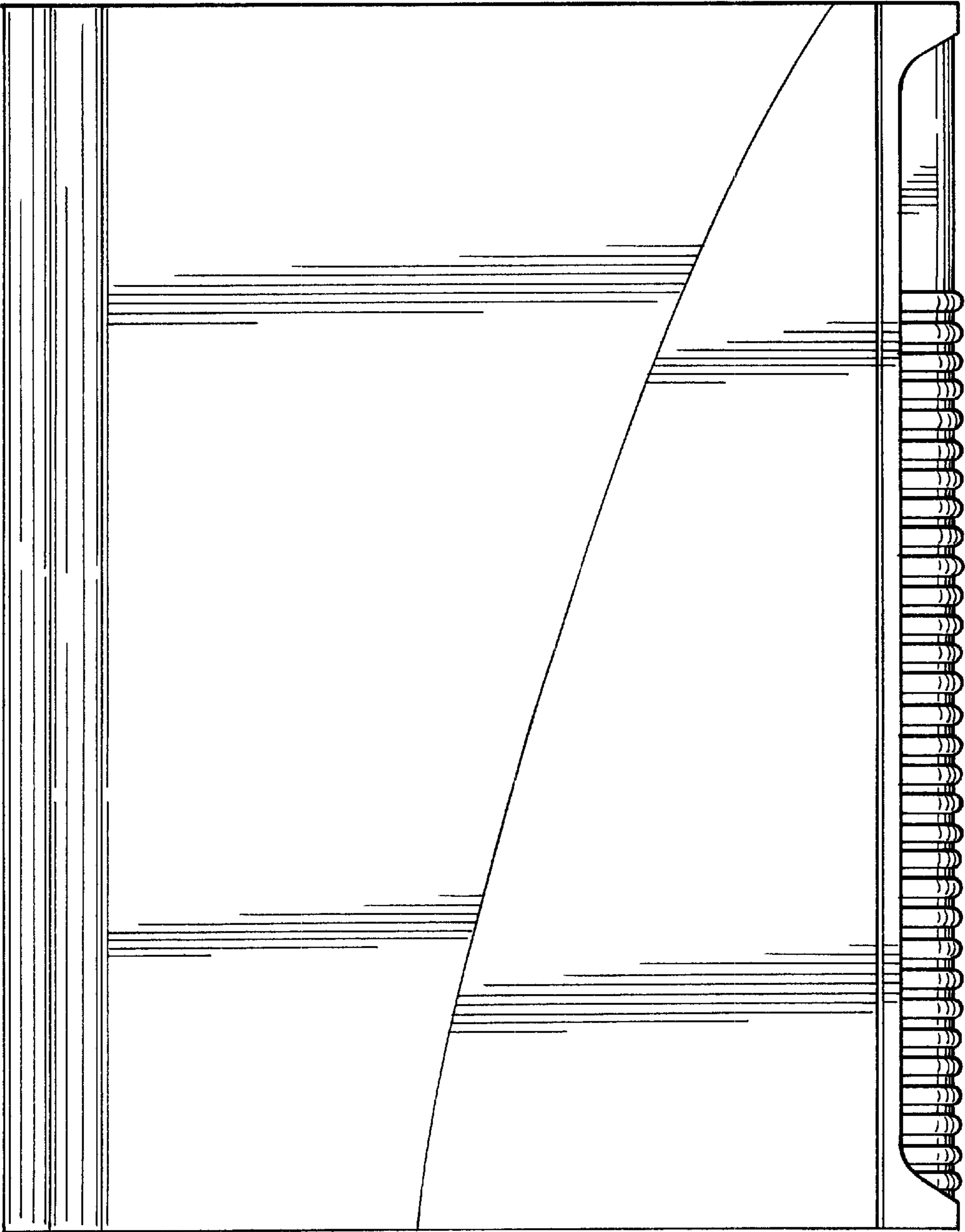


FIG.6

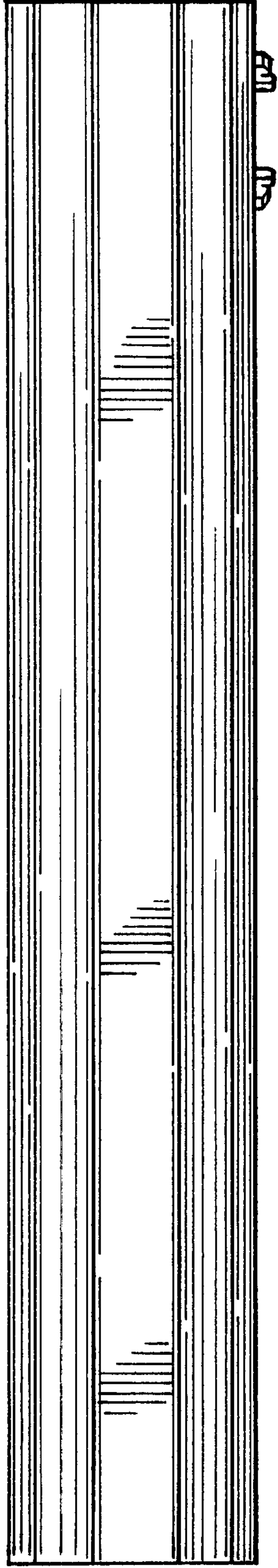


FIG.7

