



US00D481072S

(12) **United States Design Patent**
Mestyaneck

(10) **Patent No.:** **US D481,072 S**

(45) **Date of Patent:** **** Oct. 21, 2003**

(54) **FISHING KNOT LEARNING CENTER**

(75) **Inventor:** **Lawrence M. Mestyaneck**, Los Angeles, CA (US)

(73) **Assignee:** **Tag Toys**, Compton, CA (US)

(**) **Term:** **14 Years**

(21) **Appl. No.:** **29/169,112**

(22) **Filed:** **Oct. 14, 2002**

Related U.S. Application Data

(63) Continuation-in-part of application No. 29/118,652, filed on Feb. 10, 2000, now abandoned.

(51) **LOC (7) Cl.** **19-07**

(52) **U.S. Cl.** **D19/62**

(58) **Field of Search** D19/59, 61, 62;
D22/134; 289/1.5, 17, 18.1; 434/260

(56) **References Cited**

U.S. PATENT DOCUMENTS

2,469,037 A * 5/1949 Harvey 289/1.5
2,624,957 A * 1/1953 Collins 424/260
3,700,272 A * 10/1972 Bauer 289/17

4,333,614 A * 6/1982 Flax 289/17
4,871,200 A * 10/1989 Ryder et al. 289/17
D376,190 S * 12/1996 Horn, Jr. et al. D22/134
6,485,307 B1 * 11/2002 Mestyaneck 434/260

* cited by examiner

Primary Examiner—Adir Aronovich

(74) *Attorney, Agent, or Firm*—Tucker Ellis & West, LLP

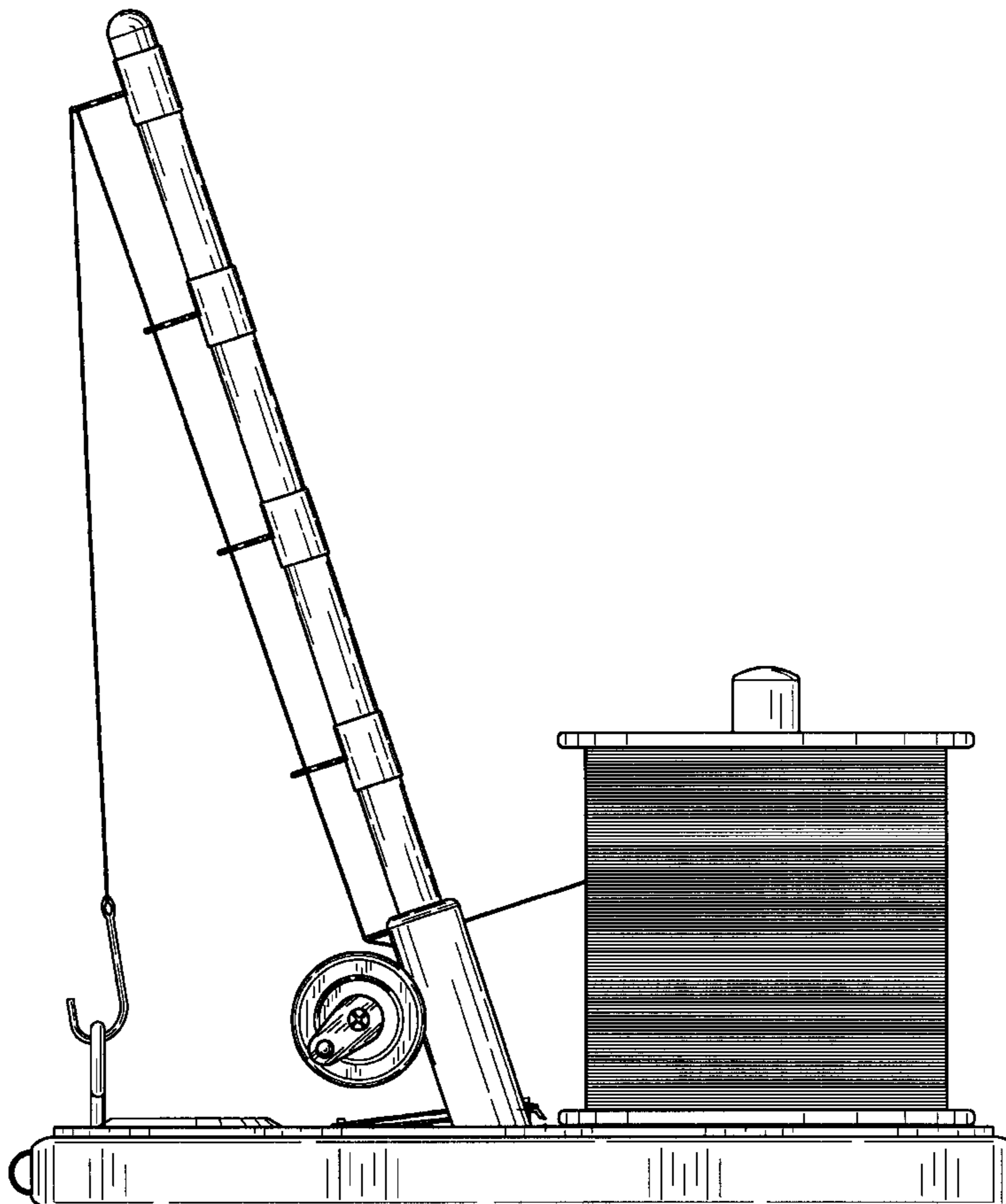
(57) **CLAIM**

The ornamental design for a fishing knot learning center, as shown and described.

DESCRIPTION

FIG. 1 is a front elevational view of a fishing knot learning center showing my new design with the hook tethered;
FIG. 2 is a top view thereof;
FIG. 3 is a right side view thereof;
FIG. 4 is a left side view thereof;
FIG. 5 is a rear elevational view thereof;
FIG. 6 is a top view thereof with instruction manual
FIG. 7 is a top view thereof without clipper;
FIG. 8 is a top view thereof without watch; and,
FIG. 9 is a front elevational view thereof with the hook untethered.

1 Claim, 9 Drawing Sheets



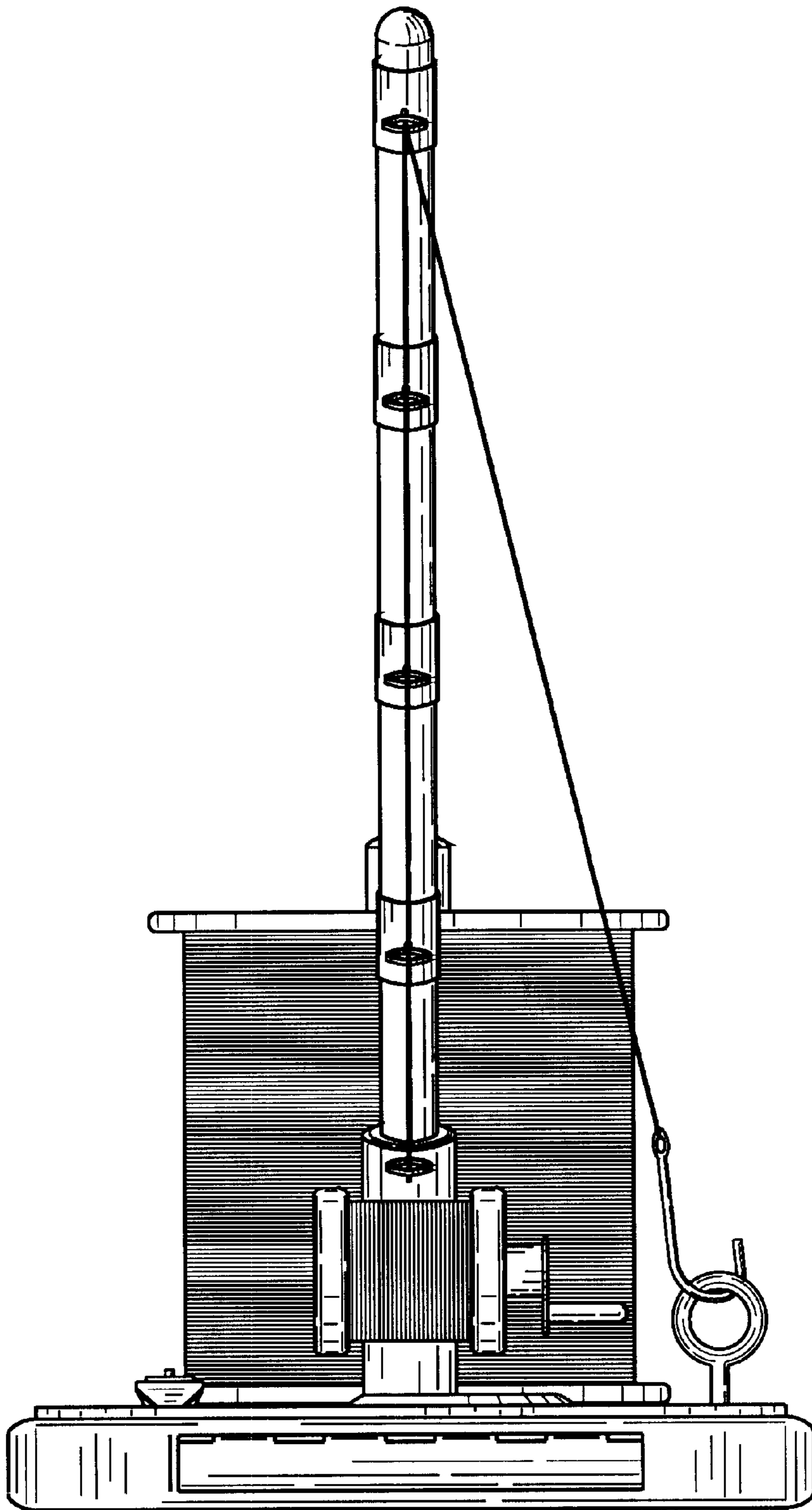


Fig. 1

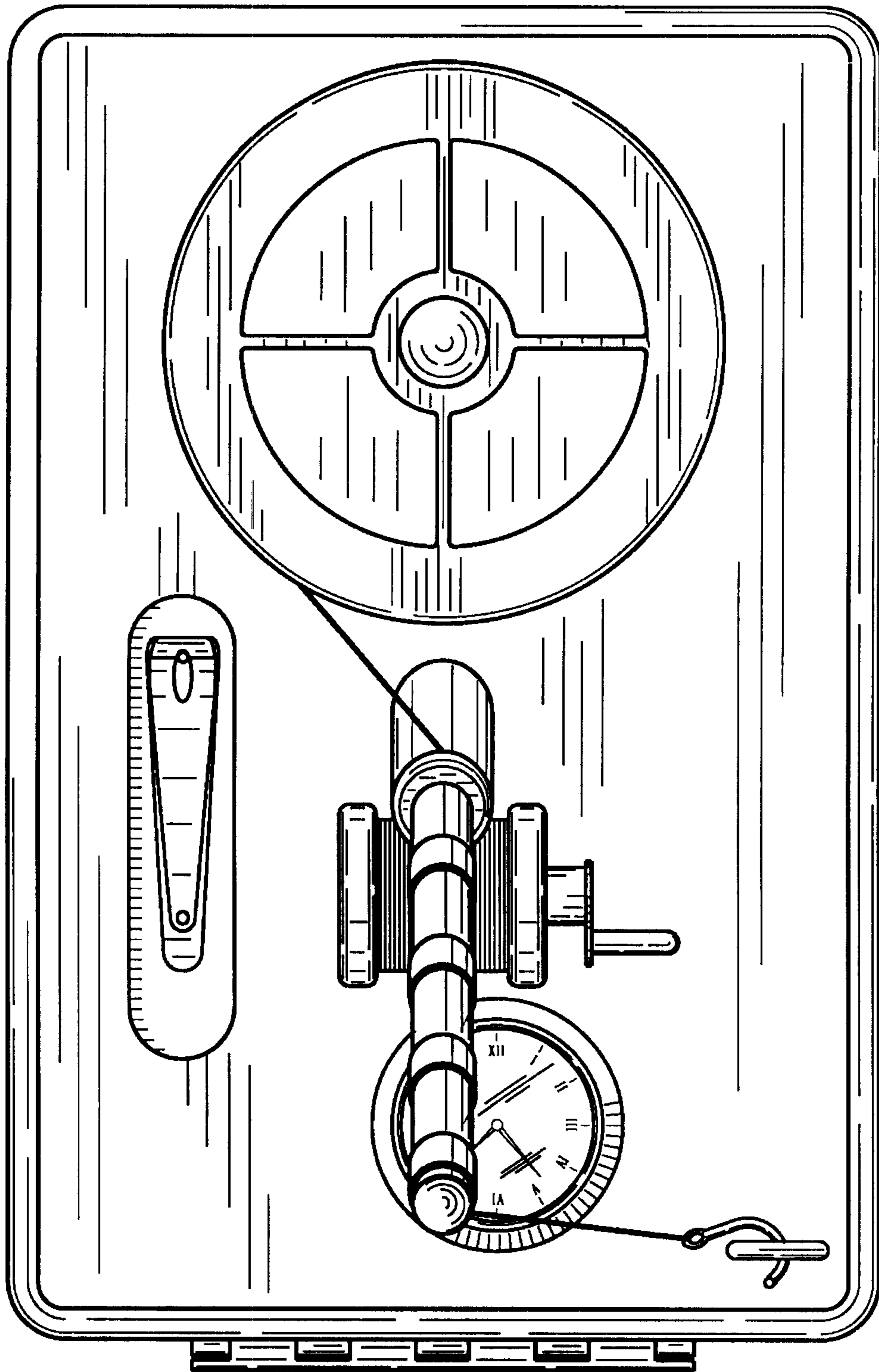


Fig. 2

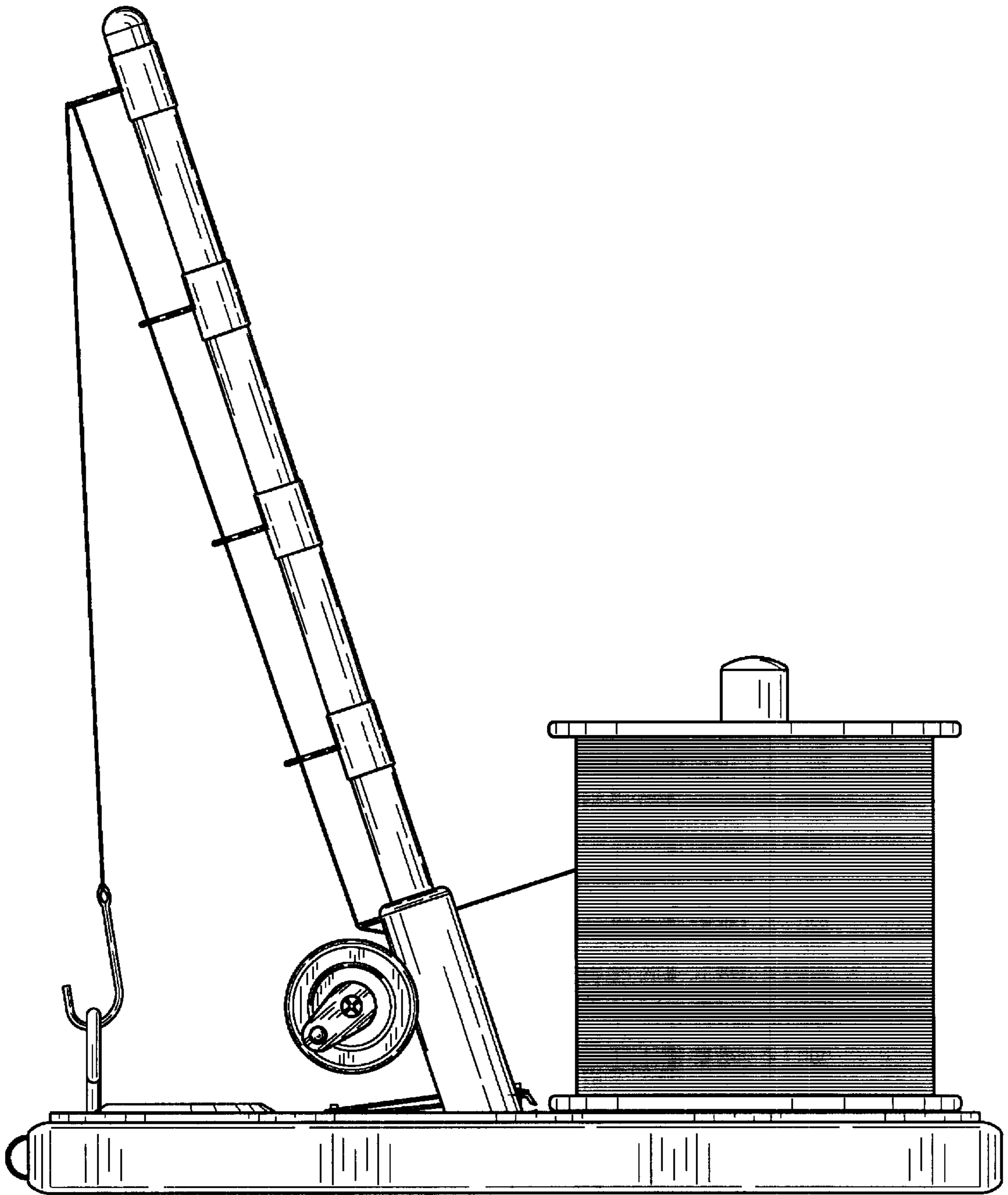


Fig. 3

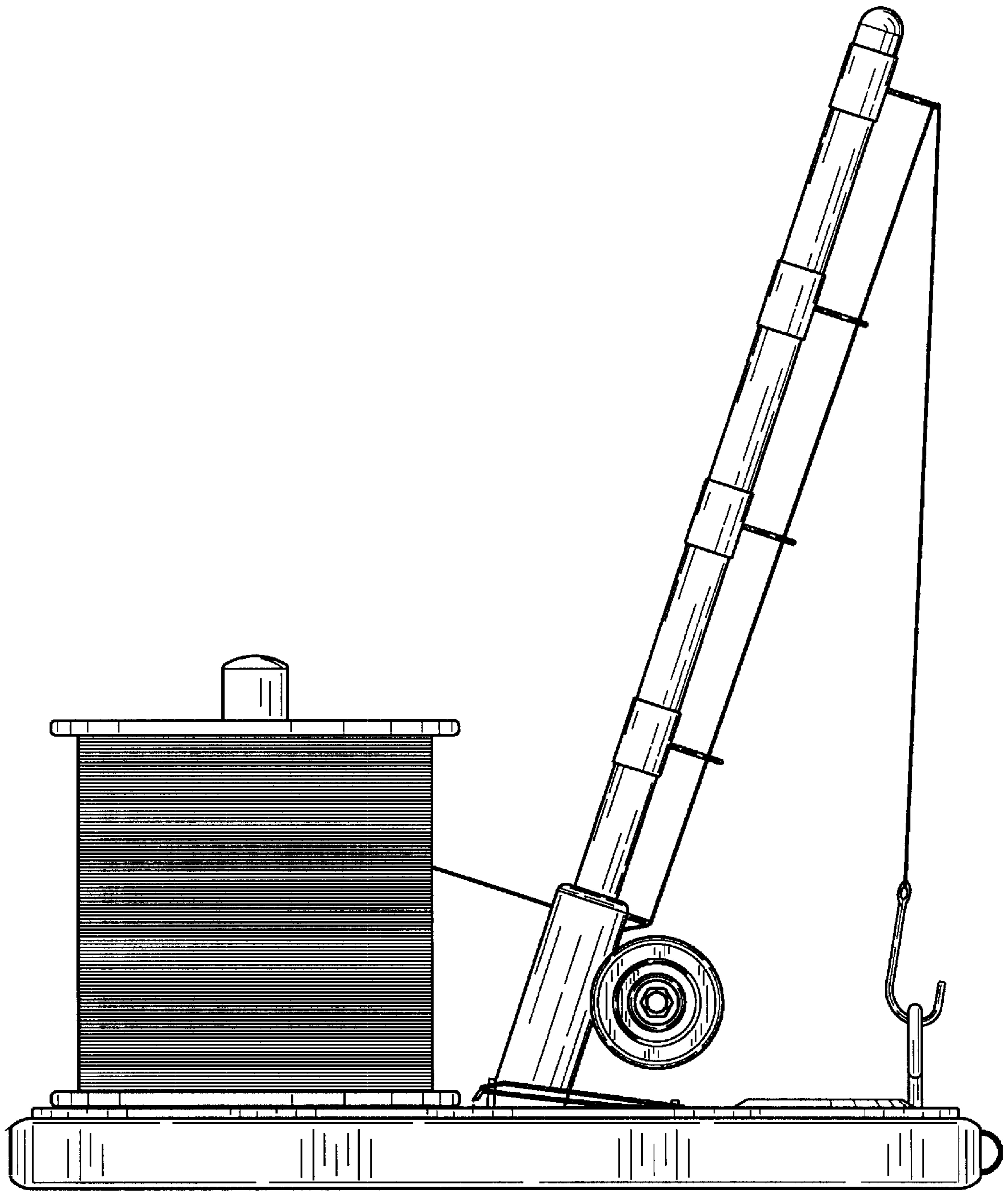


Fig. 4

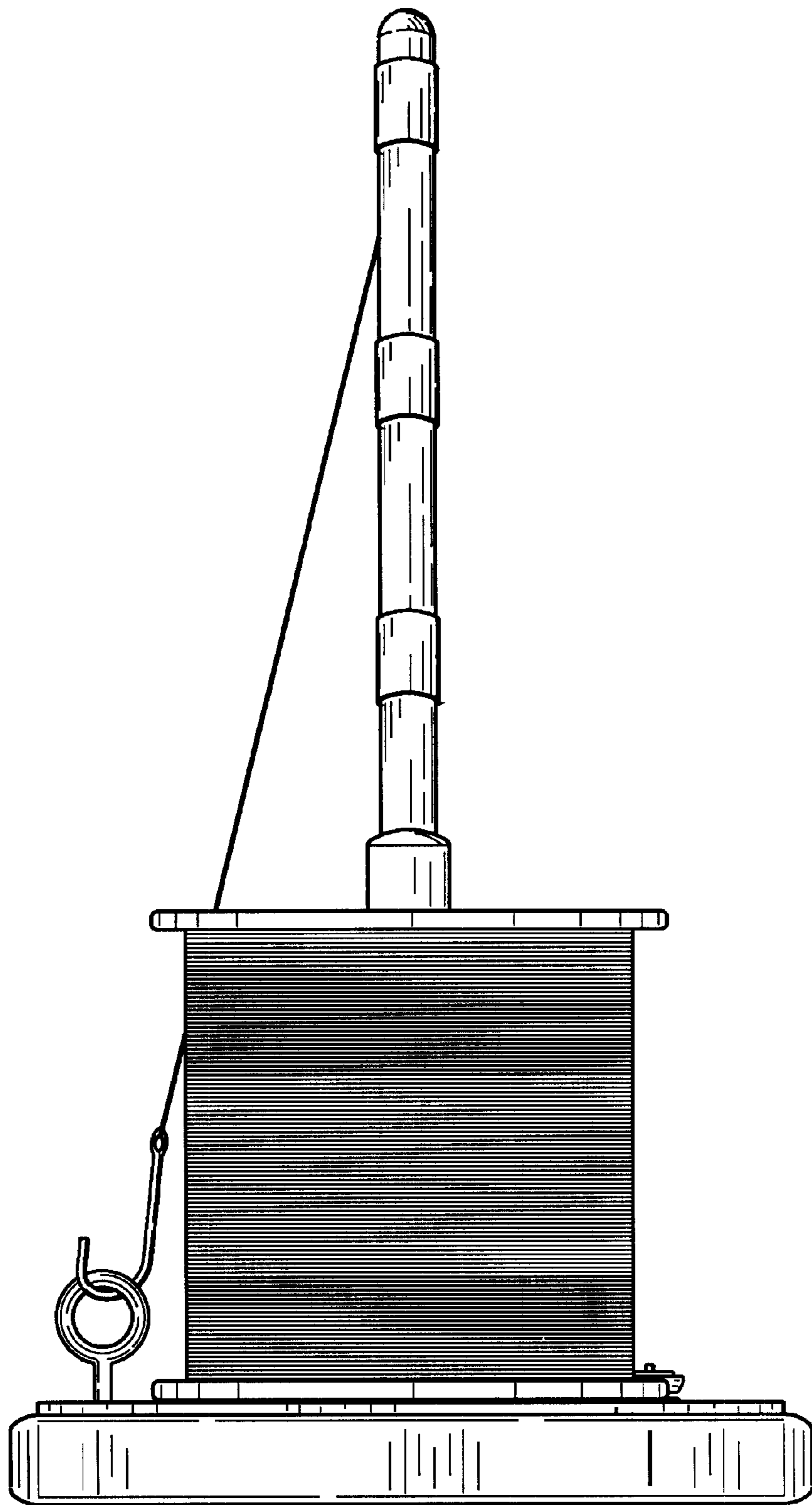


Fig. 5

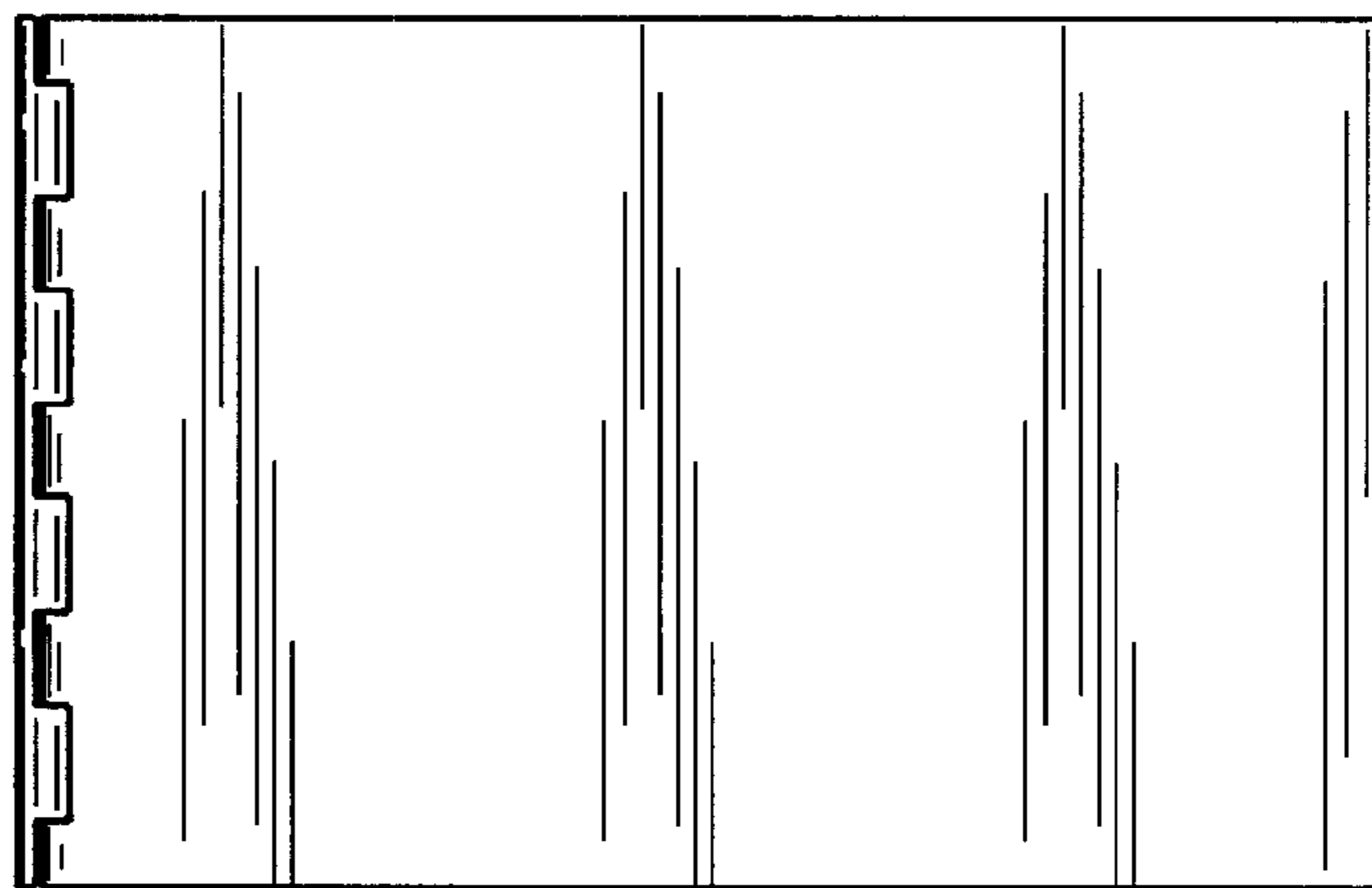
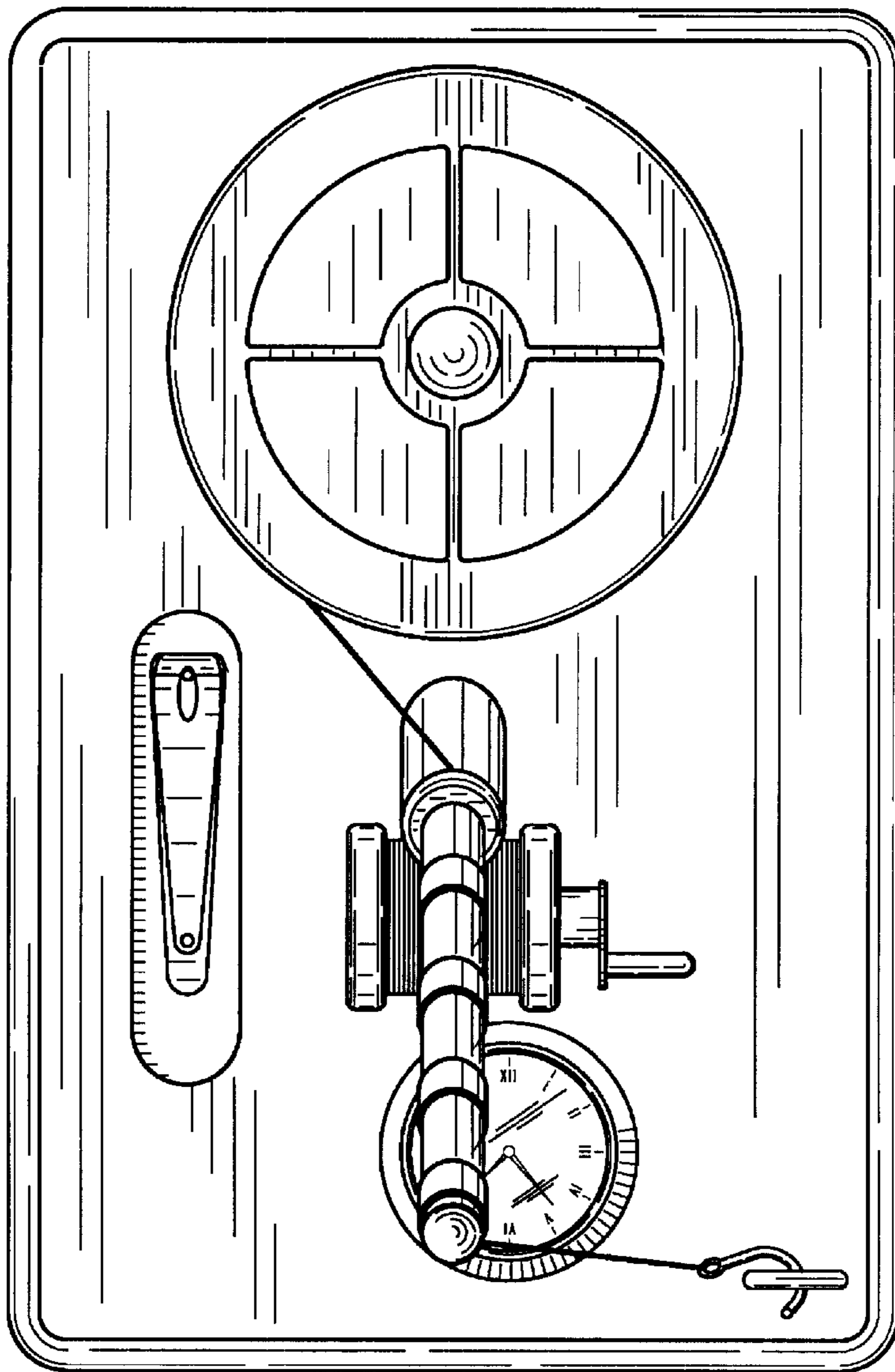


Fig. 6

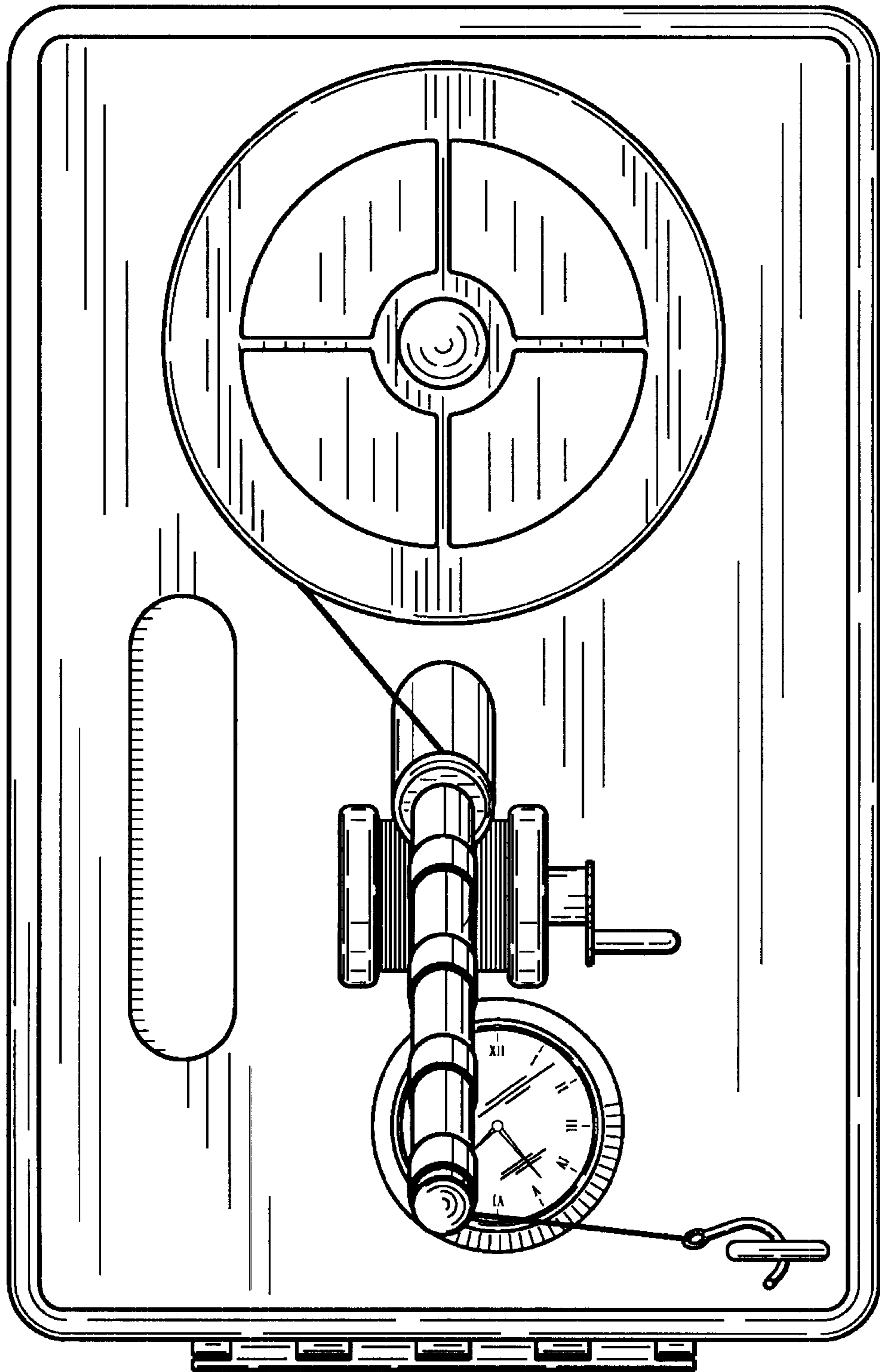


Fig. 7

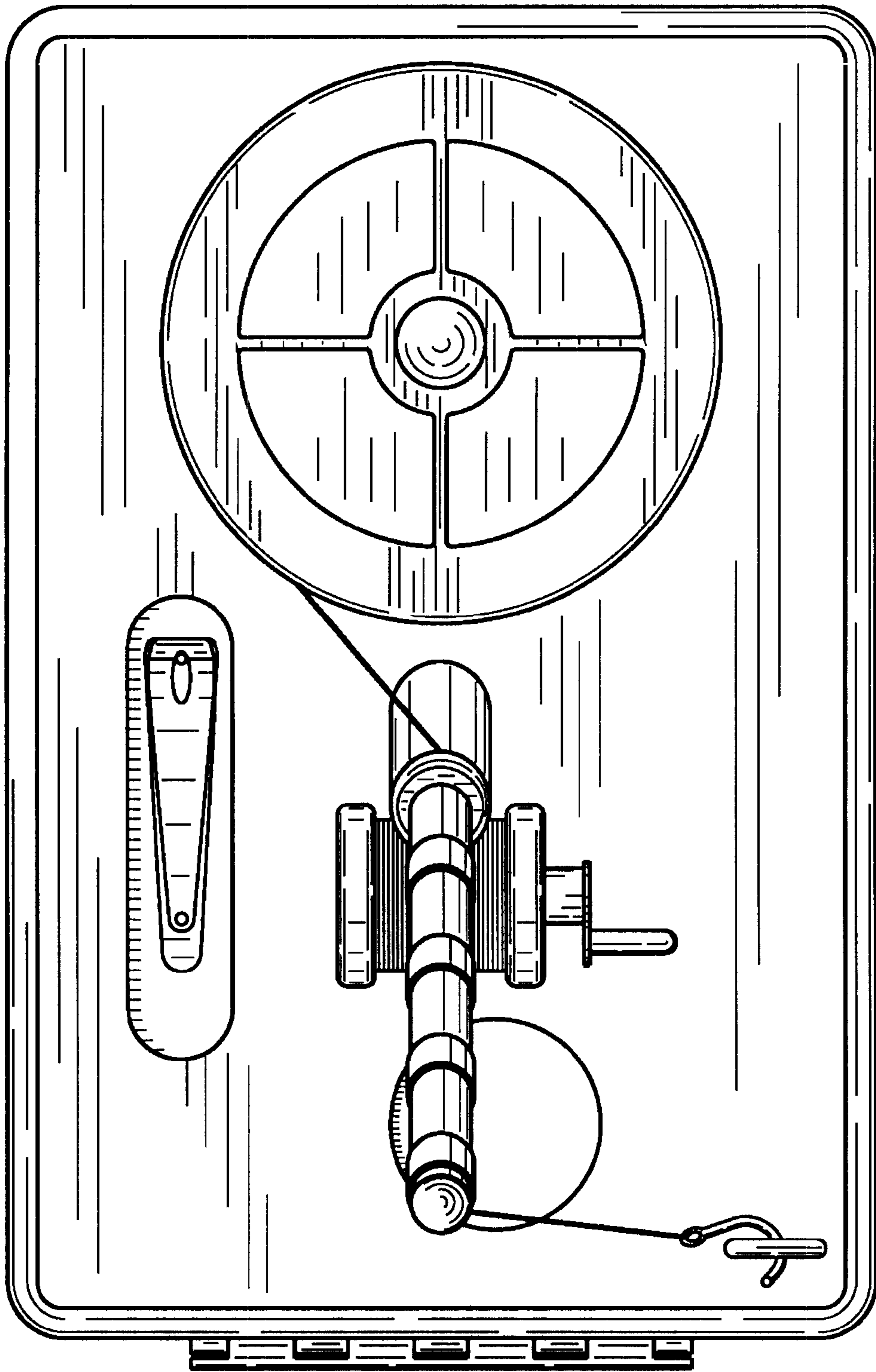


Fig. 8

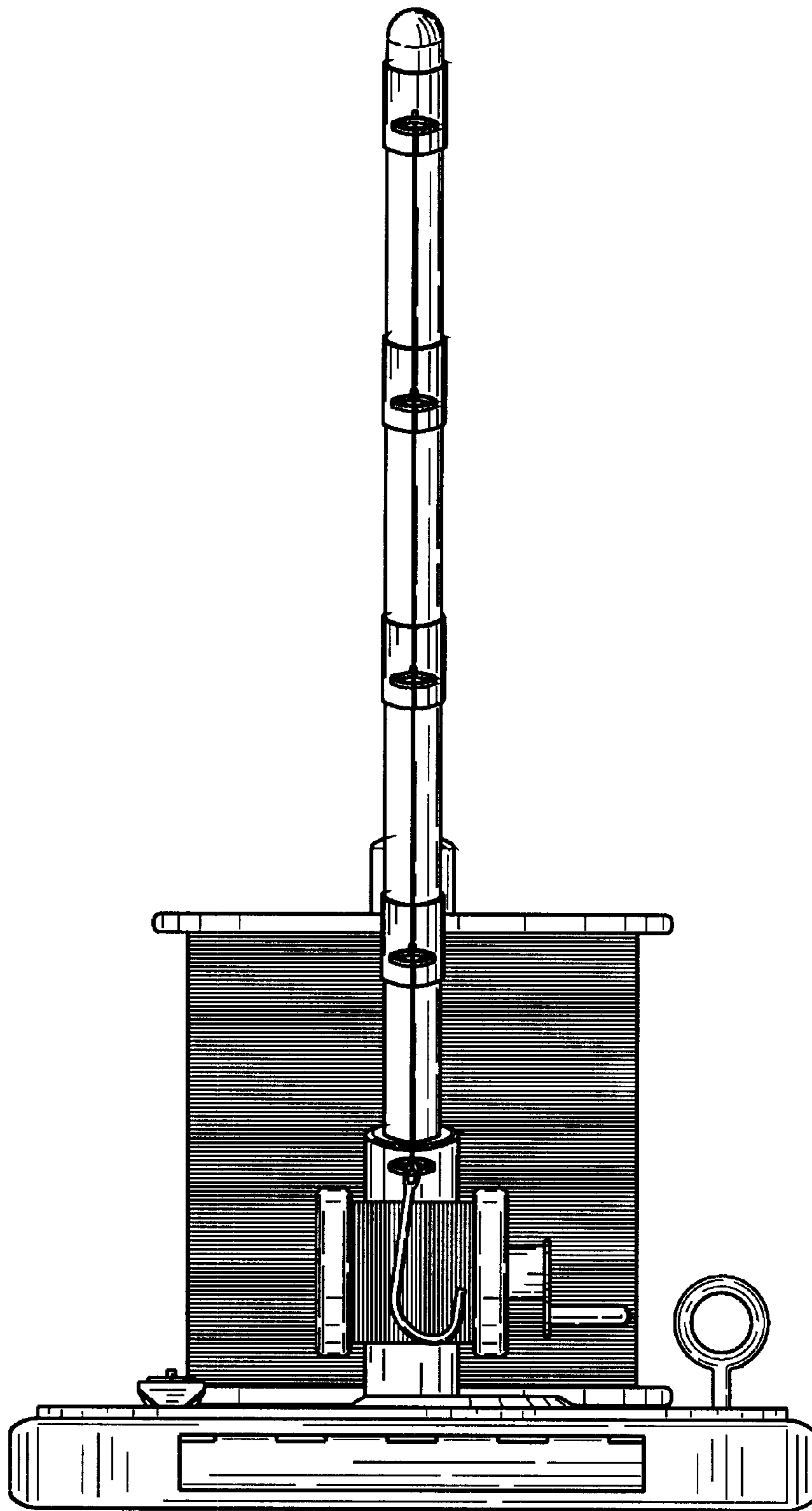


Fig. 9