



US00D481069S

(12) **United States Design Patent**
Kennedy et al.

(10) **Patent No.: US D481,069 S**

(45) **Date of Patent: ** Oct. 21, 2003**

(54) **GRIP FOR A WRITING INSTRUMENT**

(75) Inventors: **Jeffrey A. Kennedy**, Algonquin, IL
(US); **Bret R. Marschand**, Oak Park,
IL (US)

(73) Assignee: **Sanford L.P.**, Bellwood, IL (US)

(**) Term: **14 Years**

(21) Appl. No.: **29/167,358**

(22) Filed: **Sep. 12, 2002**

(51) **LOC (7) Cl.** **19-06**

(52) **U.S. Cl.** **D19/55; D19/47; D19/50**

(58) **Field of Search** D19/35, 36, 41-51,
D19/53, 54, 55, 56-58, 81-85; 401/6, 7,
88, 202, 213, 243-247, 262

(56) **References Cited**

U.S. PATENT DOCUMENTS

D306,178 S	2/1990	Lauper	D19/49
D308,396 S	6/1990	Sekiguchi	D19/49
4,934,024 A	* 6/1990	Sexton	401/6 X
D312,477 S	11/1990	Porsche	D19/43
D312,478 S	11/1990	Lecce	D19/48
D314,978 S	2/1991	Oka	D19/48
D319,845 S	9/1991	Grötsch et al.	D19/48
D324,238 S	2/1992	Nitta	D19/49
D325,221 S	4/1992	Ito	D19/57
D328,611 S	8/1992	Longarzo	D19/49
D361,783 S	8/1995	Wei	D19/48
D390,873 S	2/1998	Oka	D19/49
D404,763 S	1/1999	Shimizu	D19/47

D406,277 S	3/1999	Lecce	D19/48
D412,718 S	8/1999	Waldinger	D19/48
6,027,151 A	* 2/2000	McNab et al.	401/6 X
6,062,753 A	* 5/2000	Hadtke et al.	401/6
D436,996 S	1/2001	Izushima	D19/47
D441,017 S	* 4/2001	Gault et al.	D19/50
D454,589 S	3/2002	Beneyto	D19/48
D458,965 S	6/2002	Oka	D19/49
D461,500 S	8/2002	Cooper et al.	D19/43
6,527,464 B2	* 3/2003	Lee	401/8
D474,238 S	* 5/2003	Andrews et al.	D19/43

* cited by examiner

Primary Examiner—Martie K. Holtje

(74) *Attorney, Agent, or Firm*—Marshall, Gerstein & Borun
LLP

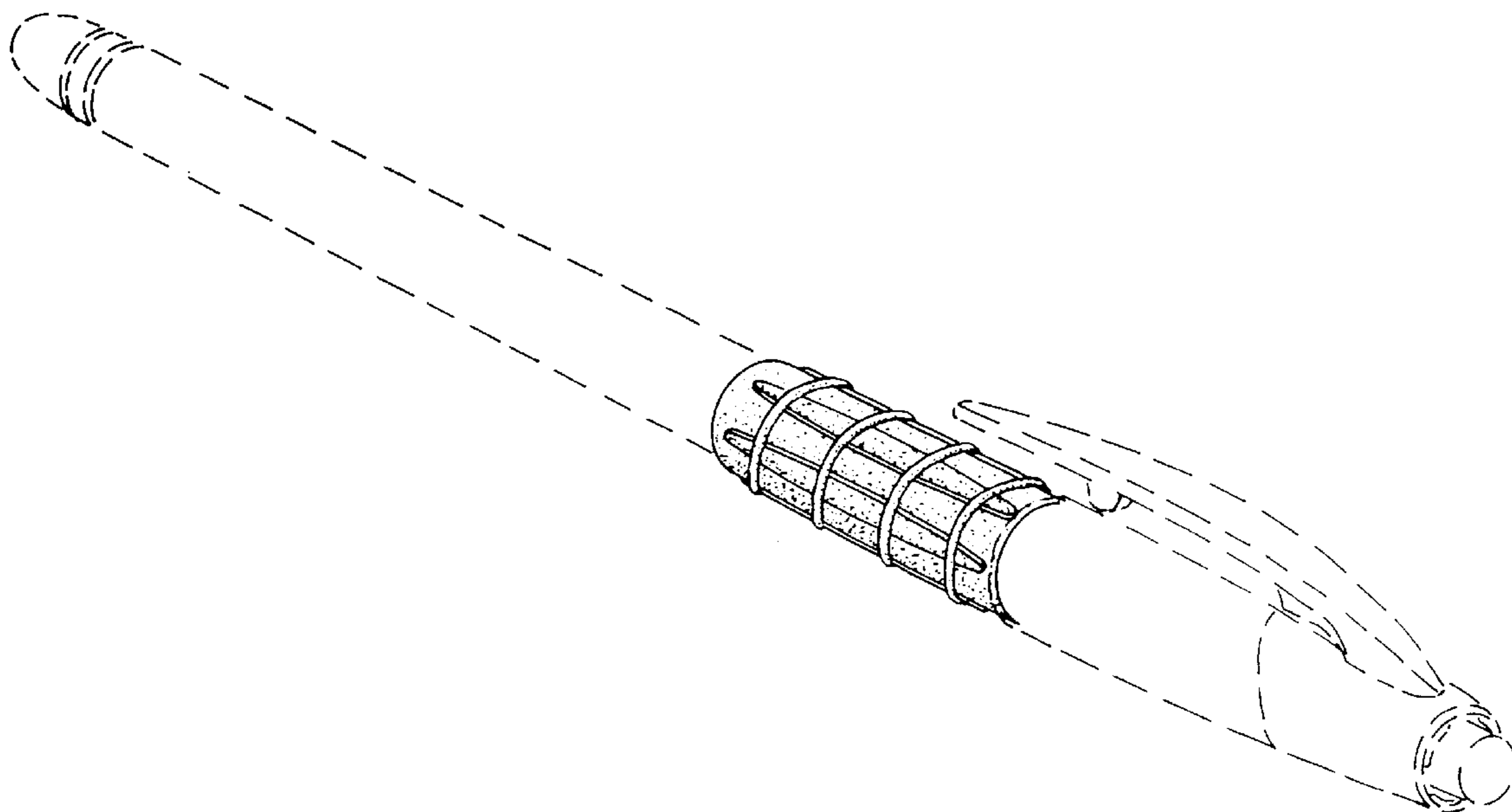
(57) **CLAIM**

The ornamental design for a “grip for a writing instrument”,
as shown and described.

DESCRIPTION

FIG. 1 is a right side perspective view taken from the front
and top showing our new design;
FIG. 2 is a right elevation view thereof;
FIG. 3 is a left elevation view thereof;
FIG. 4 is a front view thereof;
FIG. 5 is a rear view thereof; and,
FIG. 6 is a bottom view thereof.
The broken line showing a writing instrument is for illus-
trative purposes only and forms no part of the claimed
design.

1 Claim, 4 Drawing Sheets



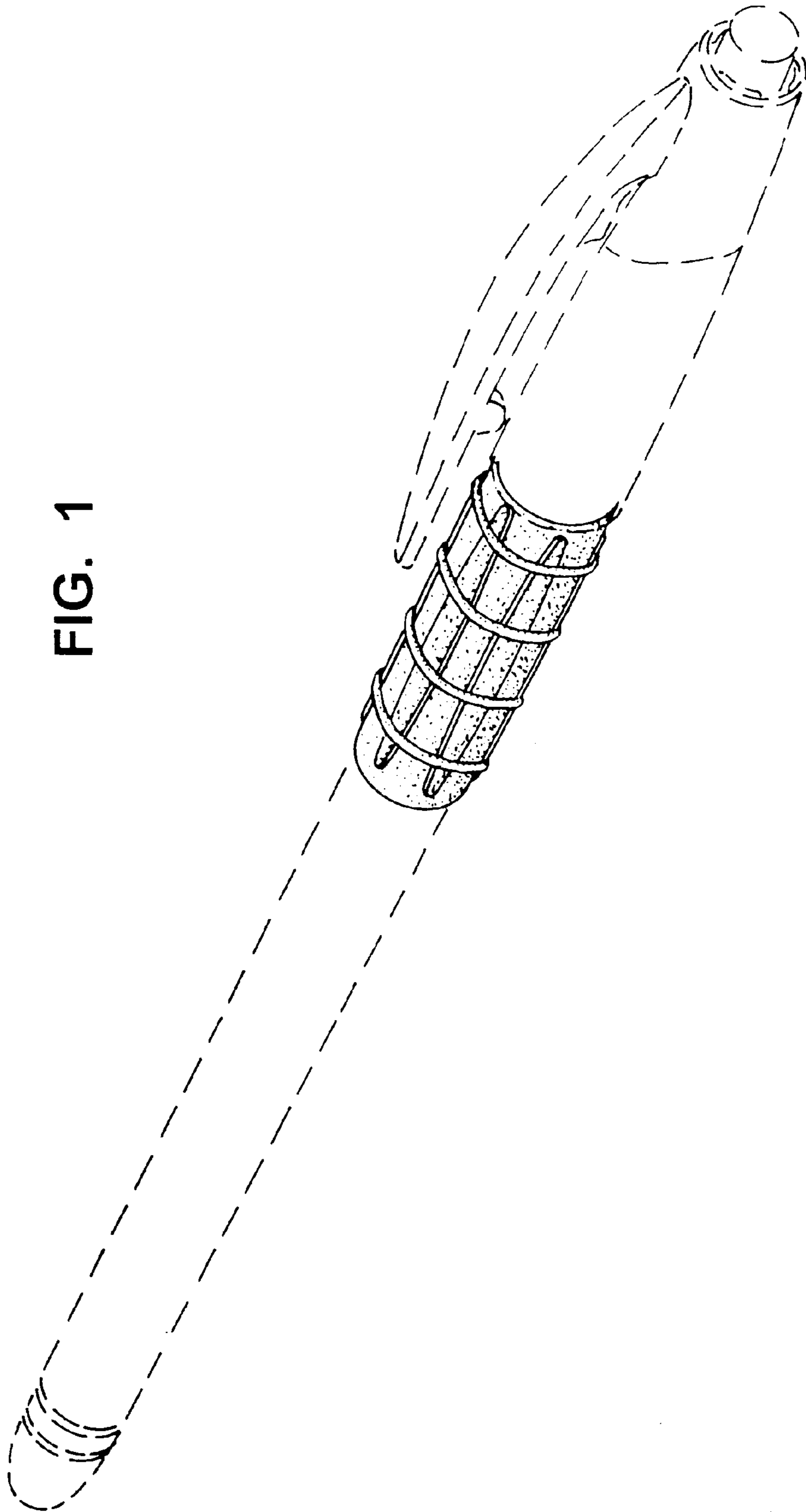


FIG. 1

FIG. 2

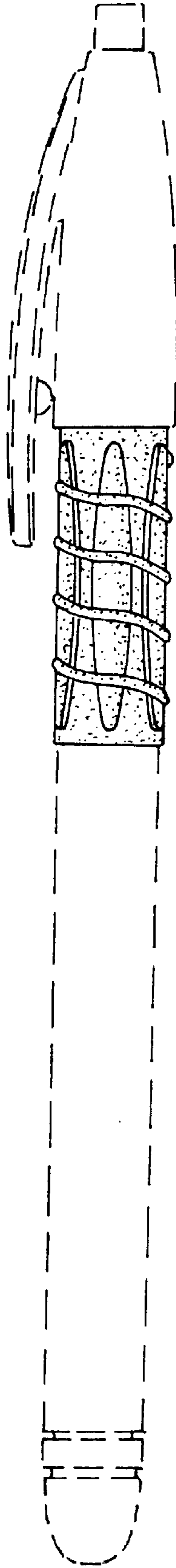


FIG. 3

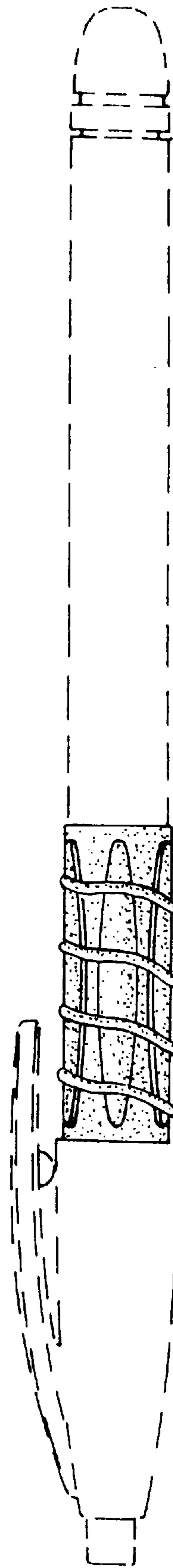


FIG. 4

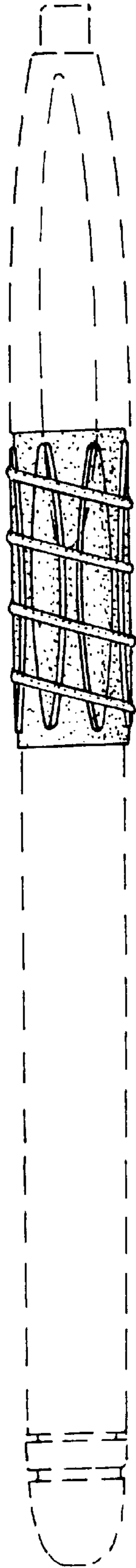


FIG. 5

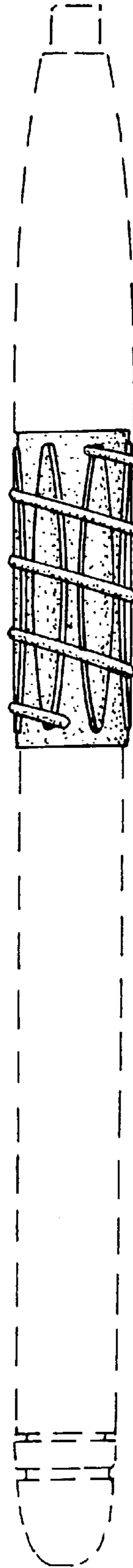


FIG. 6

