



US00D481056S

(12) **United States Design Patent**  
**Kawasaki et al.**

(10) **Patent No.:** **US D481,056 S**

(45) **Date of Patent:** **\*\* Oct. 21, 2003**

(54) **CONTROL PANEL FOR PROJECTOR**

(75) Inventors: **Mugio Kawasaki**, Suwa (JP); **Hirohisa Nakano**, Suwa (JP)

(73) Assignee: **Seiko Epson Corporation**, Tokyo (JP)

(\*\*) Term: **14 Years**

(21) Appl. No.: **29/167,286**

(22) Filed: **Sep. 12, 2002**

(30) **Foreign Application Priority Data**

Mar. 28, 2002 (JP) ..... 2002-008290

(51) **LOC (7) Cl.** ..... **16-02**

(52) **U.S. Cl.** ..... **D16/235**; D13/162

(58) **Field of Search** ..... D13/162; D16/205,  
D16/208, 221, 225, 230, 231, 234, 235;  
353/115, 119, 122

(56) **References Cited**

**U.S. PATENT DOCUMENTS**

D388,769 S \* 1/1998 Pritchard et al. .... D13/162  
D400,902 S \* 11/1998 Yamazaki et al. .... D16/225

D422,292 S \* 4/2000 Takizawa ..... D16/231  
D436,981 S \* 1/2001 Kawasaki et al. .... D16/235  
D451,941 S \* 12/2001 Takizawa ..... D16/230  
D465,233 S \* 11/2002 Nagai ..... D16/230  
6,491,399 B1 \* 12/2002 Fujimori ..... 353/119

**FOREIGN PATENT DOCUMENTS**

JP HB12011534 2/2001

\* cited by examiner

*Primary Examiner*—Adir Aronovich

(74) *Attorney, Agent, or Firm*—Oliff & Berridge, PLC

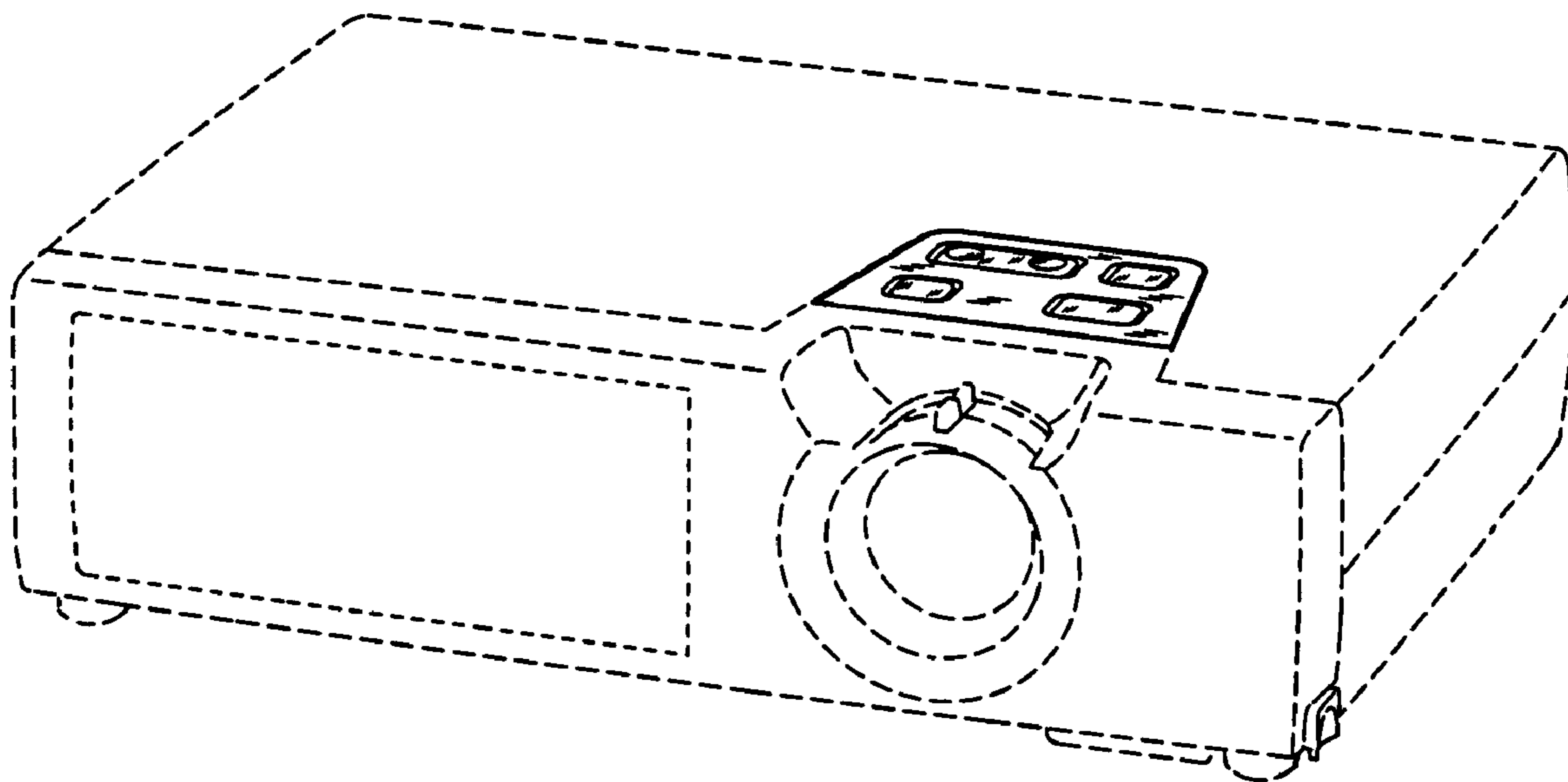
(57) **CLAIM**

The ornamental design for a control panel for projector, as shown and described.

**DESCRIPTION**

FIG. 1 is a perspective view of a control panel for projector; FIG. 2 is a top view thereof; and, FIG. 3 is an enlarged top view thereof. The broken line showing is for illustrative purposes only and does not form part of the claimed design.

**1 Claim, 2 Drawing Sheets**



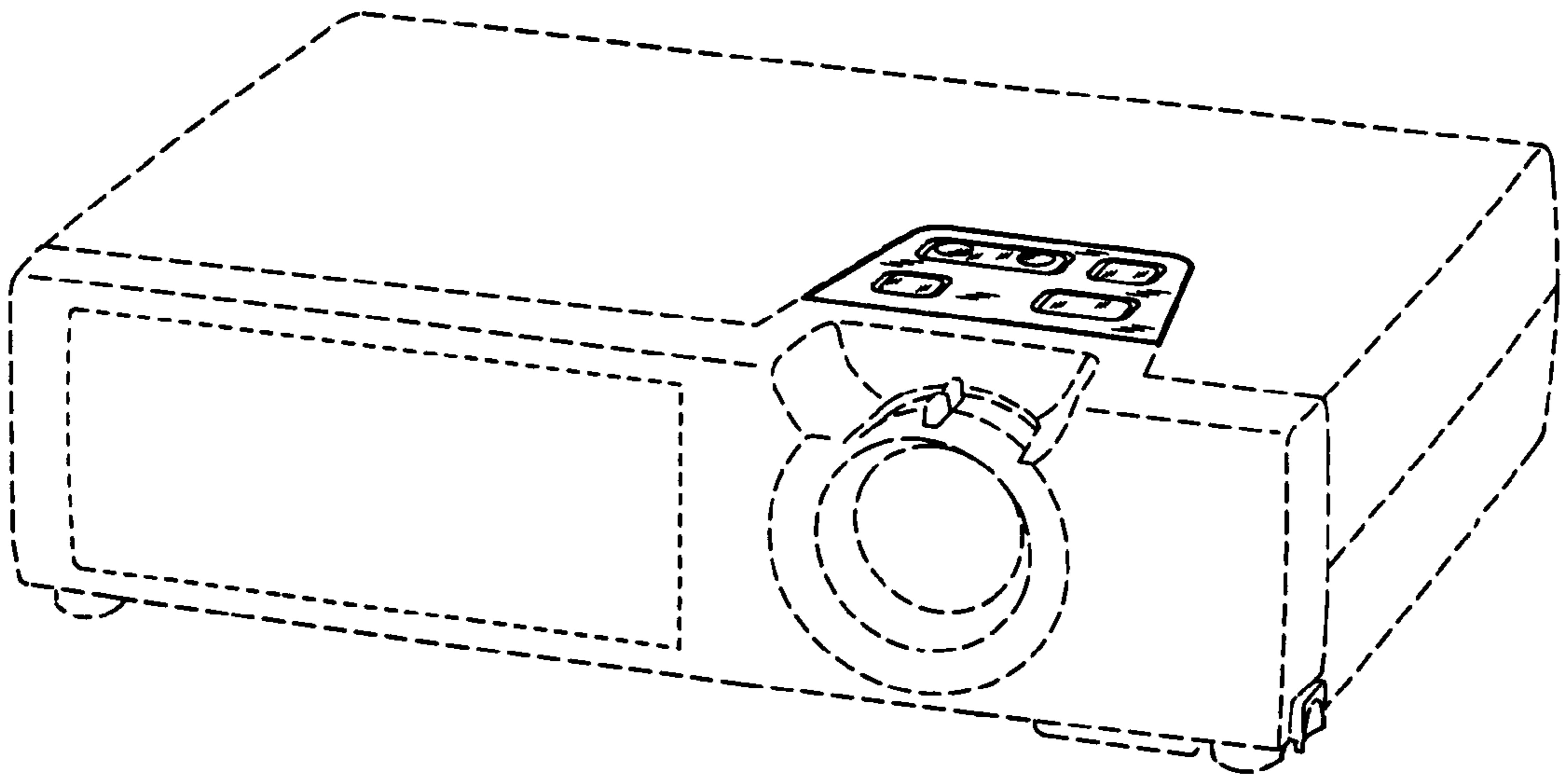


FIG. 1

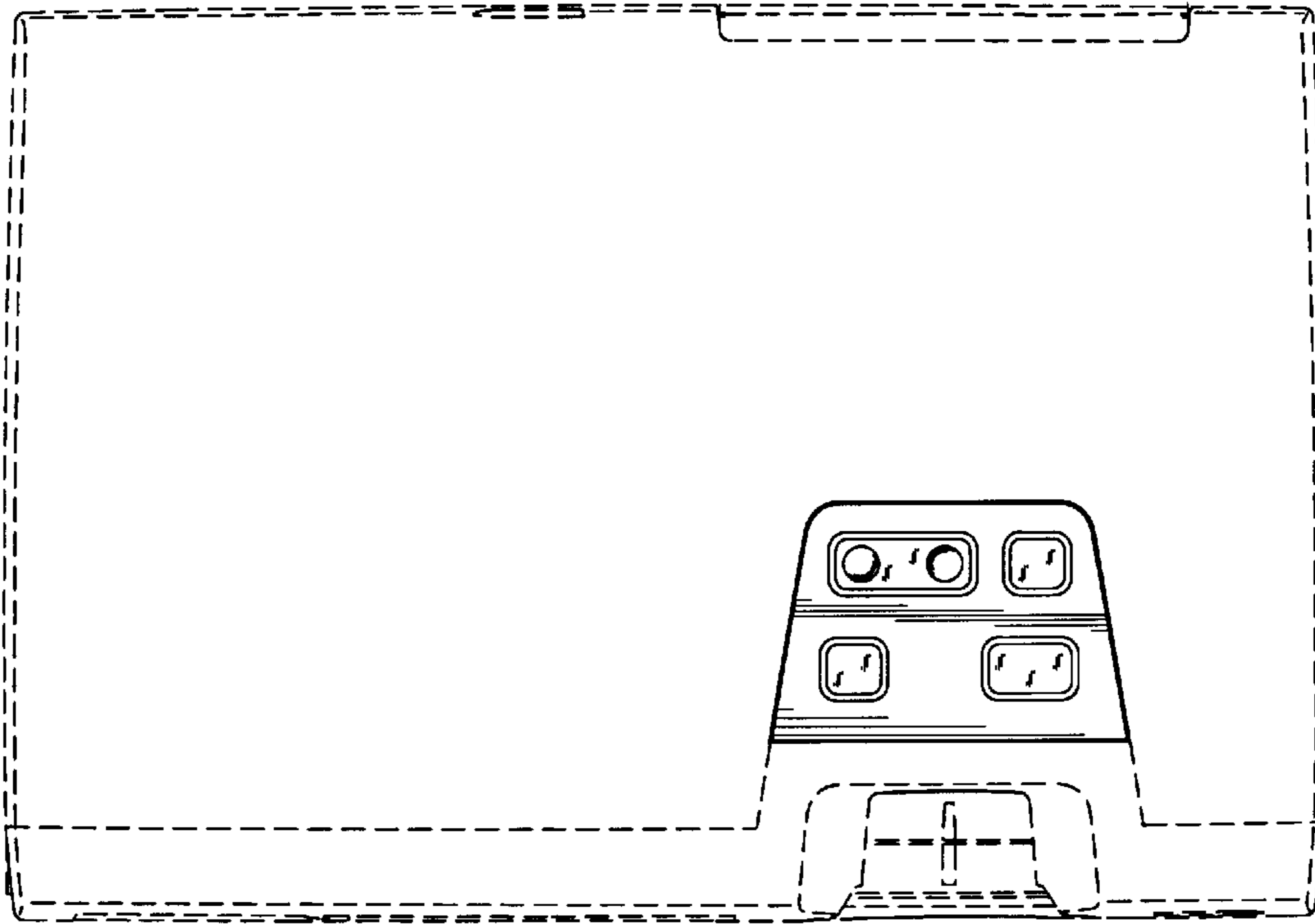


FIG. 2

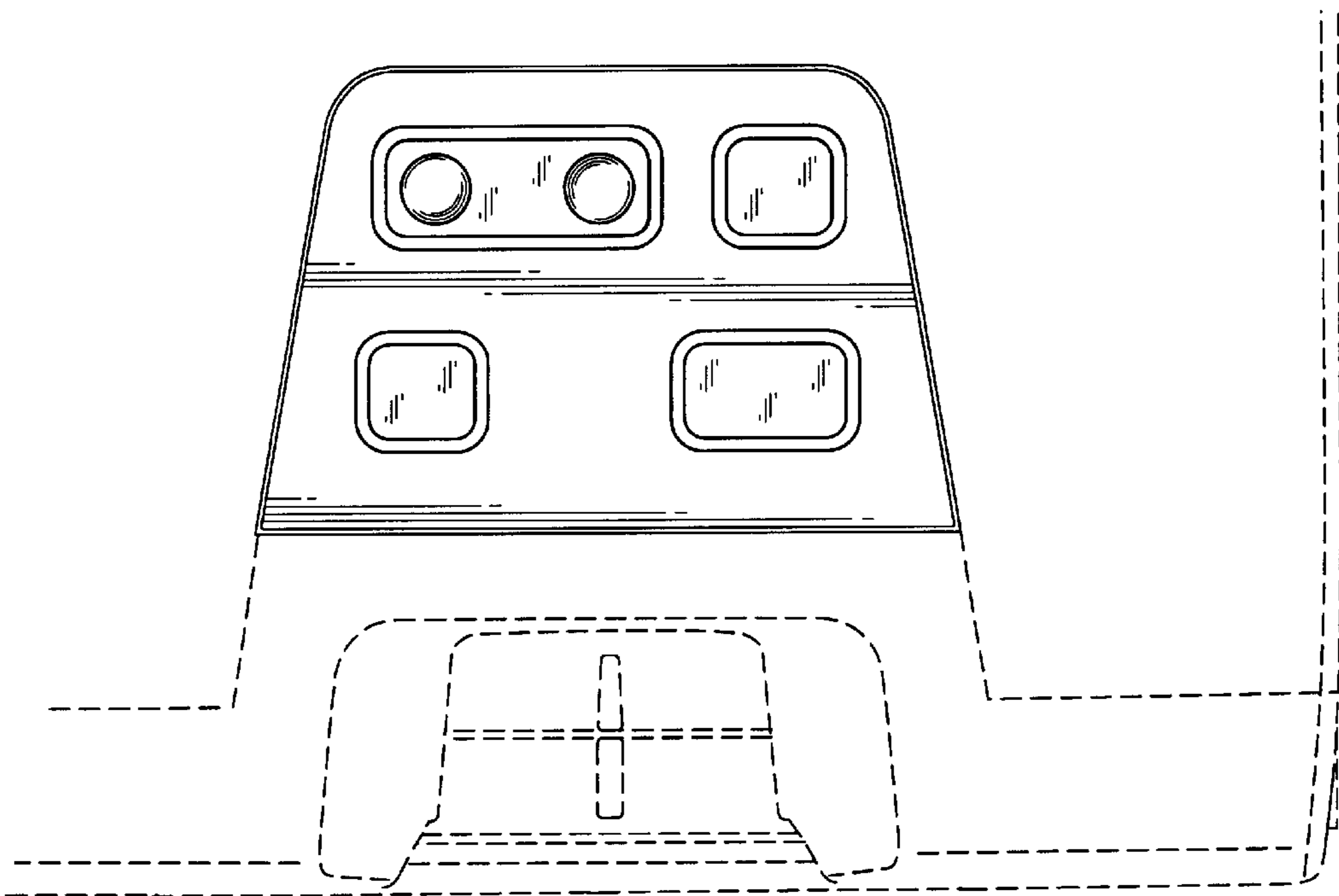


FIG. 3