



US00D481055S

(12) **United States Design Patent**
Senda

(10) **Patent No.:** **US D481,055 S**

(45) **Date of Patent:** **** Oct. 21, 2003**

(54) **CAMERA**

(75) **Inventor:** **Yutaka Senda, Tokyo (JP)**

(73) **Assignee:** **Fuji Photo Film Co., Ltd., Kanagawa (JP)**

(**) **Term:** **14 Years**

(21) **Appl. No.:** **29/172,775**

(22) **Filed:** **Dec. 18, 2002**

(30) **Foreign Application Priority Data**

Jun. 21, 2002 (JP) 2002-016746

(51) **LOC (7) Cl.** **16-01**

(52) **U.S. Cl.** **D16/209; D16/218**

(58) **Field of Search** **D16/200-206, D16/208, 209, 218; 396/6, 7, 535-541**

(56) **References Cited**

U.S. PATENT DOCUMENTS

- D329,447 S * 9/1992 McBride D16/209
- D416,931 S * 11/1999 Funato et al. D16/209
- D428,904 S * 8/2000 Oshima D16/209
- D436,610 S * 1/2001 Kondo D16/209
- 6,208,807 B1 * 3/2001 Uchida et al. 396/6

- 6,222,995 B1 * 4/2001 Uchida 396/6
- D454,359 S 3/2002 Katayama D16/208
- D460,098 S 7/2002 Katayama D16/209
- D460,473 S 7/2002 Katayama D16/209
- D460,774 S 7/2002 Katayama D16/209
- D473,889 S * 4/2003 Kondo D16/209

* cited by examiner

Primary Examiner—Adir Aronovich

(74) *Attorney, Agent, or Firm*—Young & Thompson

(57) **CLAIM**

The ornamental design for a camera, as shown.

DESCRIPTION

FIG. 1 is a top, front and side perspective view of a camera showing my new design;
 FIG. 2 is a front elevational view thereof;
 FIG. 3 is a rear elevational view thereof;
 FIG. 4 is a top plan view thereof;
 FIG. 5 is a bottom plan view thereof;
 FIG. 6 is a side elevational view thereof from the right of FIG. 2; and,
 FIG. 7 is a side elevational view thereof from the left of FIG. 2.

1 Claim, 3 Drawing Sheets

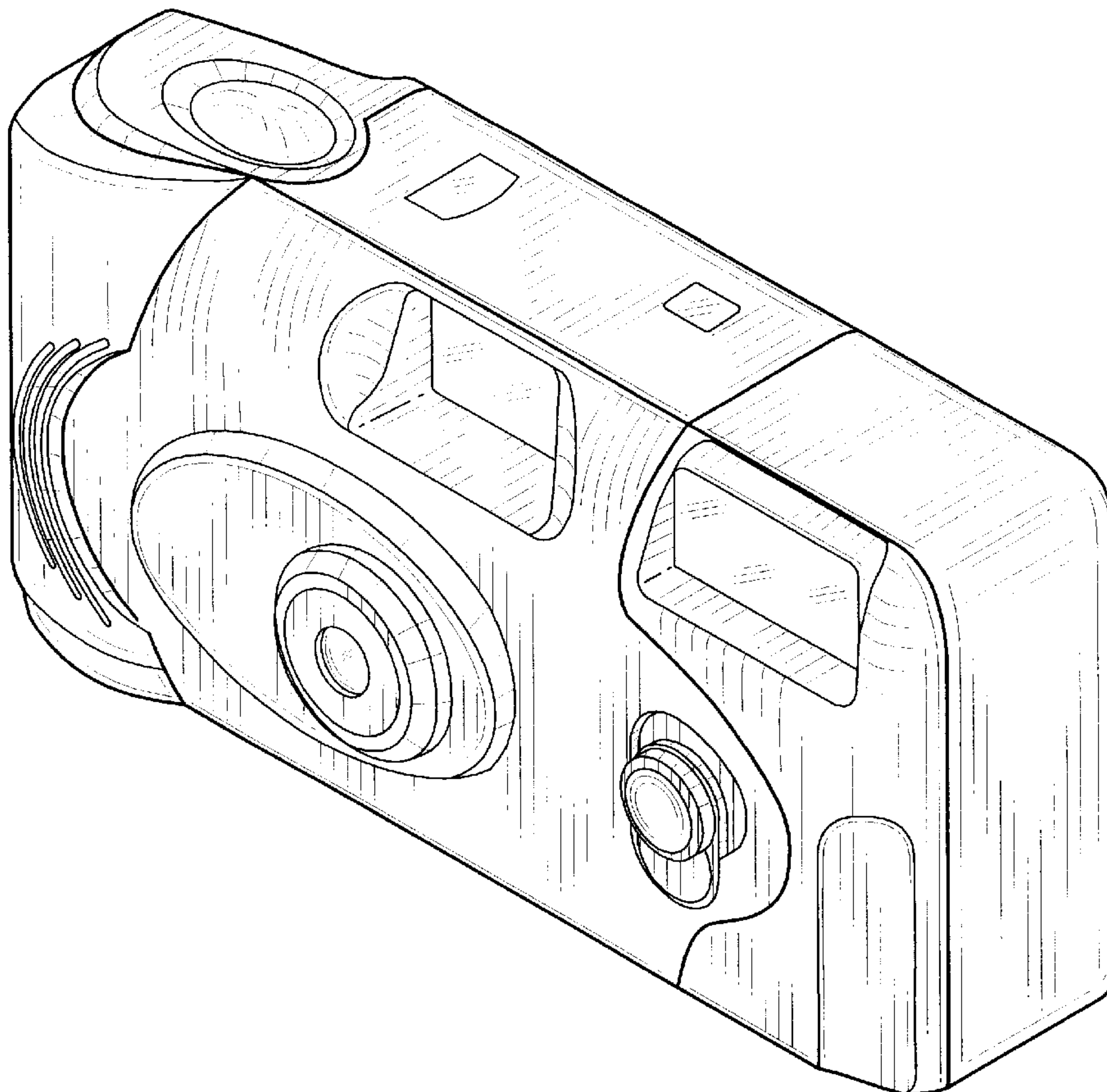


FIG. 1

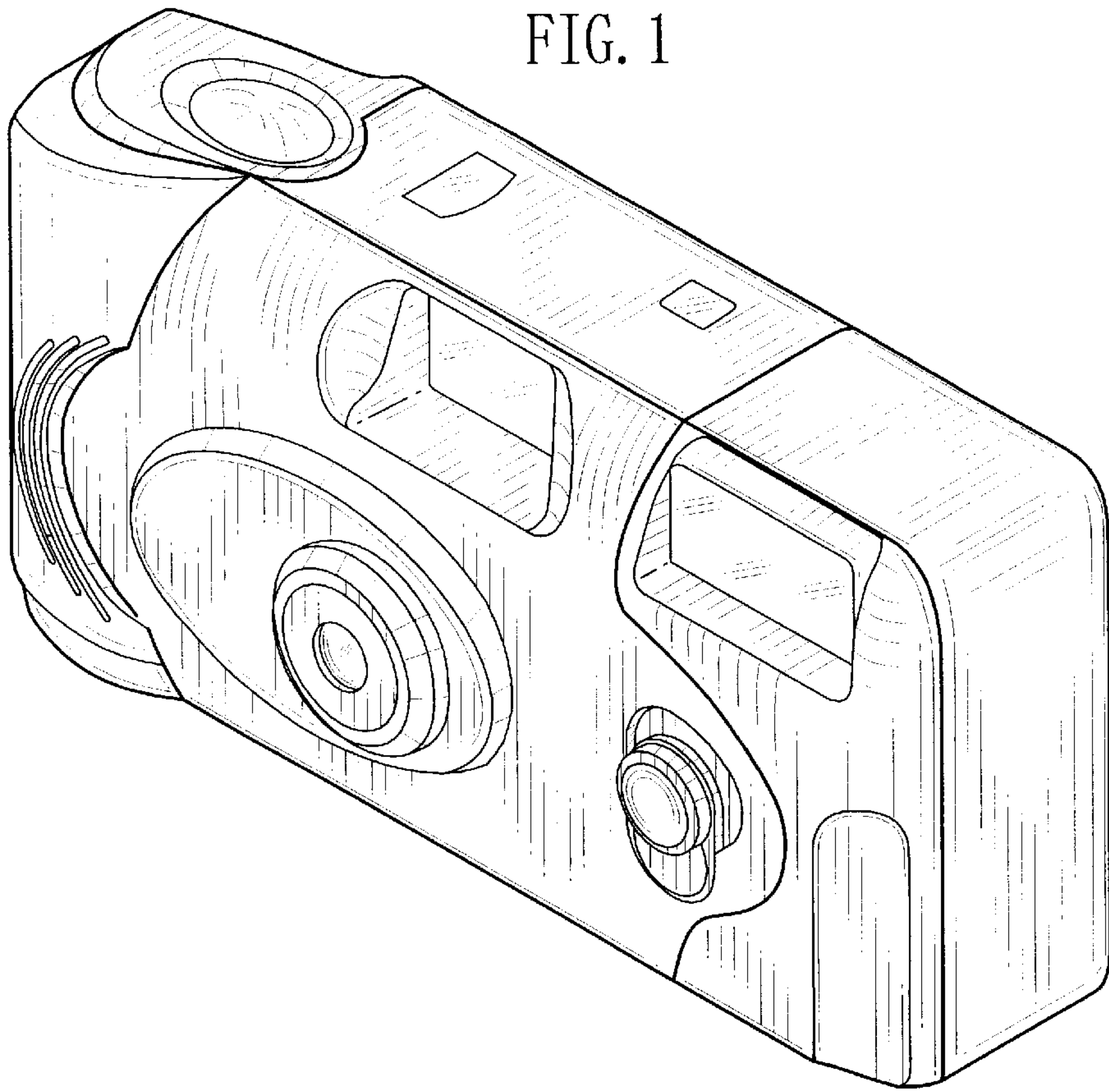


FIG. 2

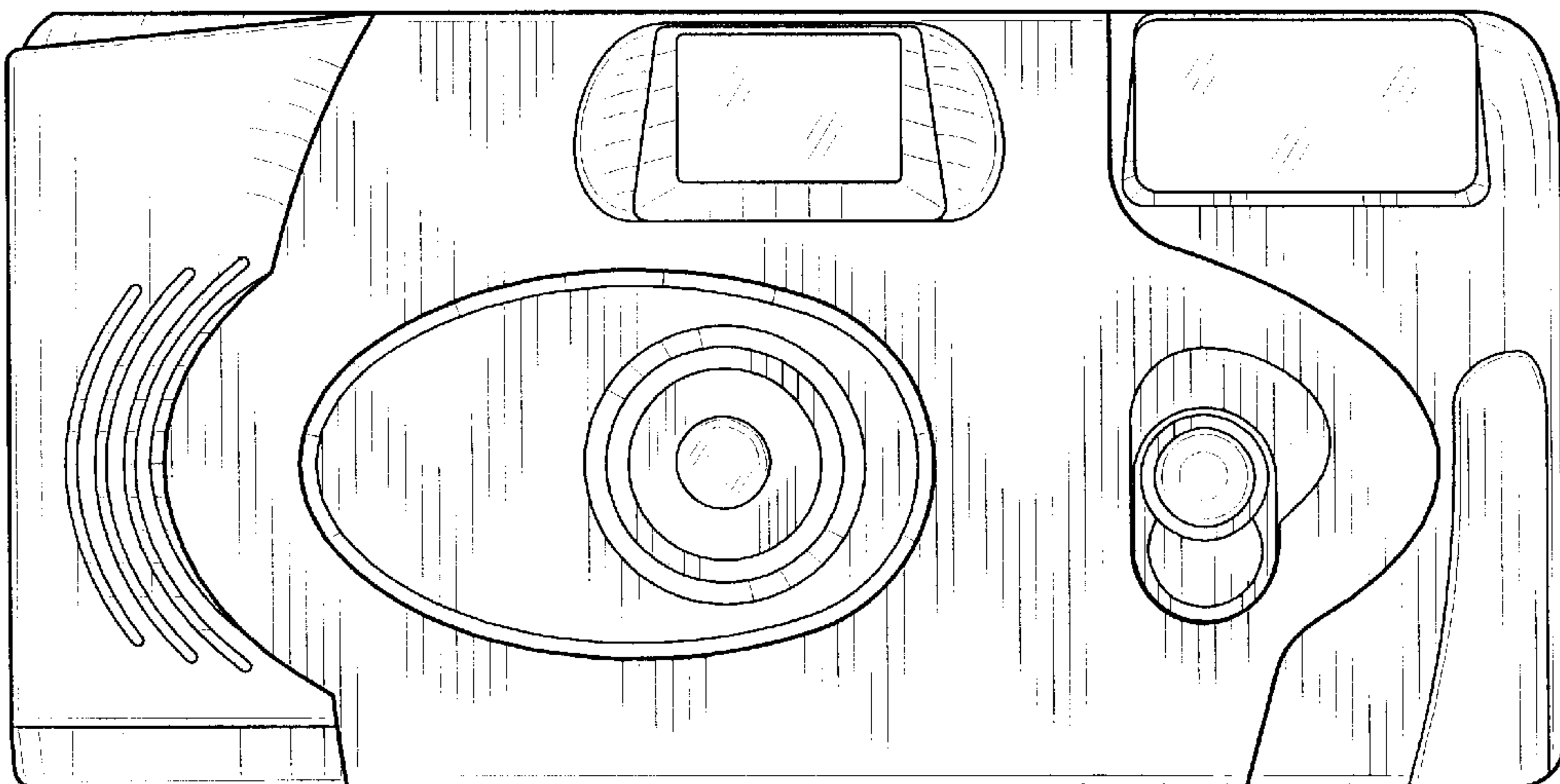


FIG. 3

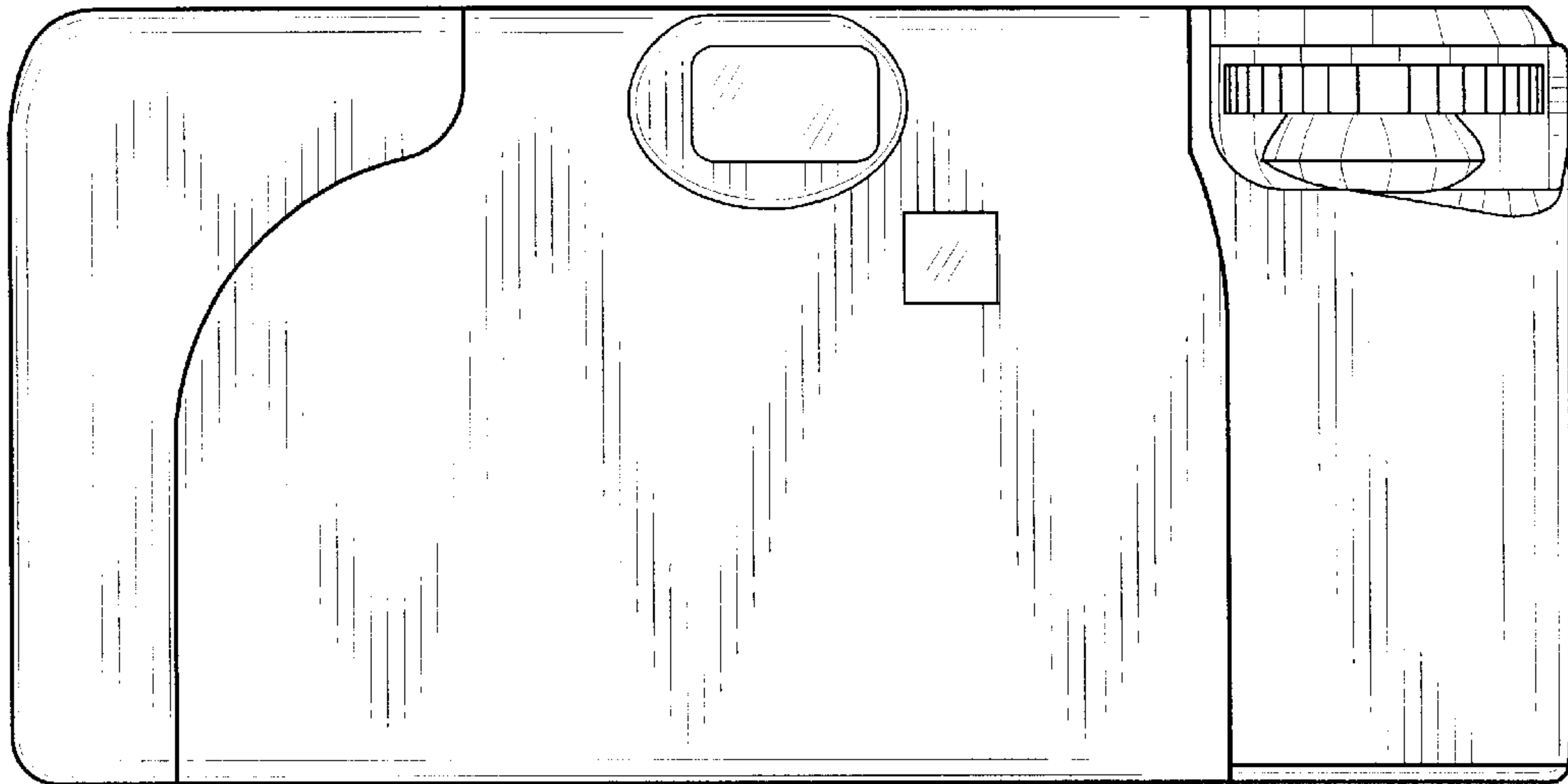


FIG. 4

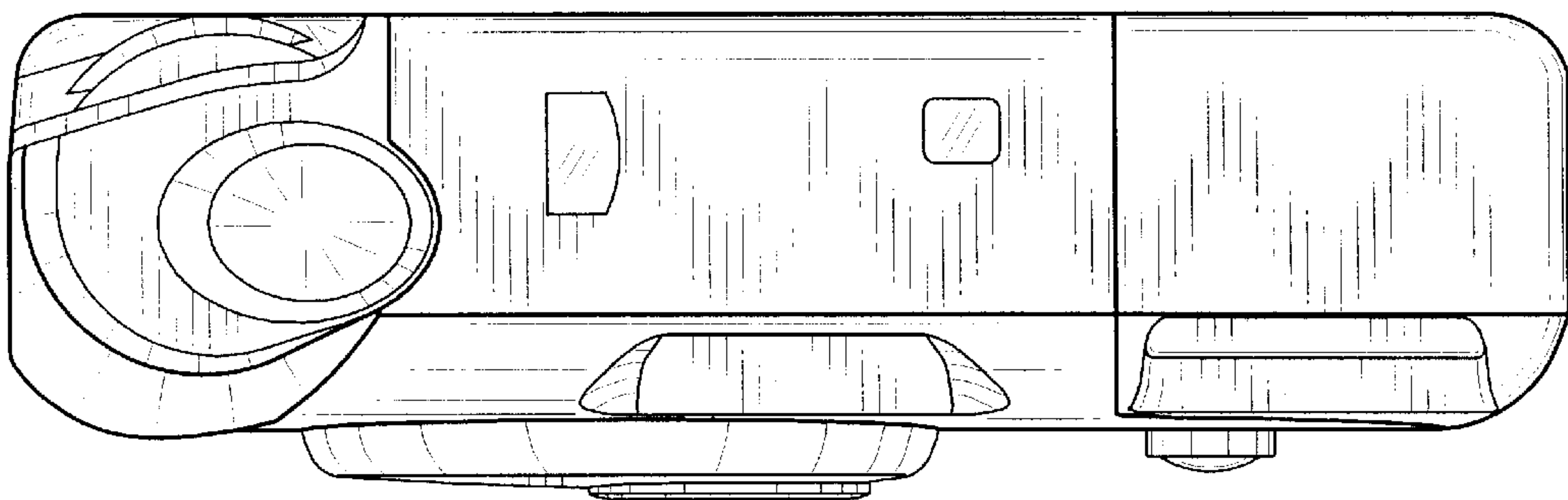


FIG. 5

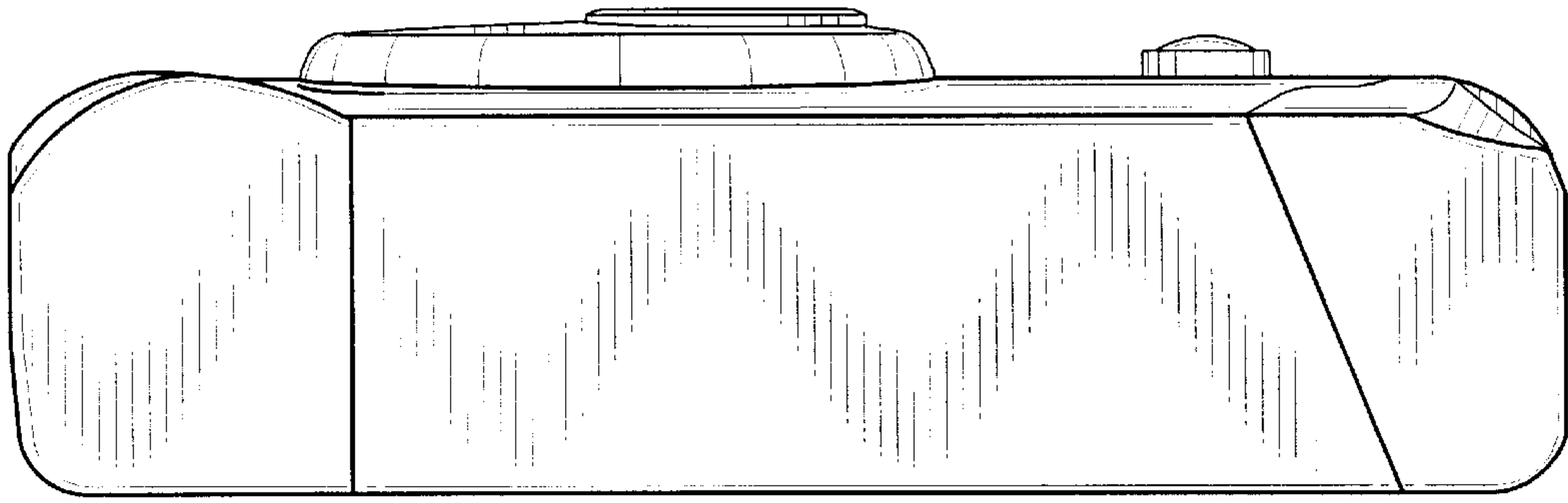


FIG. 6

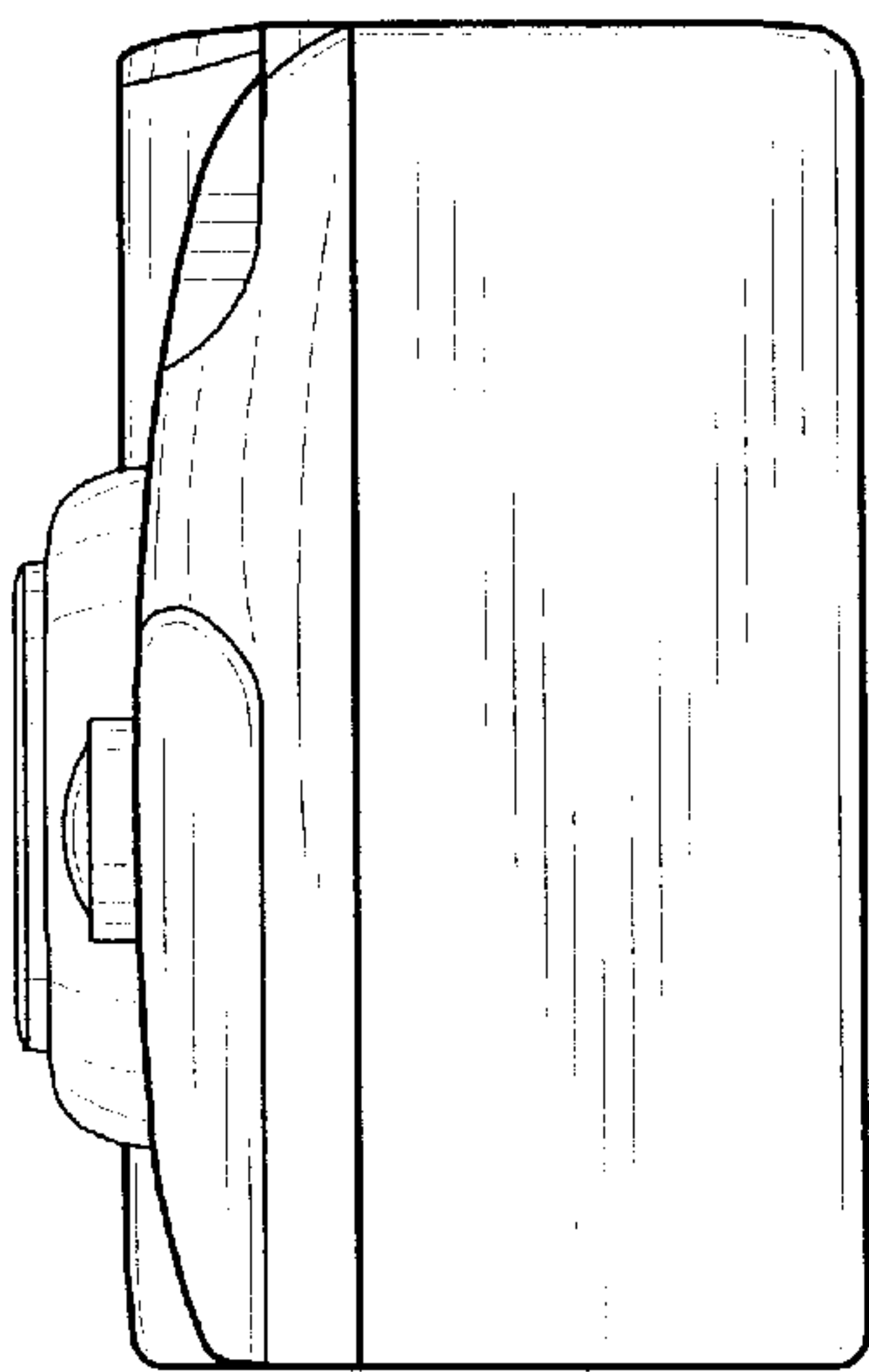


FIG. 7

