



US00D481052S

(12) **United States Design Patent**  
**Ogura**

(10) **Patent No.:** **US D481,052 S**

(45) **Date of Patent:** **\*\* Oct. 21, 2003**

(54) **ELECTRONIC STILL CAMERA**

(75) Inventor: **Ryosuke Ogura**, Tokyo (JP)

(73) Assignee: **Fuji Photo Film Co., Ltd.**, Kanagawa (JP)

(\*\*) Term: **14 Years**

(21) Appl. No.: **29/172,930**

(22) Filed: **Dec. 20, 2002**

(30) **Foreign Application Priority Data**

Jun. 21, 2002 (JP) ..... 2002-016745

(51) **LOC (7) Cl.** ..... **16-01**

(52) **U.S. Cl.** ..... **D16/202; D16/206**

(58) **Field of Search** ..... **D16/200-206, D16/208, 217, 218; 348/373-376; 358/906, 909.1; 396/61, 448, 535-541**

(56) **References Cited**

**U.S. PATENT DOCUMENTS**

4,945,372 A *	7/1990	Higuchi et al.	396/61
5,870,645 A *	2/1999	Tanbara et al.	396/539
D408,040 S *	4/1999	Miyahara	D16/202
6,033,130 A *	3/2000	Muroi et al.	396/448
D441,778 S *	5/2001	Funakoshi	D16/202
D444,163 S *	6/2001	Yoshida	D16/202
D447,500 S *	9/2001	Funato	D16/202
D467,951 S *	12/2002	Tanaka	D16/202
D474,793 S *	5/2003	Yoshida	D16/202

\* cited by examiner

*Primary Examiner*—Adir Aronovich

(74) *Attorney, Agent, or Firm*—Young & Thompson

(57) **CLAIM**

The ornamental design for an electronic still camera, as shown and described.

**DESCRIPTION**

FIG. 1 is a top, front and side perspective view of an electronic still camera showing the first embodiment of my new design;

FIG. 2 is a front elevational view thereof;

FIG. 3 is a rear elevational view thereof;

FIG. 4 is a top plan view thereof;

FIG. 5 is a bottom plan view thereof;

FIG. 6 is a side elevational view thereof taken from the right of FIG. 2;

FIG. 7 is a side elevational view thereof taken from the left of FIG. 2;

FIG. 8 is a view similar to FIG. 1 with the parts in a different position;

FIG. 9 is a front elevational view thereof with the parts in another different position;

FIG. 10 is a side elevational view thereof from the right of FIG. 9;

FIG. 11 is a top, front and side perspective view of the second embodiment of my new design with an added part;

FIG. 12 is a top, front and side perspective view of the third embodiment of my new design with another added part; and,

FIG. 13 is a view similar to FIG. 12 but with the parts in a different position.

**1 Claim, 8 Drawing Sheets**

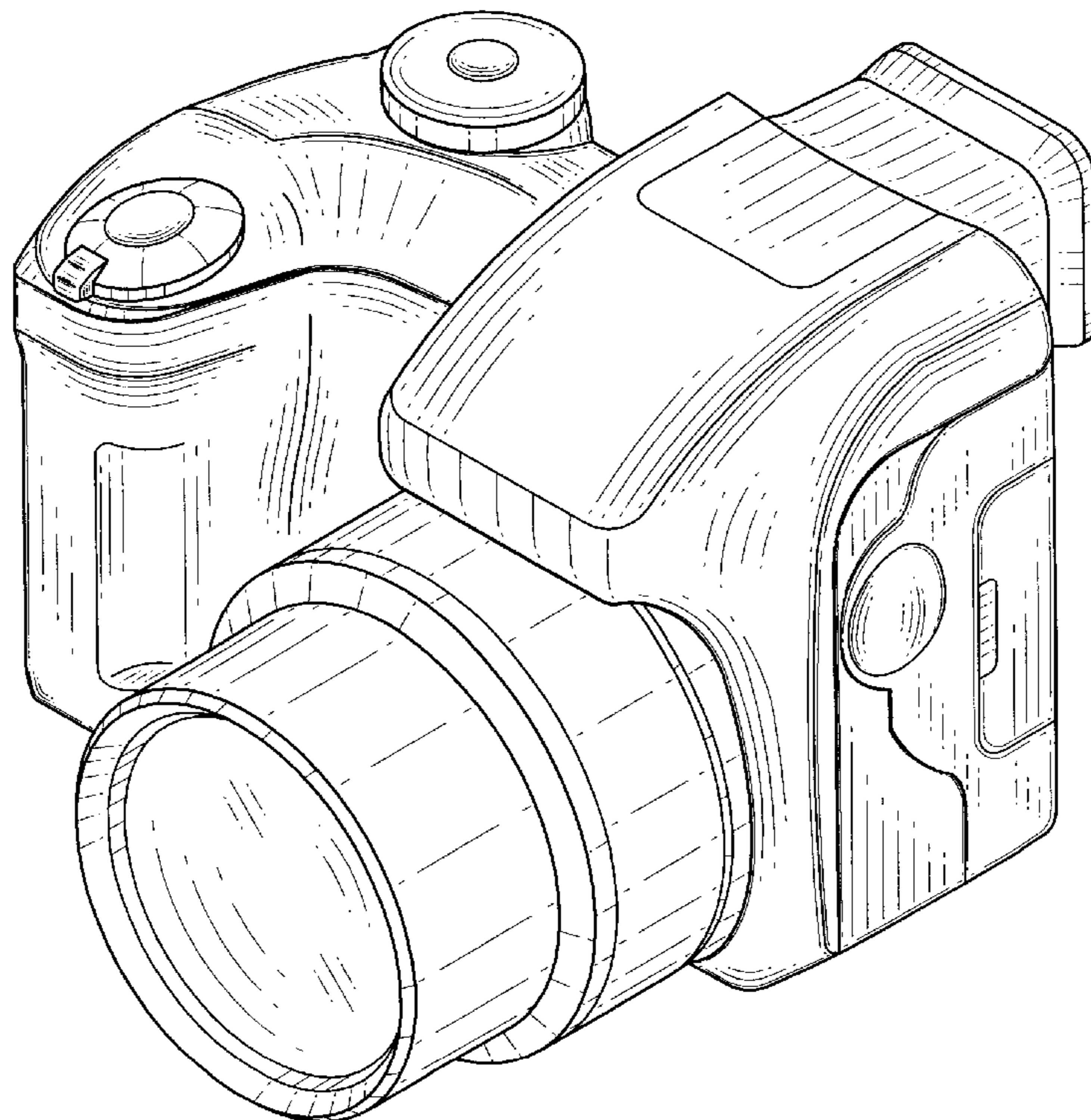


FIG. 1

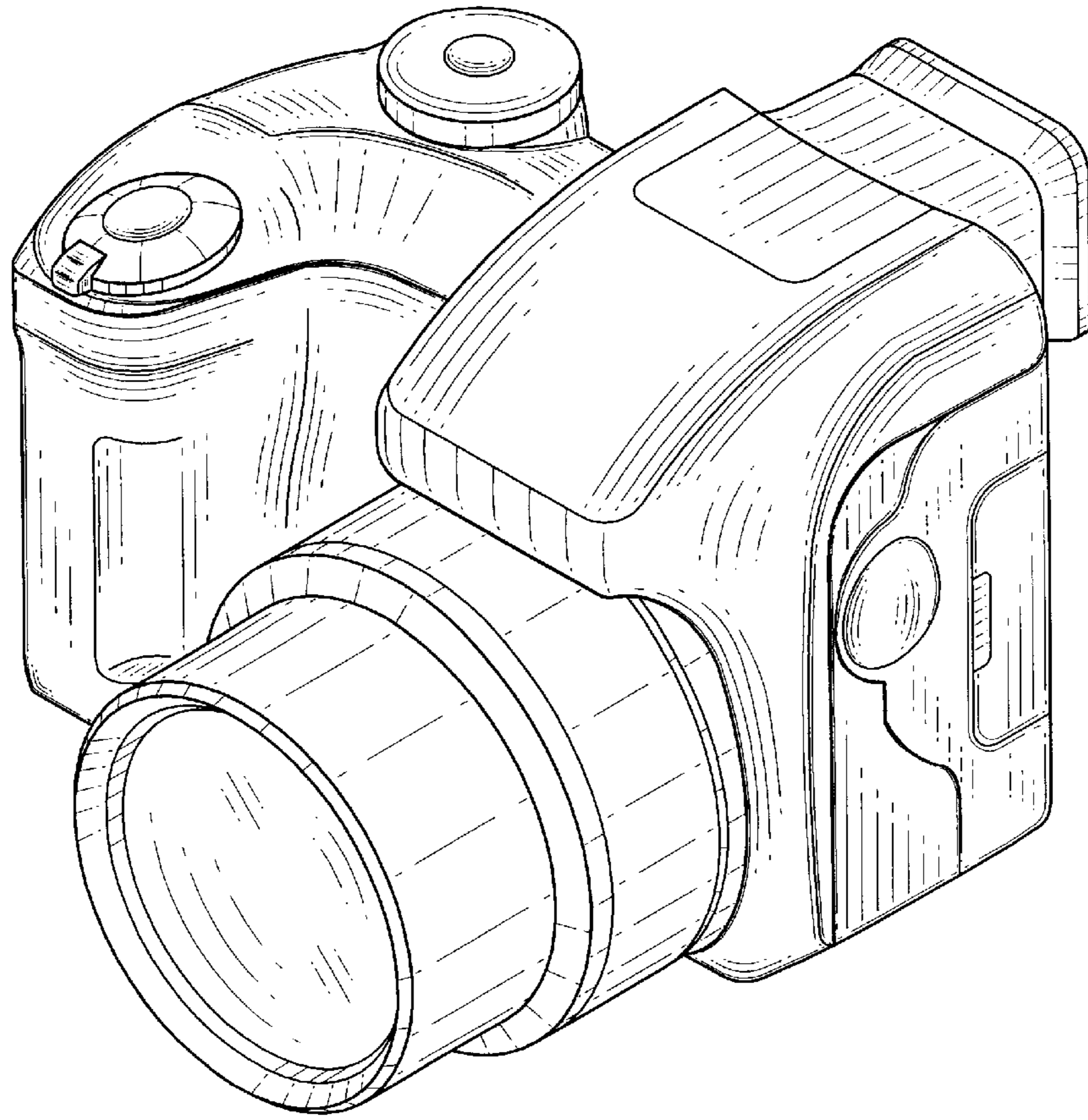


FIG. 2

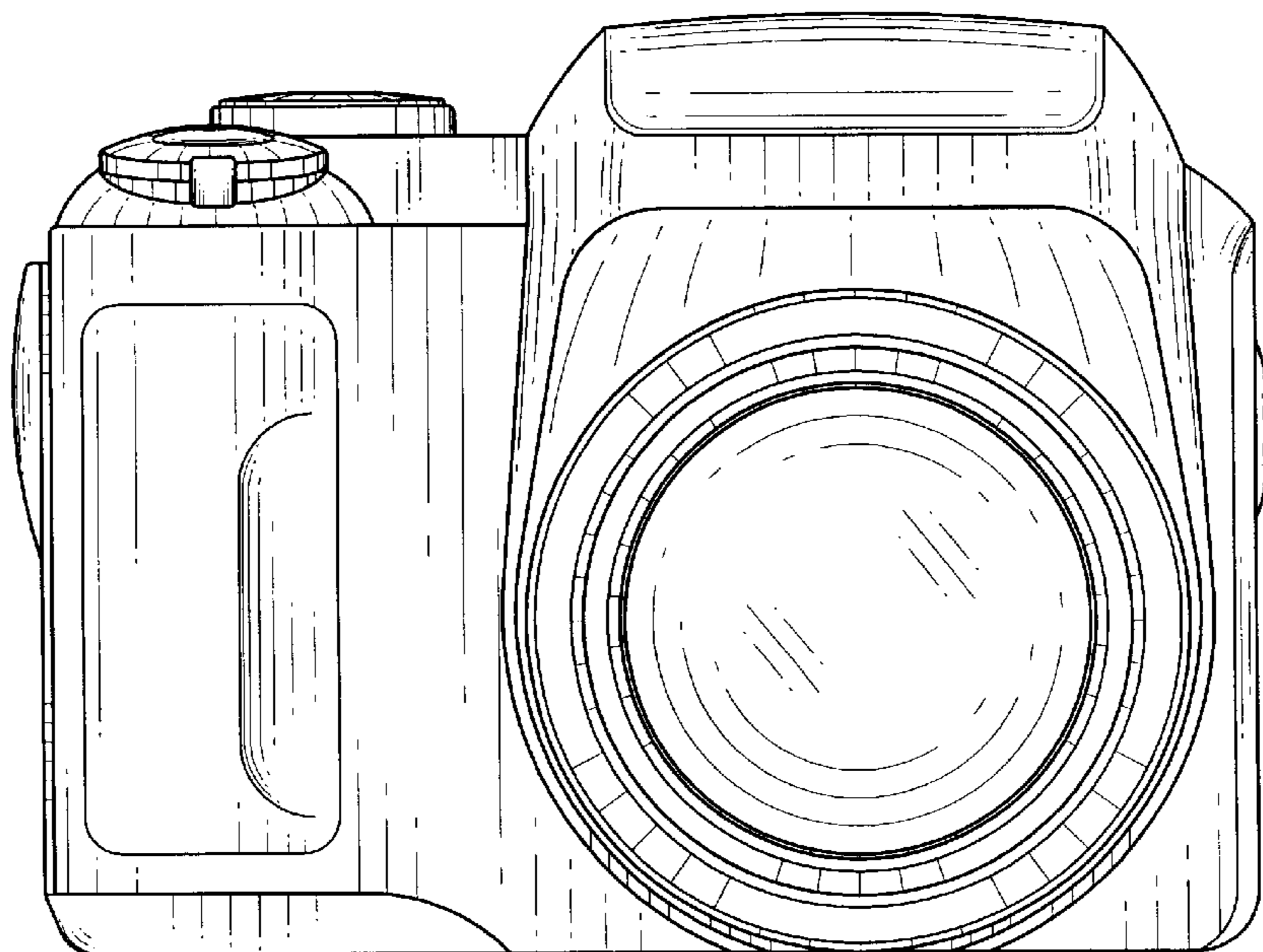


FIG. 3

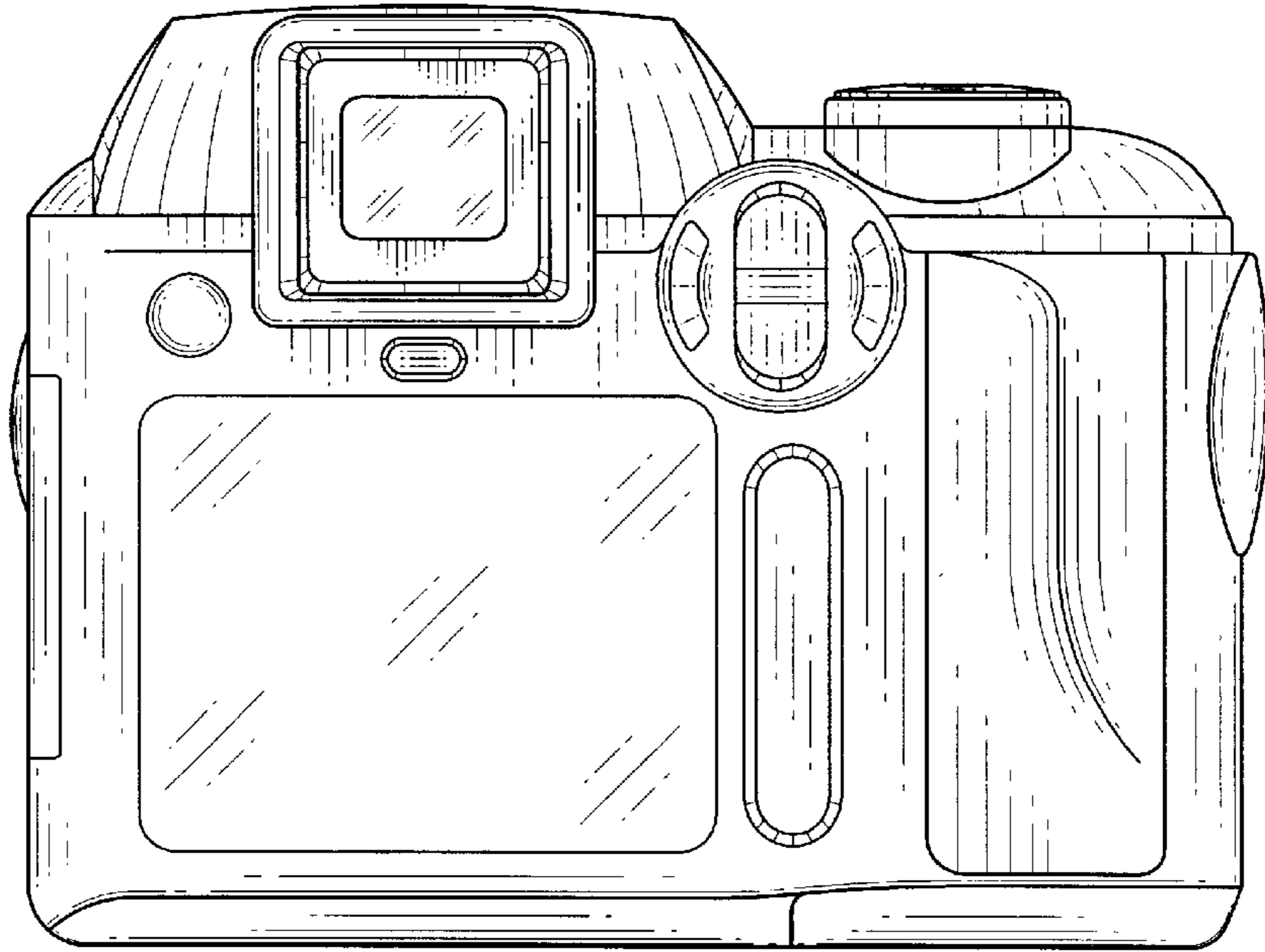


FIG. 4

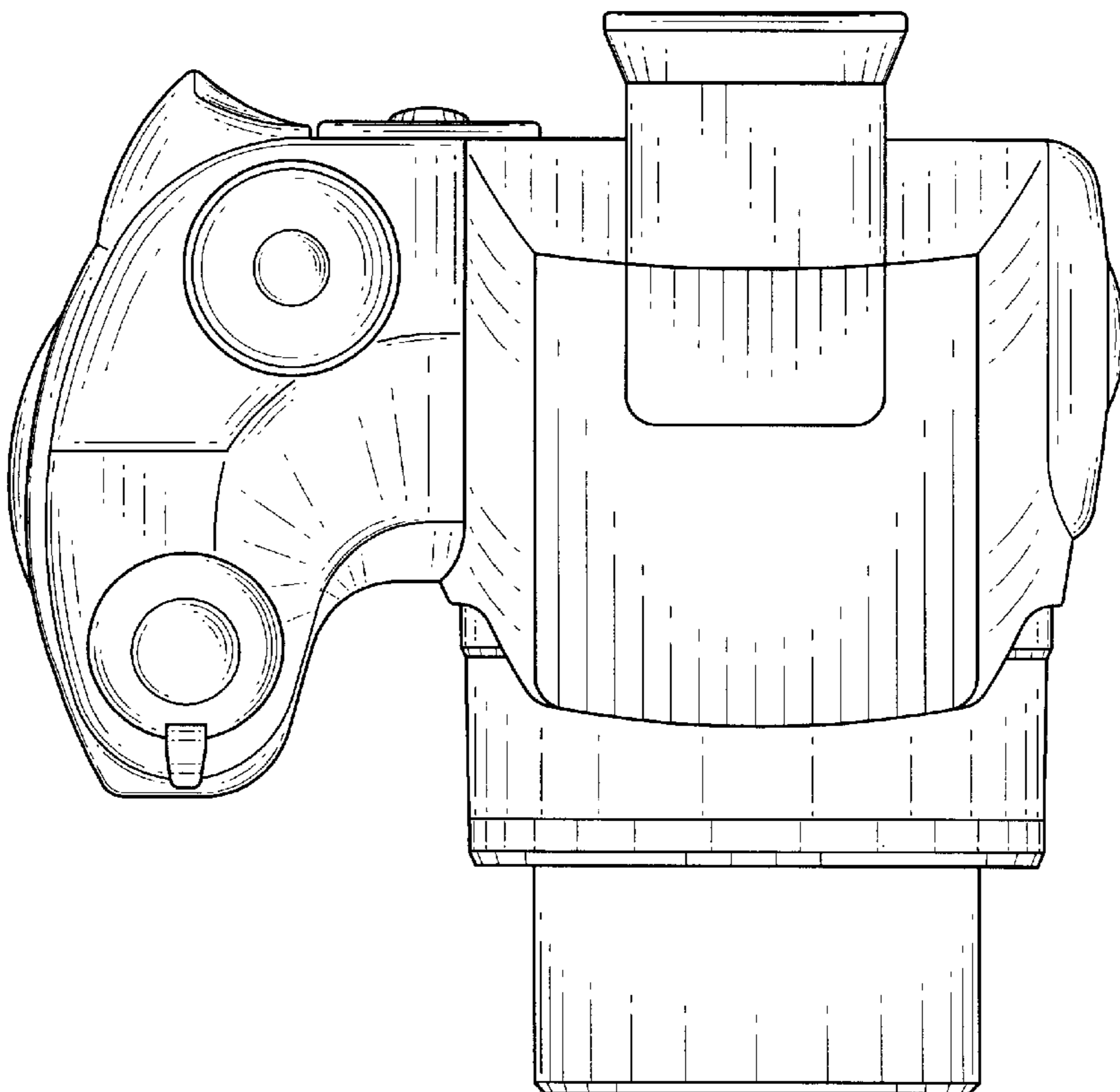


FIG. 5

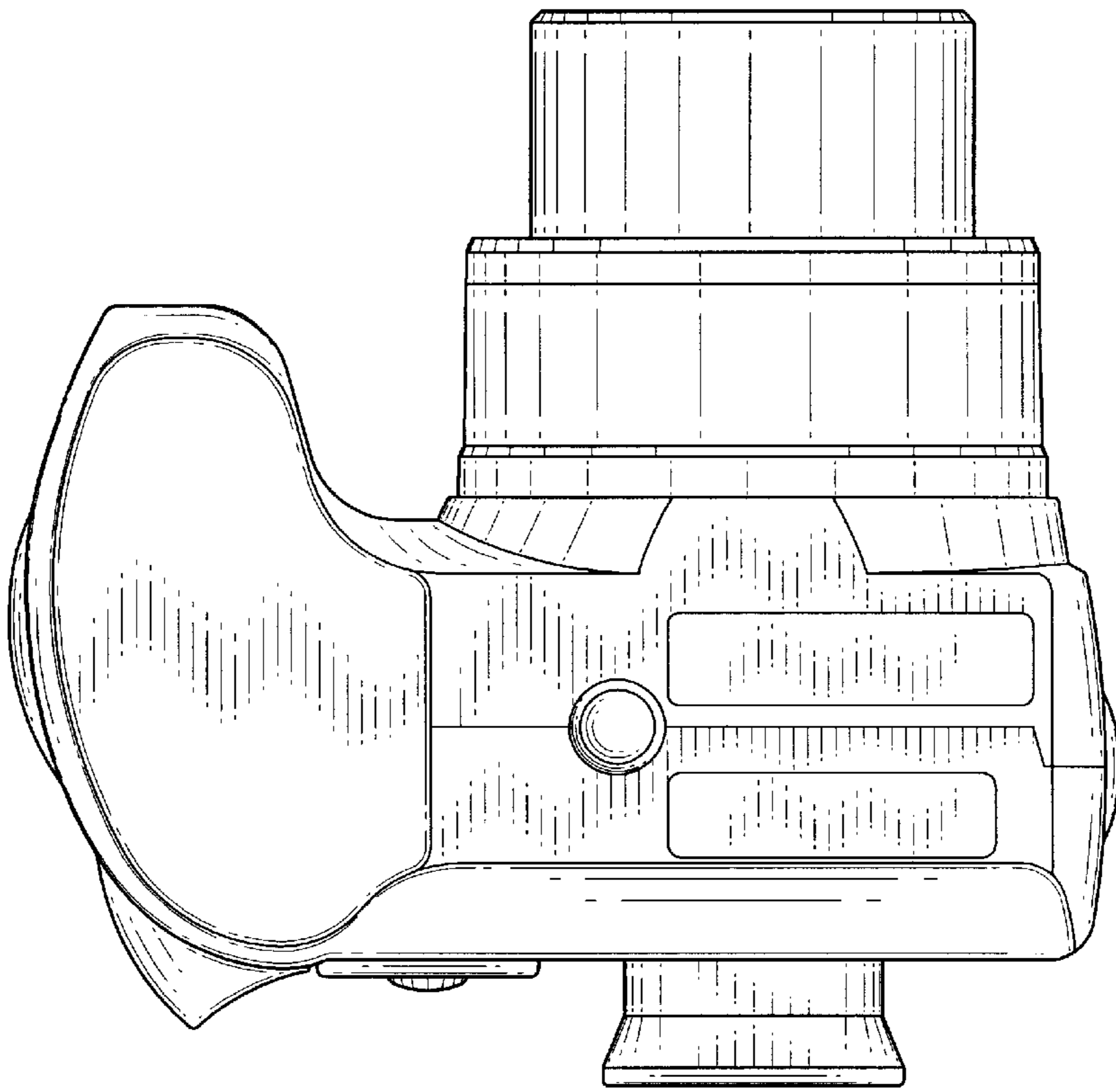


FIG. 6

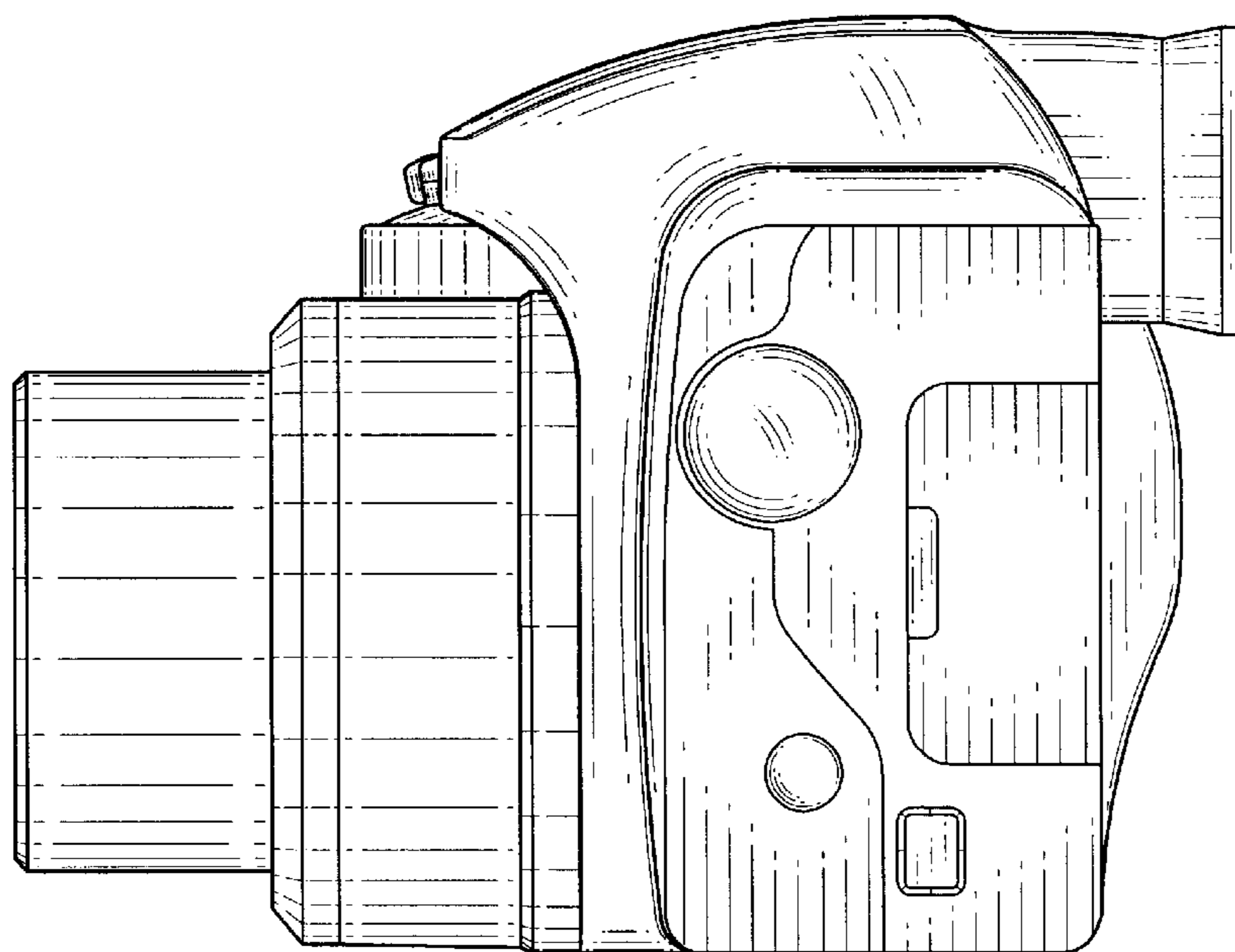


FIG. 7

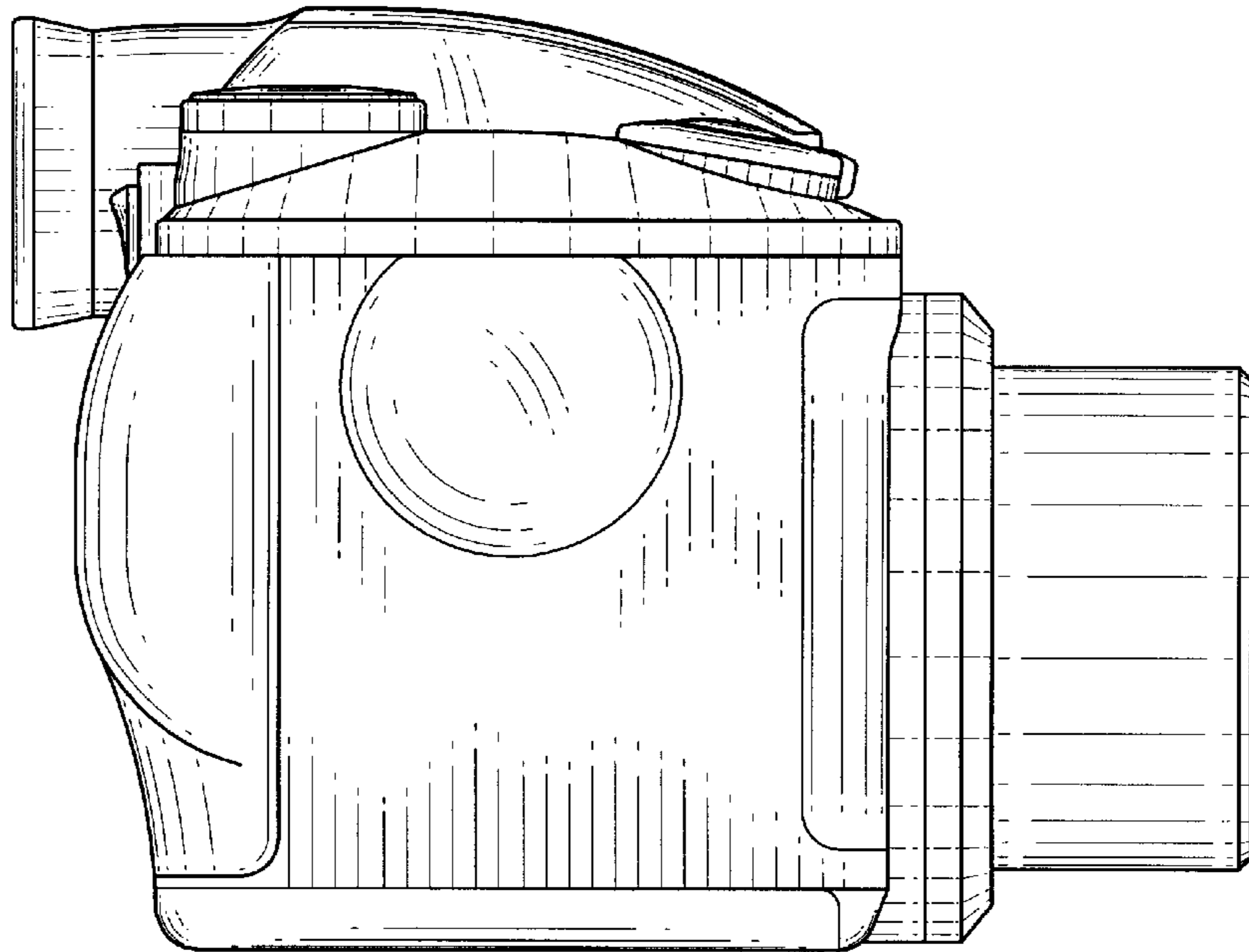


FIG. 8

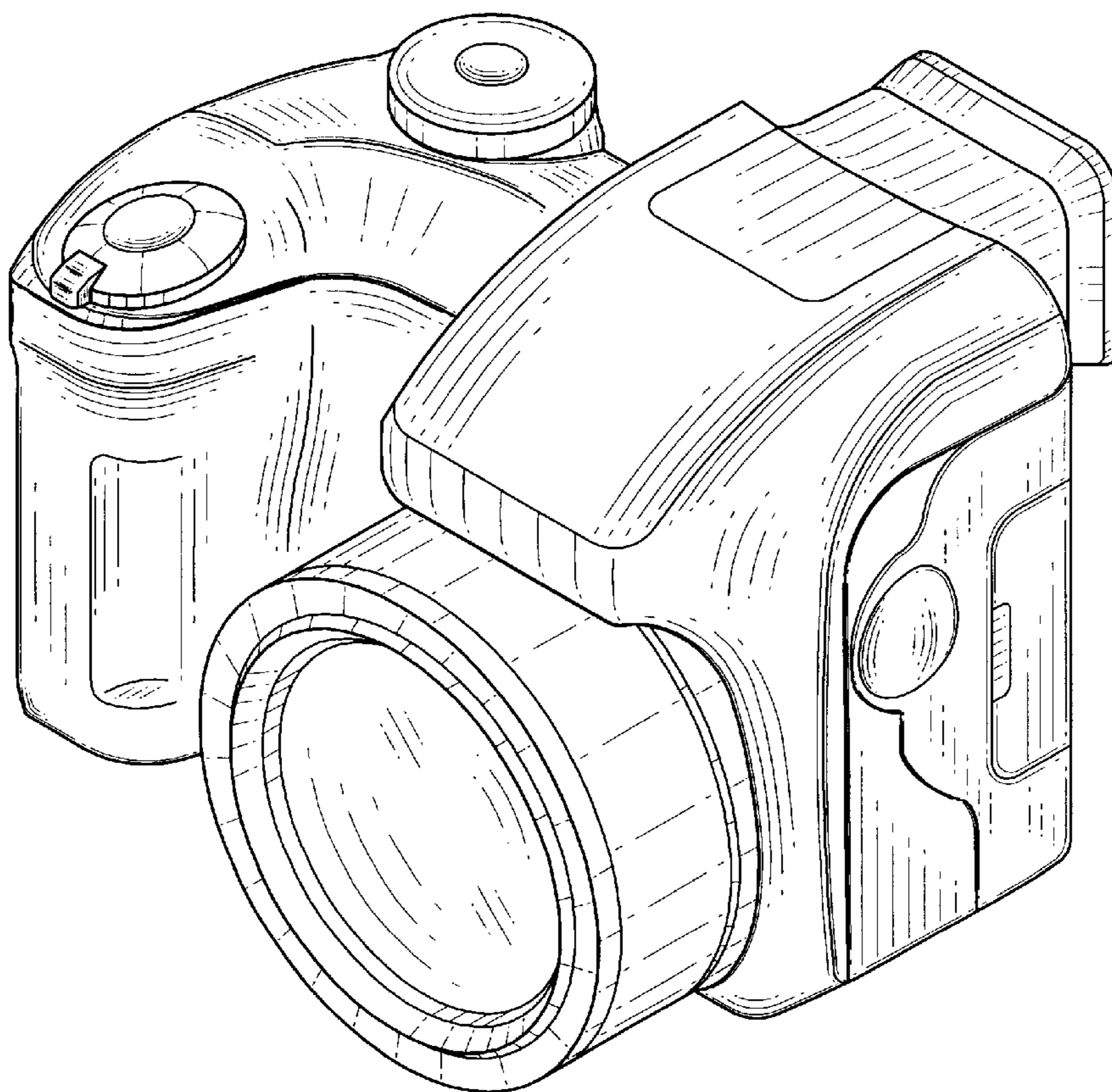


FIG. 9

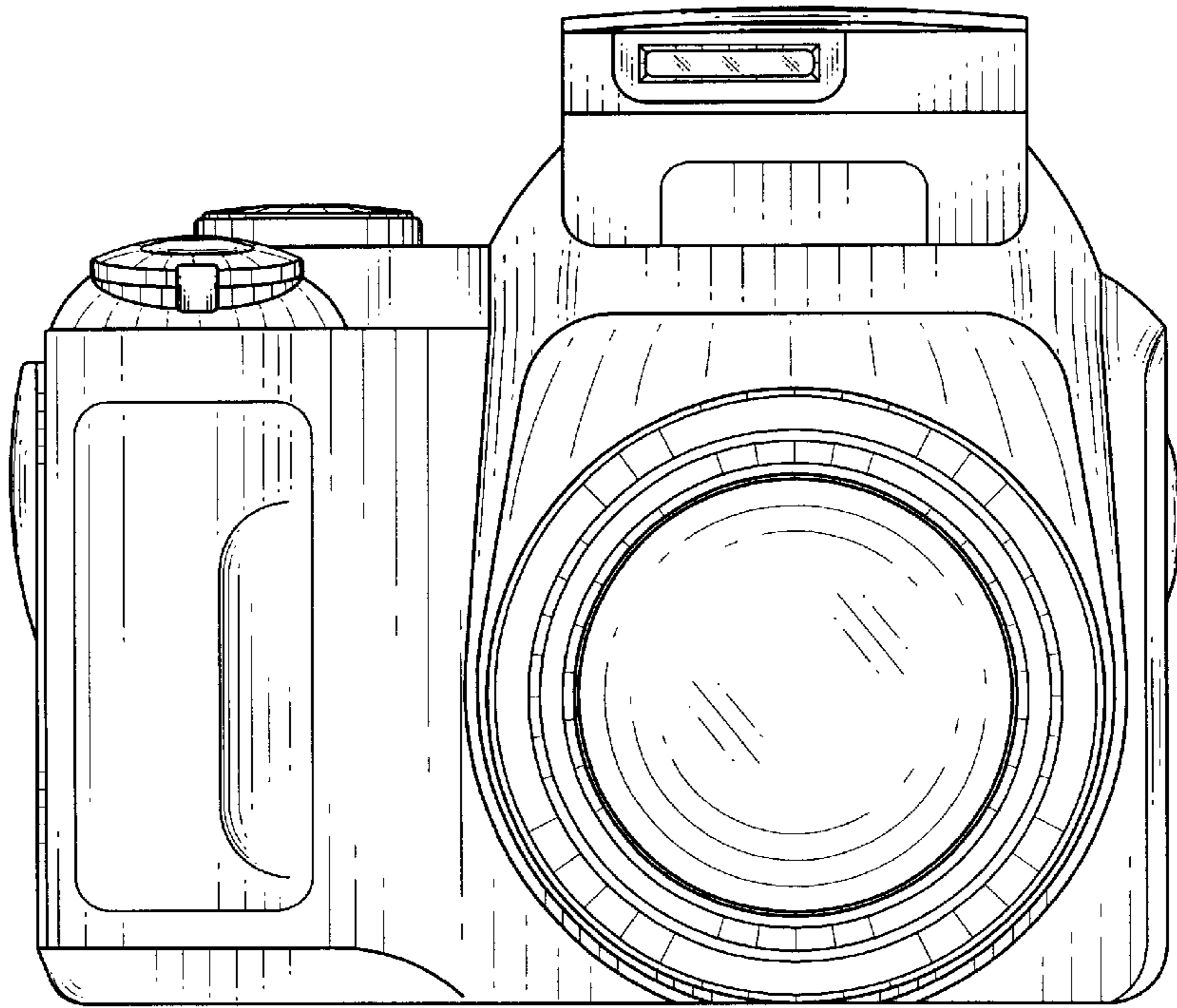


FIG. 10

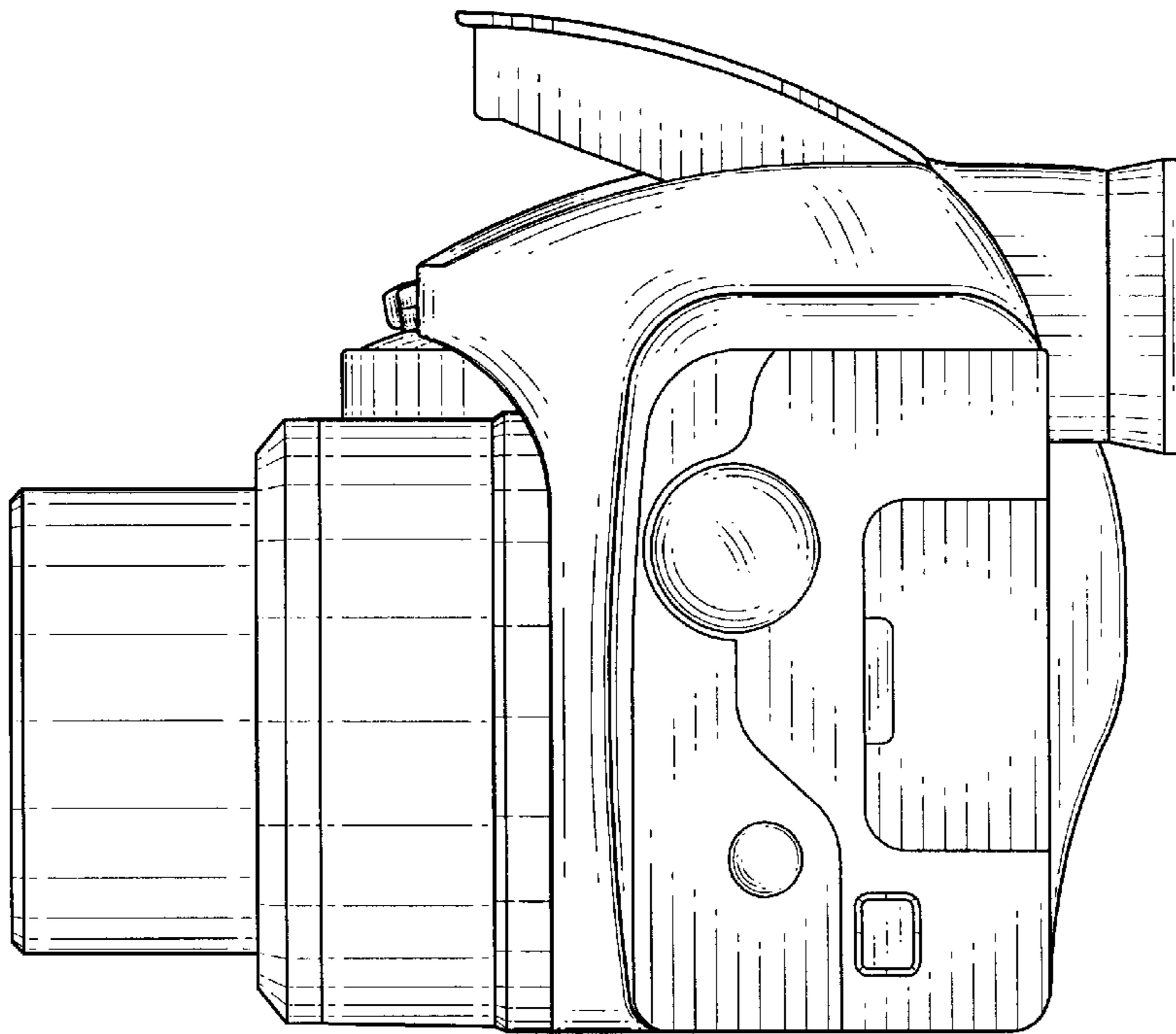


FIG. 11

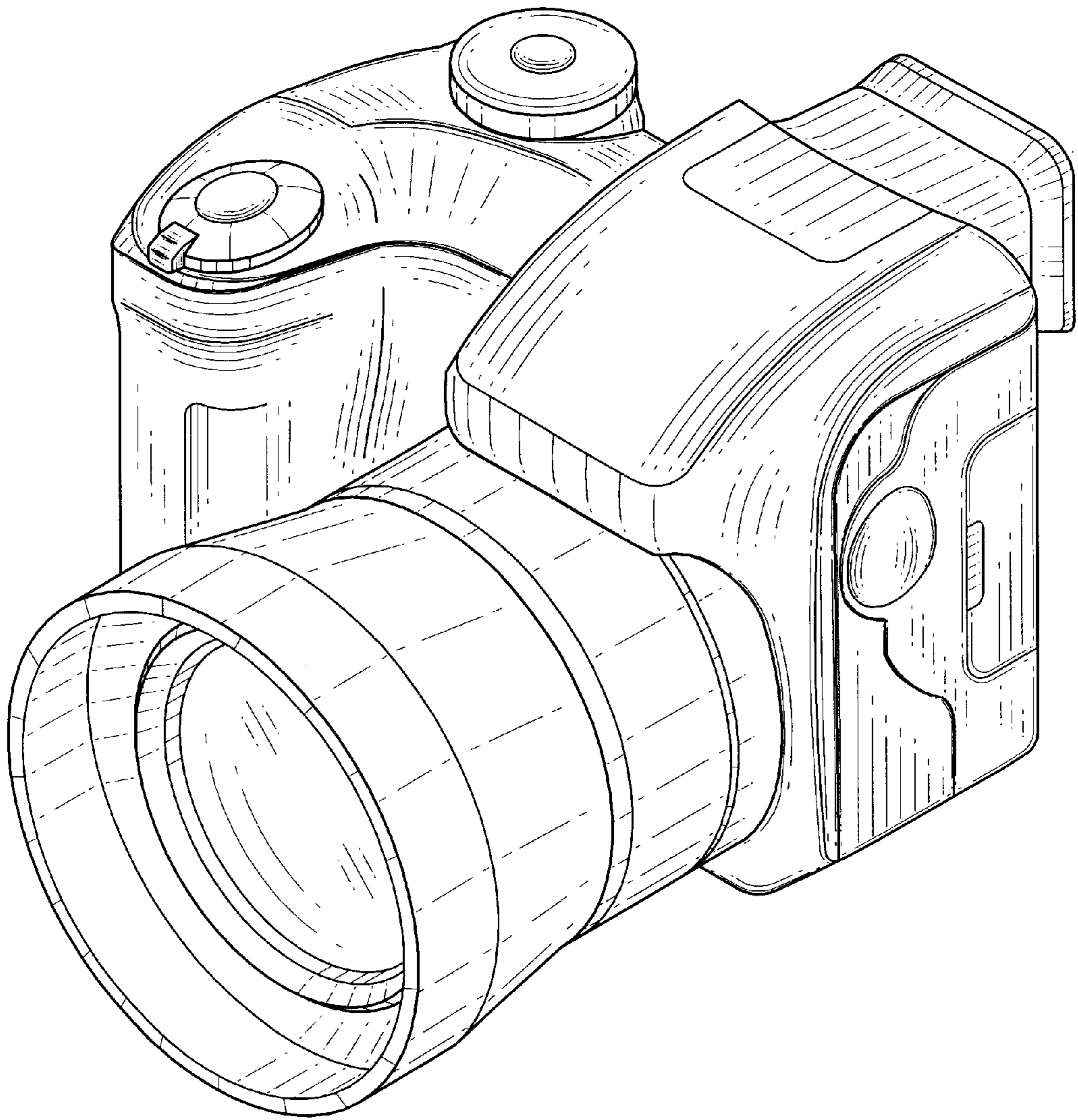


FIG. 12

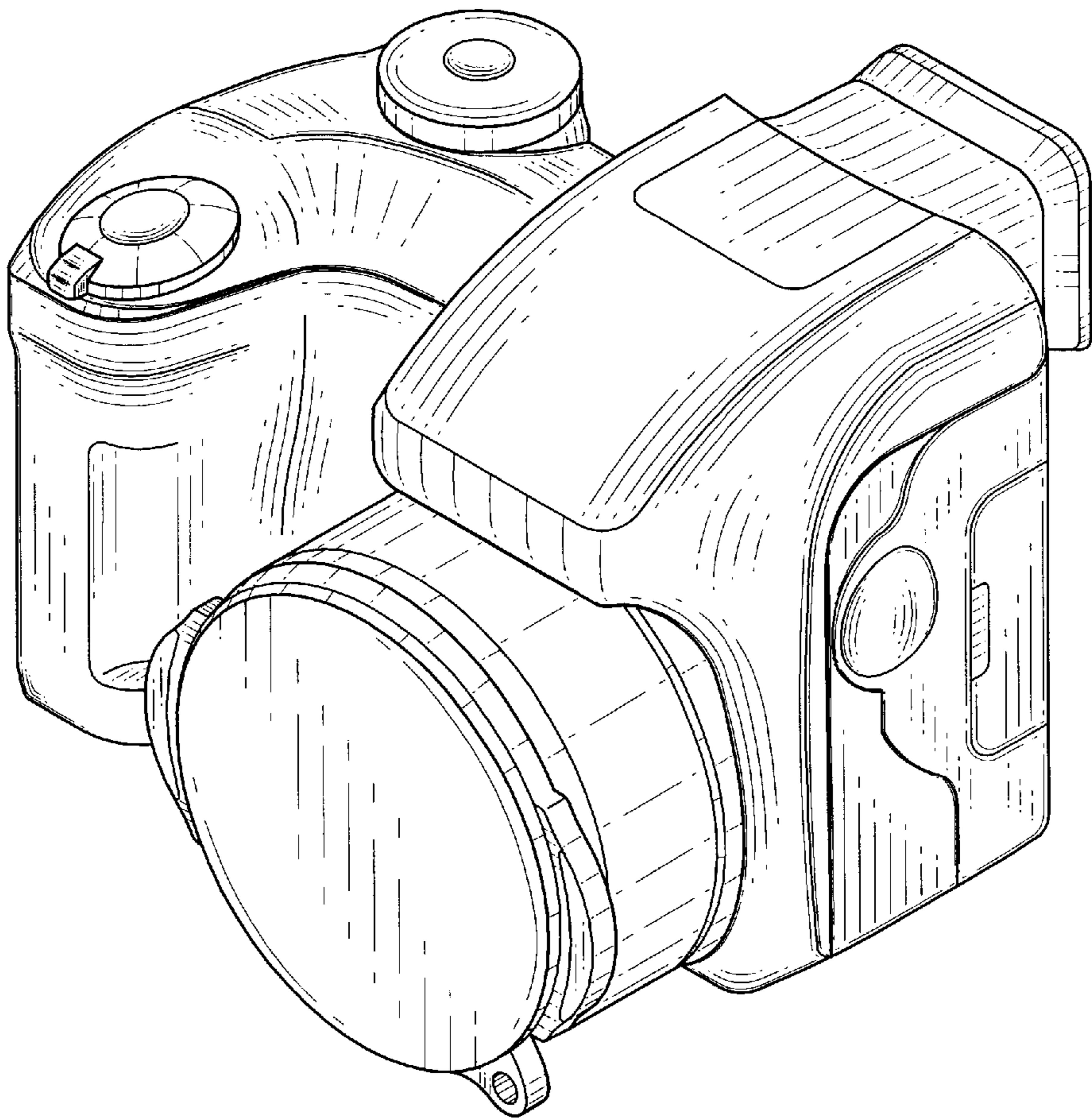




FIG. 13

