



US00D481051S

(12) **United States Design Patent**
Isozaki et al.

(10) **Patent No.:** **US D481,051 S**

(45) **Date of Patent:** **** Oct. 21, 2003**

(54) **CAMERA**

(75) Inventors: **Makoto Isozaki, Tokyo (JP); Yutaka Senda, Tokyo (JP)**

(73) Assignee: **Fuji Photo Film.Co., Ltd., Kanagawa (JP)**

(**) Term: **14 Years**

(21) Appl. No.: **29/169,899**

(22) Filed: **Oct. 29, 2002**

(30) **Foreign Application Priority Data**

Jul. 4, 2002 (JP) 2002-018029

(51) **LOC (7) Cl.** **16-01**

(52) **U.S. Cl.** **D16/202**

(58) **Field of Search** D16/200-206,
D16/208, 209, 218; 348/373-376; 358/906,
909.1; 396/535-541

(56) **References Cited**

U.S. PATENT DOCUMENTS

- D385,569 S * 10/1997 Takimura D16/202
- D388,449 S * 12/1997 Ohi et al. D16/202
- D407,098 S * 3/1999 Goto et al. D16/202

- D418,851 S * 1/2000 Goto et al. D16/202
- D431,583 S * 10/2000 Matsuda D16/202
- 6,434,337 B1 * 8/2002 Misawa 358/909.1

* cited by examiner

Primary Examiner—Adir Aronovich

(74) *Attorney, Agent, or Firm*—Young & Thompson

(57) **CLAIM**

The ornamental design for a camera, as shown and described.

DESCRIPTION

FIG. 1 is a top, front and side perspective view of a camera showing our new design;
 FIG. 2 is a front elevational view thereof;
 FIG. 3 is a rear elevational view thereof;
 FIG. 4 is a top plan view thereof;
 FIG. 5 is a bottom plan view thereof;
 FIG. 6 is a side elevational view thereof from the left of FIG. 2;
 FIG. 7 is a side elevational view thereof from the right of FIG. 2; and,
 FIG. 8 is a view similar to FIG. 1, but with the parts in a different position.

1 Claim, 4 Drawing Sheets

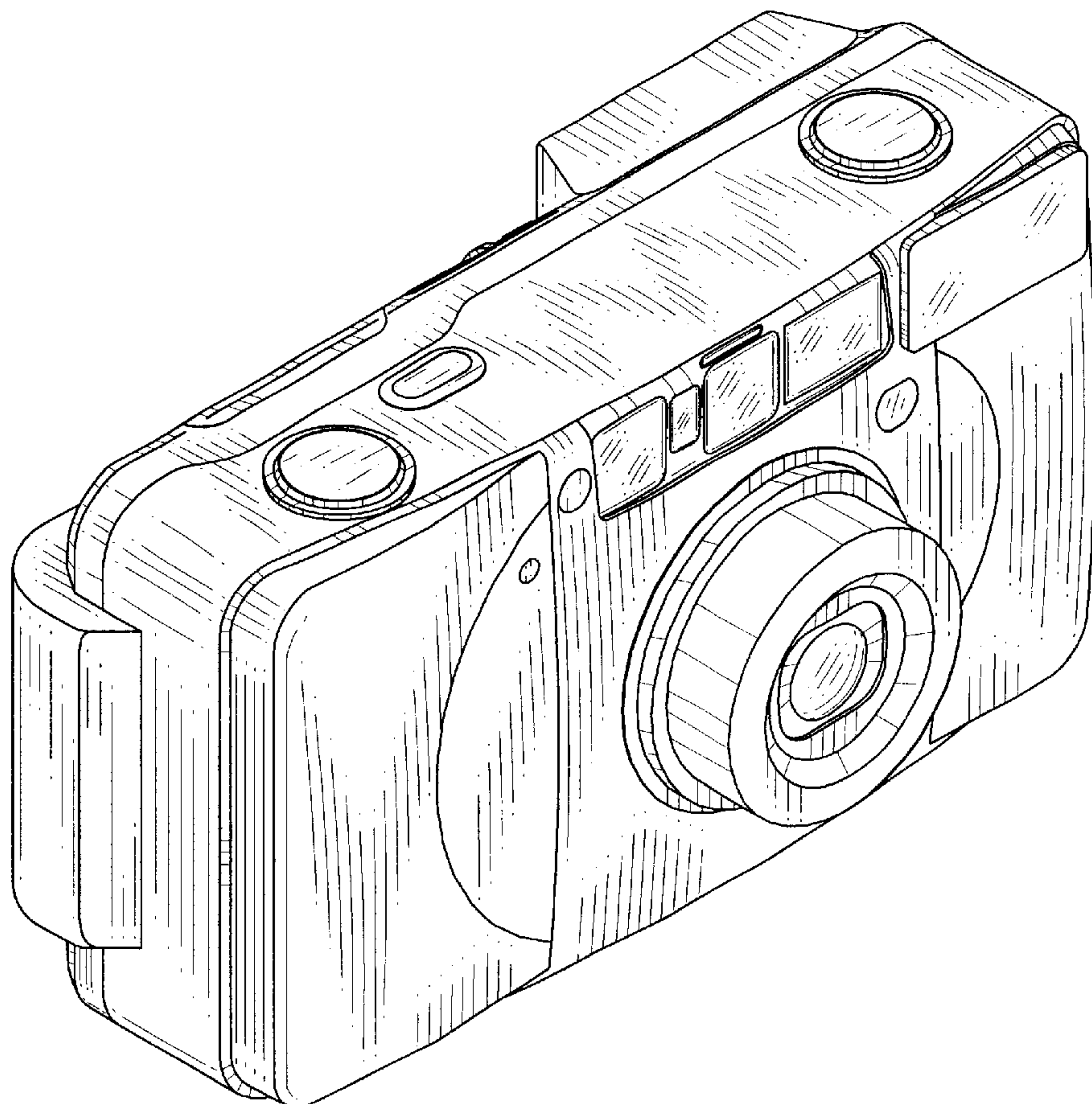


Fig. 1

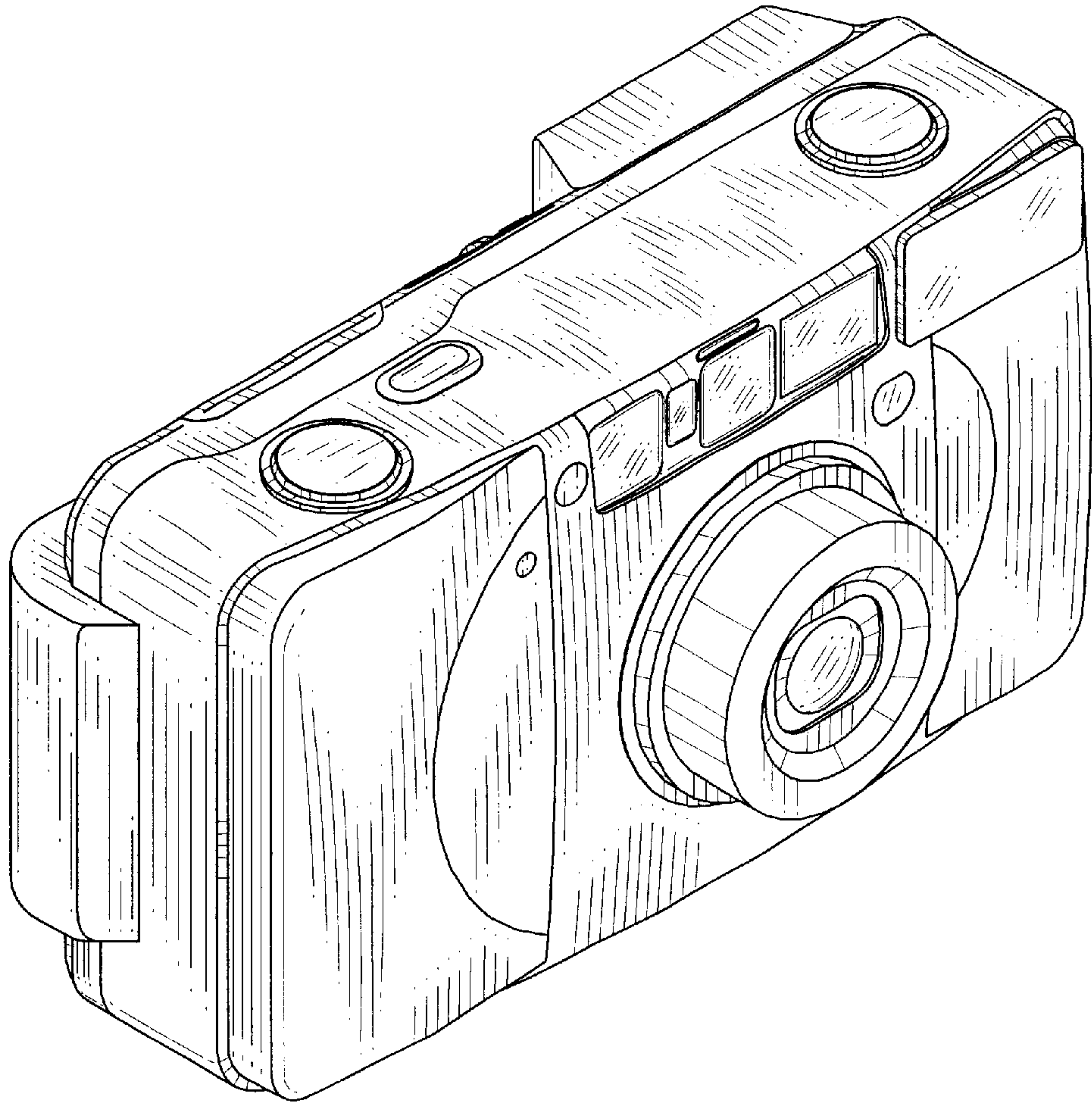


Fig. 2

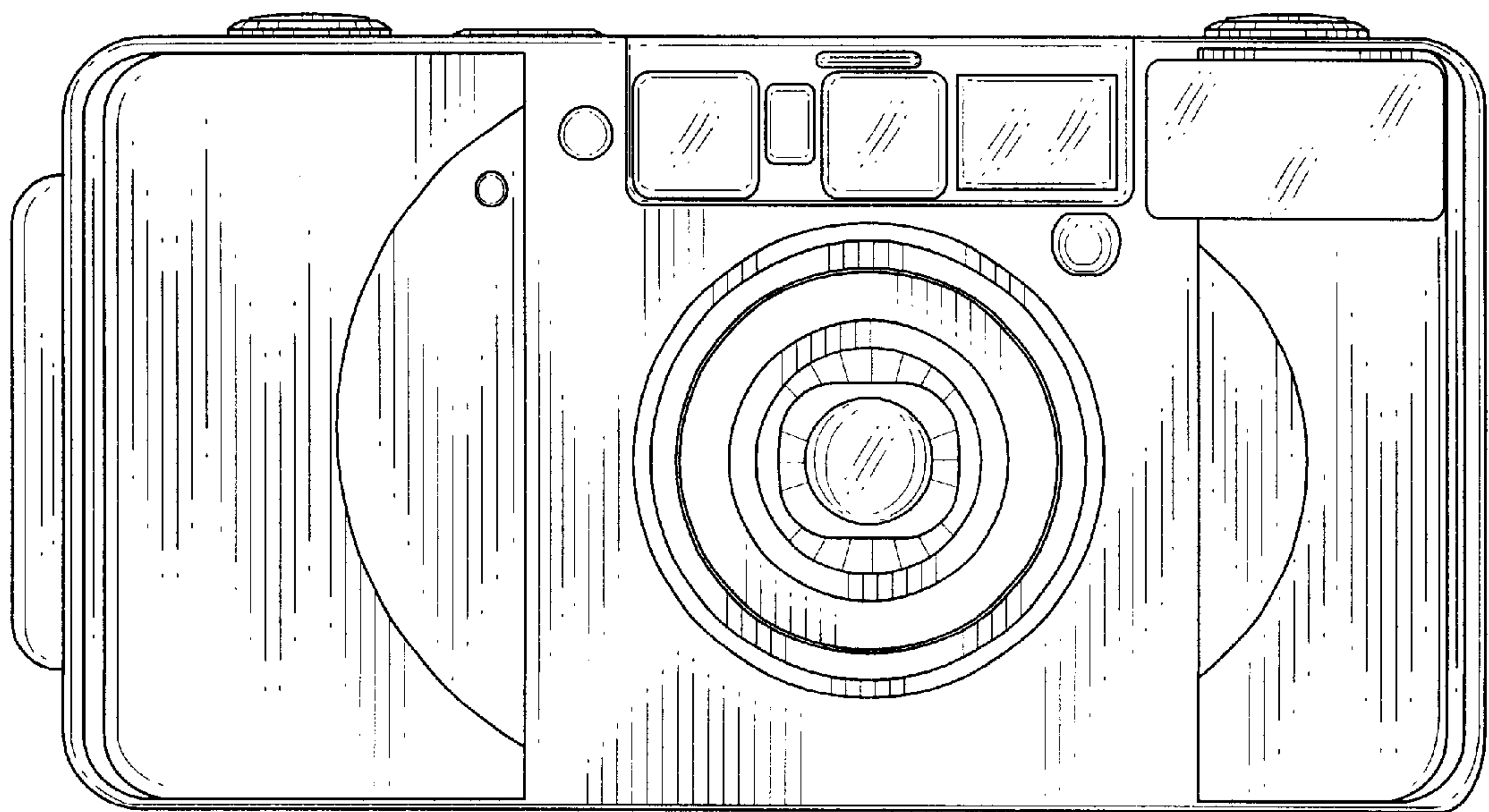


Fig. 3

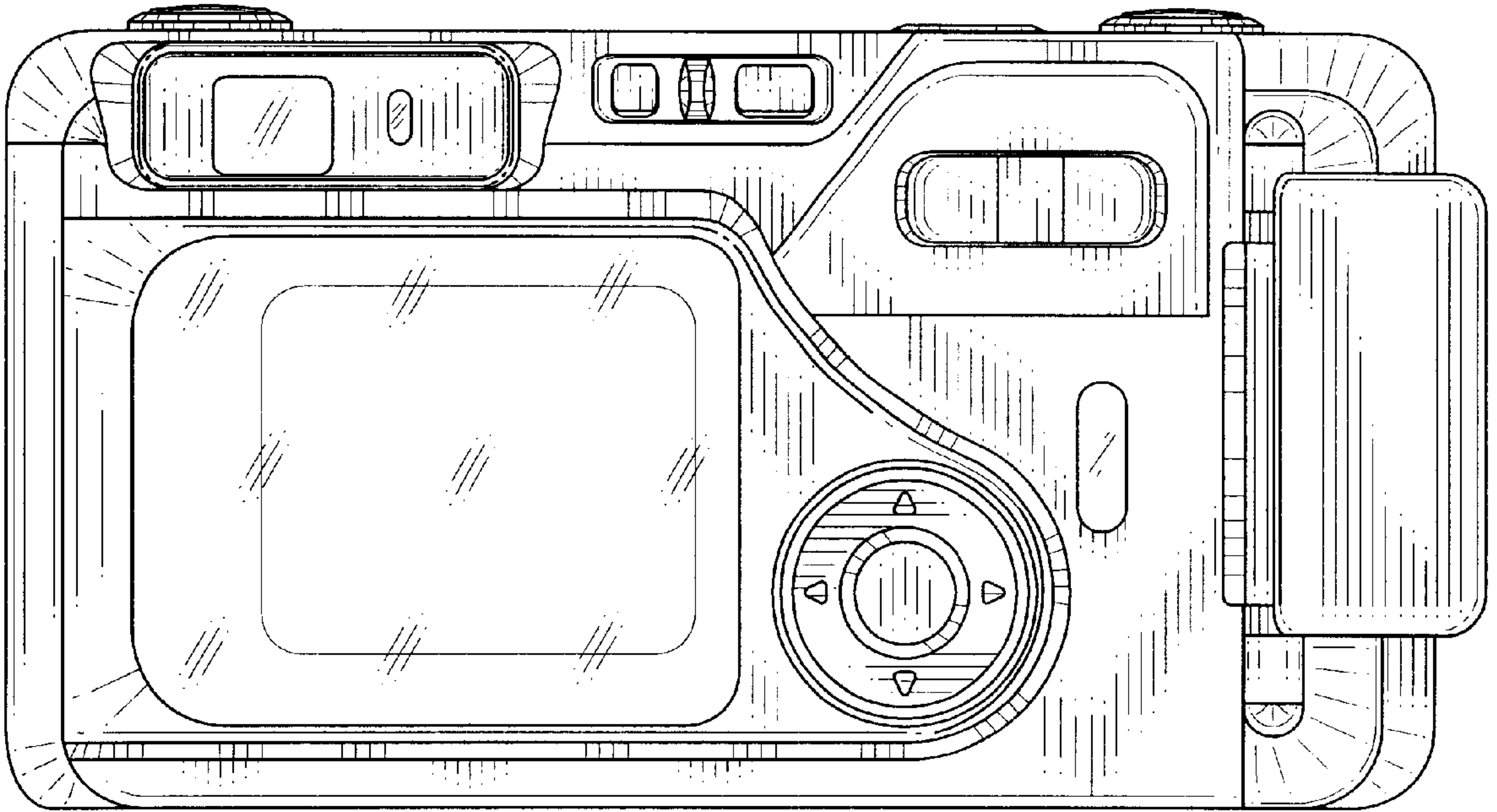


Fig. 4

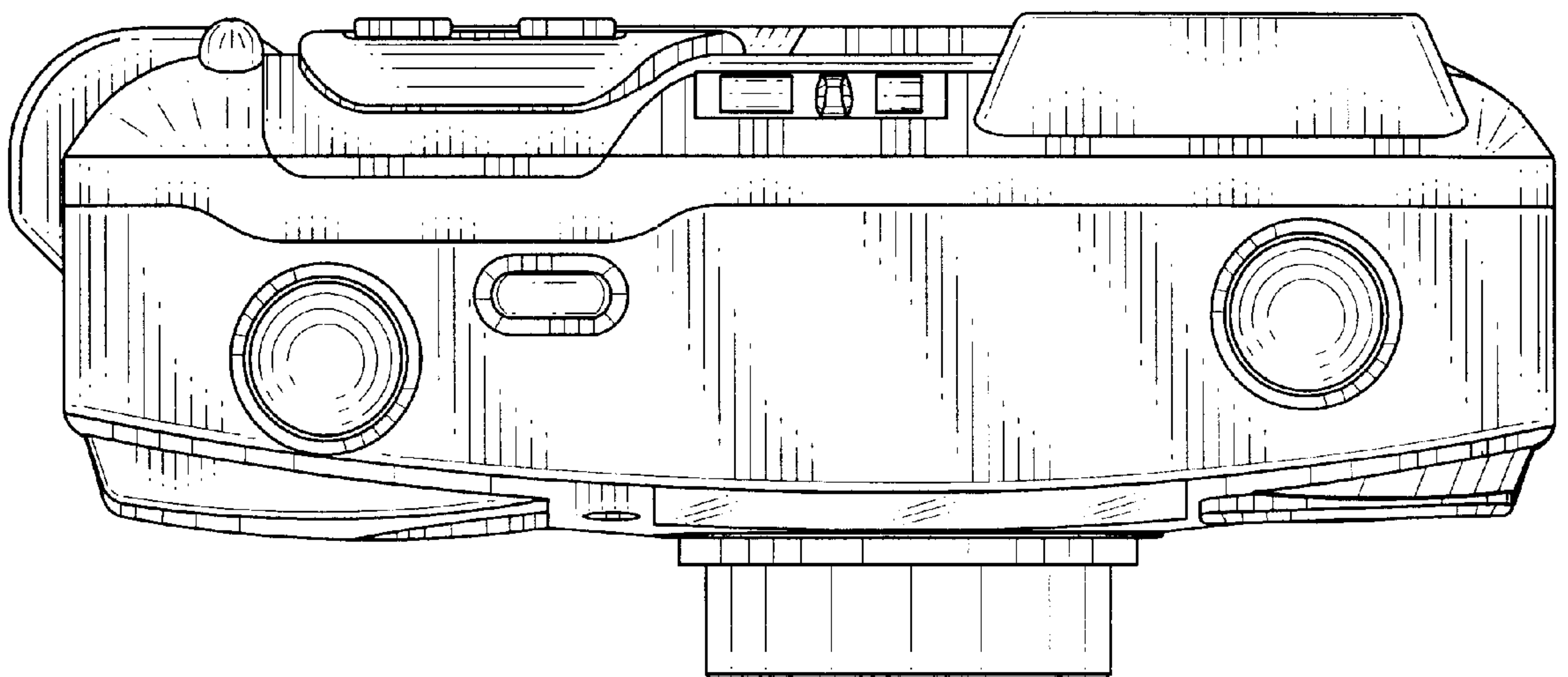


Fig. 5

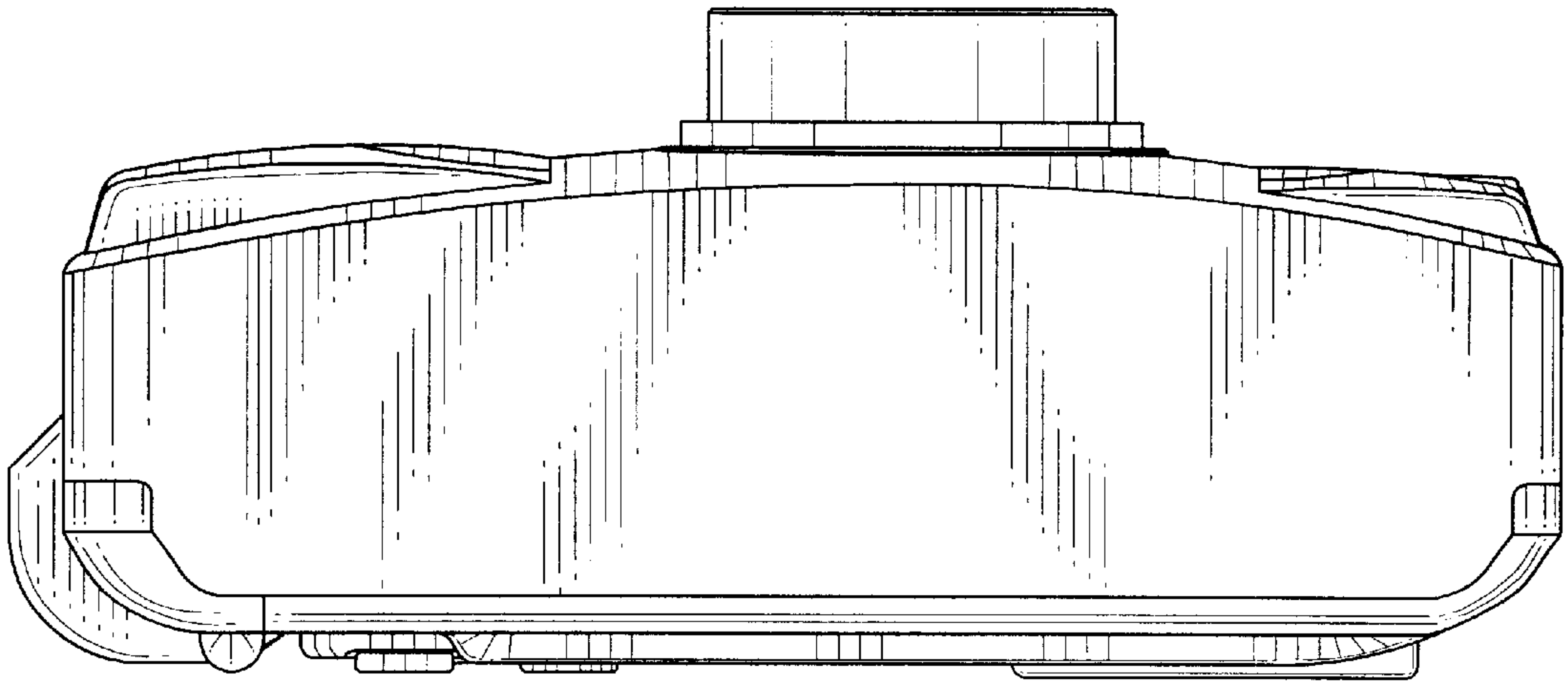


Fig. 6

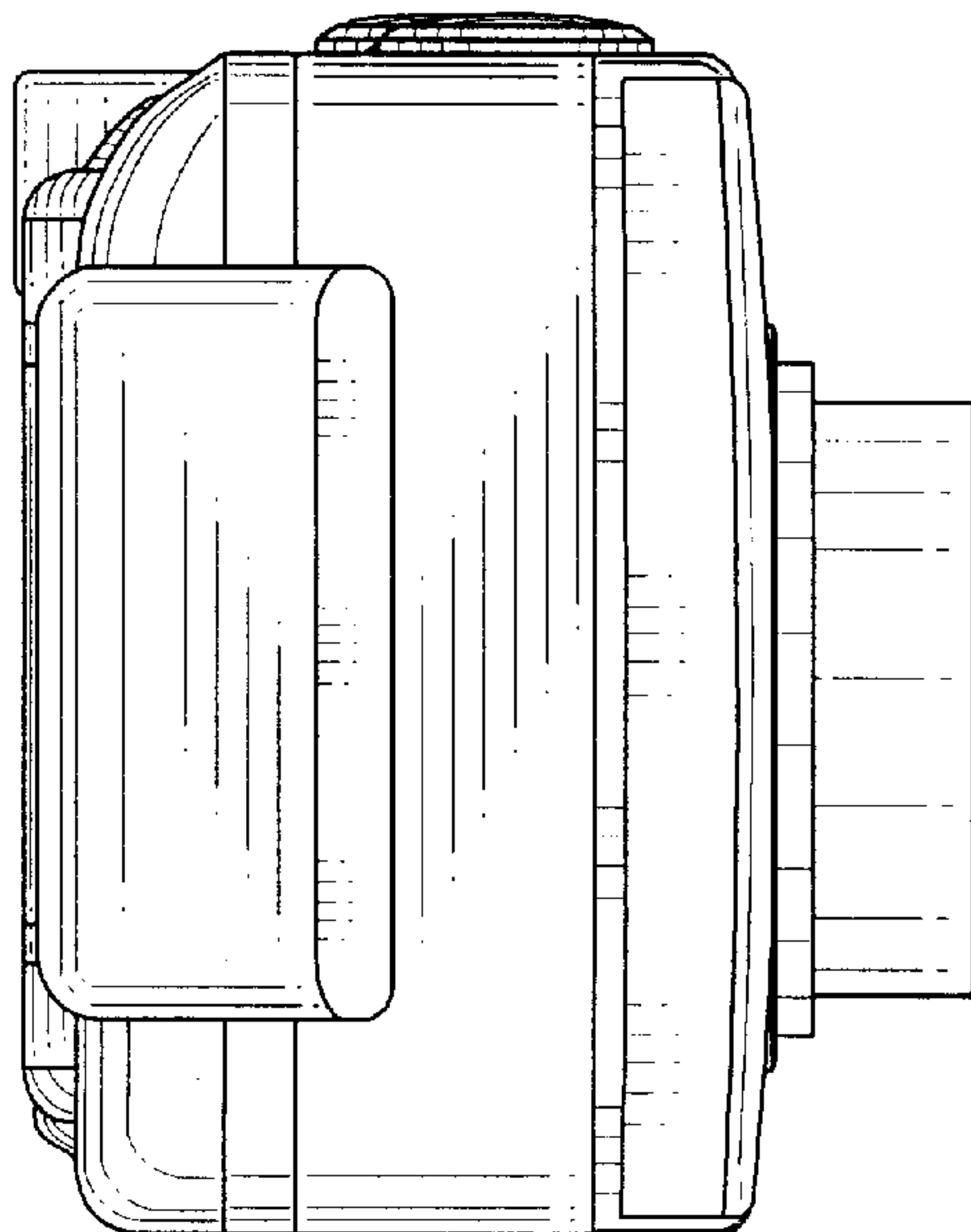


Fig. 7

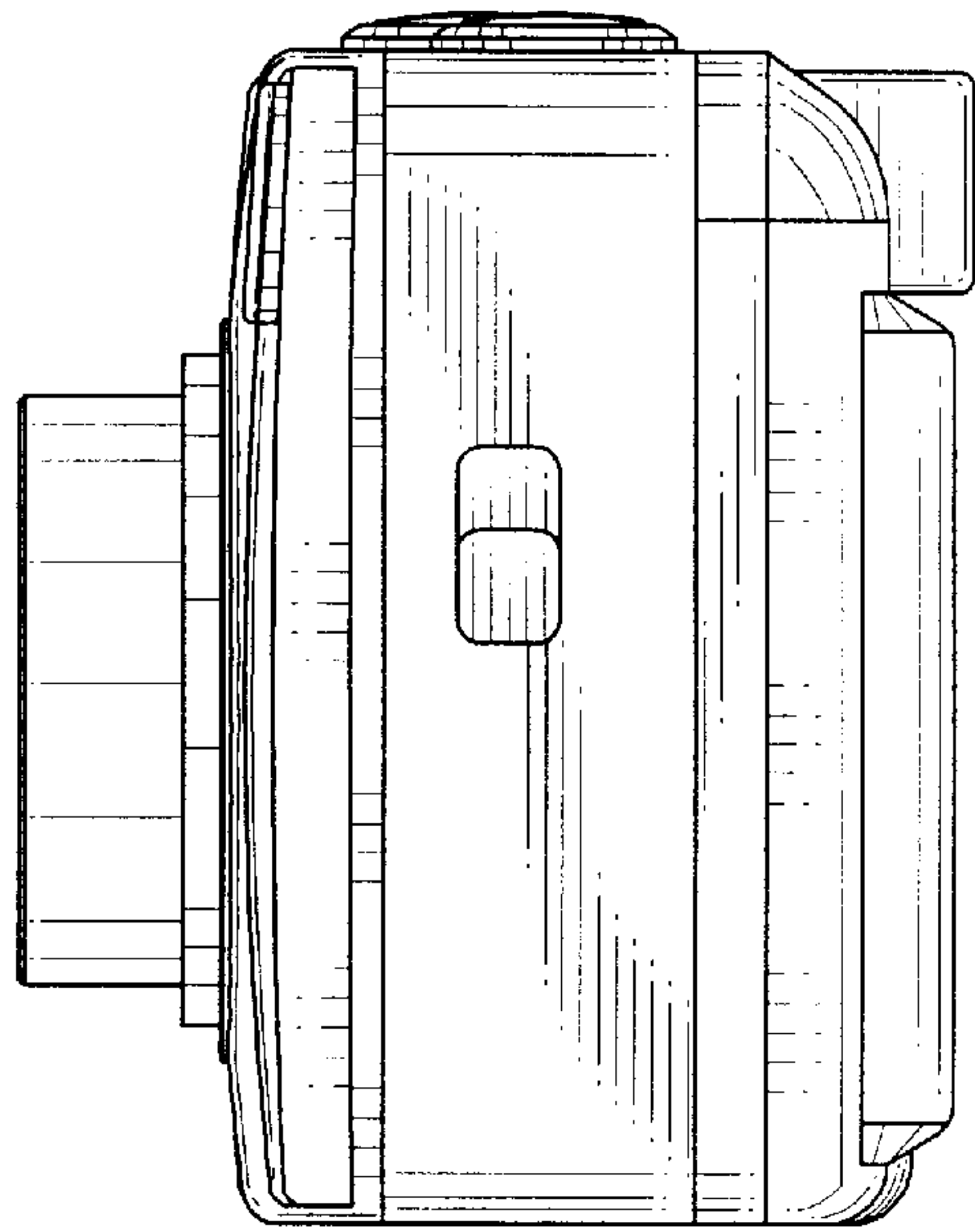


Fig. 8

