



US00D481037S

(12) **United States Design Patent**
Searby

(10) **Patent No.:** **US D481,037 S**

(45) **Date of Patent:** **** Oct. 21, 2003**

(54) **COMPUTER WORKSTATION**

D452,239 S * 12/2001 Kitayama et al. D14/349
D469,763 S * 2/2003 Searby D14/351

(75) Inventor: **Tom J Searby**, Fort Collins, CO (US)

* cited by examiner

(73) Assignee: **Hewlett-Packard Development Company, L.P.**, Houston, TX (US)

Primary Examiner—Freda Nunn

(**) Term: **14 Years**

(57) **CLAIM**

(21) Appl. No.: **29/165,680**

The ornamental design for a computer workstation, as shown and described.

(22) Filed: **Aug. 13, 2002**

DESCRIPTION

Related U.S. Application Data

(62) Division of application No. 29/141,640, filed on May 9, 2001, now Pat. No. Des. 469,763.

FIG. 1 is an isometric view of a computer workstation;

(51) **LOC (7) Cl.** **14-02**

FIG. 2 is a front elevation view thereof;

(52) **U.S. Cl.** **D14/349**

FIG. 3 is a rear elevation view thereof;

(58) **Field of Search** D14/349, 351-354,
D14/356, 363, 300, 301; D13/162, 184,
199; 312/223.1-223.3; 360/99.01-99.12;
361/690-696, 680-686; 369/34.01, 36.01

FIG. 4 is a left side elevation view thereof;

FIG. 5 is a right side elevation view thereof;

FIG. 6 is a top plan view thereof; and,

FIG. 7 is a bottom plan view thereof.

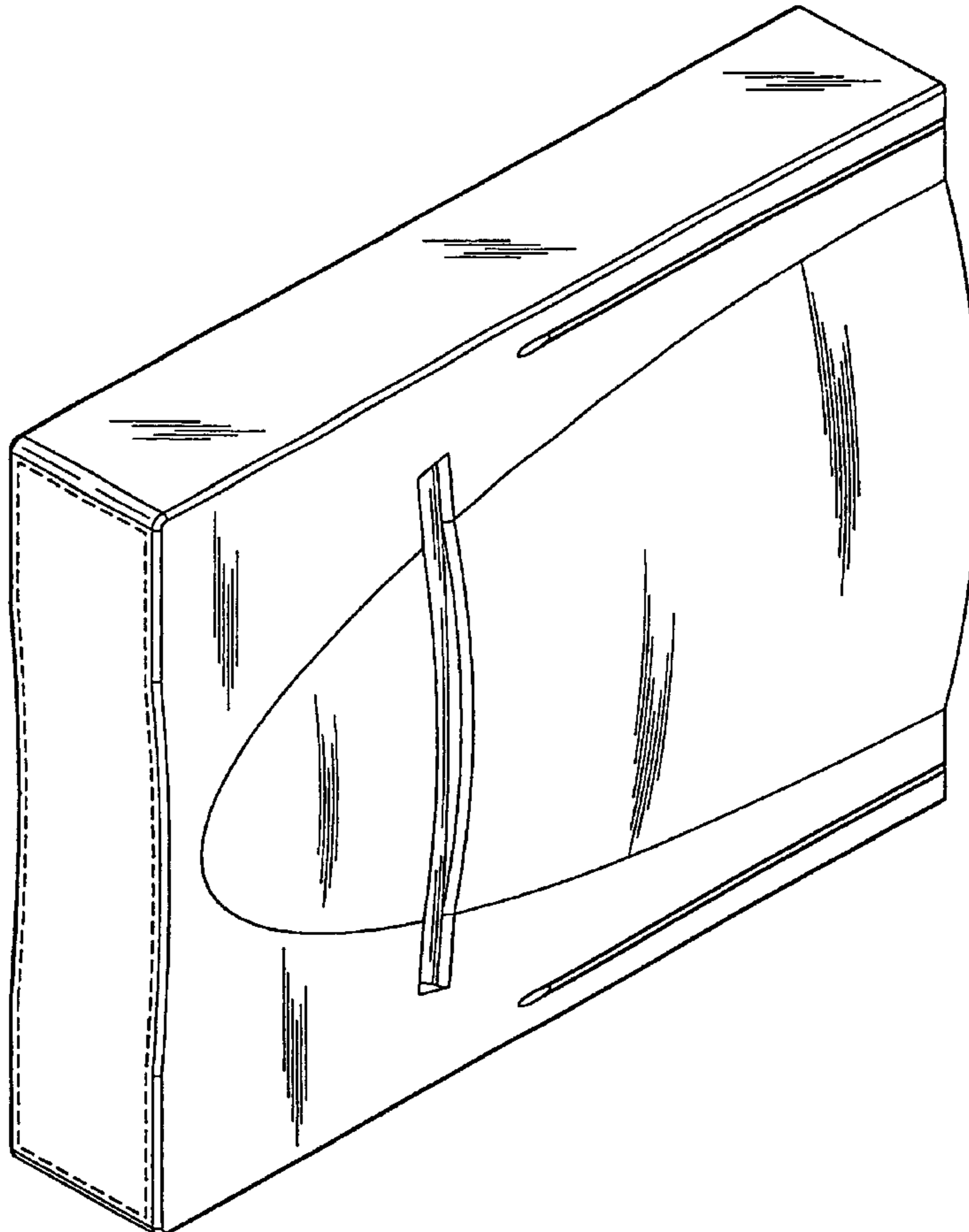
(56) **References Cited**

The broken lines are shown for illustrative purposes only and form no part of the claimed design.

U.S. PATENT DOCUMENTS

D428,005 S * 7/2000 Takizawa et al. D14/349

1 Claim, 7 Drawing Sheets



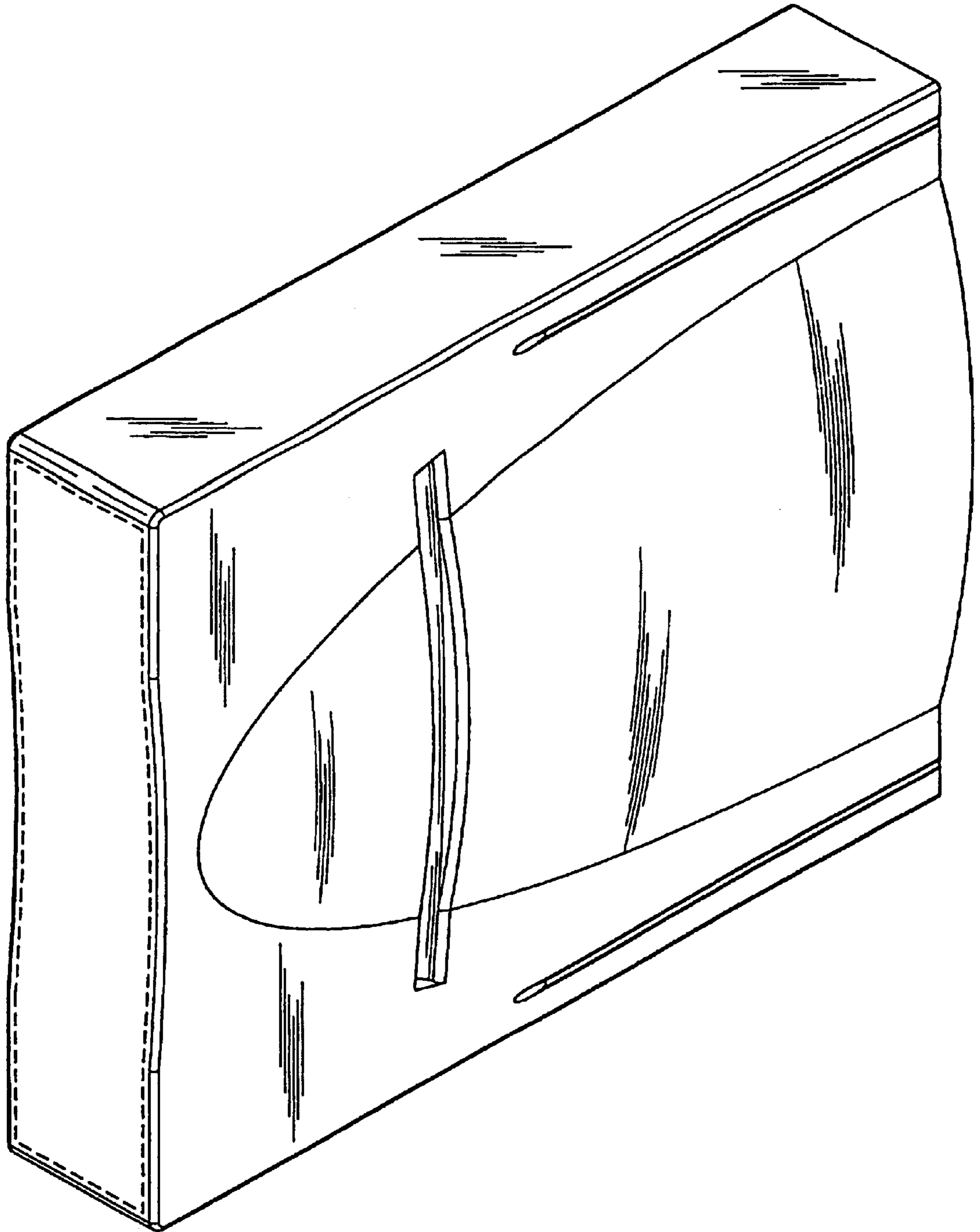


FIG. 1

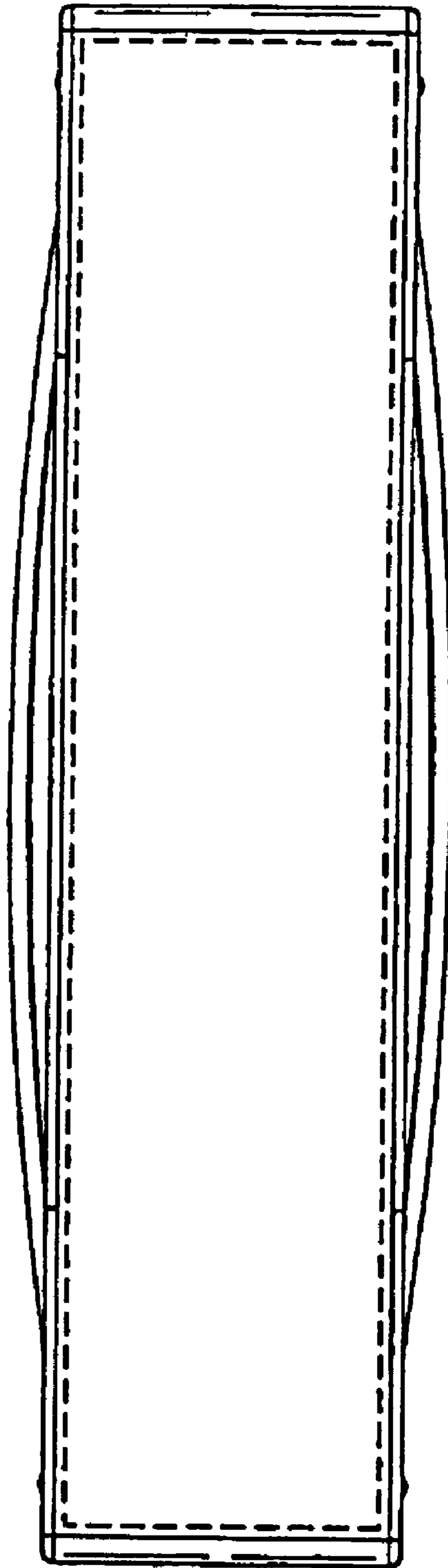


FIG. 2

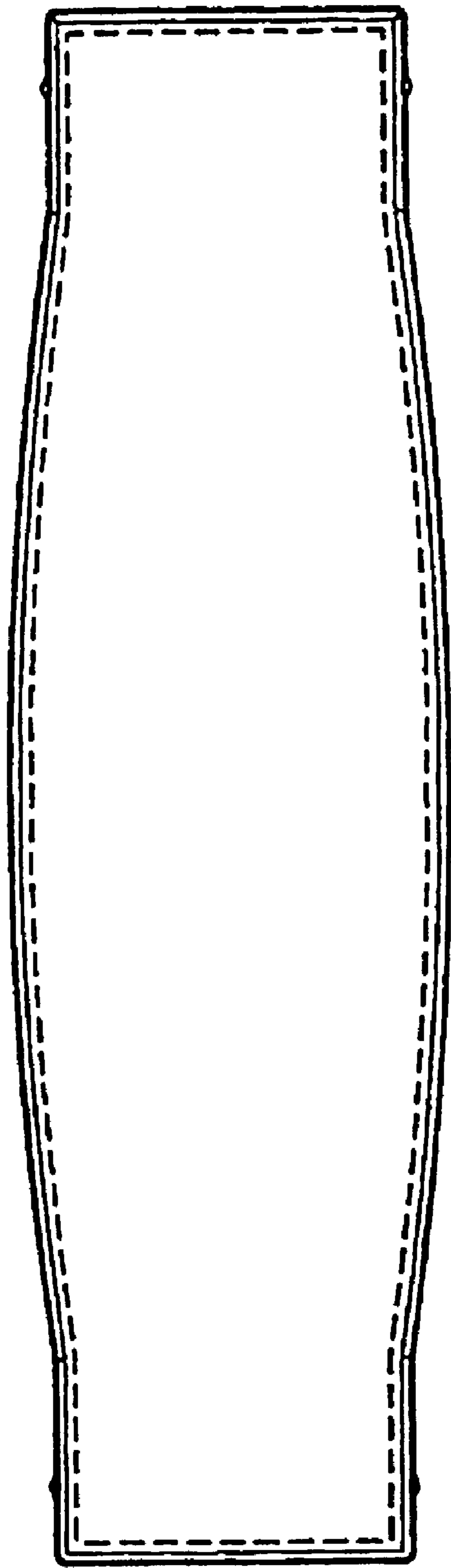


FIG. 3

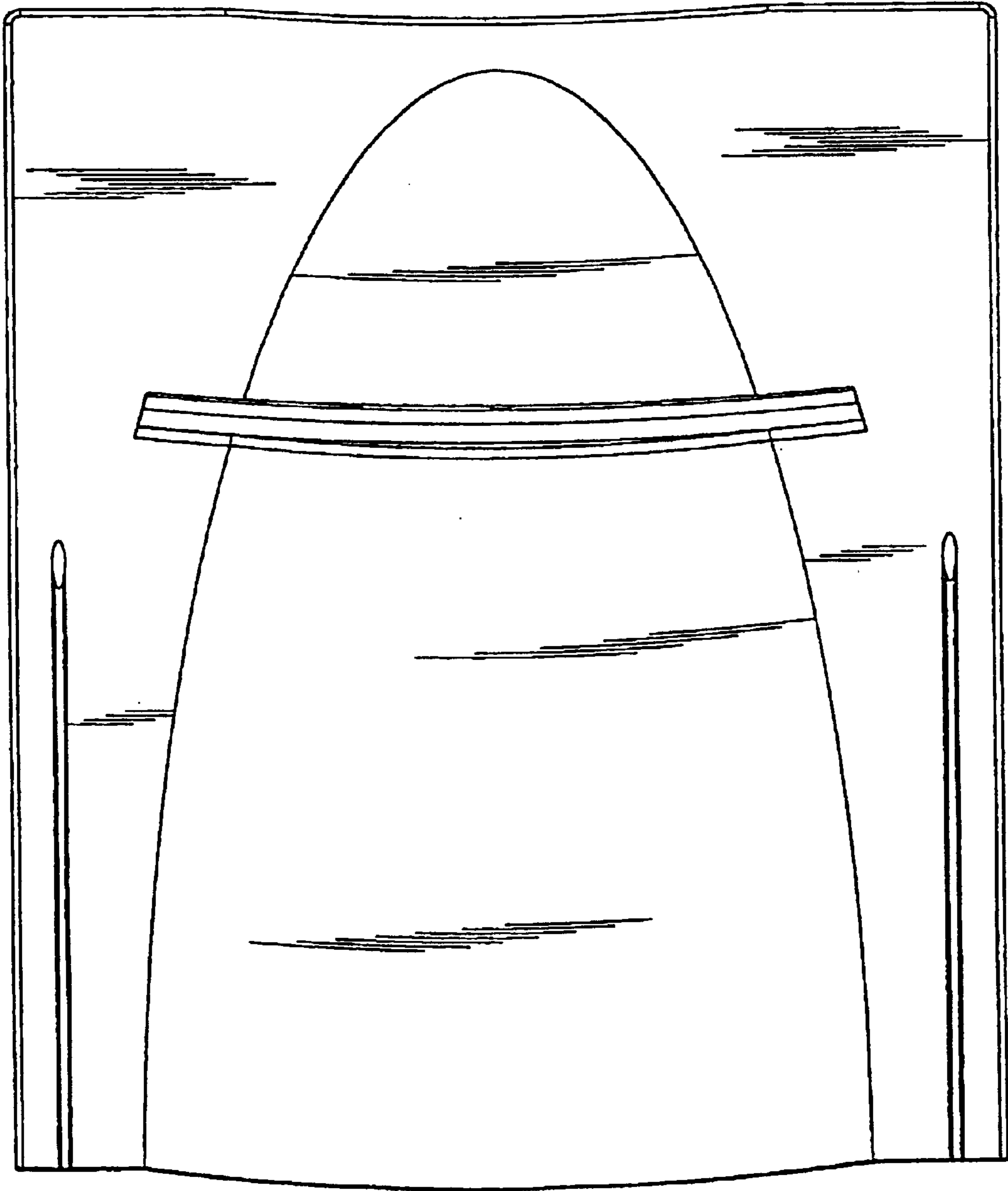


FIG. 4

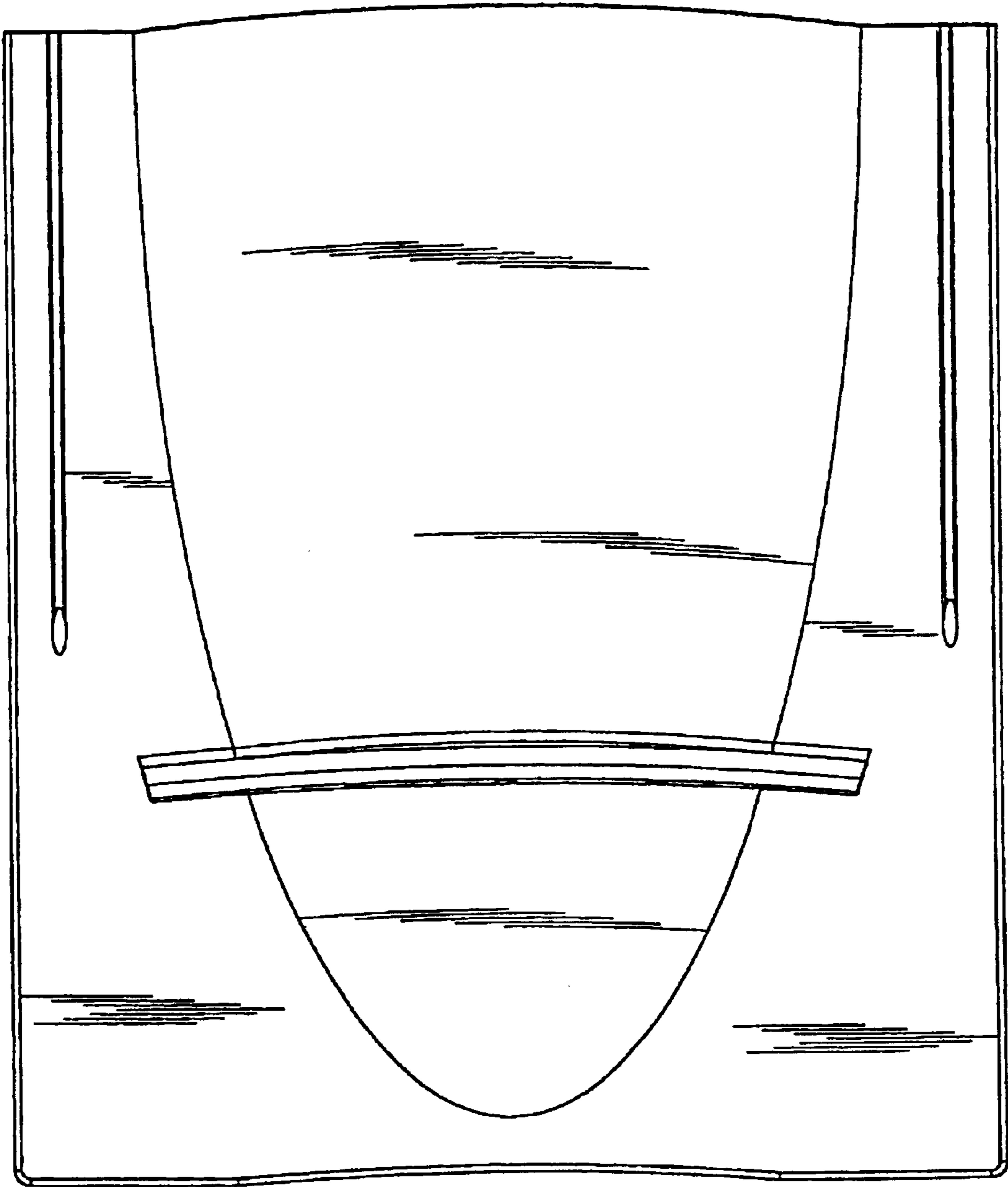


FIG. 5

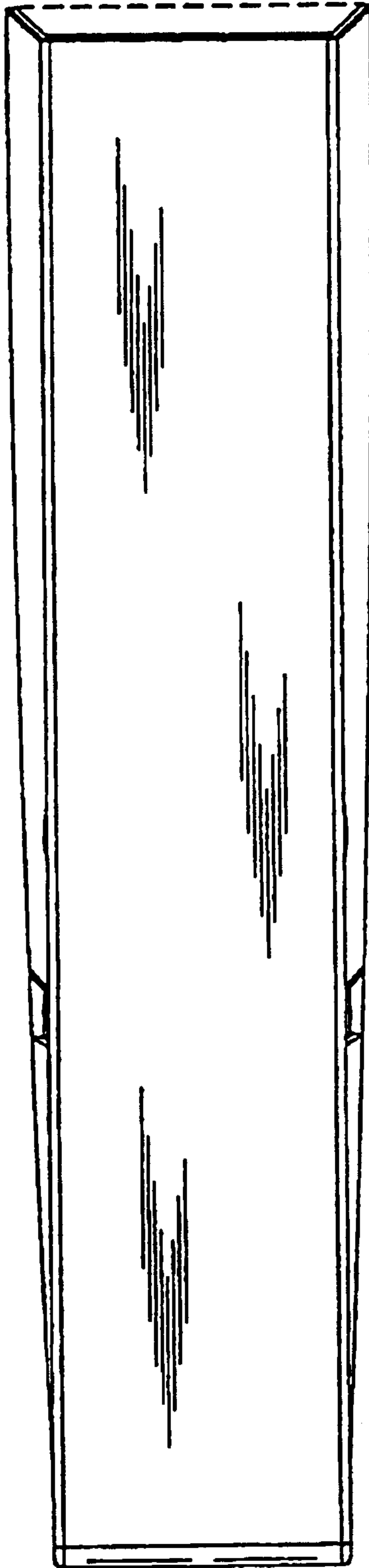


FIG. 6

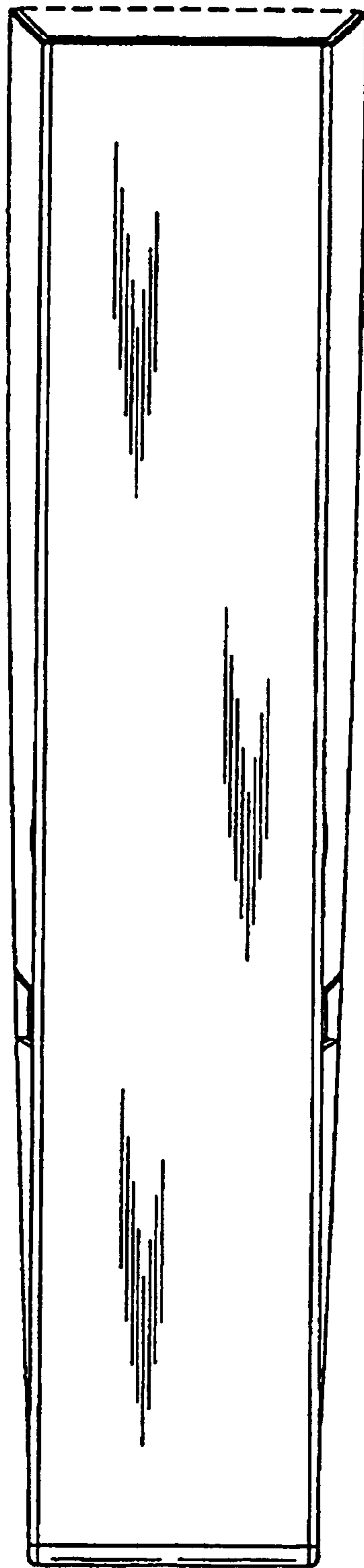


FIG. 7