



US00D481034S

(12) **United States Design Patent**
Okano et al.

(10) **Patent No.:** **US D481,034 S**

(45) **Date of Patent:** **** Oct. 21, 2003**

(54) **OPTICAL DISK RECORDING
REPRODUCTION APPARATUS**

D433,676 S * 11/2000 Yamada et al. D14/239
6,349,084 B1 * 2/2002 Ariyoshi 369/263

(75) Inventors: **Yoshihiro Okano**, Tokyo (JP);
Hisataka Usui, Tokyo (JP)

* cited by examiner

Primary Examiner—Nanda Bondade

(73) Assignee: **Mitsumi Electric Co., Ltd.**, Tokyo (JP)

(74) *Attorney, Agent, or Firm*—Sughrue Mion, PLLC

(**) Term: **14 Years**

(57) **CLAIM**

(21) Appl. No.: **29/155,870**

The ornamental design for an optical disk recording repro-
duction apparatus, as shown and described.

(22) Filed: **Feb. 21, 2002**

DESCRIPTION

(30) **Foreign Application Priority Data**

Aug. 21, 2001 (JP) 2001-024440

FIG. 1 is a perspective view of the top, front, and right side
of an optical disk recording reproduction apparatus showing
our new design;

(51) **LOC (7) Cl.** **14-01**

FIG. 2 is a perspective view of the bottom, rear, and left side
thereof;

(52) **U.S. Cl.** **D14/260.1**

FIG. 3 is a front elevational view thereof;

(58) **Field of Search** D14/156, 217,
D14/239, 260, 260.1, 262, 299; 360/104-105,
114; 369/244-247, 263-264, 266

FIG. 4 is a rear elevational view thereof;

FIG. 5 is a right side elevational view thereof;

FIG. 6 is a left side elevational view thereof;

(56) **References Cited**

U.S. PATENT DOCUMENTS

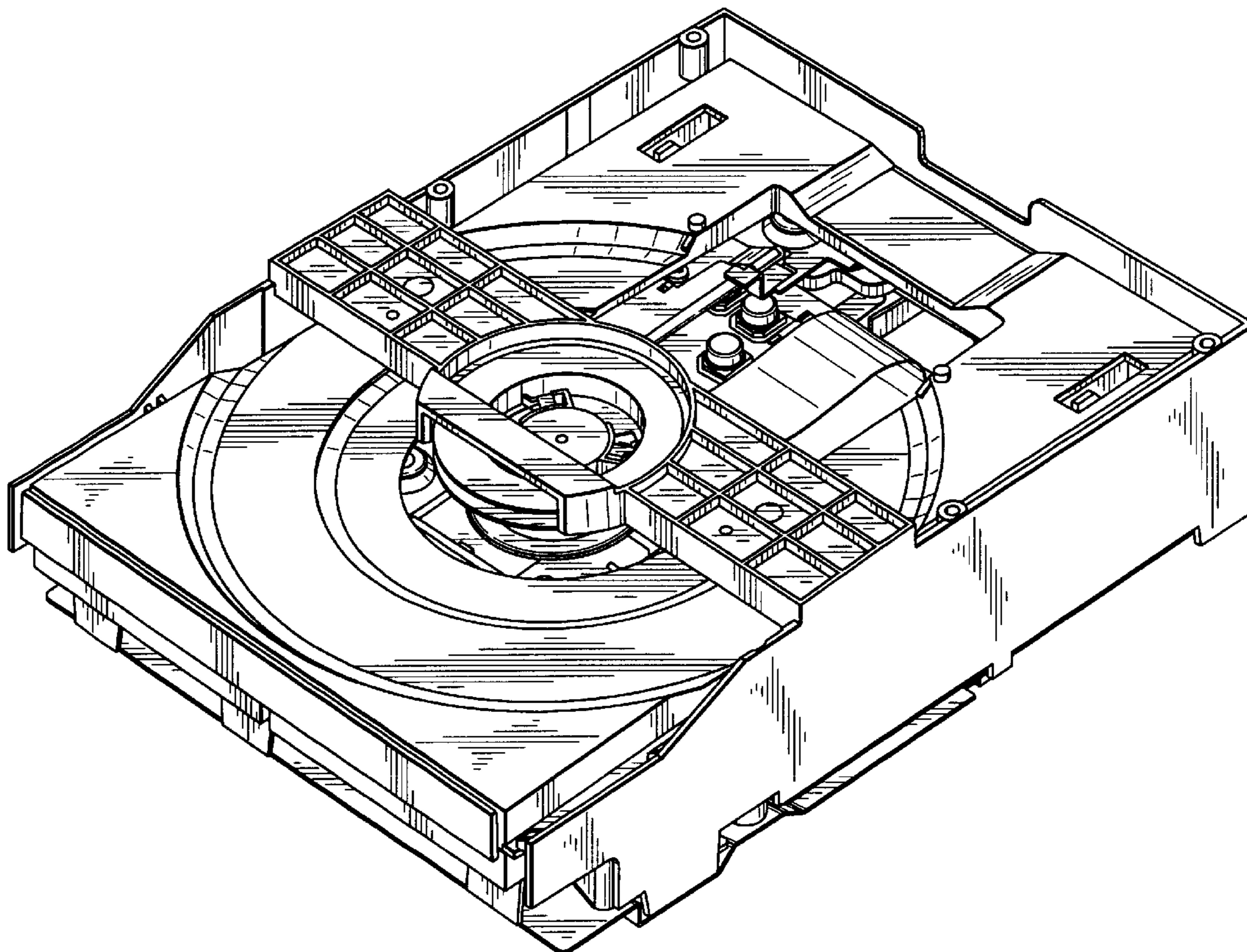
D367,278 S * 2/1996 Moriwaki et al. D14/260.1
D389,150 S * 1/1998 Tanaka D14/156

FIG. 7 is a top plan view thereof;

FIG. 8 is a bottom plan view thereof; and,

FIG. 9 is a view similar to FIG. 1 with the drawer extended.

1 Claim, 7 Drawing Sheets



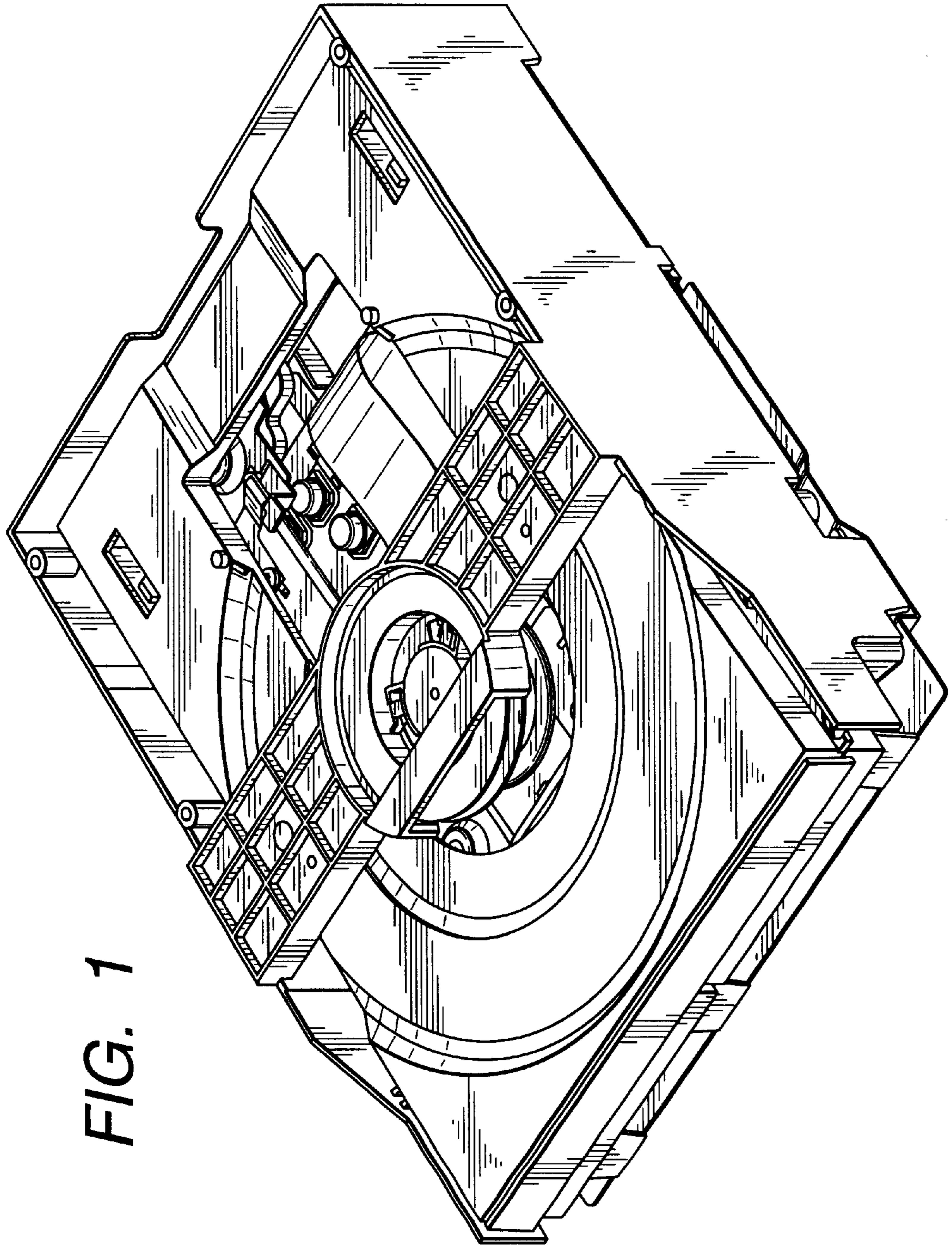


FIG. 1

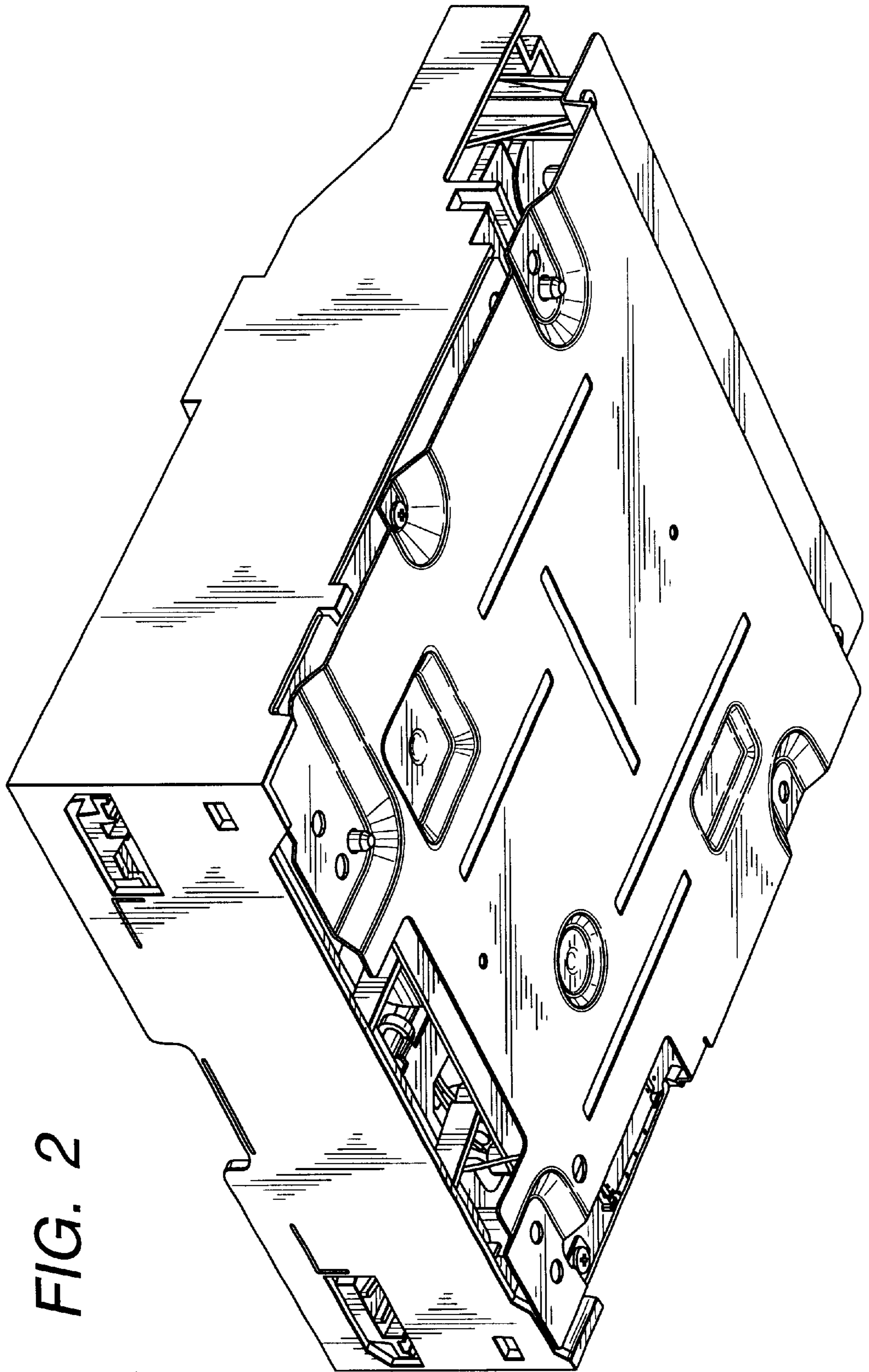


FIG. 2

FIG. 3

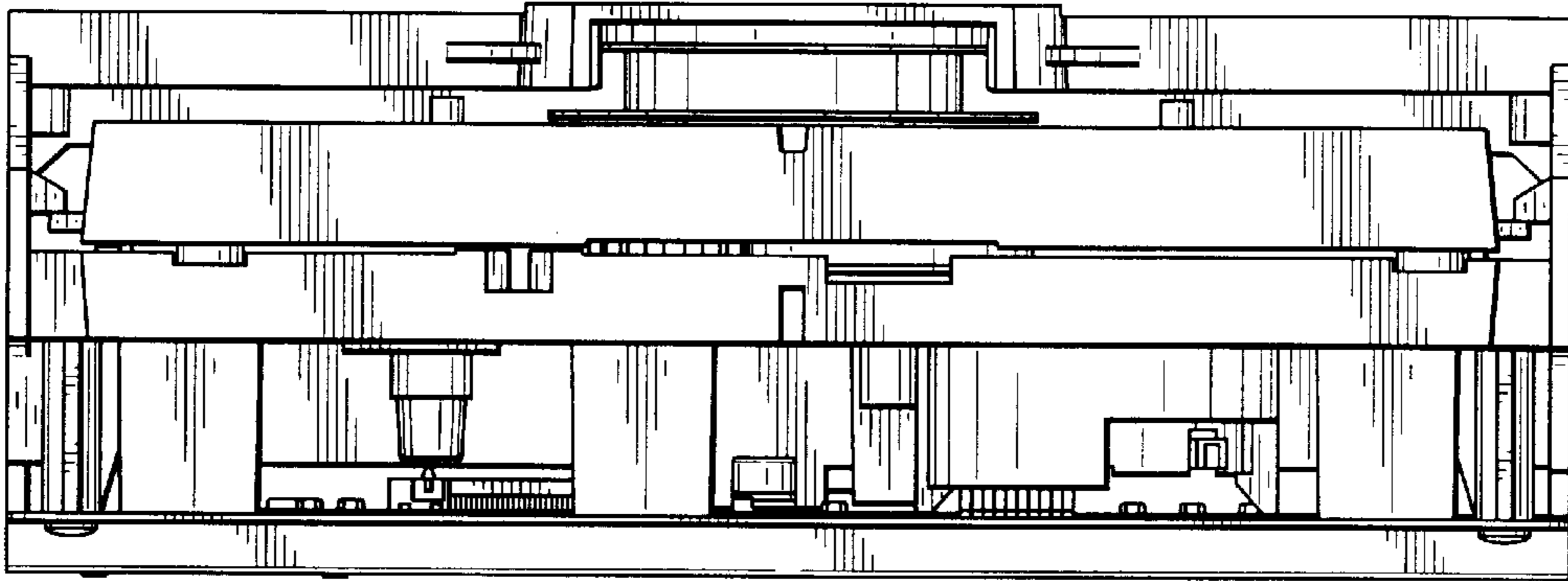


FIG. 4

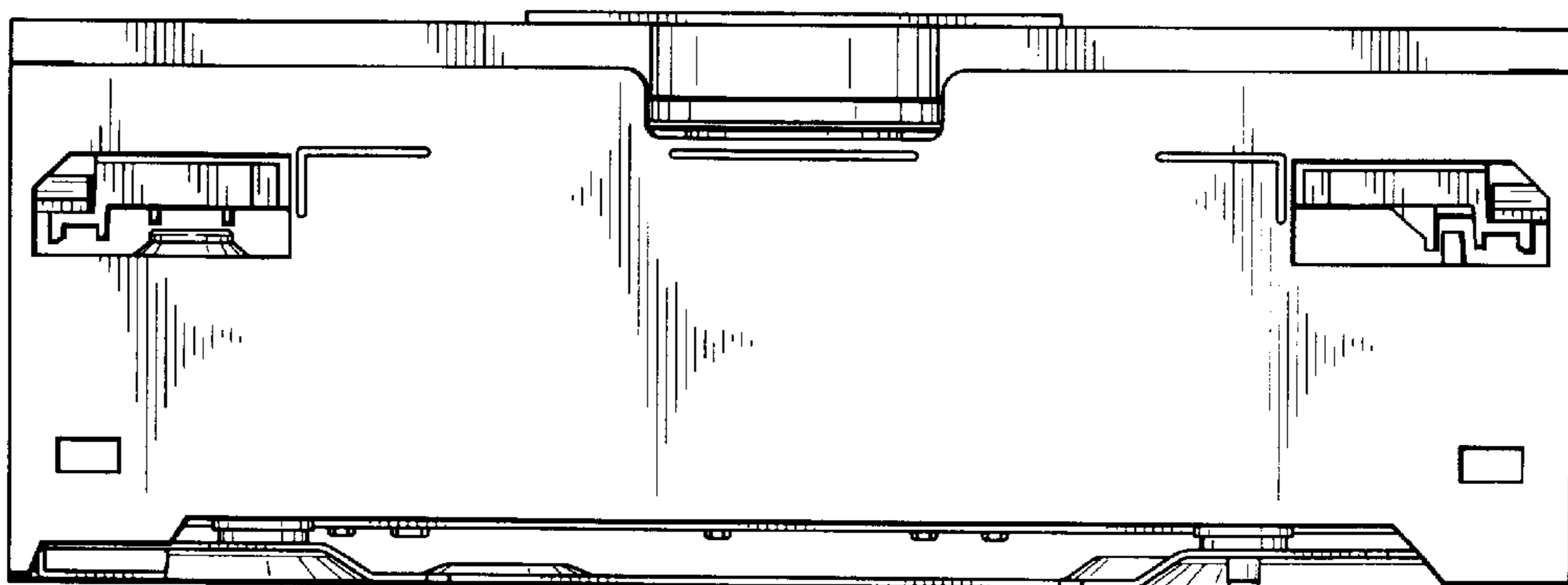


FIG. 5

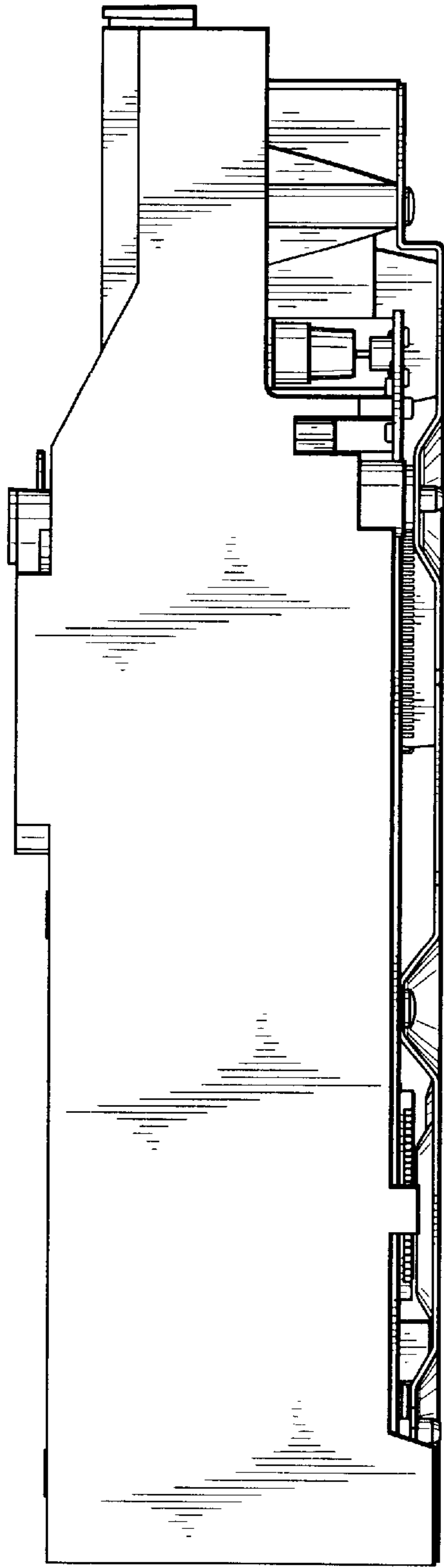


FIG. 6

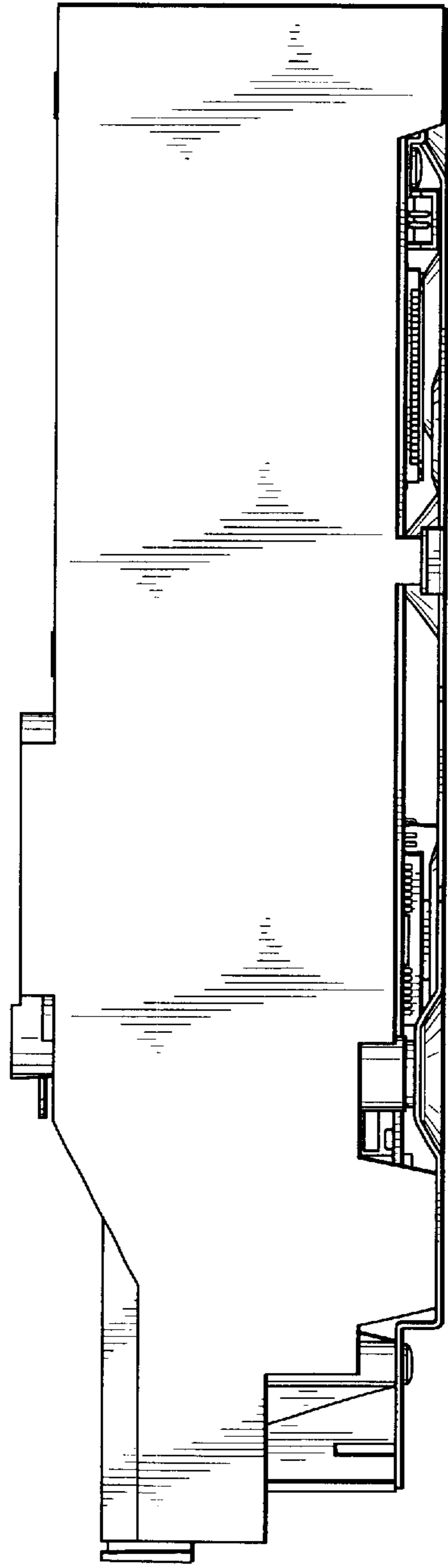


FIG. 7

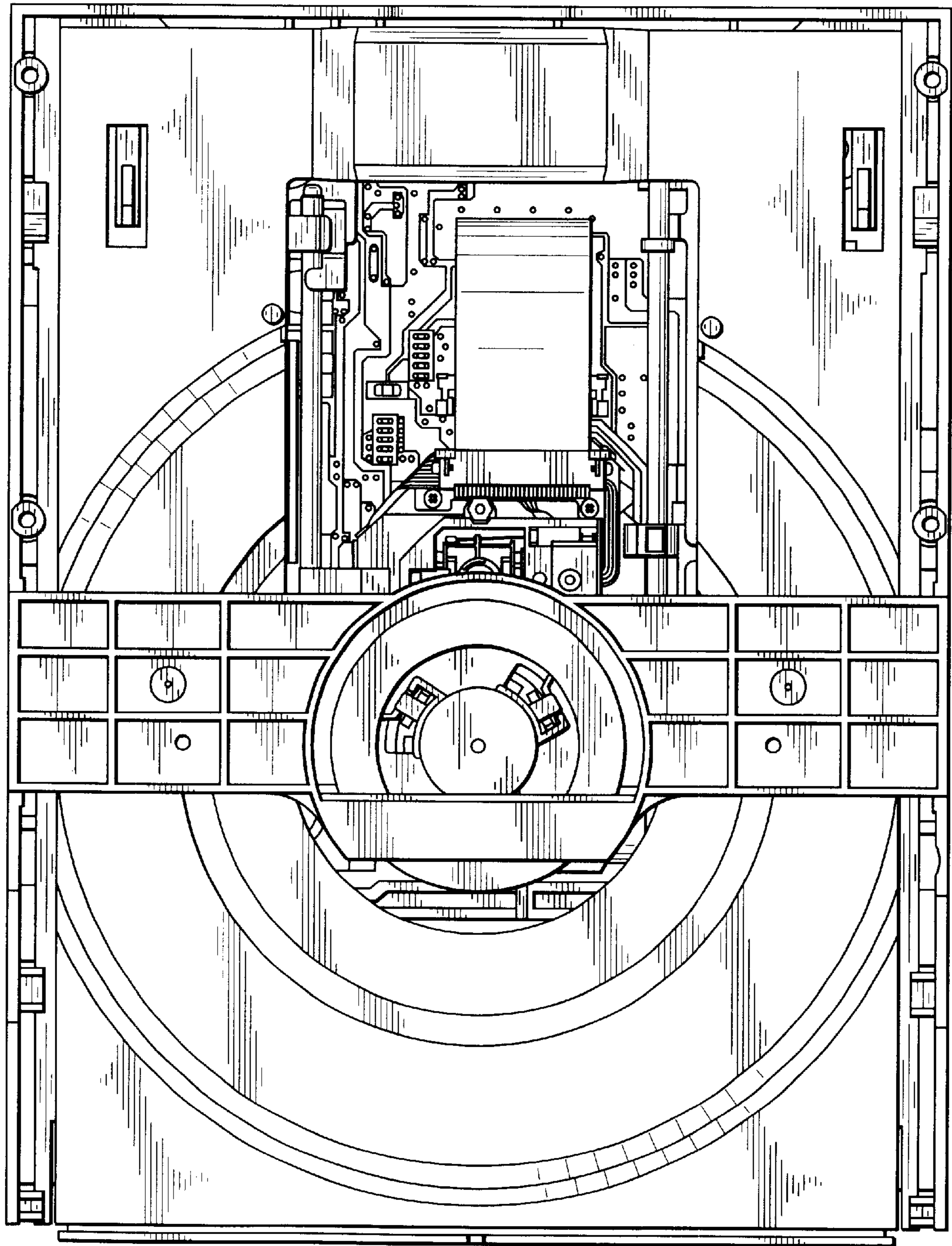
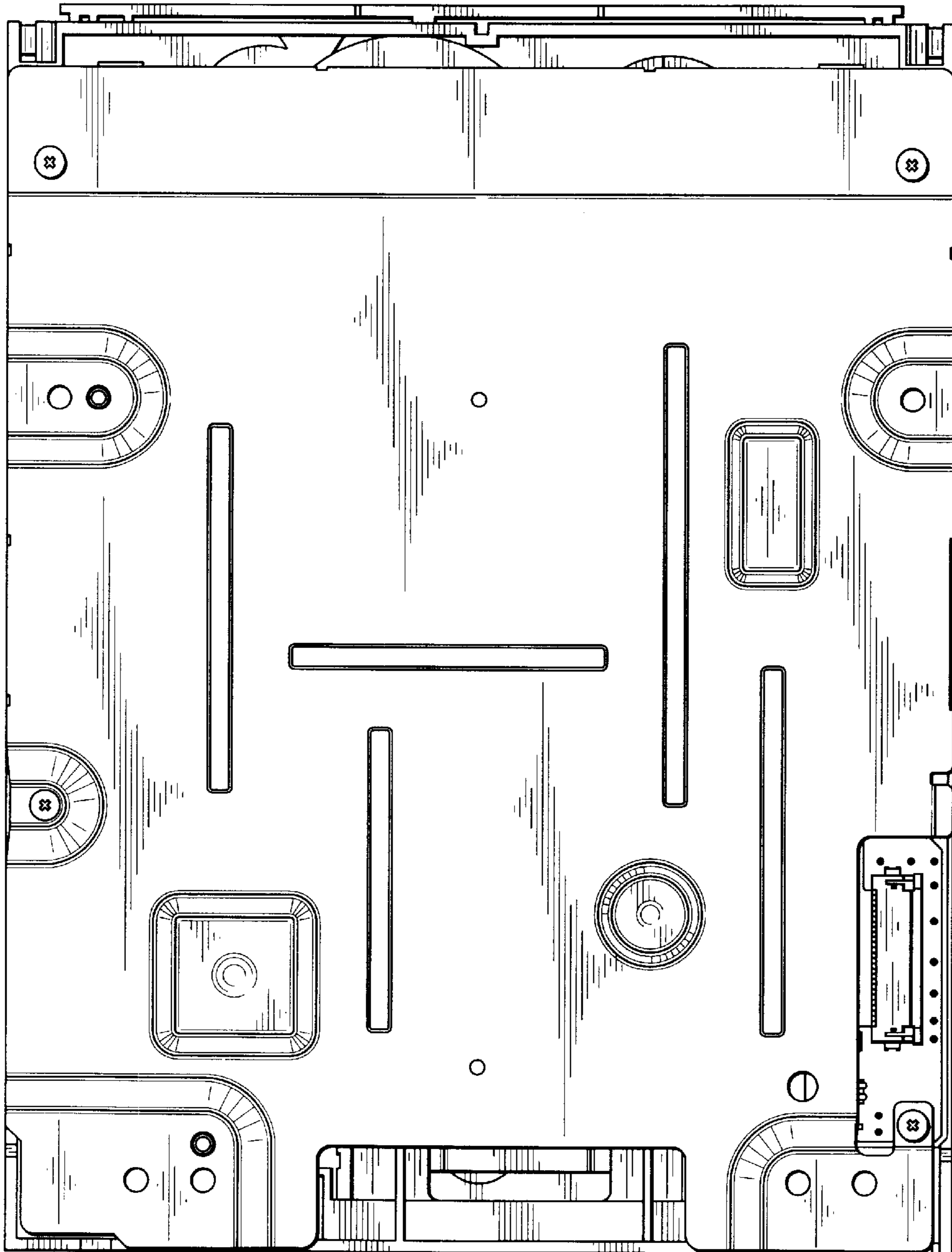


FIG. 8



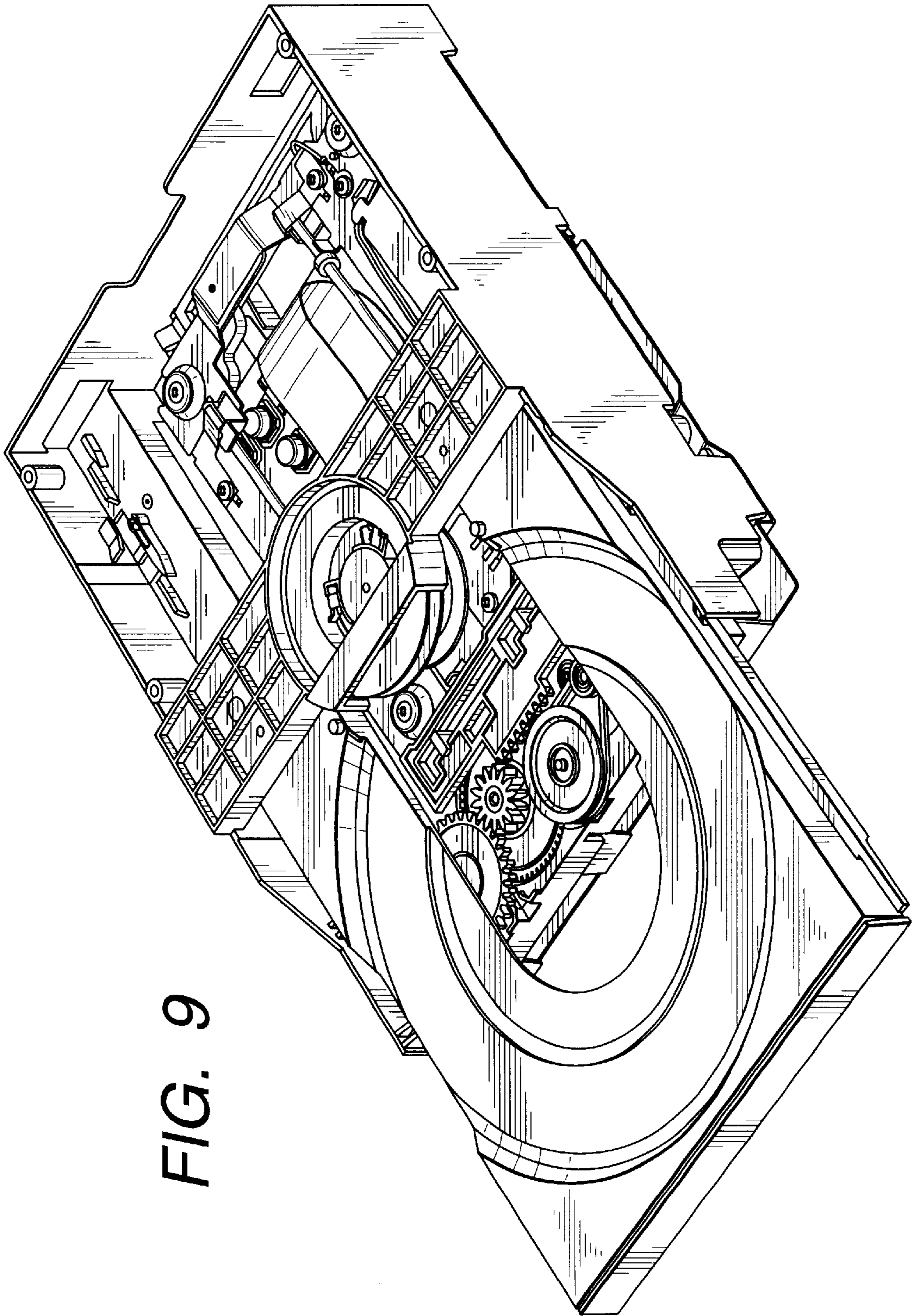


FIG. 9