



US00D481033S

(12) **United States Design Patent**
Peiker

(10) **Patent No.:** **US D481,033 S**

(45) **Date of Patent:** **** Oct. 21, 2003**

(54) **TWO-PART CRADLE FOR MOBILE PHONE**

DESCRIPTION

(76) Inventor: **Andreas Peiker**, Max-Planck-Strasse
32, D-61381 Friedrichsdorf (DE)

(**) Term: **14 Years**

(21) Appl. No.: **29/162,724**

(22) Filed: **Jun. 21, 2002**

(30) **Foreign Application Priority Data**

Dec. 21, 2001 (DE) 4 01 11 071

(51) **LOC (7) Cl.** **14-03**

(52) **U.S. Cl.** **D14/253**

(58) **Field of Search** D14/137, 434,
D14/138, 447, 148, 147, 149-151, 140-142,
240, 241, 251-253, 451, 218; 379/426,
449, 419, 420.01-420.04, 428.01-428.04,
440, 454, 455, 446; 455/550-575, 90; D13/107,
108; 320/110-115; D3/218

(56) **References Cited**

U.S. PATENT DOCUMENTS

D315,161 S * 3/1991 Watanabe D14/253
D354,961 S * 1/1995 Richards et al. D14/253

(List continued on next page.)

FOREIGN PATENT DOCUMENTS

DE 41 07 995 A1 9/1992
DE 295 12 368 U1 11/1995

(List continued on next page.)

OTHER PUBLICATIONS

U.S. patent application Ser. No. 29/143,539, Andreas Peiker,
filing date n/a.

Primary Examiner—Jeffrey Asch

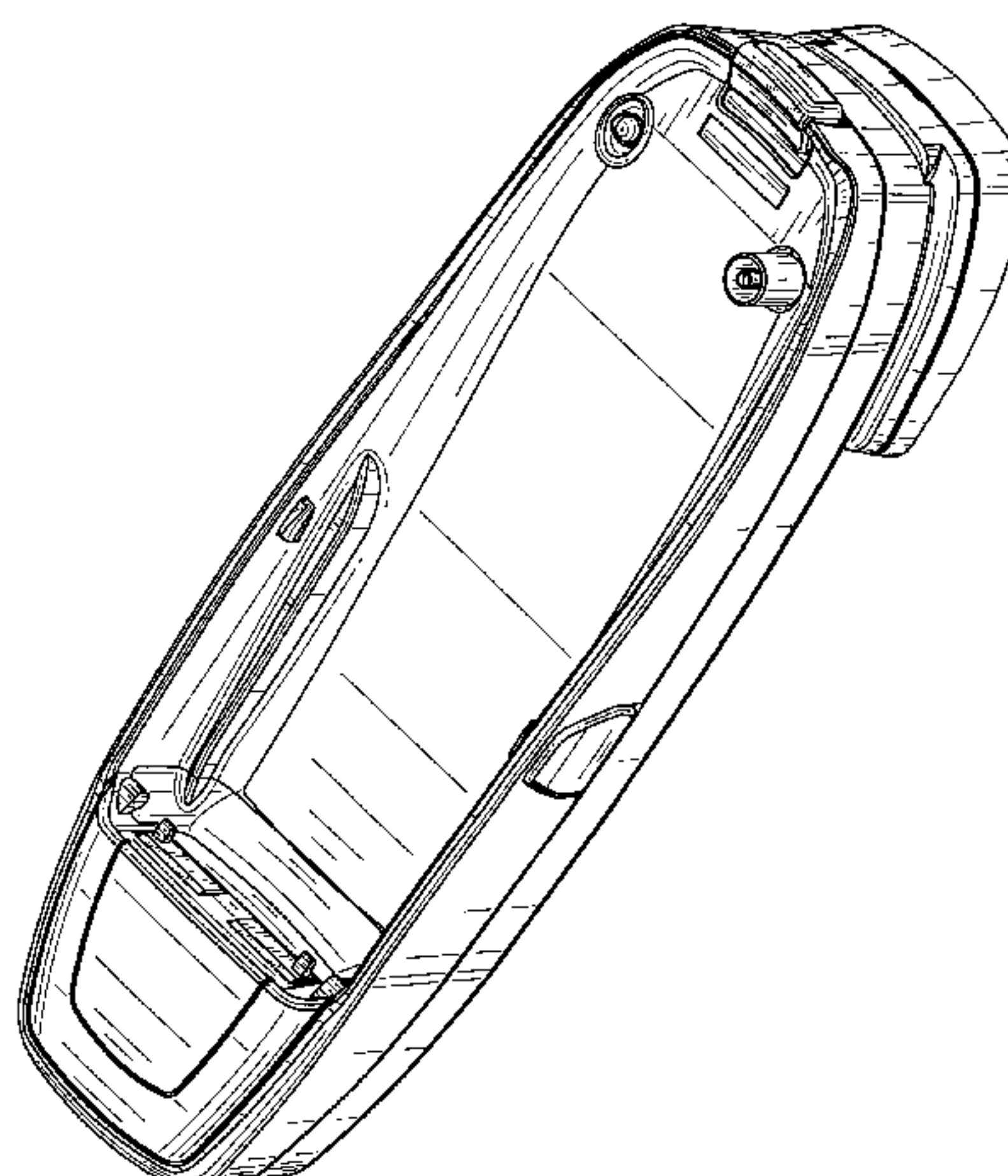
(74) *Attorney, Agent, or Firm*—Venable LLP; Robert
Kinberg

(57) **CLAIM**

The ornamental design for a two-part cradle for mobile
phone, as shown and described.

FIG. 1 is a front plan view of a two-part cradle for mobile phone according to the design of the invention, with only the phone holder part of the cradle being visible in this view. FIG. 2 is a top end view of the design shown in FIG. 1. FIG. 3 is a right side view of the design shown in FIG. 1. FIG. 4 is a bottom end view of the design shown in FIG. 1. FIG. 5 is a left side view of the design shown in FIG. 1. FIG. 6 is a rear plan of the design shown in FIG. 1. FIG. 7 is a front-top-right perspective view of the design shown in FIG. 1. FIG. 8 is a front-top-left perspective view of the design shown in FIG. 1. FIG. 9 is a top plan view of the base part of the two-part mobile phone cradle of FIG. 1. FIG. 10 is a top end view of the base part shown in FIG. 9. FIG. 11 is a right side view of the base part shown in FIG. 9. FIG. 12 is a bottom end view of the base part shown in FIG. 9. FIG. 13 is a left side view of the base part shown in FIG. 9. FIG. 14 is a rear plan view of the base part shown in FIG. 9. FIG. 15 is a front-bottom-left perspective view of the base part shown in FIG. 9. FIG. 16 is a front-bottom-right perspective view of the base part shown in FIG. 9. FIG. 17 is a front-top-right perspective view of the base part shown in FIG. 9. FIG. 18 is a top end view of the phone holder part of the two-part mobile phone cradle of FIG. 1. FIG. 19 is a right side view of the phone holder part of the two-part mobile phone cradle of FIG. 1. FIG. 20 is a bottom view of the phone holder part of the two-part mobile phone cradle of FIG. 1. FIG. 21 is a left side view of the phone holder part of the two-part mobile phone cradle of FIG. 1. FIG. 22 is a rear plan view of the phone holder part of the two-part mobile phone cradle of FIG. 1. FIG. 23 is a front-top-right perspective view of the phone holder part of the two-part mobile phone cradle of FIG. 1; and, FIG. 24 is a front-bottom-left perspective view of the phone holder part of the two-part mobile phone cradle of FIG. 1. The two individual components have been shown separately in FIGS. 9-24 for convenience of illustration.

1 Claim, 24 Drawing Sheets



US D481,033 S

Page 2

U.S. PATENT DOCUMENTS

D362,004 S * 9/1995 Nakano et al. D14/253
5,479,479 A 12/1995 Braitberg et al.
D368,098 S * 3/1996 Su D14/253
5,535,274 A 7/1996 Braitberg et al.
5,828,750 A * 10/1998 Perala 379/446
D402,993 S * 12/1998 James et al. D14/253
5,917,907 A * 6/1999 Kela 379/446
D412,910 S * 8/1999 Peiker D14/253
D413,607 S * 9/1999 Lindahl D14/253
D425,908 S * 5/2000 Collins D14/253
D428,002 S * 7/2000 Lindahl D14/253
D432,530 S * 10/2000 Lindahl D14/253
D437,315 S * 2/2001 Hunt D14/253
6,208,734 B1 * 3/2001 Ortscheid et al. 379/446
D445,781 S * 7/2001 Peiker D14/253
6,427,959 B1 * 8/2002 Kalis et al. 248/288.11
D471,907 S * 3/2003 Peiker D14/253
2002/0018559 A1 * 2/2002 Lundstrom et al. 379/455

FOREIGN PATENT DOCUMENTS

DE 295 20 231 U1 3/1996
DE 196 52 826 A1 6/1998
DE 196 31 444 A1 8/1998
DE 197 04 992 A1 8/1998

DE 197 15 596 A1 10/1998
DE 299 03 958 U1 7/1999
DE 299 07 072 U1 8/1999
DE 19925525 * 12/1999
DE 198 35 017 A1 2/2000
DE 299 19 581 U1 2/2000
DE 198 50 044 C1 3/2000
DE 198 35 017 C2 6/2000
DE 19850044 * 9/2000
DE 200 11 311 U1 12/2000
DE 200 15 036 U1 1/2001
DE 10037569 * 4/2001
DE 199 46 746 A1 4/2001
DE 199 47 064 A1 4/2001
DE 10103609 * 8/2002
DE 10162069 * 9/2002
DE 201 13 300 U1 11/2002
EP 0 831 667 A1 3/1998
WO WO 95/28789 A1 10/1995
WO WO 97/00792 A1 1/1997
WO WO 98/11747 A1 3/1998
WO DM057018 6/2001
WO WO 01/61875 A1 8/2001

* cited by examiner

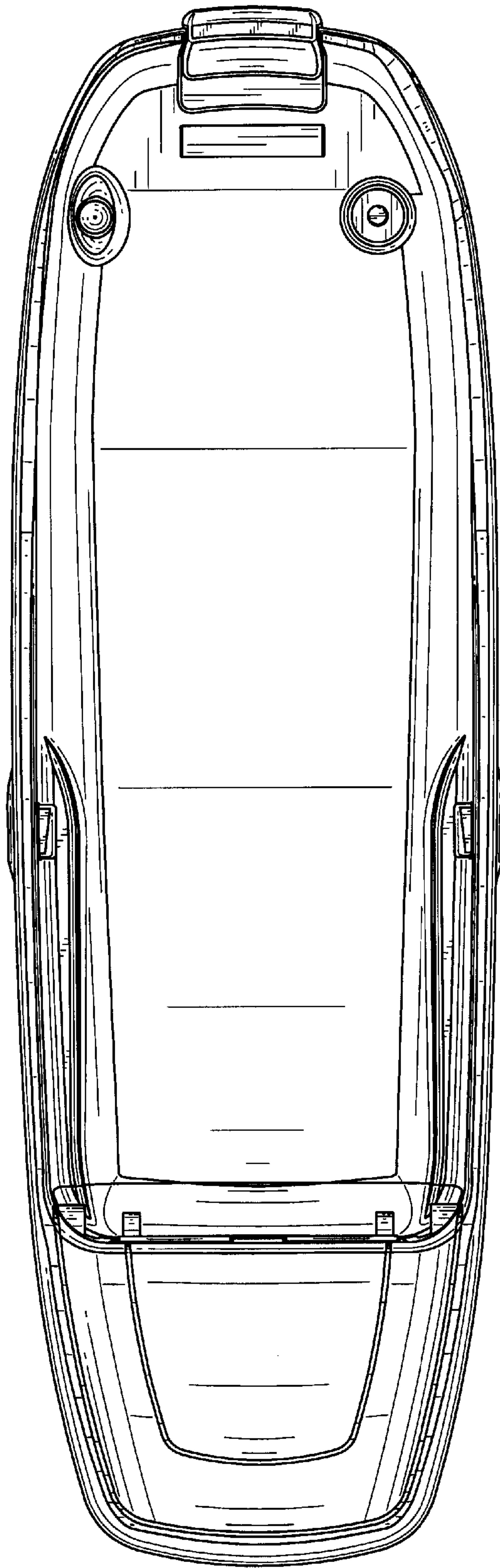


FIG. 1

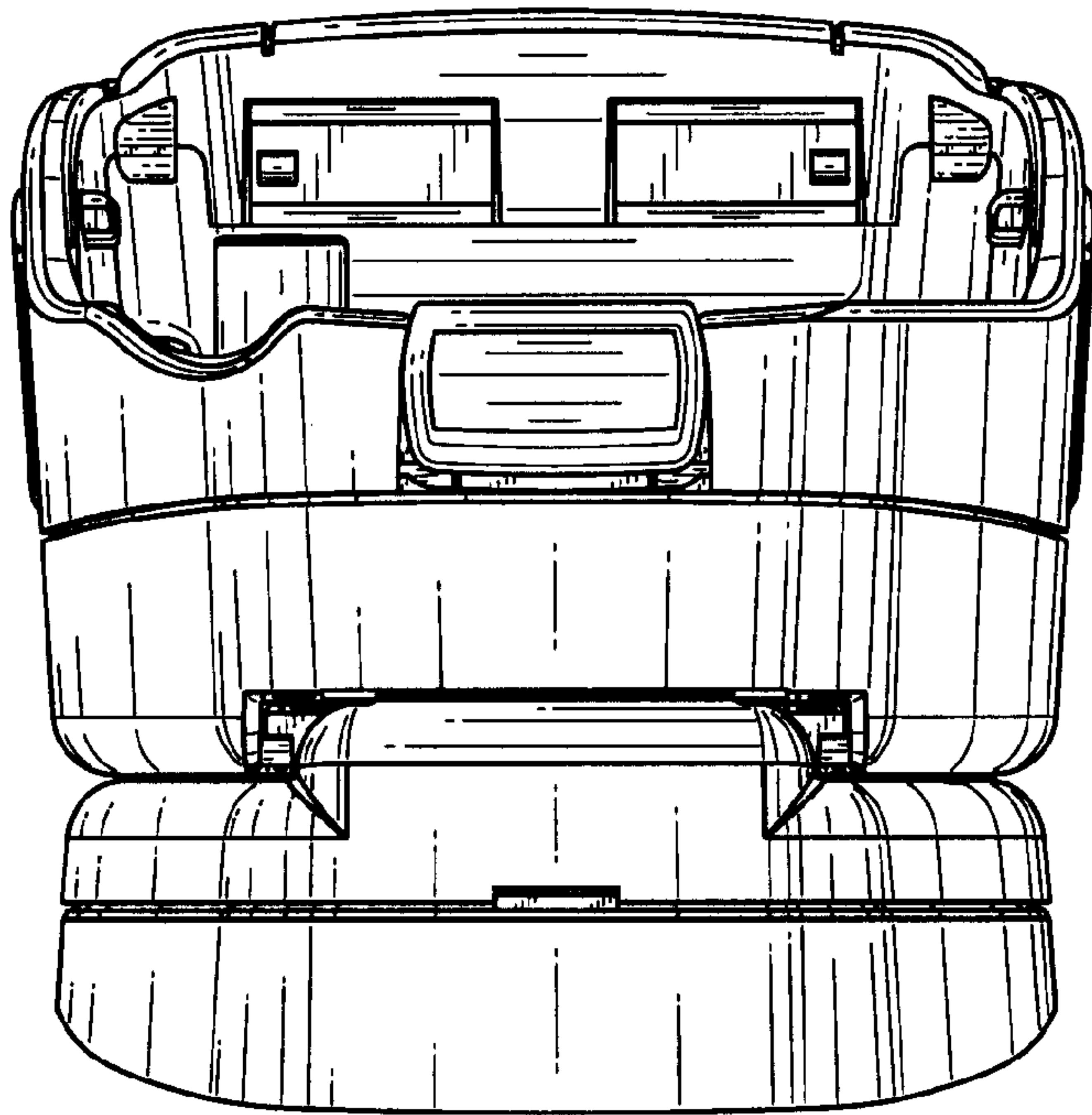


FIG. 2

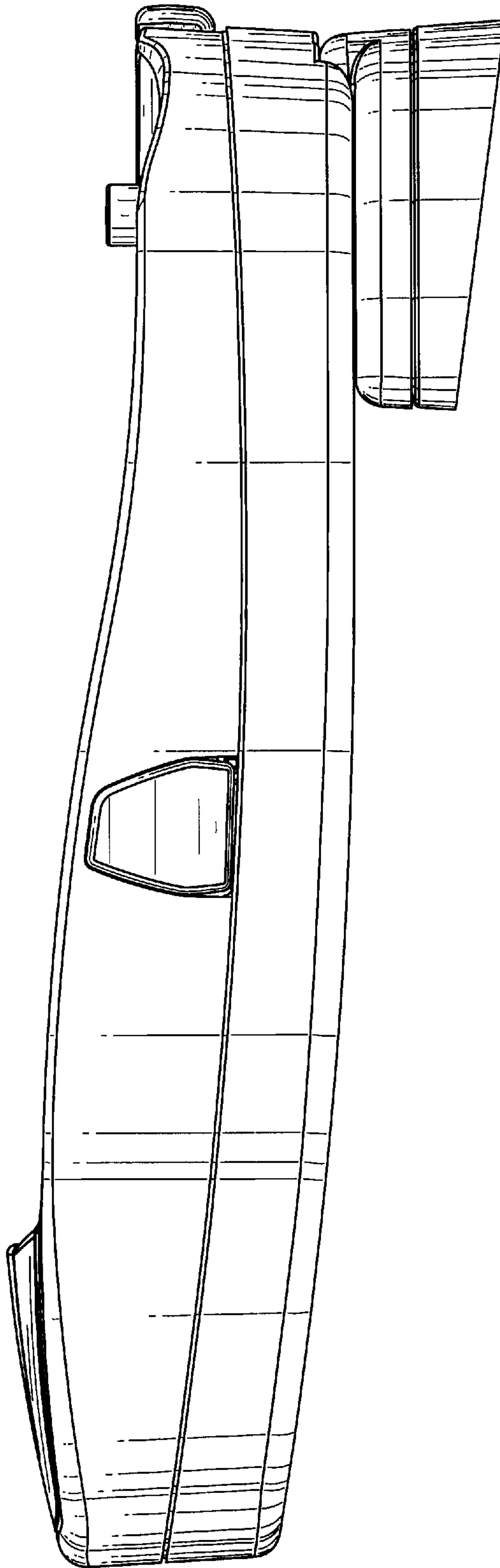


FIG. 3

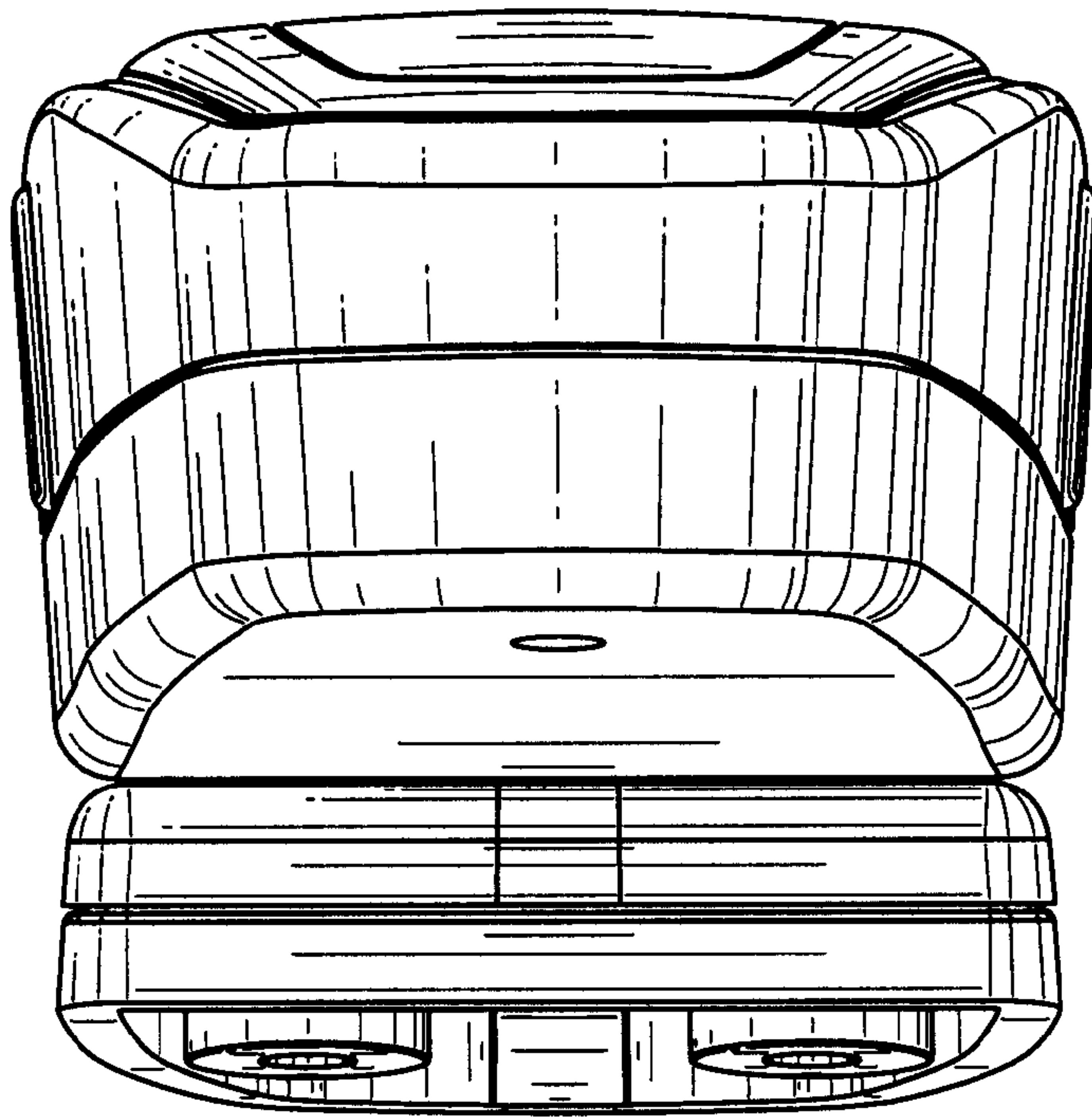


FIG. 4

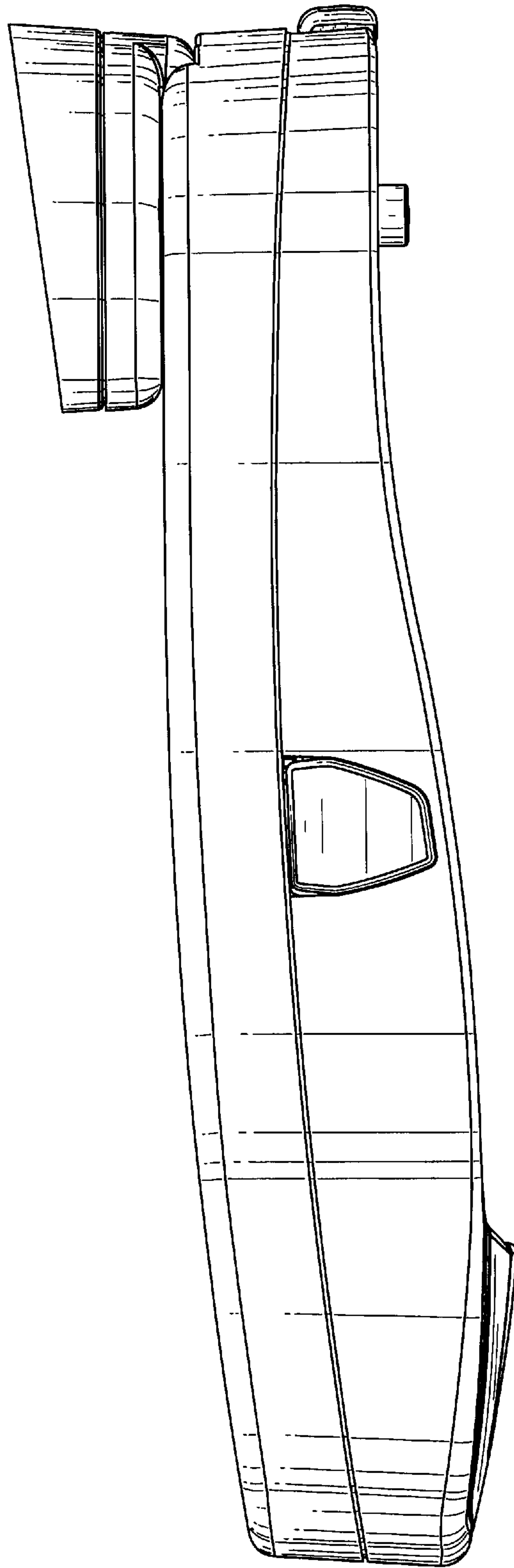


FIG. 5

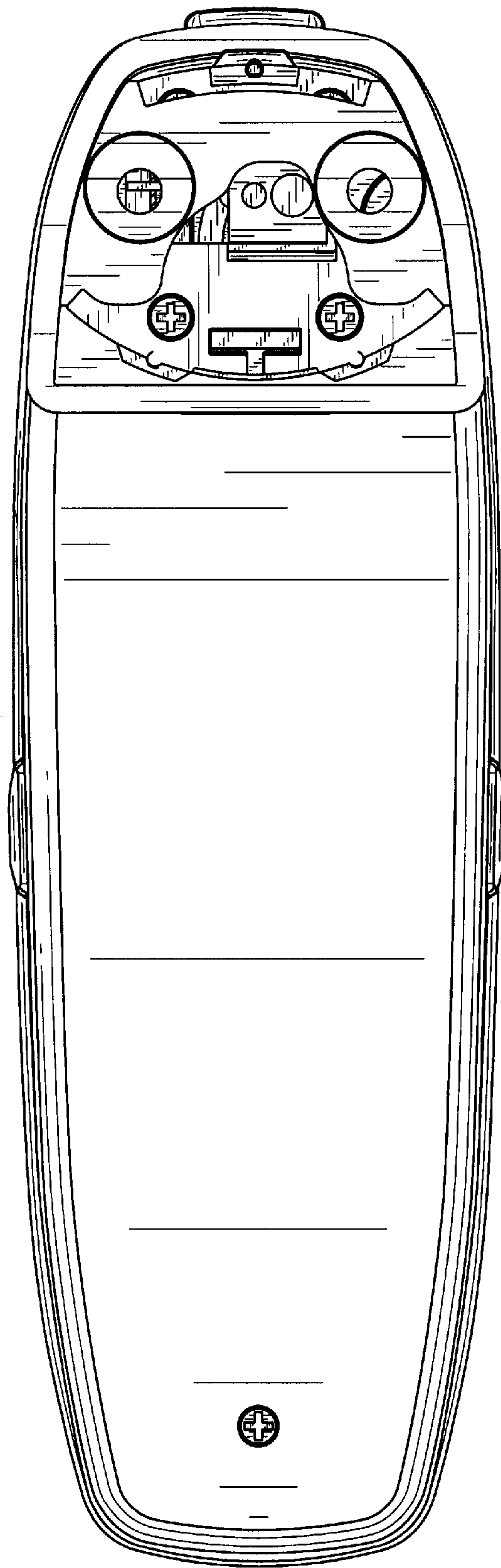


FIG. 6

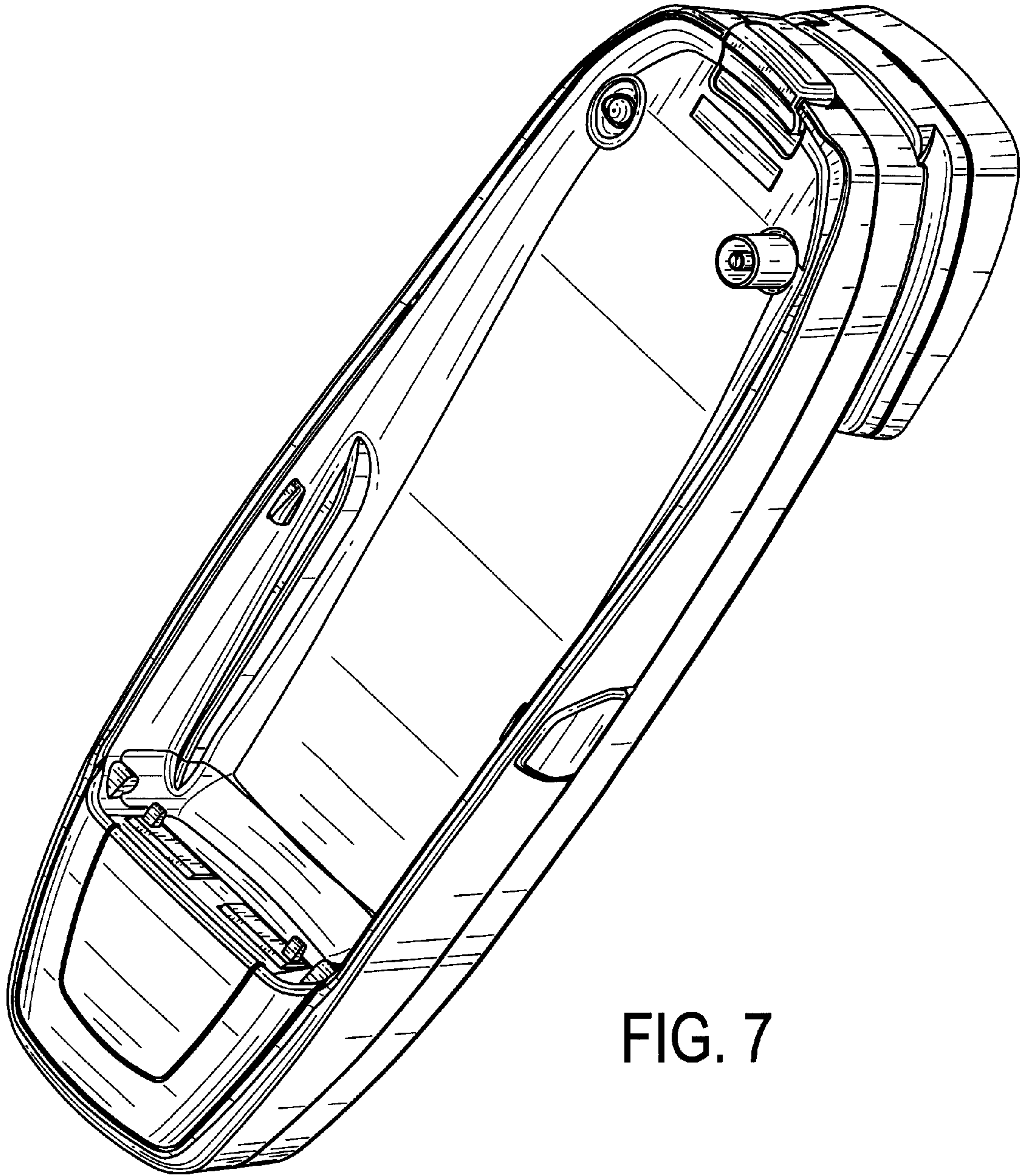
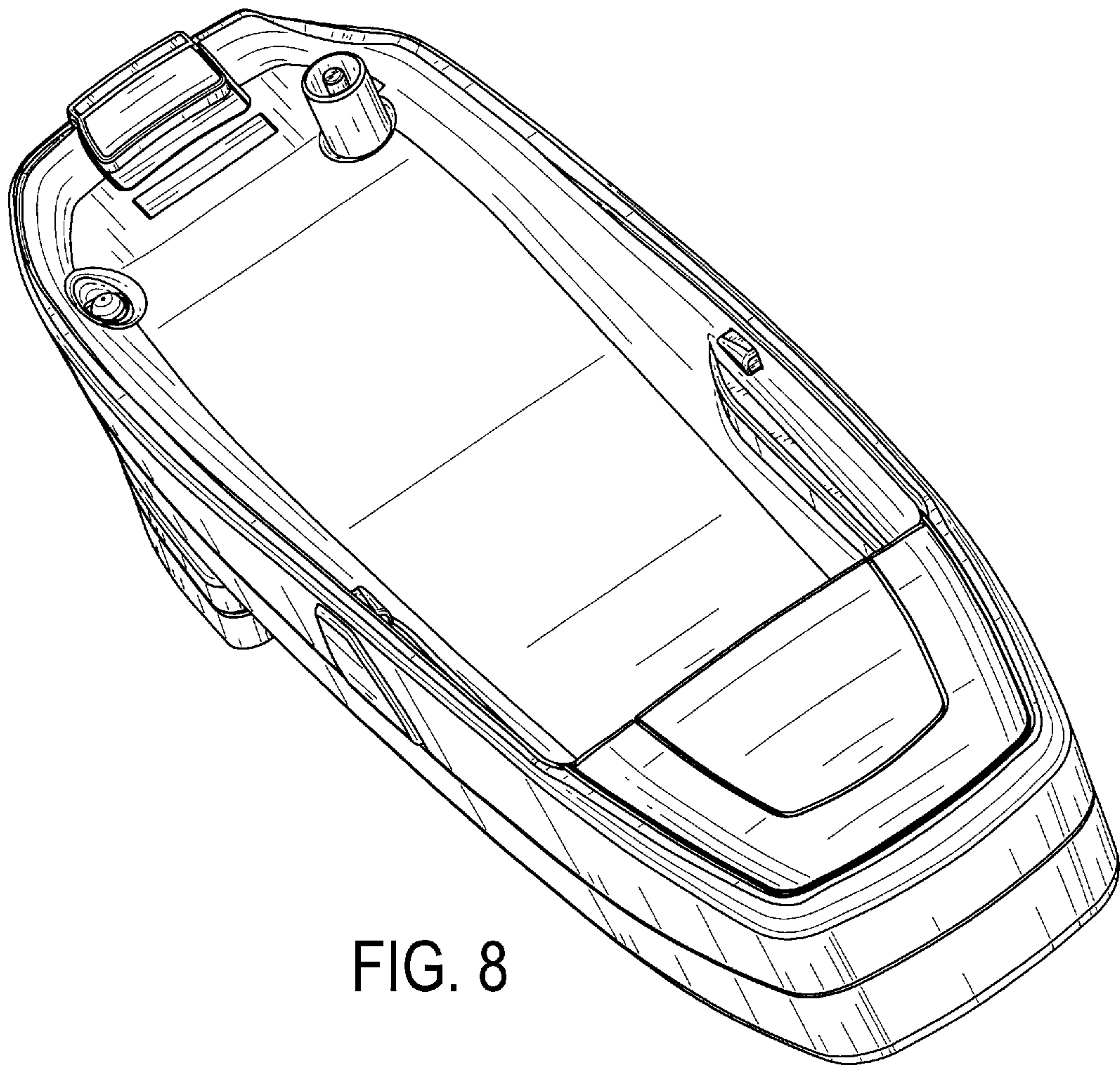


FIG. 7



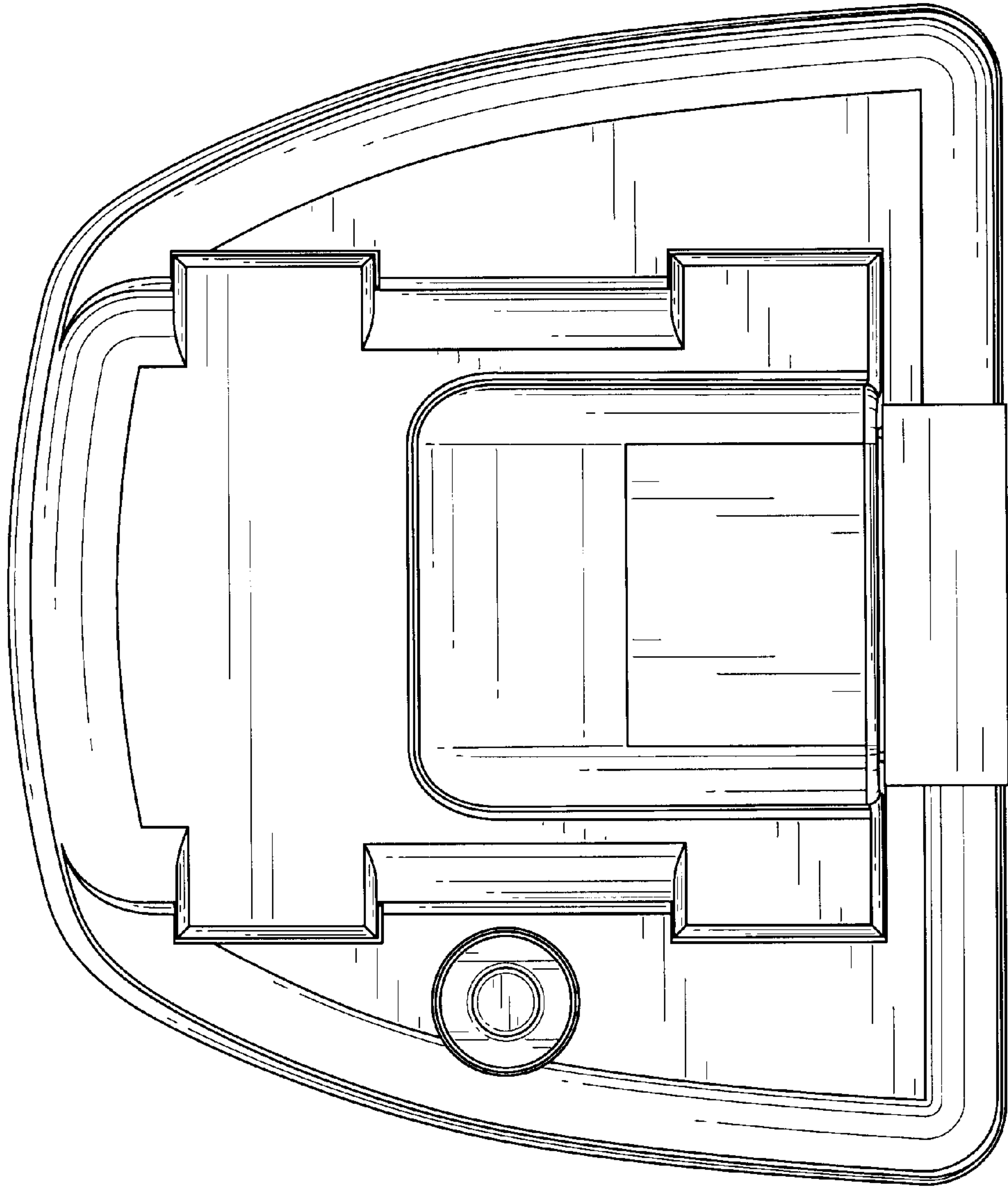


FIG. 9

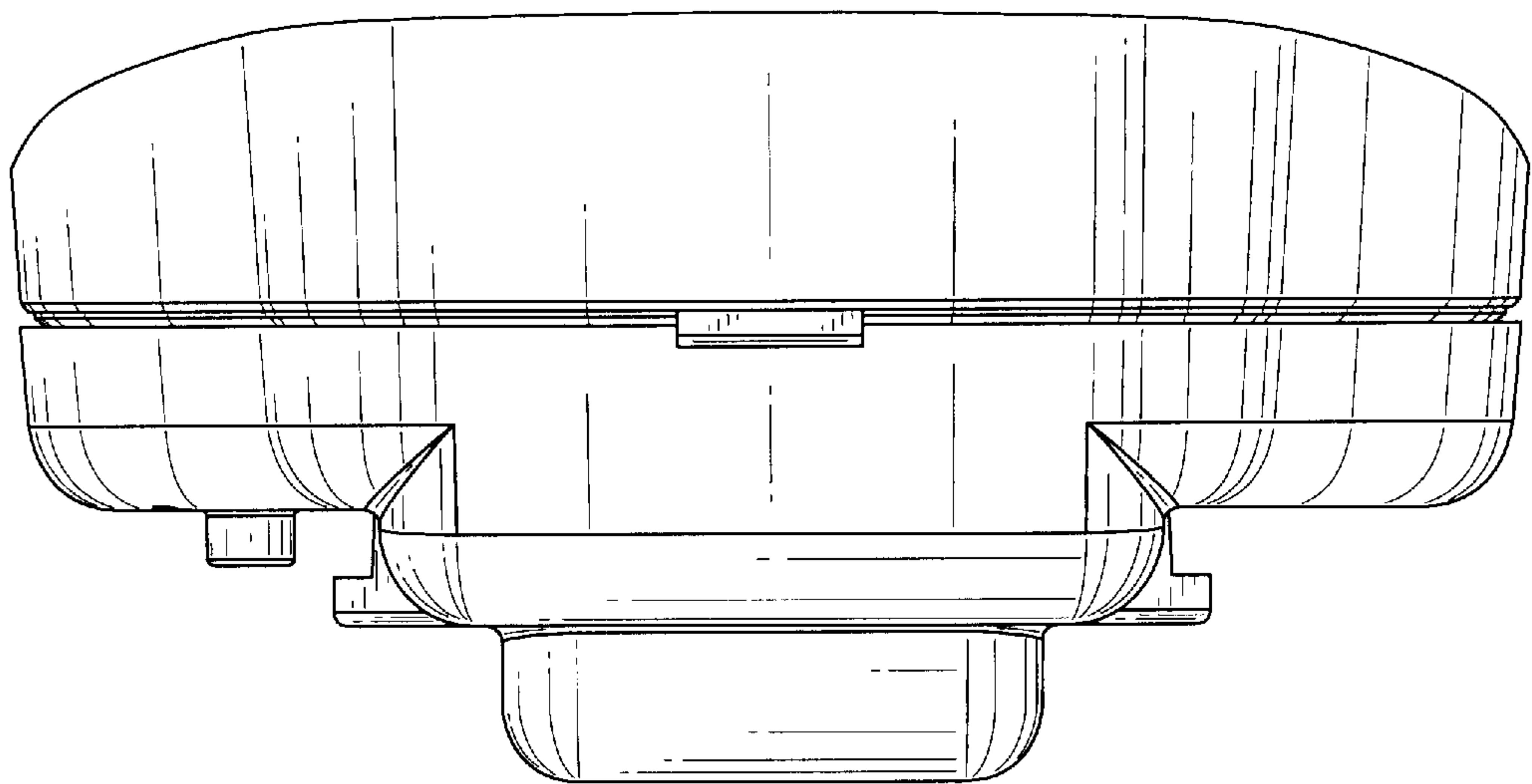


FIG. 10

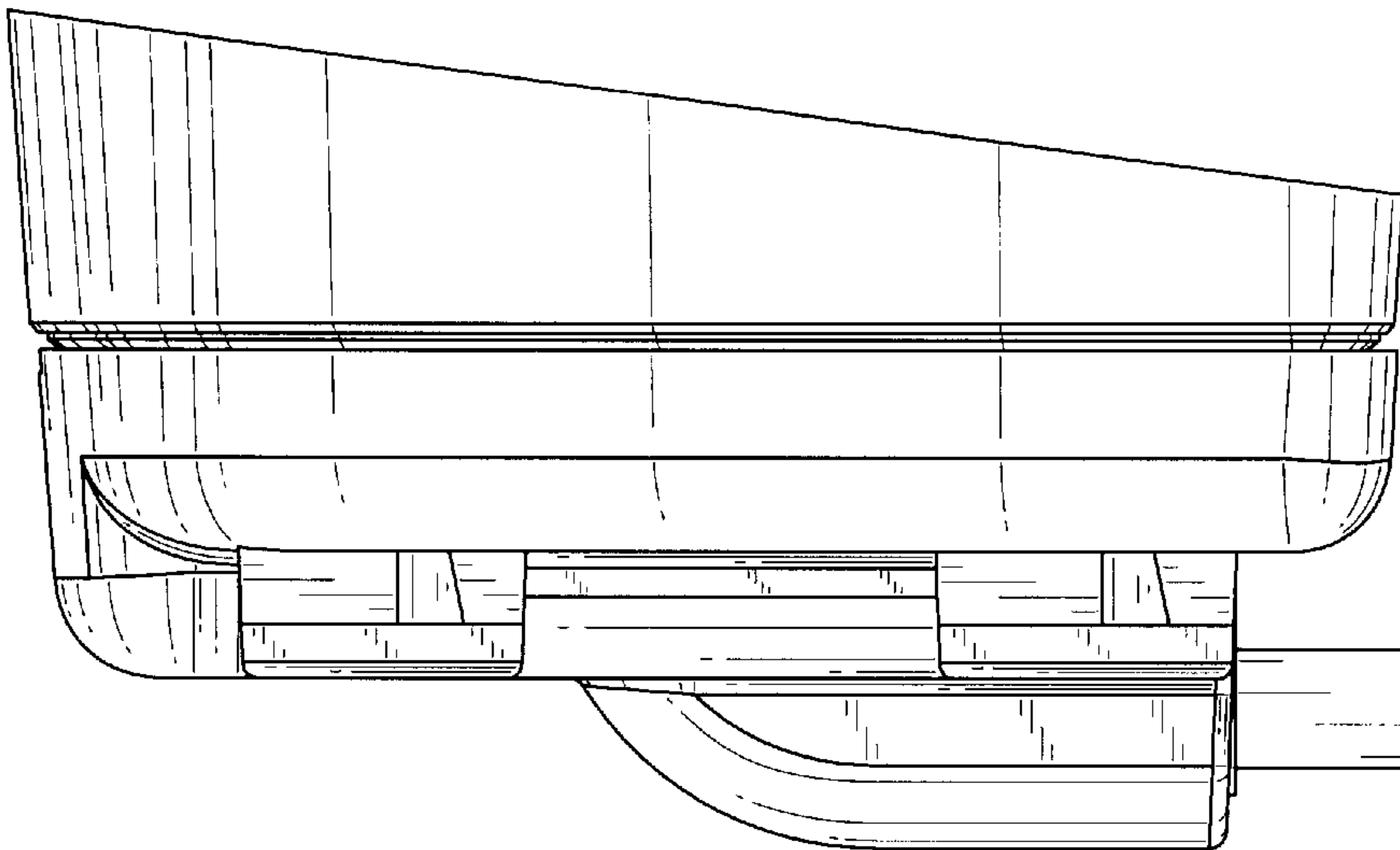


FIG. 11

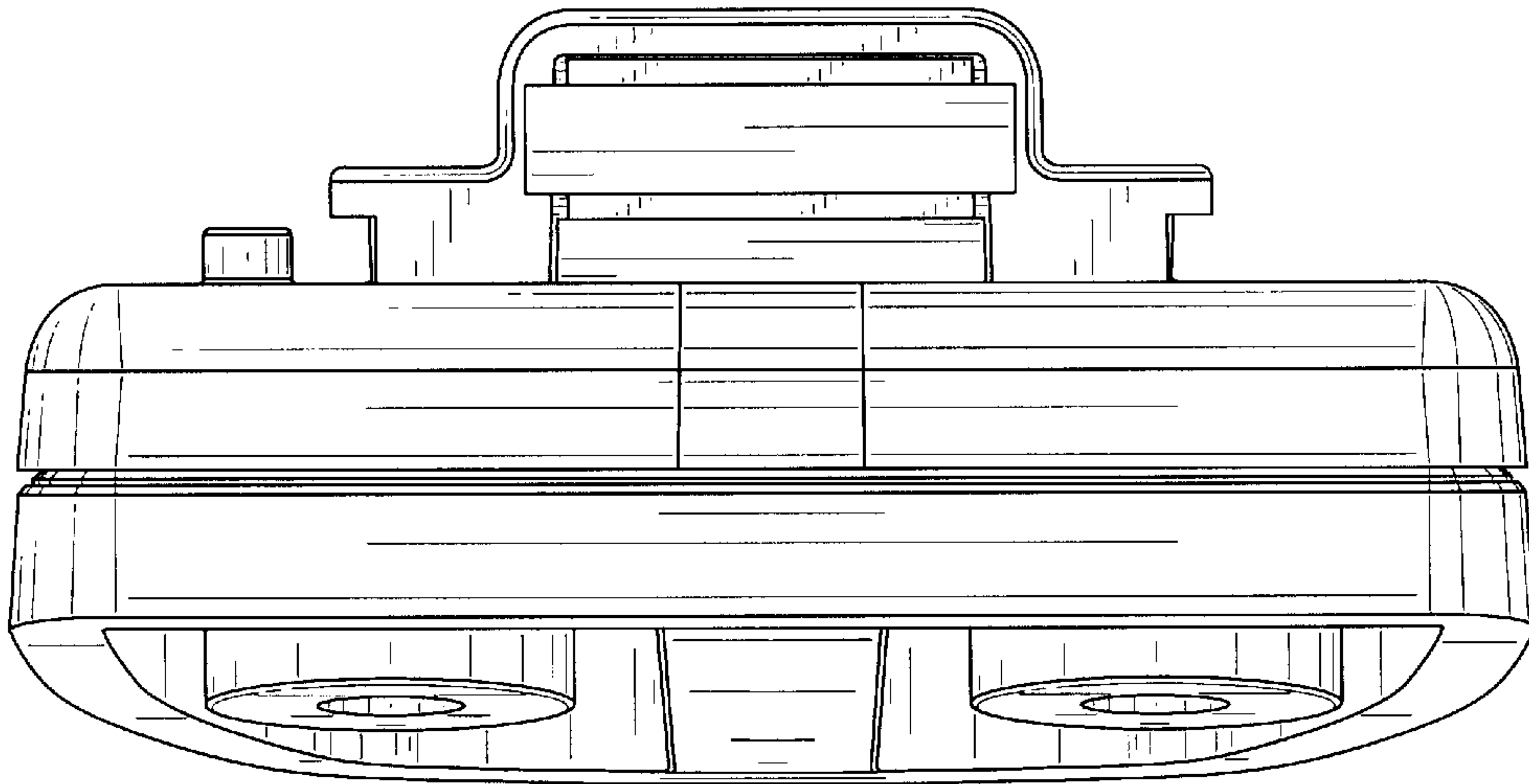


FIG. 12

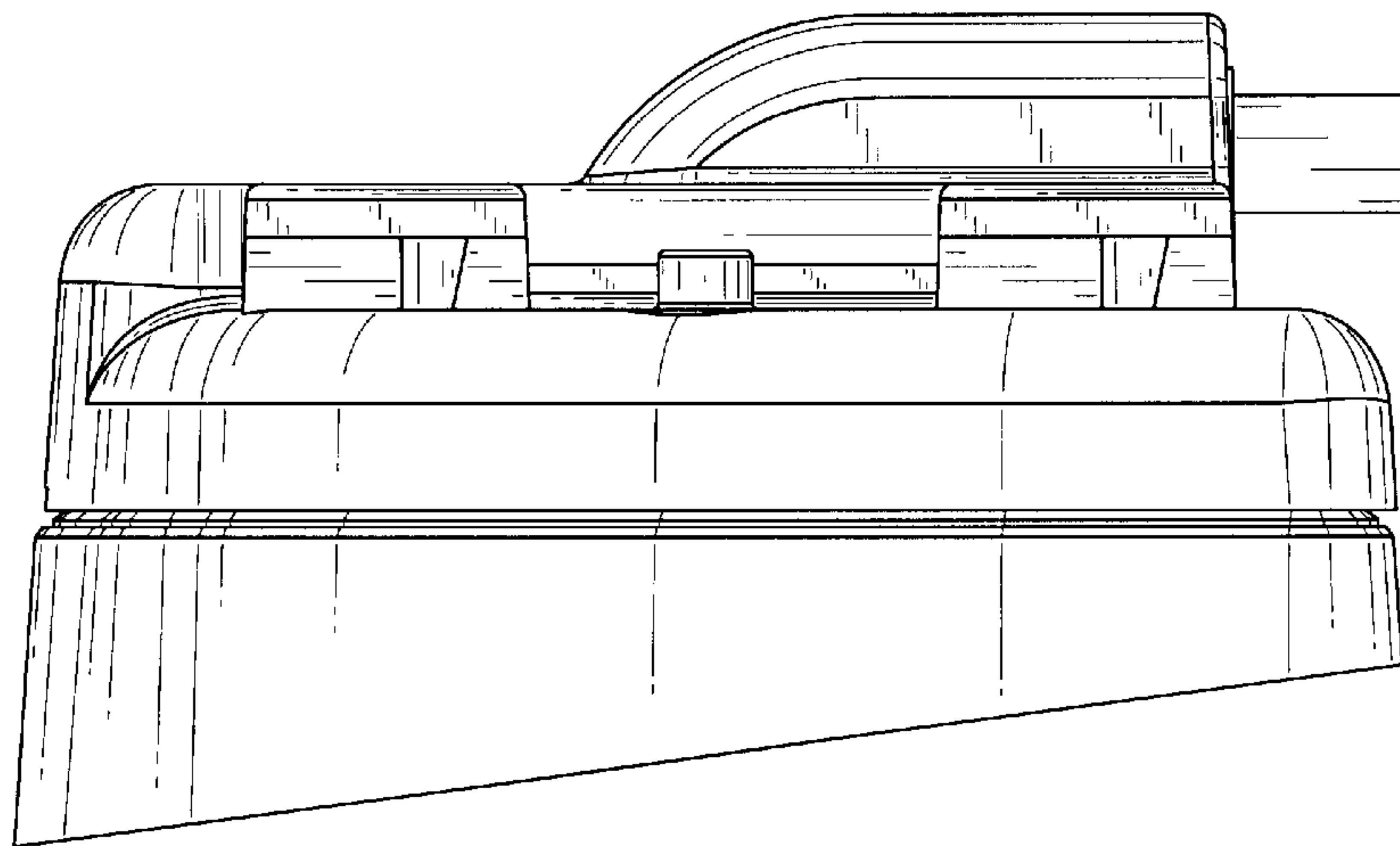


FIG. 13

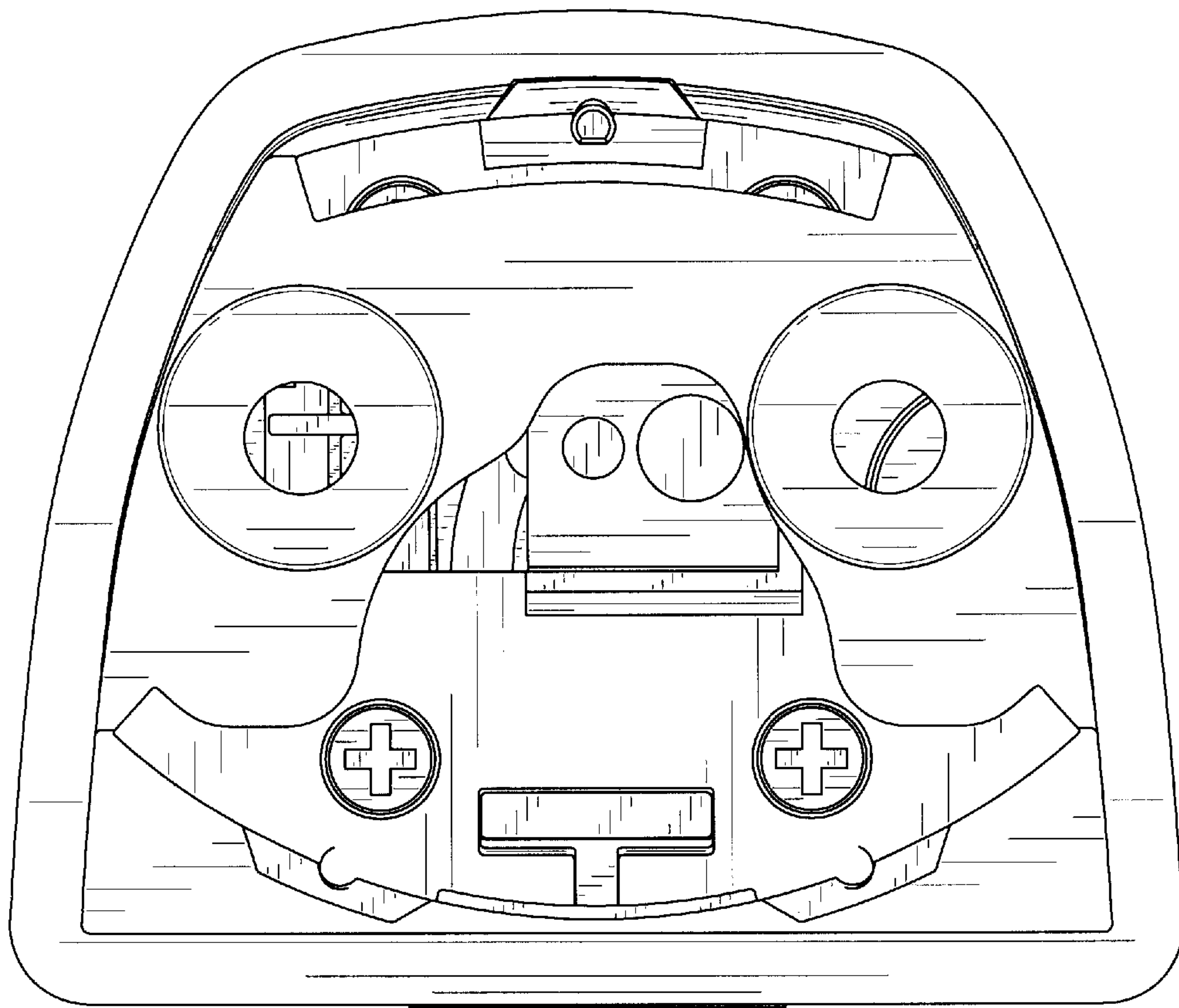


FIG. 14

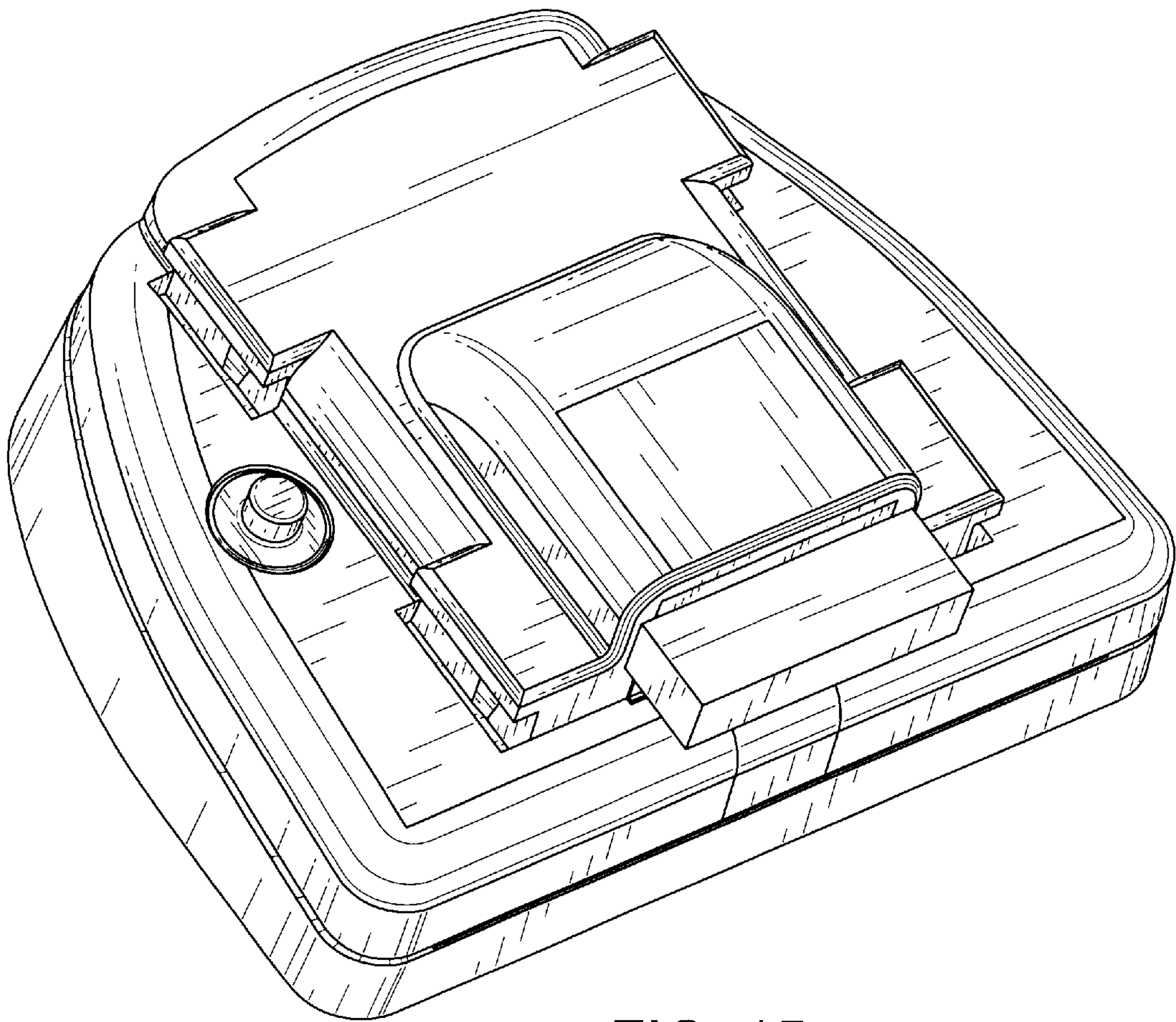


FIG. 15

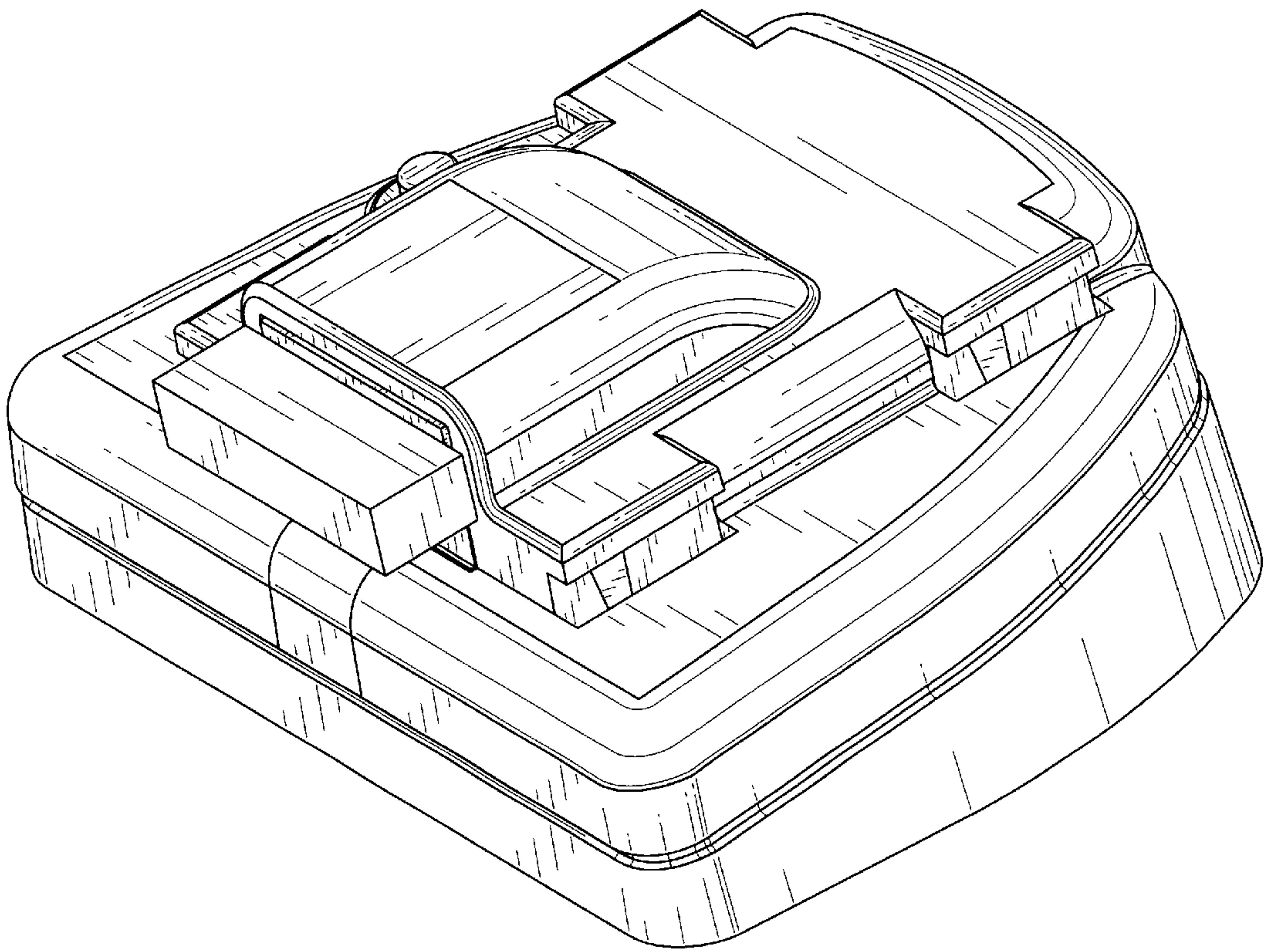


FIG. 16

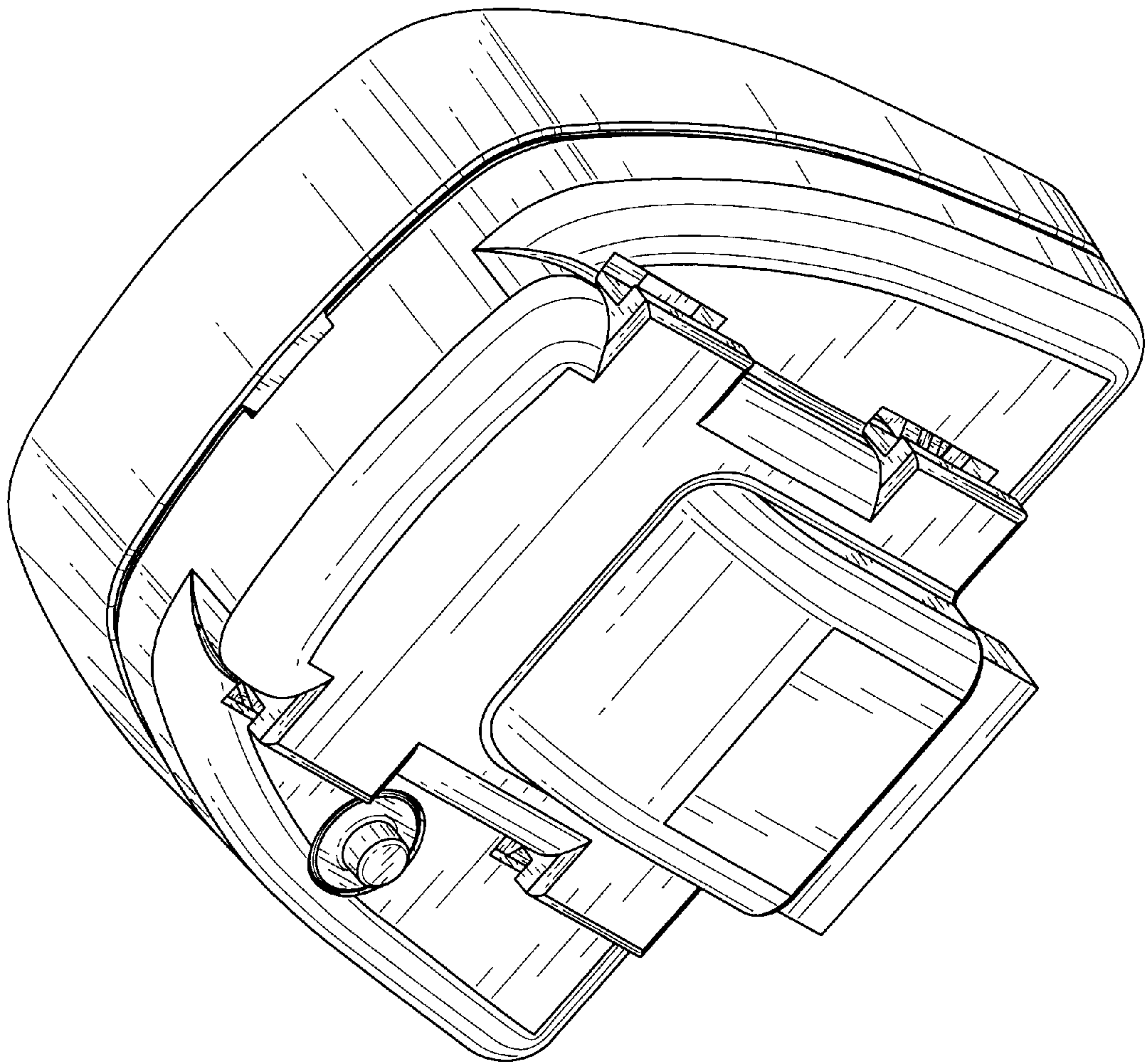


FIG. 17

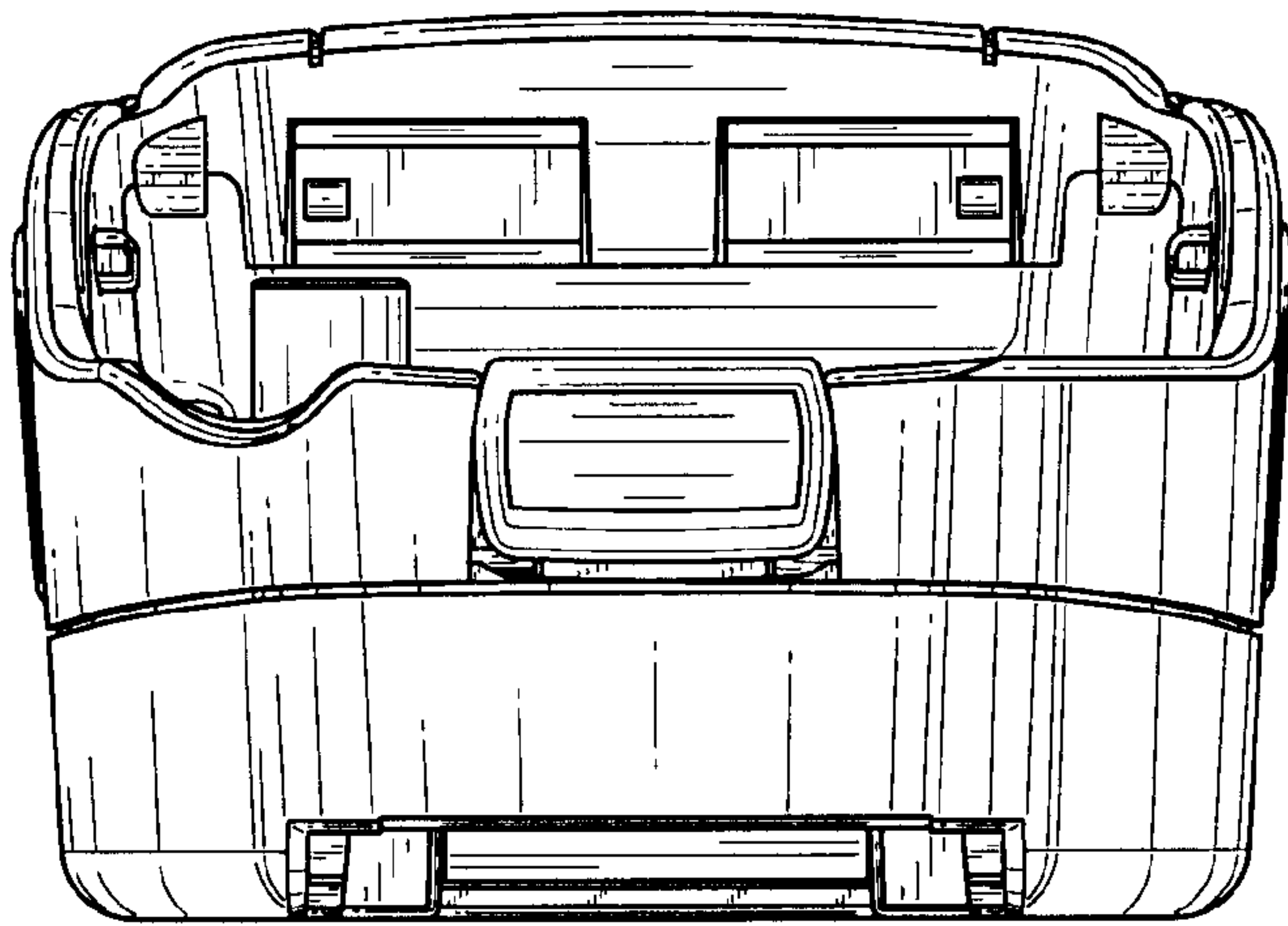


FIG. 18

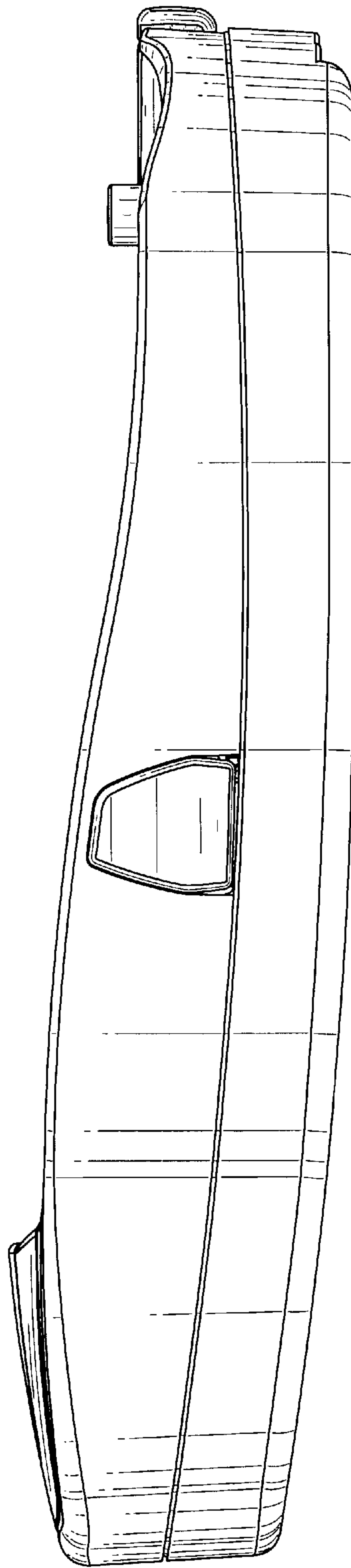


FIG. 19

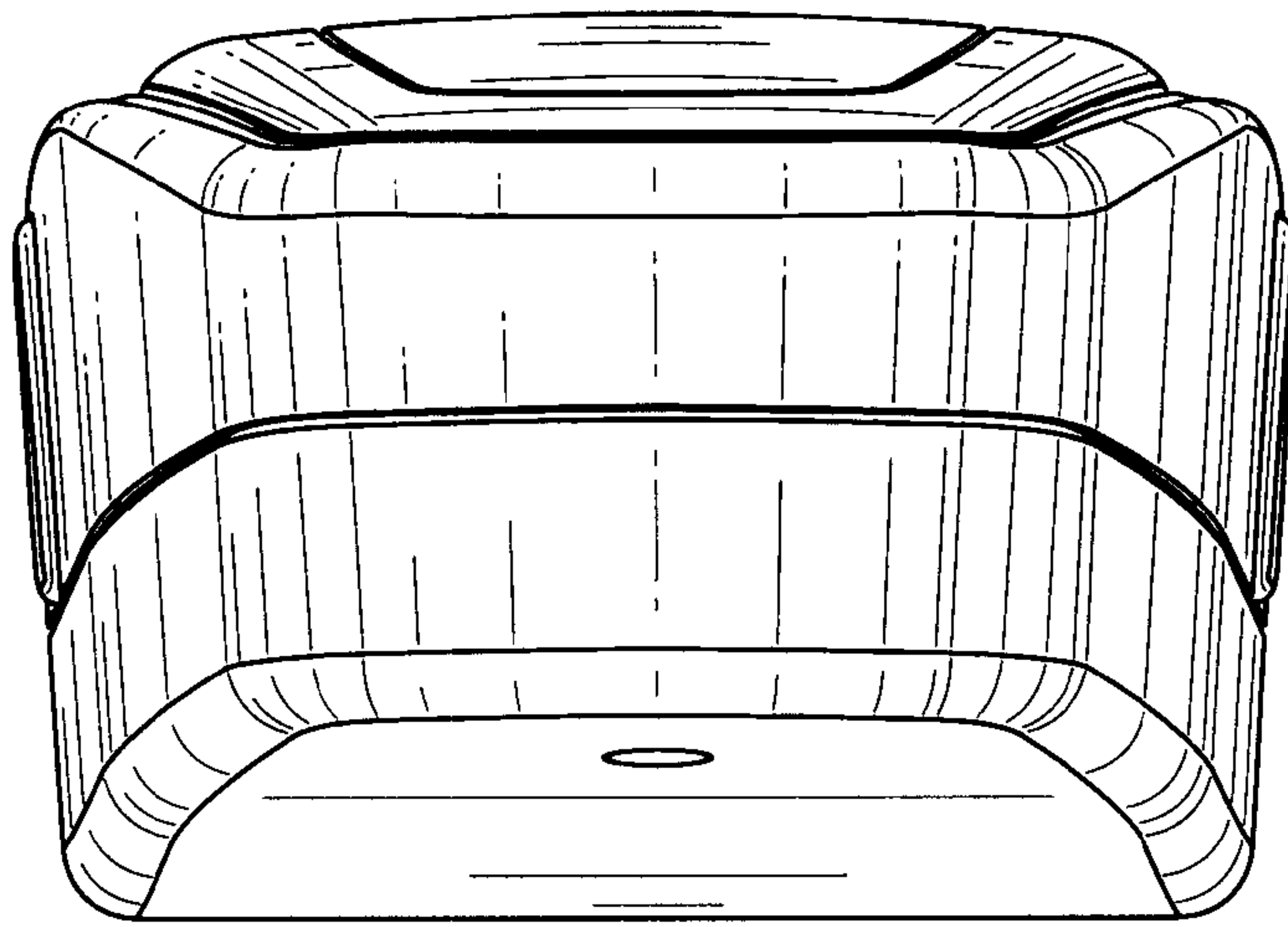


FIG. 20

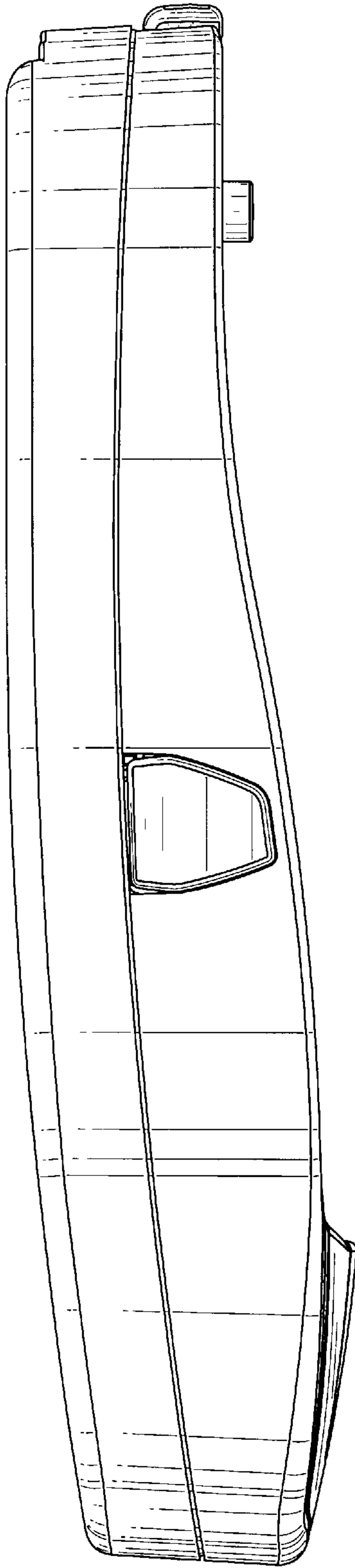


FIG. 21

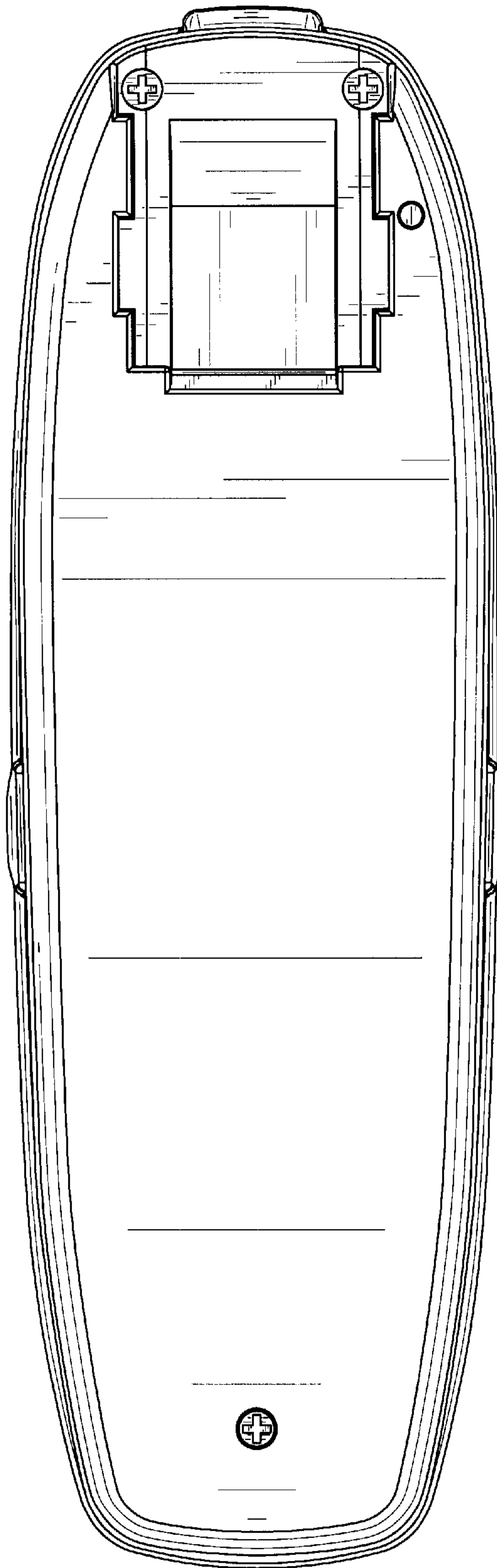


FIG. 22

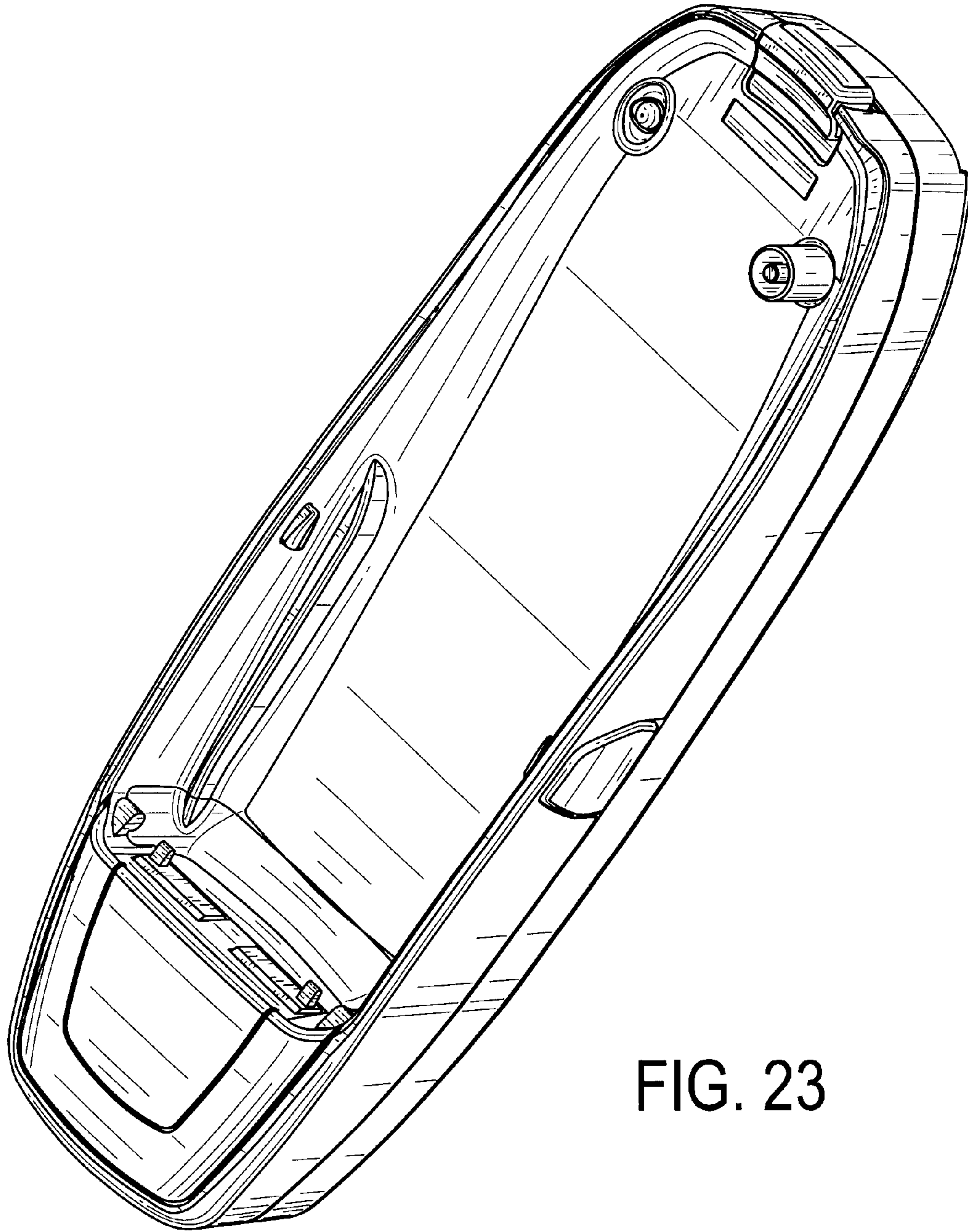


FIG. 23

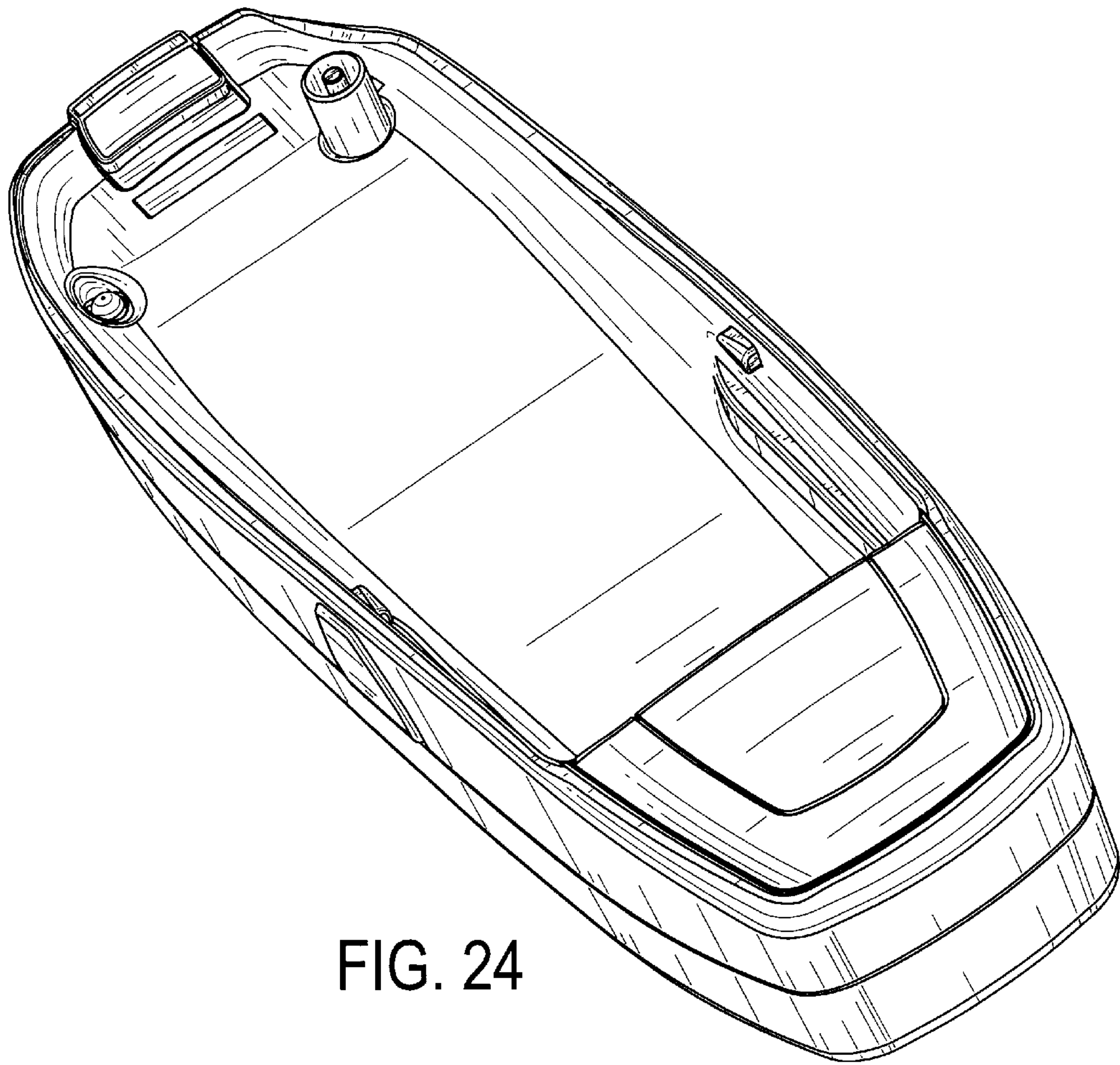


FIG. 24