



US00D481031S

(12) **United States Design Patent**
Wang

(10) **Patent No.:** **US D481,031 S**

(45) **Date of Patent:** **** Oct. 21, 2003**

(54) **ANTENNA**

(75) **Inventor:** **Cheng-Si Wang, Changhua Hsien (TW)**

(73) **Assignee:** **Trans Electric Co., Ltd. (TW)**

(**) **Term:** **14 Years**

(21) **Appl. No.:** **29/174,735**

(22) **Filed:** **Jan. 24, 2003**

(51) **LOC (7) Cl.** **14-03**

(52) **U.S. Cl.** **D14/235**

(58) **Field of Search** D14/230, 234,
D14/235, 237, 238, 231; 343/805, 809,
866, 869, 741, 872, 873, 882, 726, 727,
728, 878, 765, 815

(56) **References Cited**

U.S. PATENT DOCUMENTS

- D147,557 S * 9/1947 Kaplan D14/231
- 2,827,628 A * 3/1958 Swinehart et al. 343/815
- D196,050 S * 8/1963 Finkel et al. D14/235

- D293,786 S * 1/1988 Redaelli D14/234
- D378,368 S * 3/1997 McGreevy D14/137
- D414,494 S * 9/1999 Heiligenstein et al. D14/230
- D419,988 S * 2/2000 Brunner et al. D14/125

* cited by examiner

Primary Examiner—Louis S. Zarfes

Assistant Examiner—Deanne Levy

(74) *Attorney, Agent, or Firm*—Bacon & Thomas PLLC

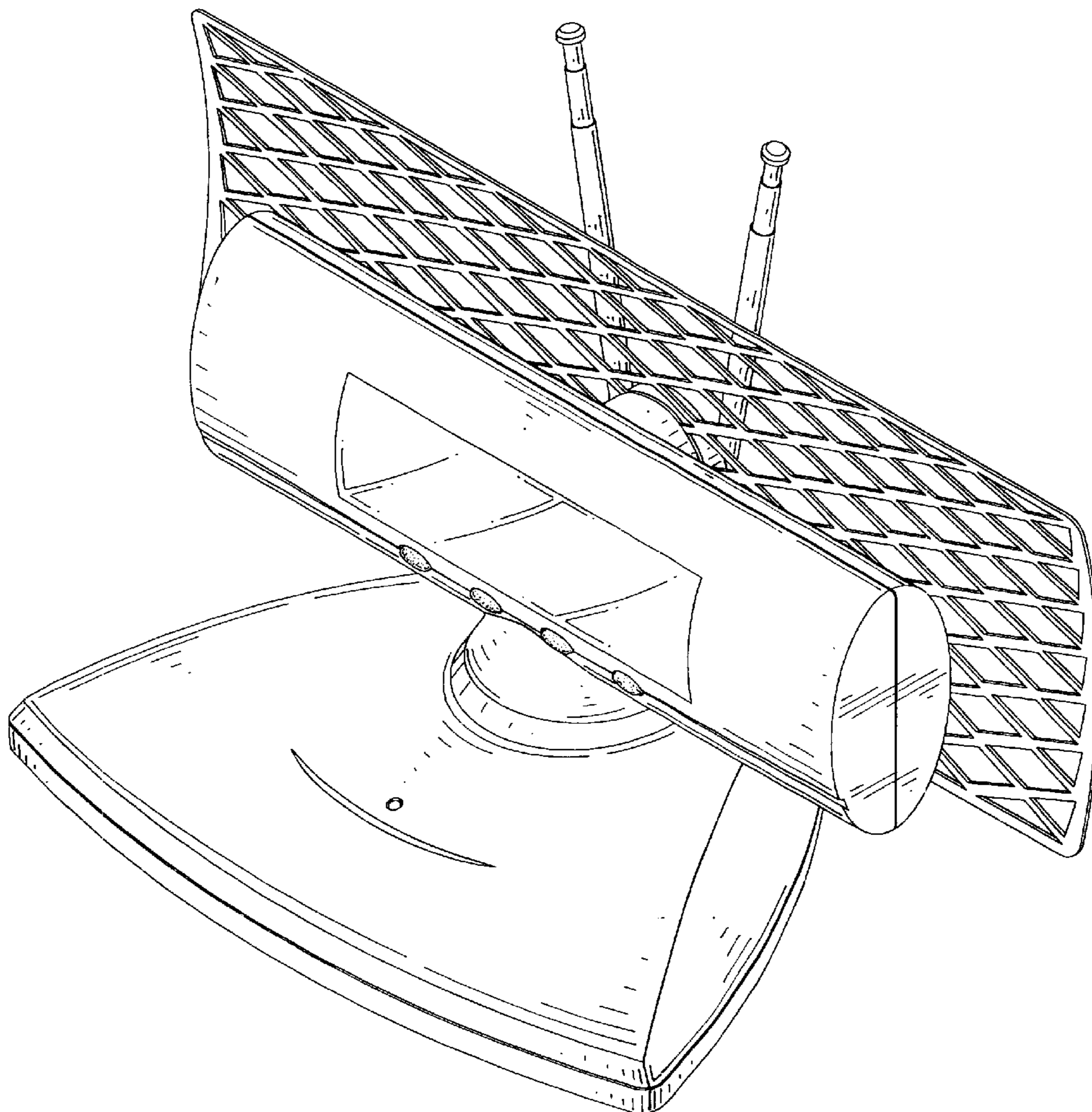
(57) **CLAIM**

The ornamental design for an antenna, as shown.

DESCRIPTION

FIG. 1 is a perspective view of an antenna, showing my new design;
 FIG. 2 is a front elevational view thereof;
 FIG. 3 is a rear elevational view thereof;
 FIG. 4 is a left side elevational view thereof;
 FIG. 5 is a right side elevational view thereof;
 FIG. 6 is a top plan view thereof; and,
 FIG. 7 is a bottom plan view thereof.

1 Claim, 7 Drawing Sheets



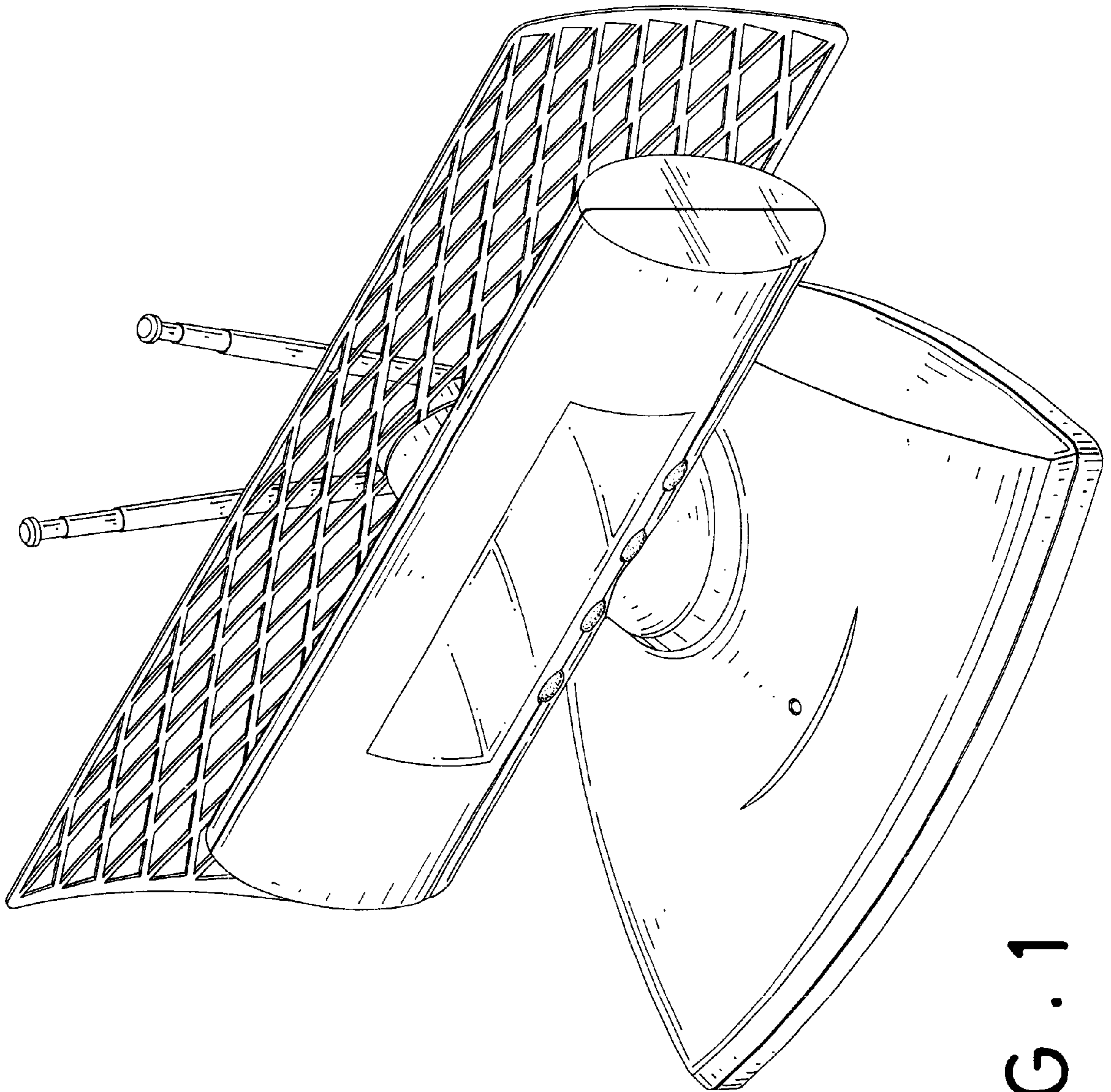


FIG. 1

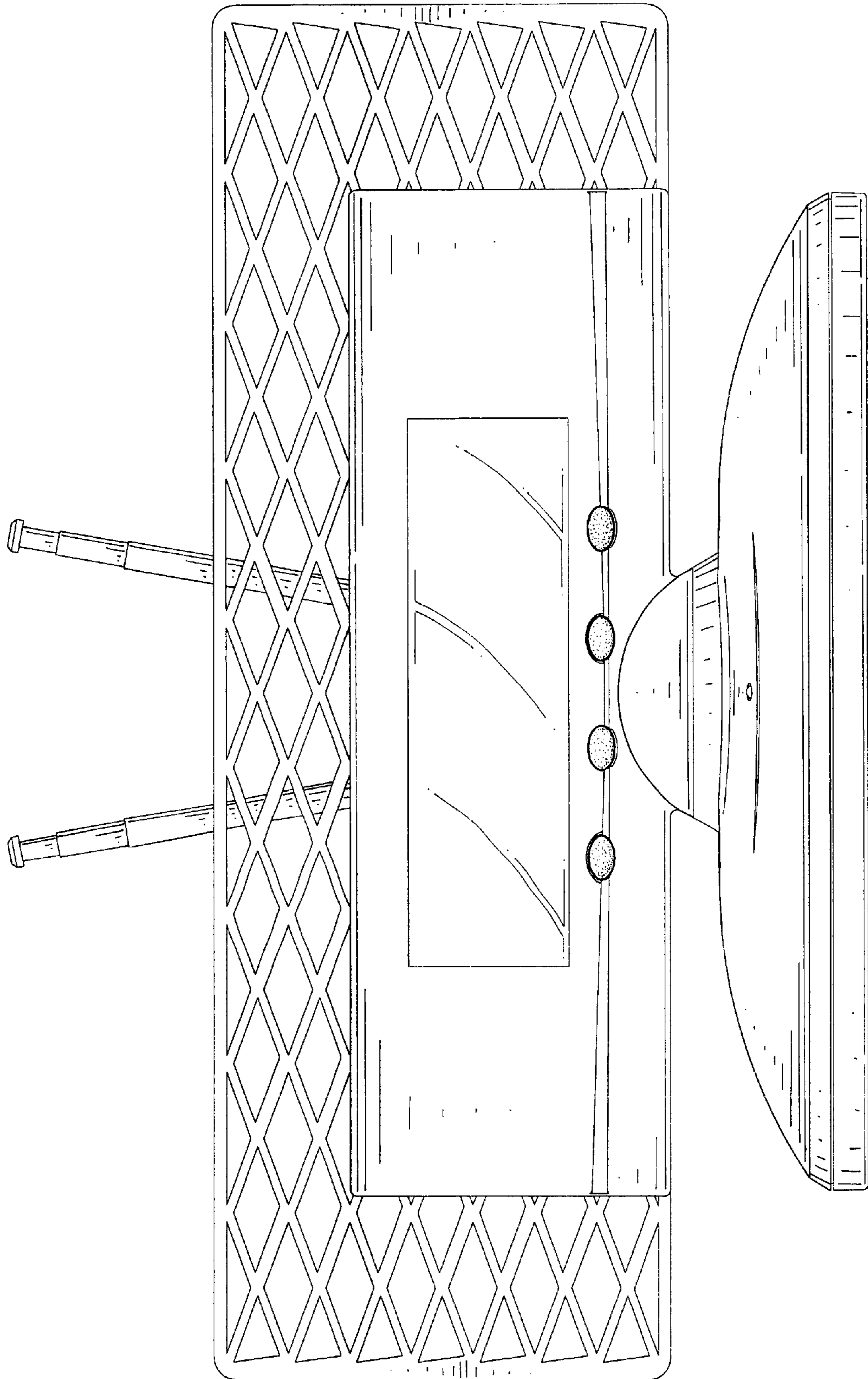


FIG. 2

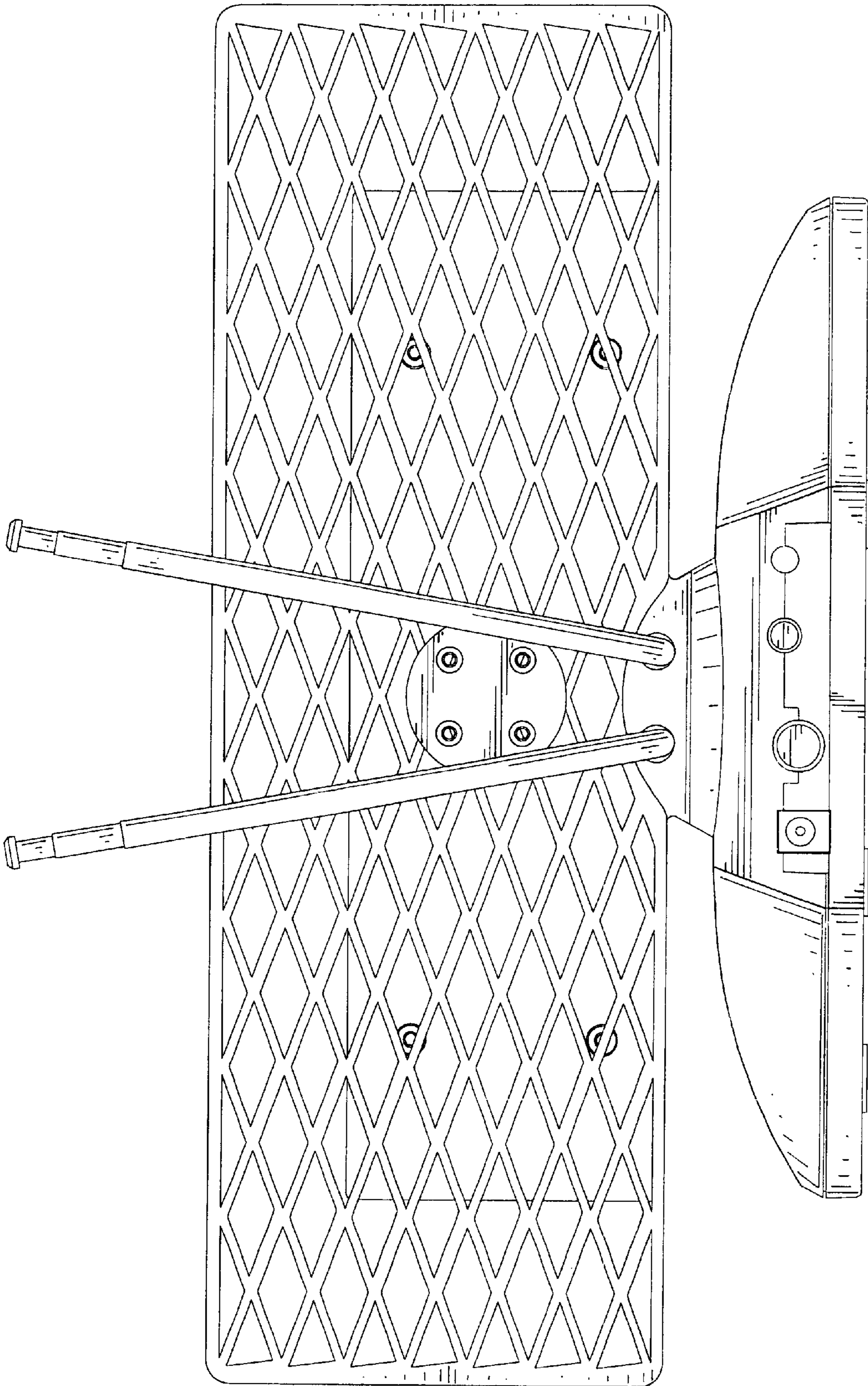


FIG. 3

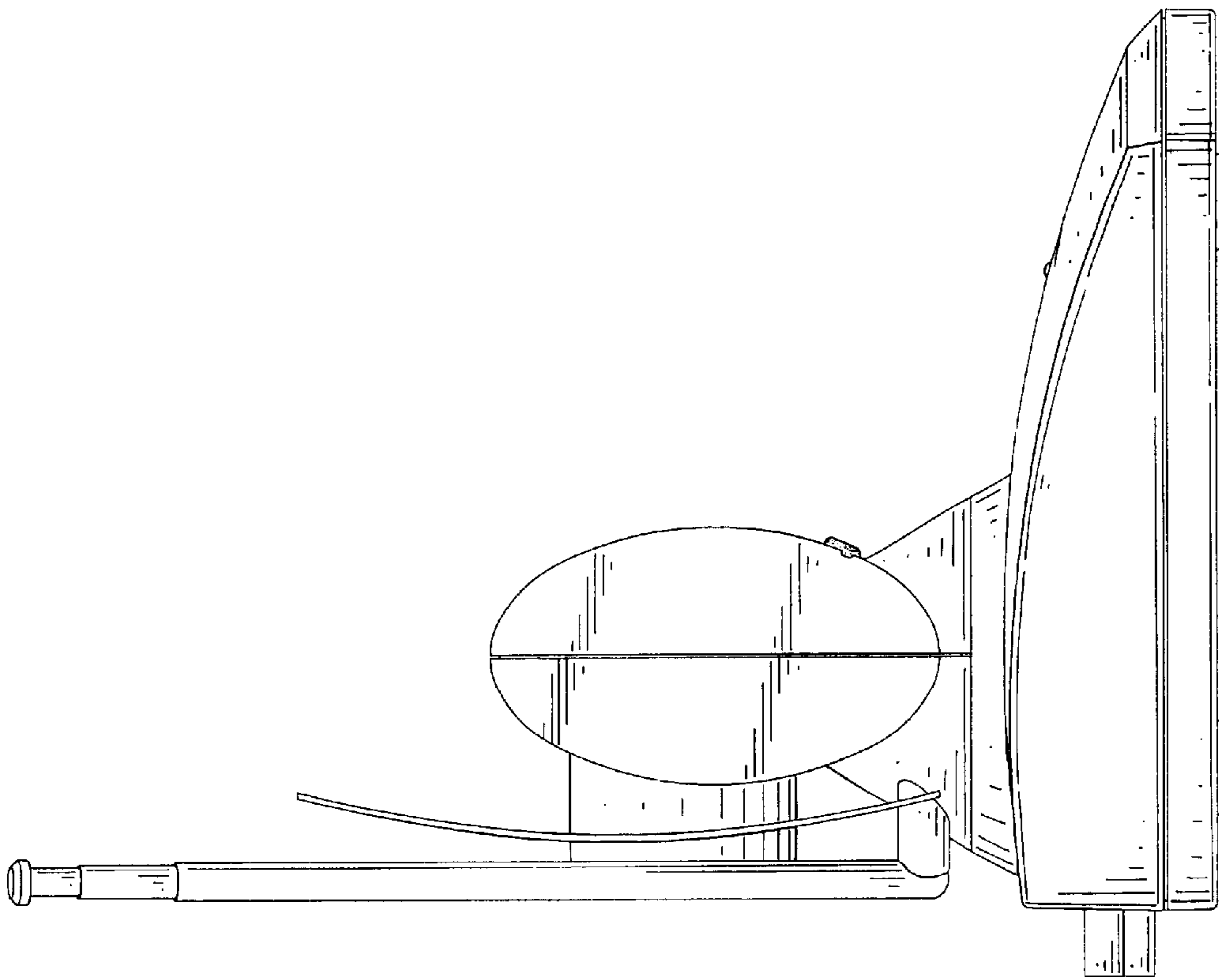


FIG. 4

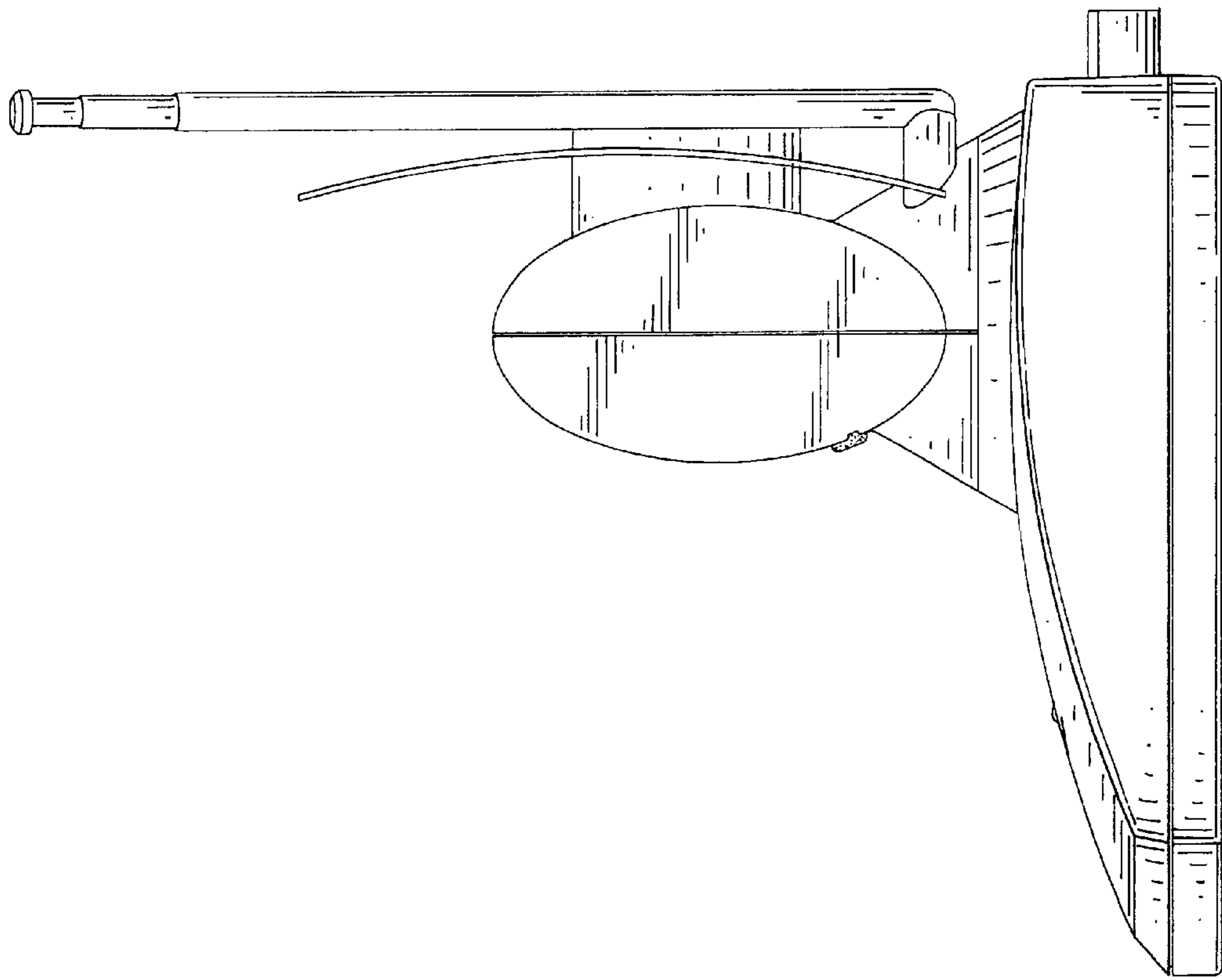


FIG. 5

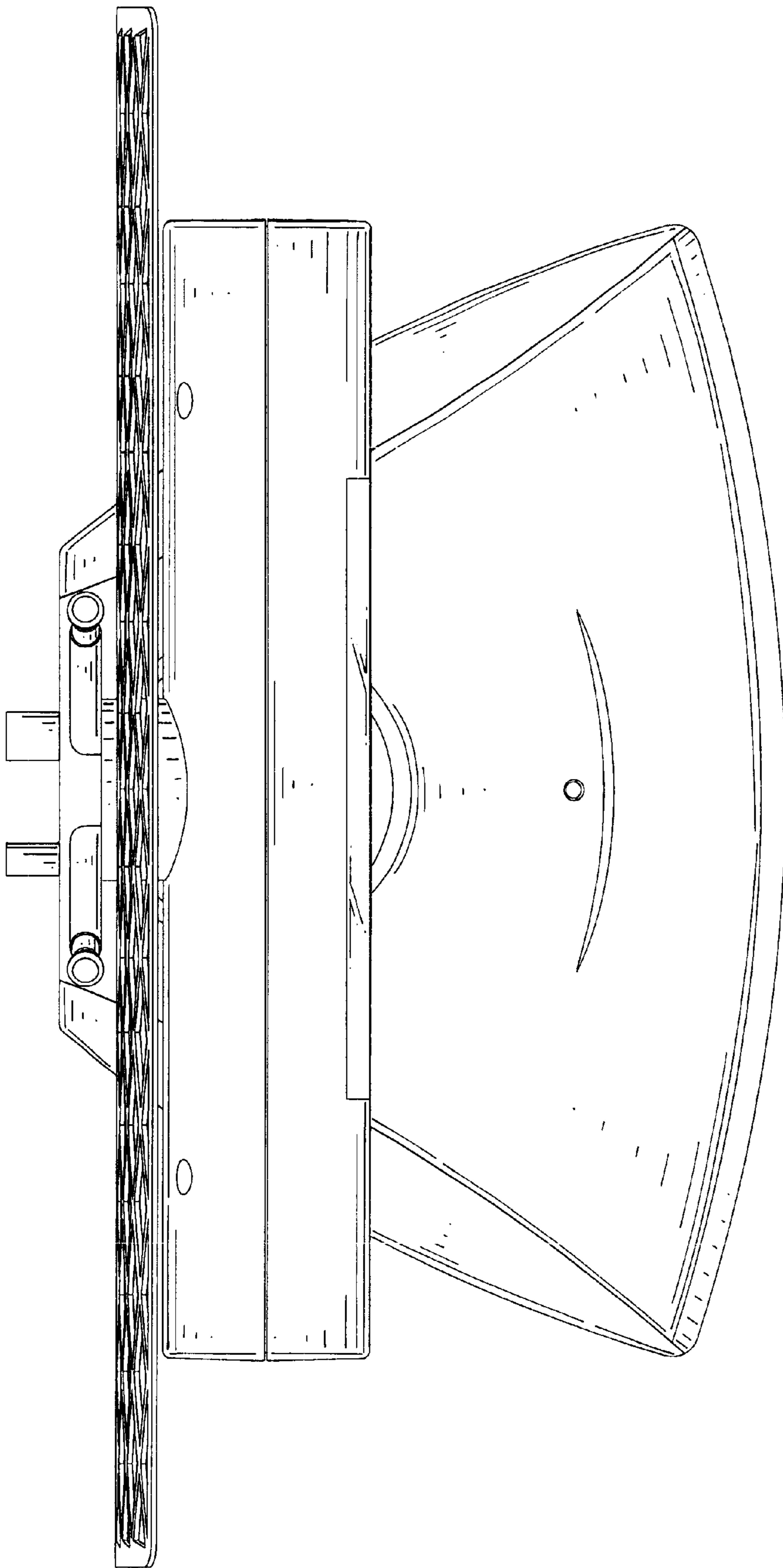


FIG. 6

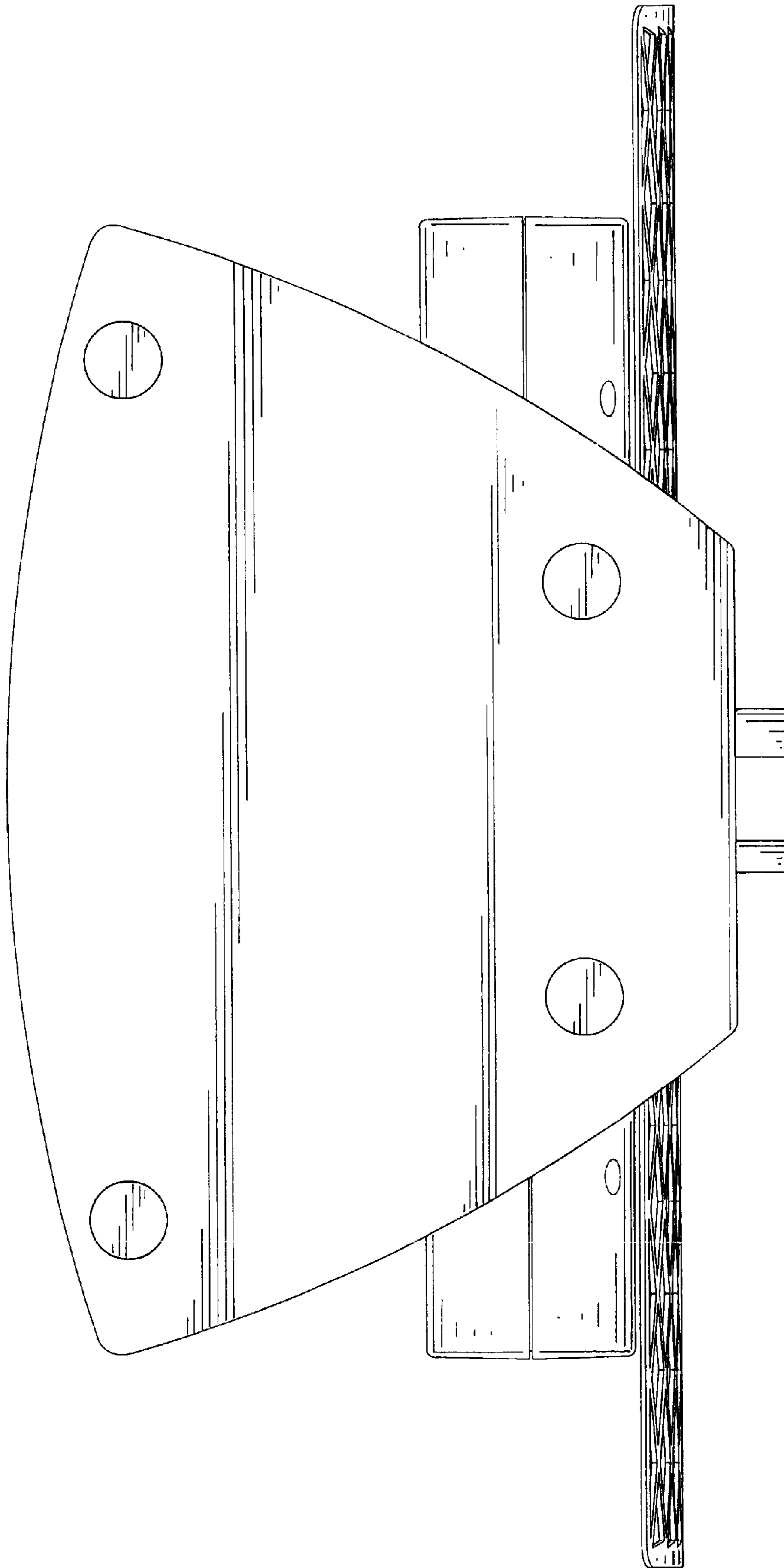


FIG. 7