



US00D481029S

(12) **United States Design Patent**
Noro

(10) **Patent No.:** **US D481,029 S**

(45) **Date of Patent:** **** Oct. 21, 2003**

(54) **LOOP ANTENNA**

(75) Inventor: **Junichi Noro, Akita (JP)**

(73) Assignee: **Mitsumi Electric Co., Ltd., Tokyo (JP)**

(**) Term: **14 Years**

(21) Appl. No.: **29/164,861**

(22) Filed: **Aug. 2, 2002**

(30) **Foreign Application Priority Data**

Feb. 4, 2002 (JP) 2002-002412

(51) **LOC (7) Cl.** **14-03**

(52) **U.S. Cl.** **D14/230**

(58) **Field of Search** D14/230, 233,
D14/238, 299; 343/895, 700 MS, 725, 741-744,
866, 867, 853, 855, 729, 728, 726, 872

(56) **References Cited**

U.S. PATENT DOCUMENTS

5,134,422 A * 7/1992 Auriol 343/895
6,121,929 A * 9/2000 Olson et al. 343/700 MS
6,166,702 A * 12/2000 Audenaerde et al. 343/795

6,229,488 B1 * 5/2001 Lin et al. 343/700 MS
6,285,322 B1 * 9/2001 Johannisson et al. 343/700 MS
6,559,804 B2 * 5/2003 Nakano et al. 343/700 MS
6,563,469 B2 * 5/2003 Miyata et al. 343/700 MS

* cited by examiner

Primary Examiner—Louis S. Zarfes

Assistant Examiner—Deanne Levy

(74) *Attorney, Agent, or Firm*—Sughrue Mion, PLLC

(57) **CLAIM**

The ornamental design for a loop antenna, as shown.

DESCRIPTION

FIG. 1 is a perspective view of the top, front and right side of a loop antenna showing my new design;
FIG. 2 is a perspective view of the bottom, rear and left side view thereof;
FIG. 3 is a front elevational view thereof;
FIG. 4 is a rear elevational view thereof;
FIG. 5 is a right side elevational view thereof;
FIG. 6 is a left side elevational view thereof;
FIG. 7 is a top plan view thereof; and,
FIG. 8 is a bottom plan view thereof.

1 Claim, 6 Drawing Sheets

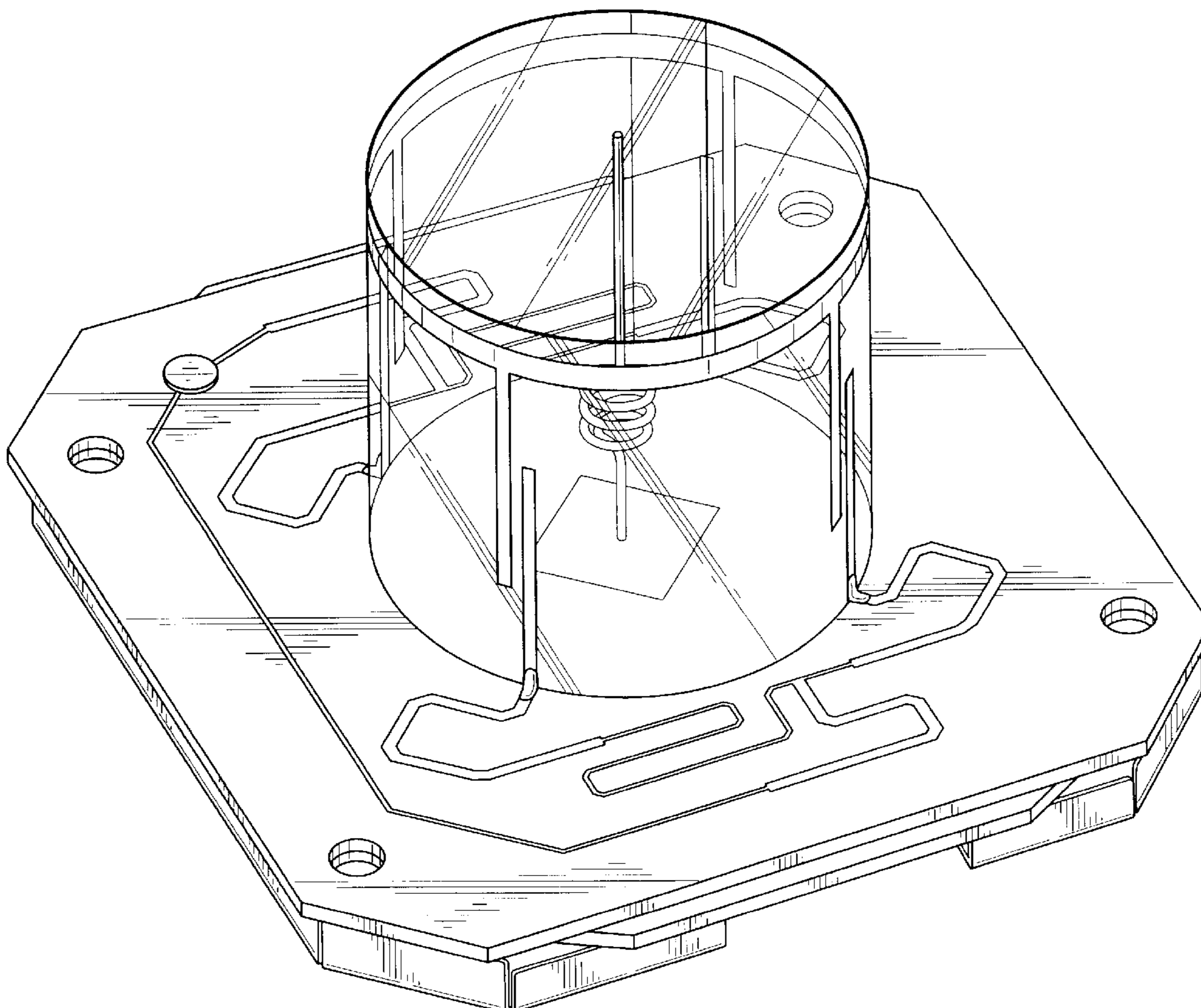


FIG. 1

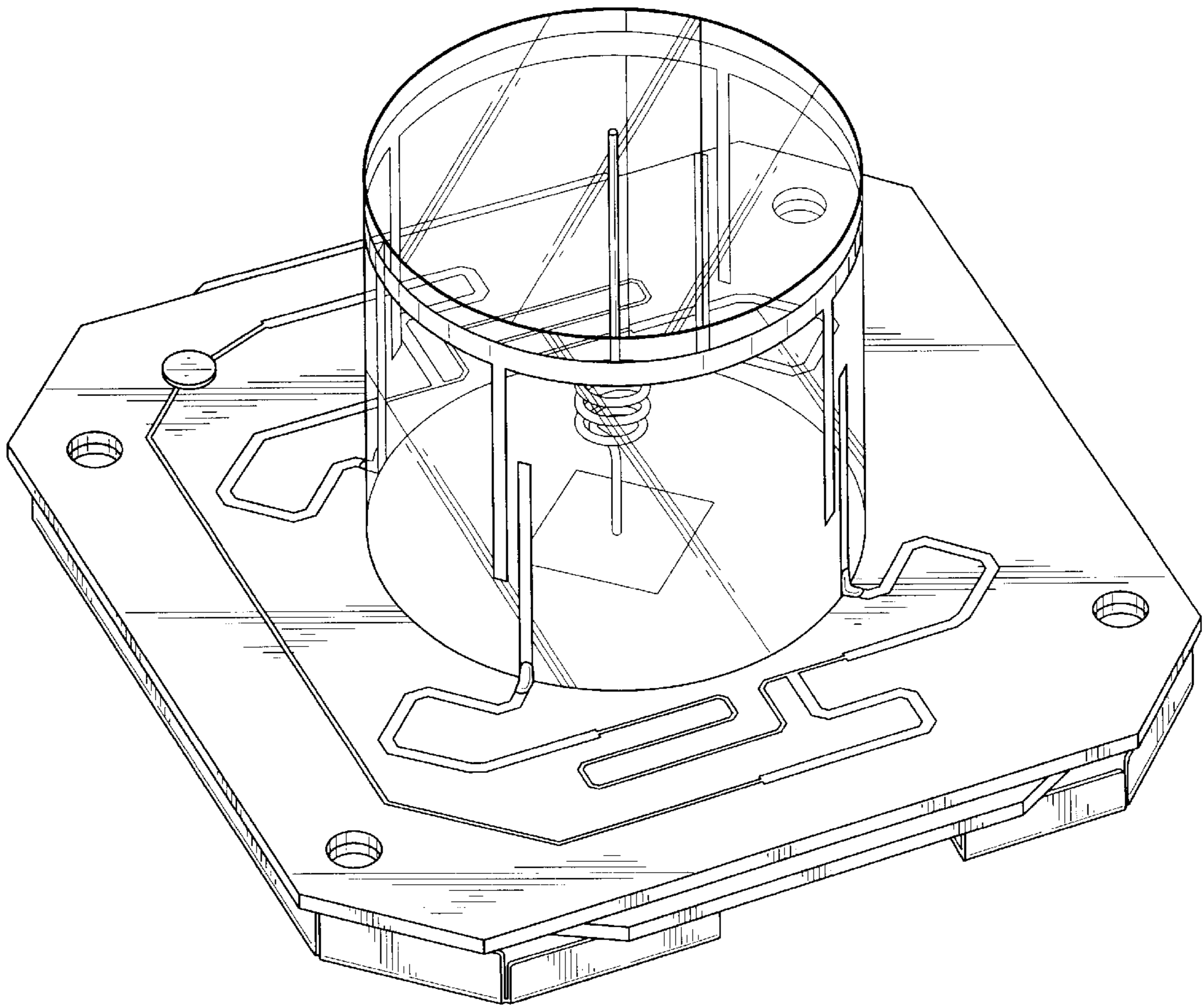


FIG. 2

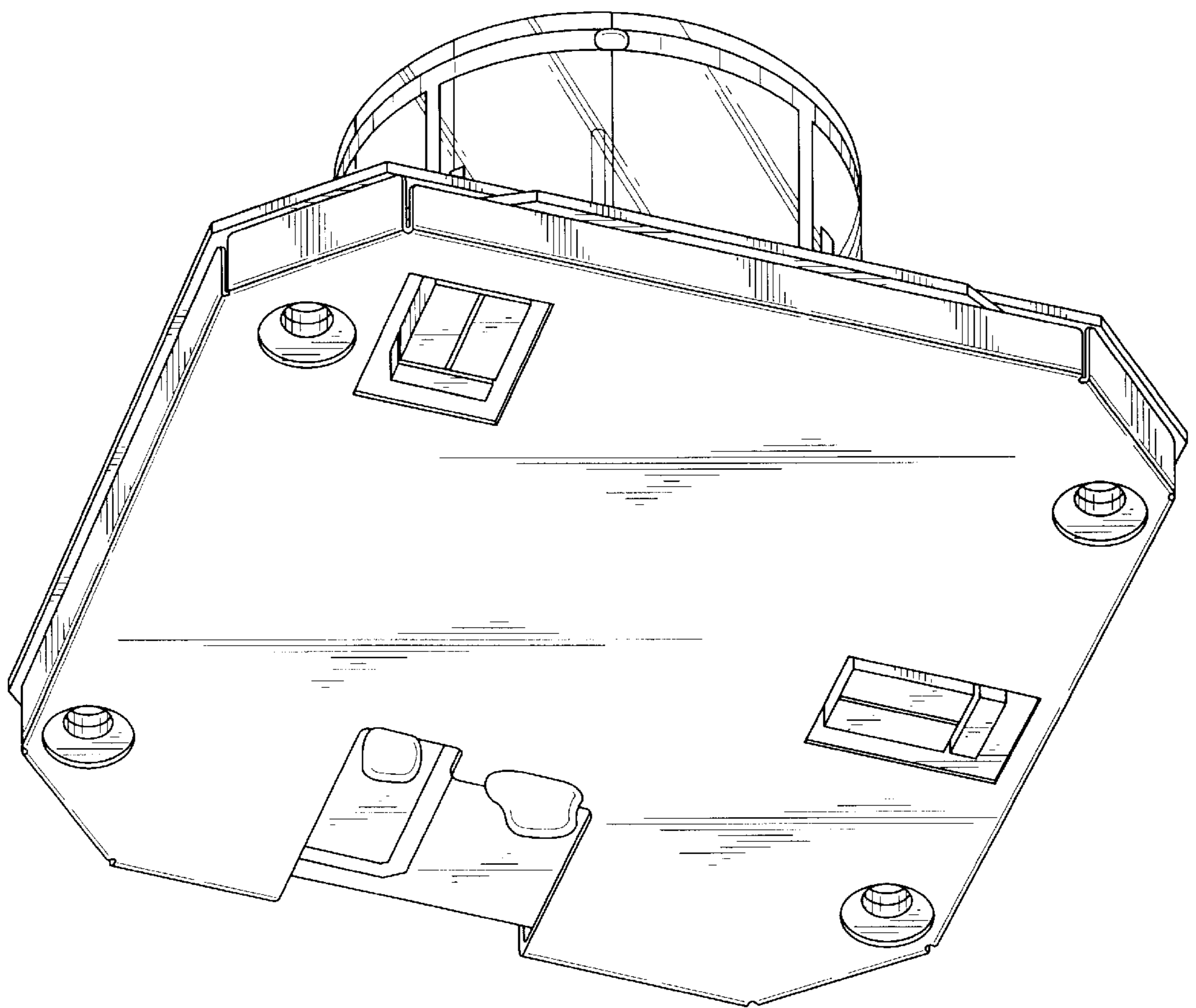


FIG. 3

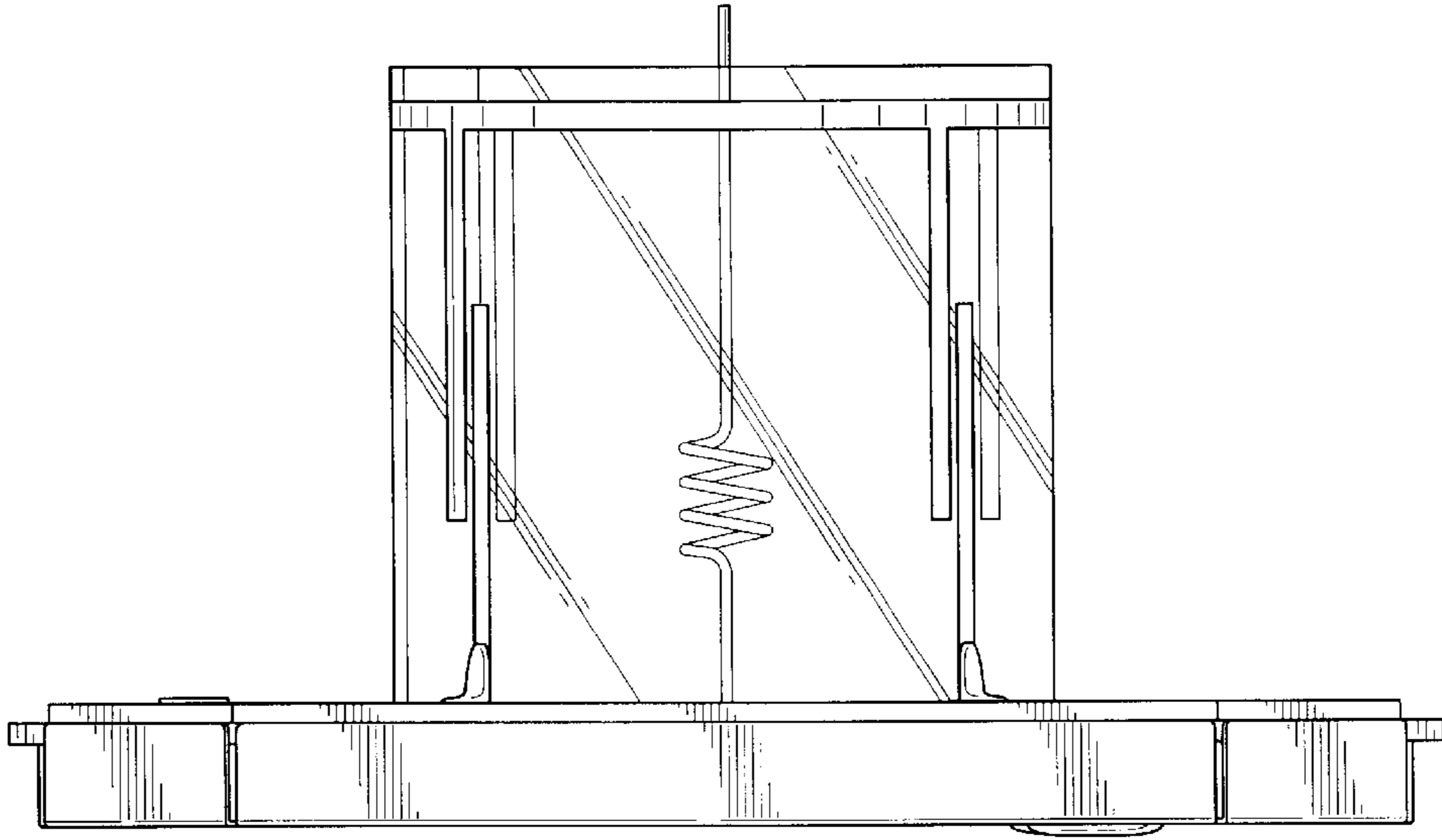


FIG. 4

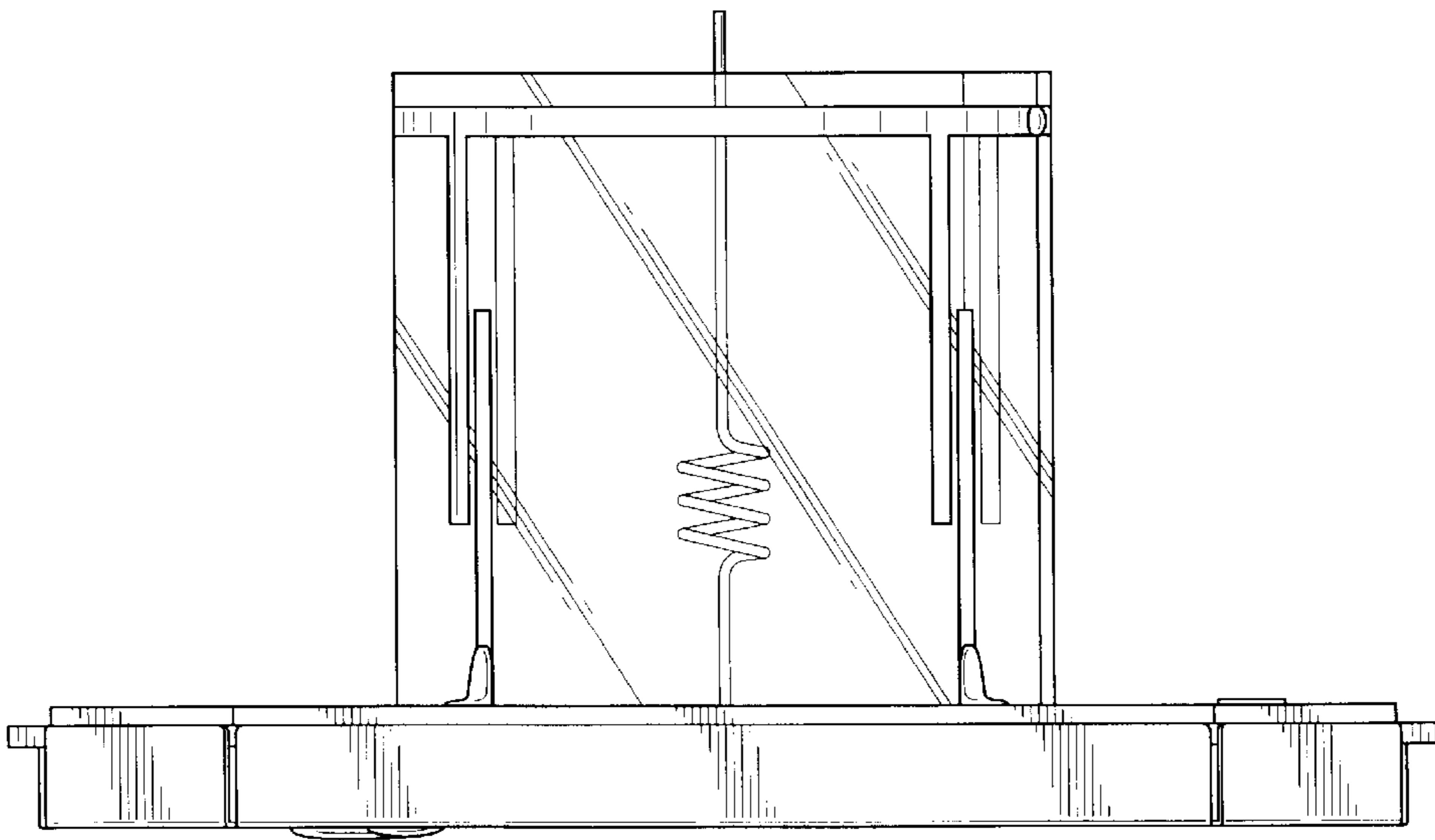


FIG. 5

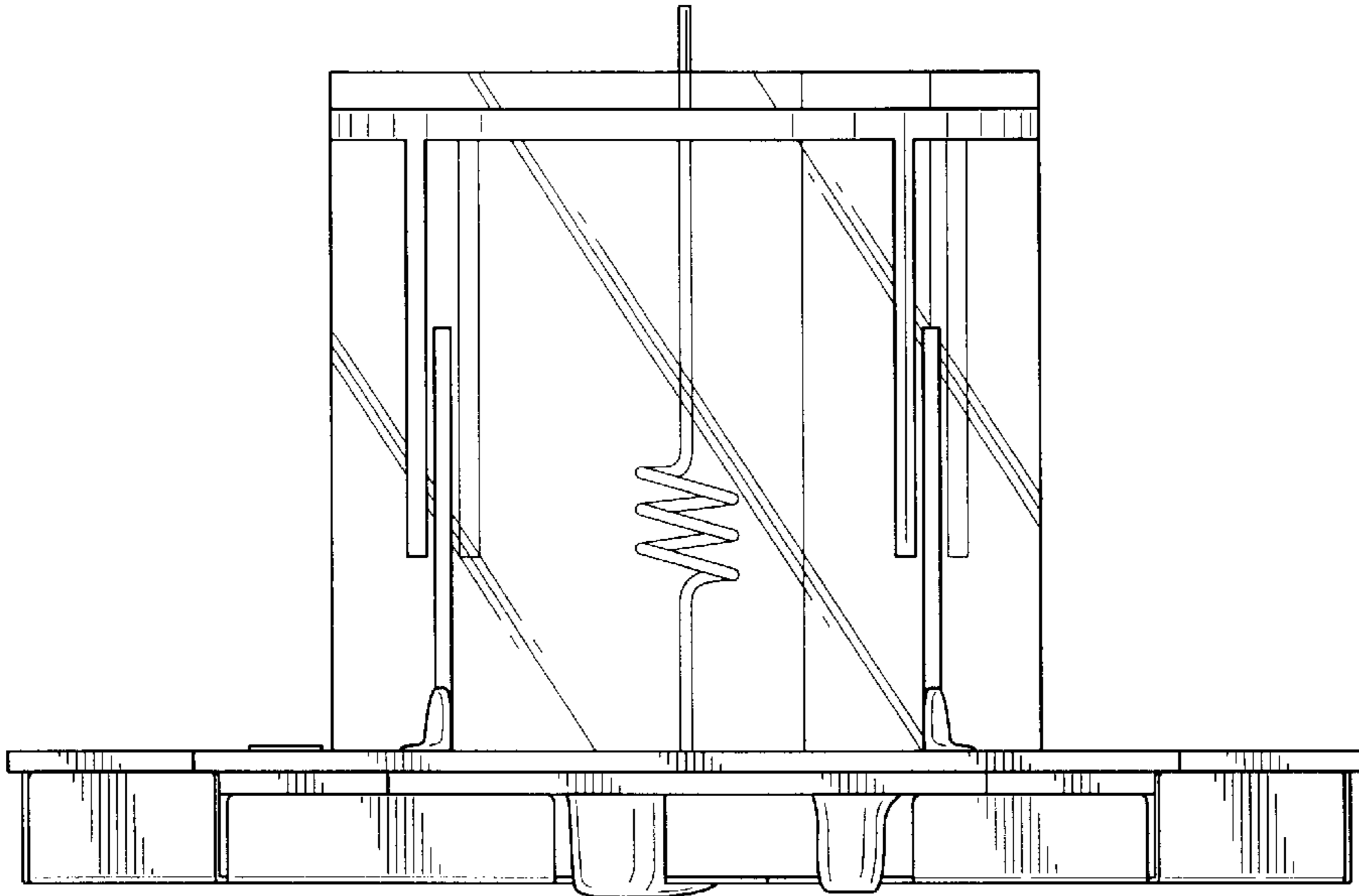


FIG. 6

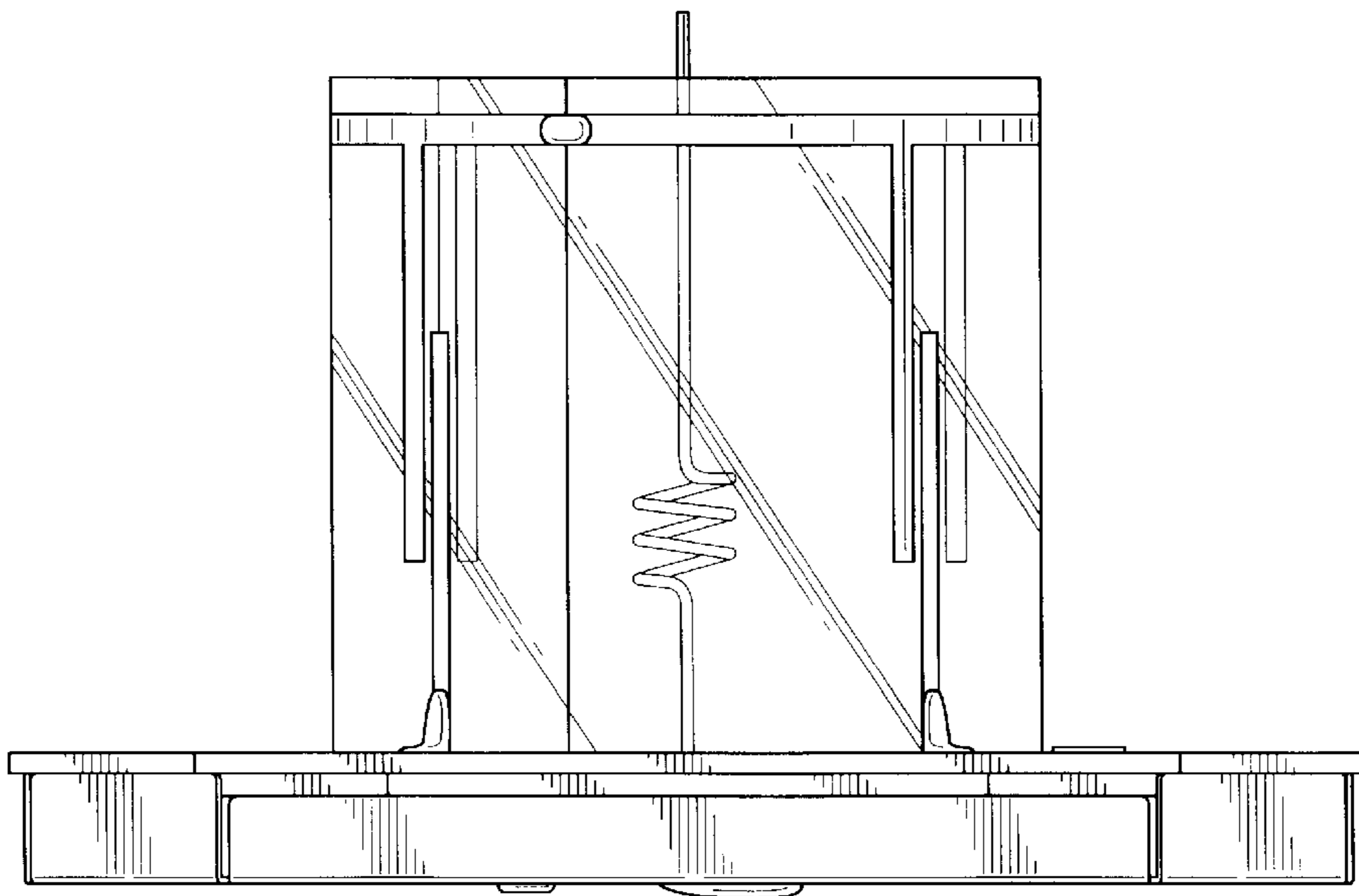


FIG. 7

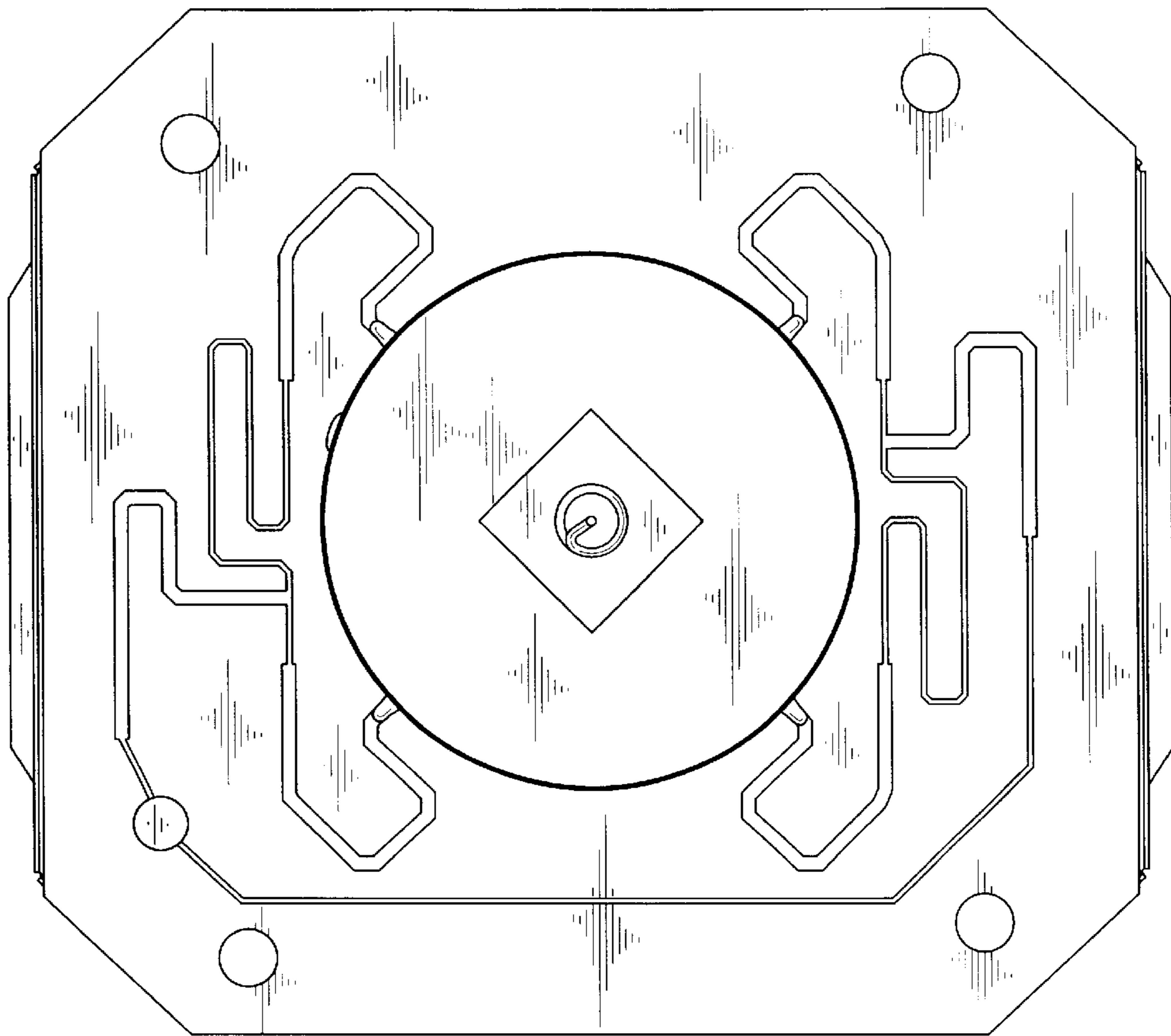


FIG. 8

