



US00D481023S

(12) **United States Design Patent**
Heath

(10) **Patent No.: US D481,023 S**

(45) **Date of Patent: ** Oct. 21, 2003**

(54) **SOUND TRANSMITTING DEVICE**

(75) Inventor: **Stephen Robert Heath**, Eindhoven (NL)

(73) Assignee: **Koninklijke Philips Electronics N.V.**, Eindhoven (NL)

(**) Term: **14 Years**

(21) Appl. No.: **29/159,658**

(22) Filed: **Apr. 25, 2002**

(30) **Foreign Application Priority Data**

Oct. 31, 2001 (WO) DMA/005 489

(51) **LOC (7) Cl. 14-03**

(52) **U.S. Cl. D14/137; D10/104**

(58) **Field of Search** D14/137, 144, D14/138, 218, 147-151, 215, 216, 247-249, 251-253, 240, 242, 341-347, 399, 426, 387, 429, 453, 197, 198, 189, 192, 193, 157, 194, 195, 196, 158; 379/433.01-433.13, 434, 419, 420.01-420.04, 428.01-428.02, 440, 435, 436; 455/550.01-90.3; D13/168; D18/2, 7; D21/517, 329, 331, 333; D10/104, 106, 65; 381/86

(56) **References Cited**

U.S. PATENT DOCUMENTS

D168,907 S	*	2/1953	Petzold	D14/195
D224,156 S	*	7/1972	Hunter	D14/195
4,899,135 A	*	2/1990	Ghahariiran	340/573
D306,589 S	*	3/1990	Murayama	D14/165
D309,119 S	*	7/1990	Kremitzki	D10/104
D310,218 S	*	8/1990	Murphy	D14/137
D310,523 S	*	9/1990	Hino et al.	D14/137
D321,882 S	*	11/1991	Huei	D14/196
D339,540 S	*	9/1993	Chapelsky	D10/106
D342,739 S	*	12/1993	Atkin et al.	D14/217
D348,663 S	*	7/1994	Grasso	D14/137
D348,879 S	*	7/1994	Shuler	D14/137
D359,281 S	*	6/1995	Grasso et al.	D14/137
D359,282 S	*	6/1995	Grasso et al.	D14/137
D371,781 S	*	7/1996	Nowak et al.	D14/137

D376,764 S	*	12/1996	Barnes	D10/104
D376,765 S	*	12/1996	Barnes	D10/104
D377,457 S	*	1/1997	Arney et al.	D10/104
D378,371 S	*	3/1997	Mak	D14/194
D380,759 S	*	7/1997	Lin	D14/215
D383,687 S	*	9/1997	Conrado et al.	D10/104
D386,703 S	*	11/1997	Nowak	D10/104
D394,652 S	*	5/1998	Greger	D14/137
D396,721 S	*	8/1998	Naganoma et al.	D14/195
D398,303 S	*	9/1998	Greger	D14/137
D410,205 S	*	5/1999	Ames et al.	D10/104
D413,827 S	*	9/1999	Fenner	D10/104
D415,159 S	*	10/1999	Nakano	D14/215
D417,215 S	*	11/1999	Kokkinis	D14/171
D424,560 S	*	5/2000	Heath	D14/159
D424,561 S	*	5/2000	Heath	D14/159
D424,958 S	*	5/2000	Nowak	D10/104
D428,866 S	*	8/2000	You	D14/137
D430,052 S	*	8/2000	Nowak	D10/104
D430,546 S	*	9/2000	Gibson	D14/137
D440,511 S	*	4/2001	Heath	D10/104
D440,899 S	*	4/2001	Heath	D10/104
D446,554 S	*	8/2001	Gautieri et al.	D21/405
D450,049 S	*	11/2001	Lacotta et al.	D14/171
D463,507 S	*	9/2002	Gautieri et al.	D21/405
D467,565 S	*	12/2002	Pesqueira et al.	D14/137
D467,566 S	*	12/2002	Mirabelli et al.	D14/137
D467,888 S	*	12/2002	Mirabelli et al.	D14/137
D467,911 S	*	12/2002	Lee	D14/243

* cited by examiner

Primary Examiner—Jeffrey Asch

(74) *Attorney, Agent, or Firm*—Ernestine C. Bartlett

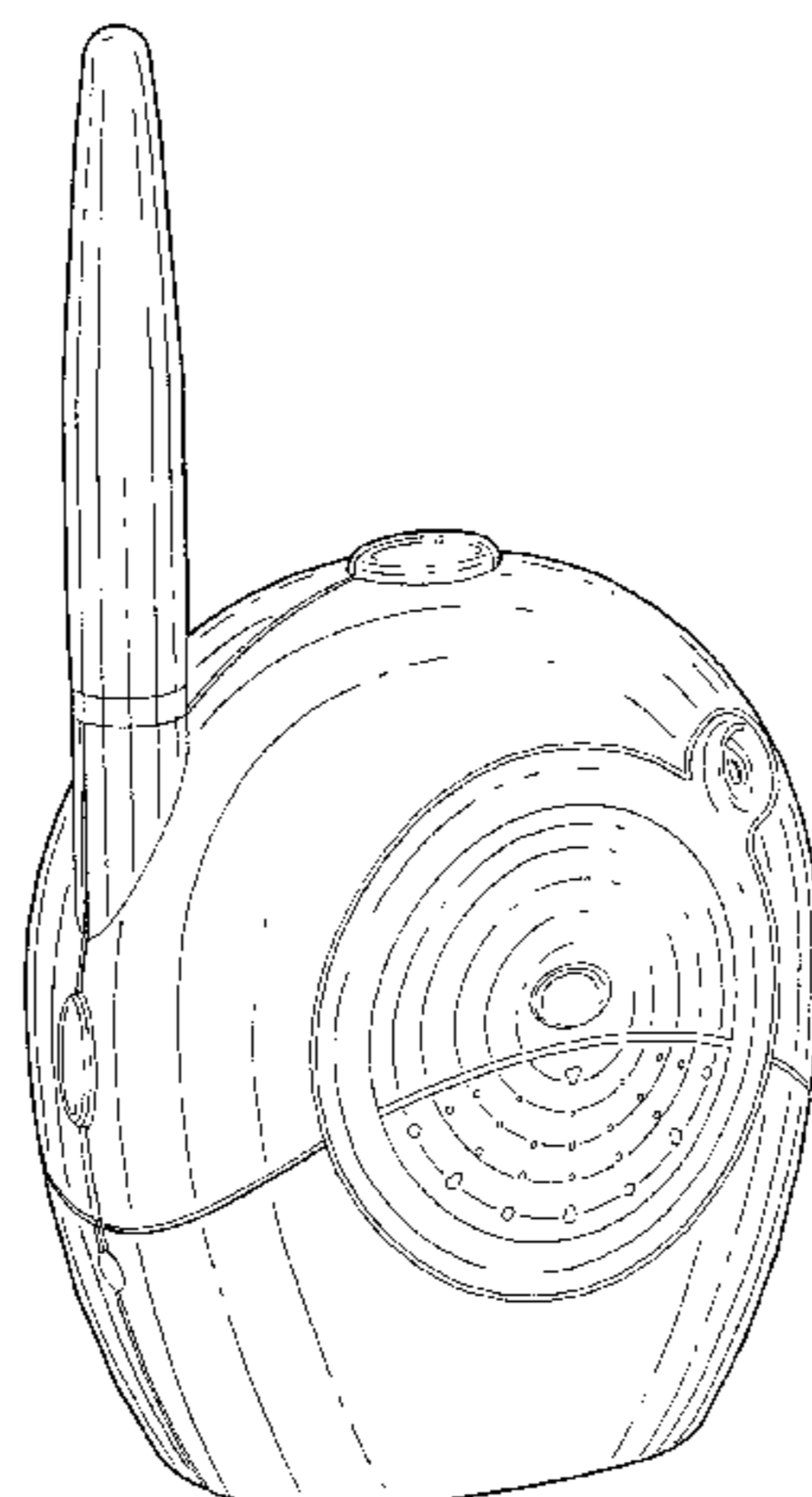
(57) **CLAIM**

The ornamental design for a sound transmitting device, as shown.

DESCRIPTION

FIG. 1 is a perspective showing my design;
FIG. 2 is a front elevational view thereof;
FIG. 3 is a rear elevational view thereof;
FIG. 4 is a left side elevational view thereof;
FIG. 5 is a right side elevational view thereof;
FIG. 6 is a top plan view thereof; and,
FIG. 7 is a bottom plan view thereof.

1 Claim, 5 Drawing Sheets



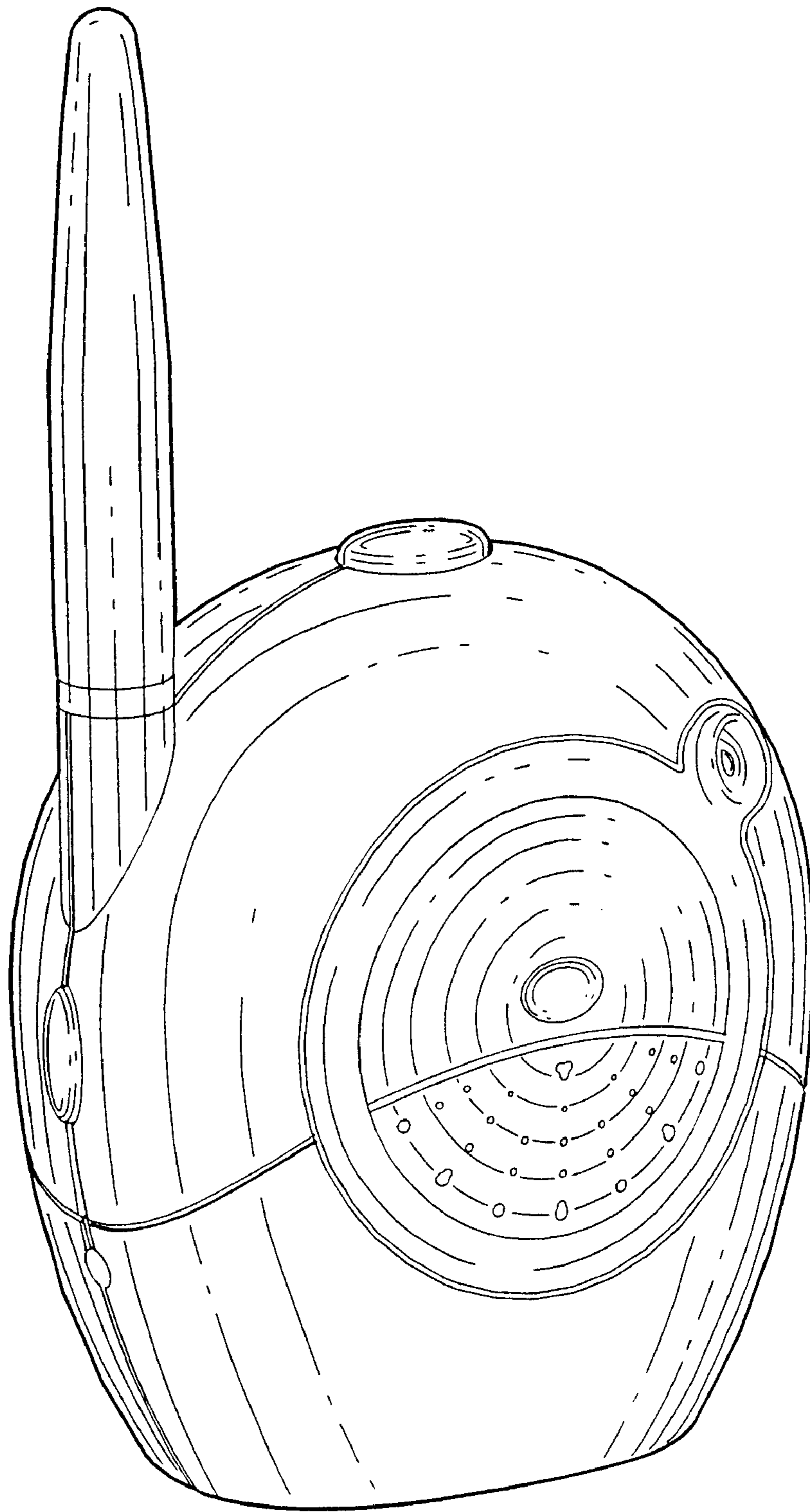


FIG. 1

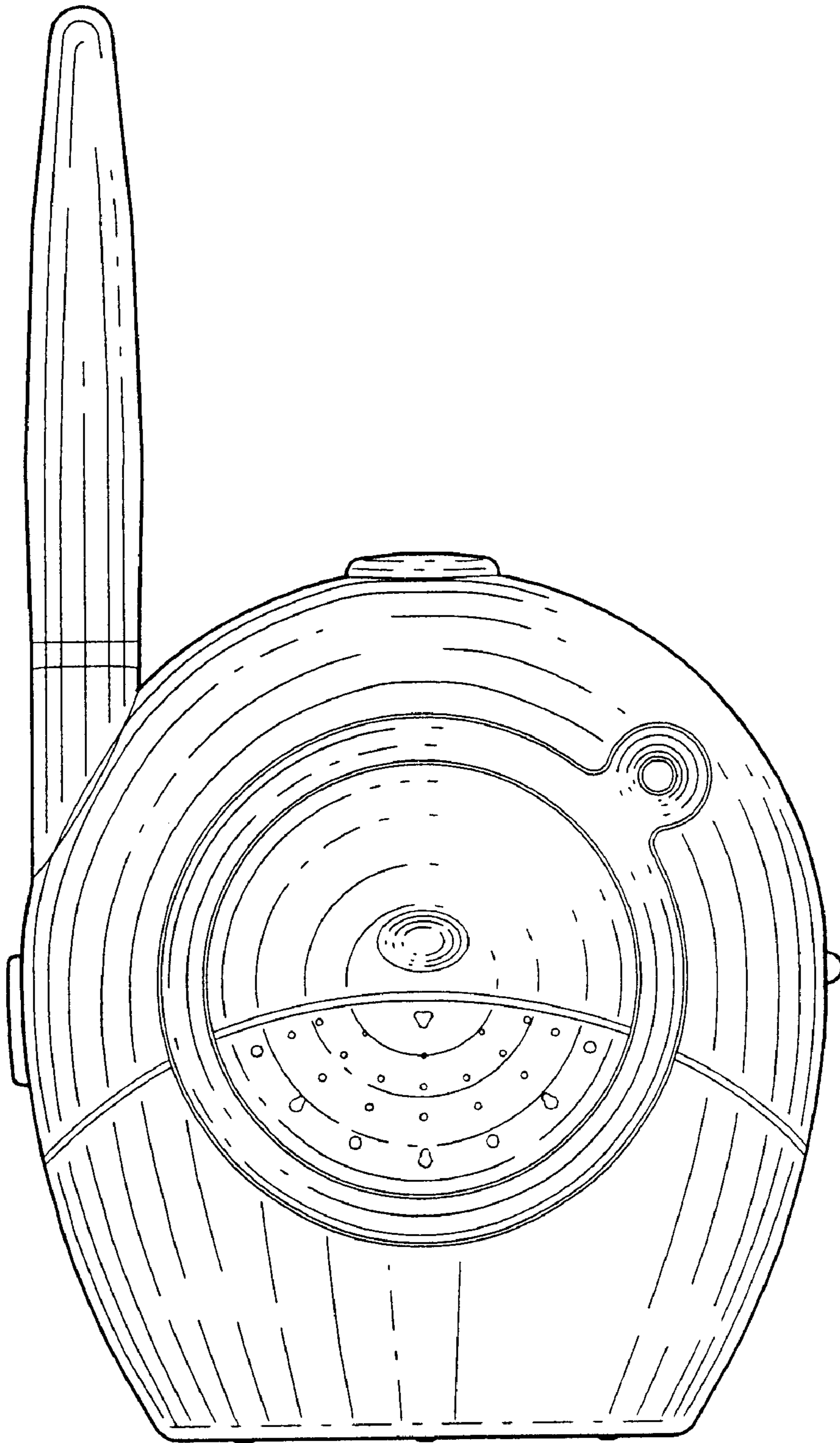


FIG.2

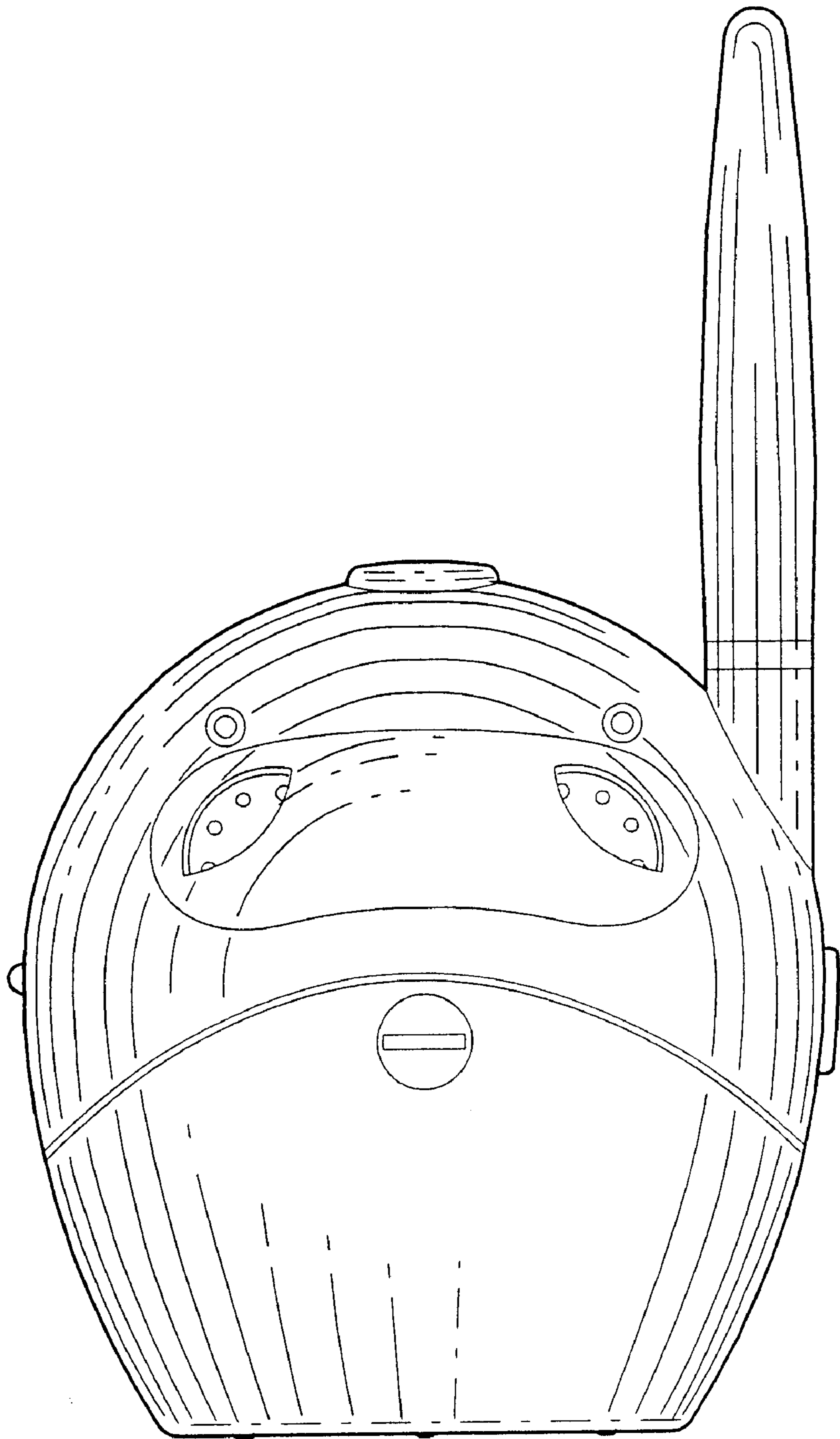


FIG. 3

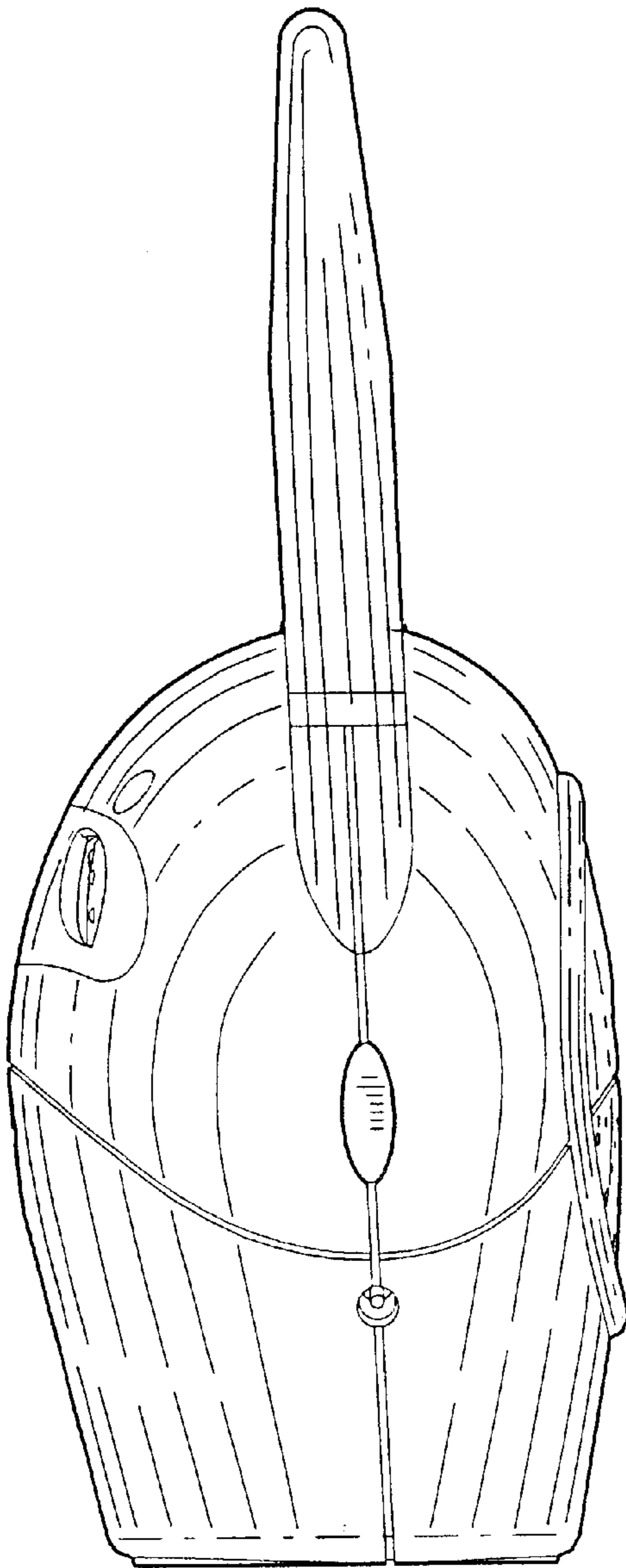


FIG. 4

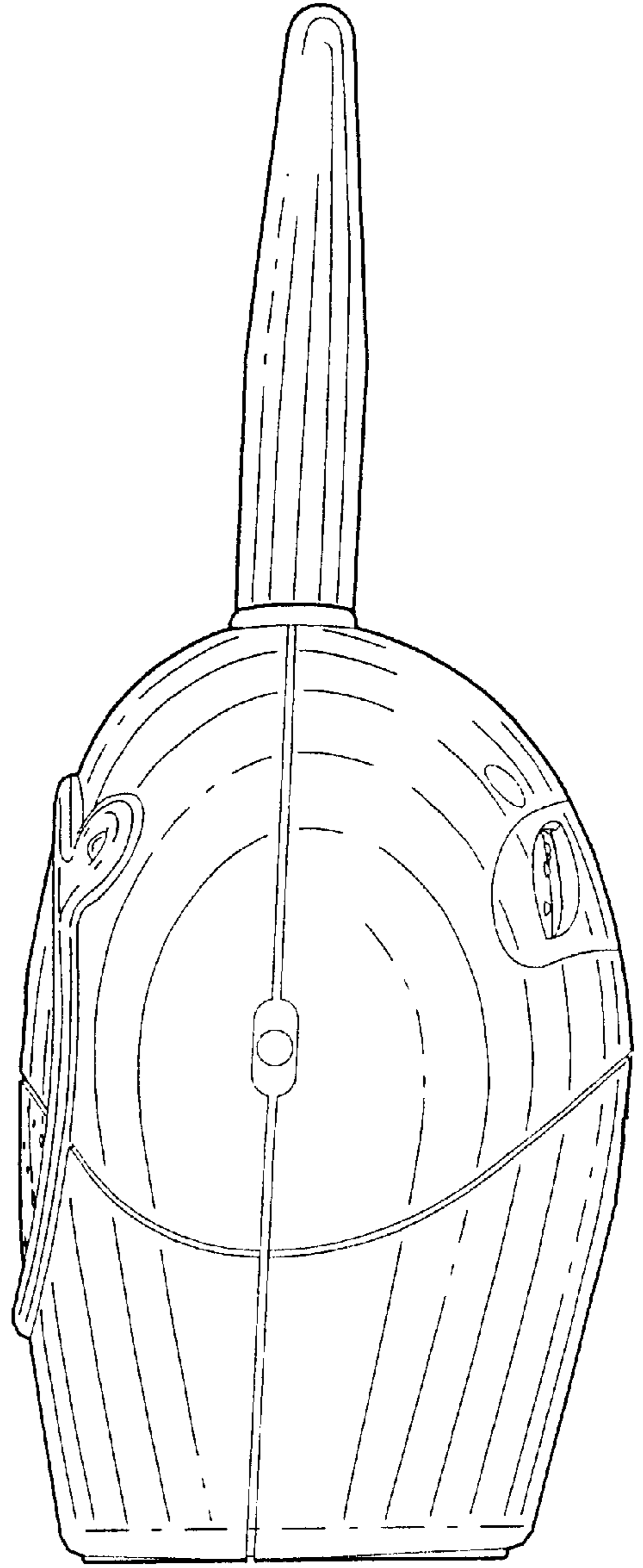


FIG. 5

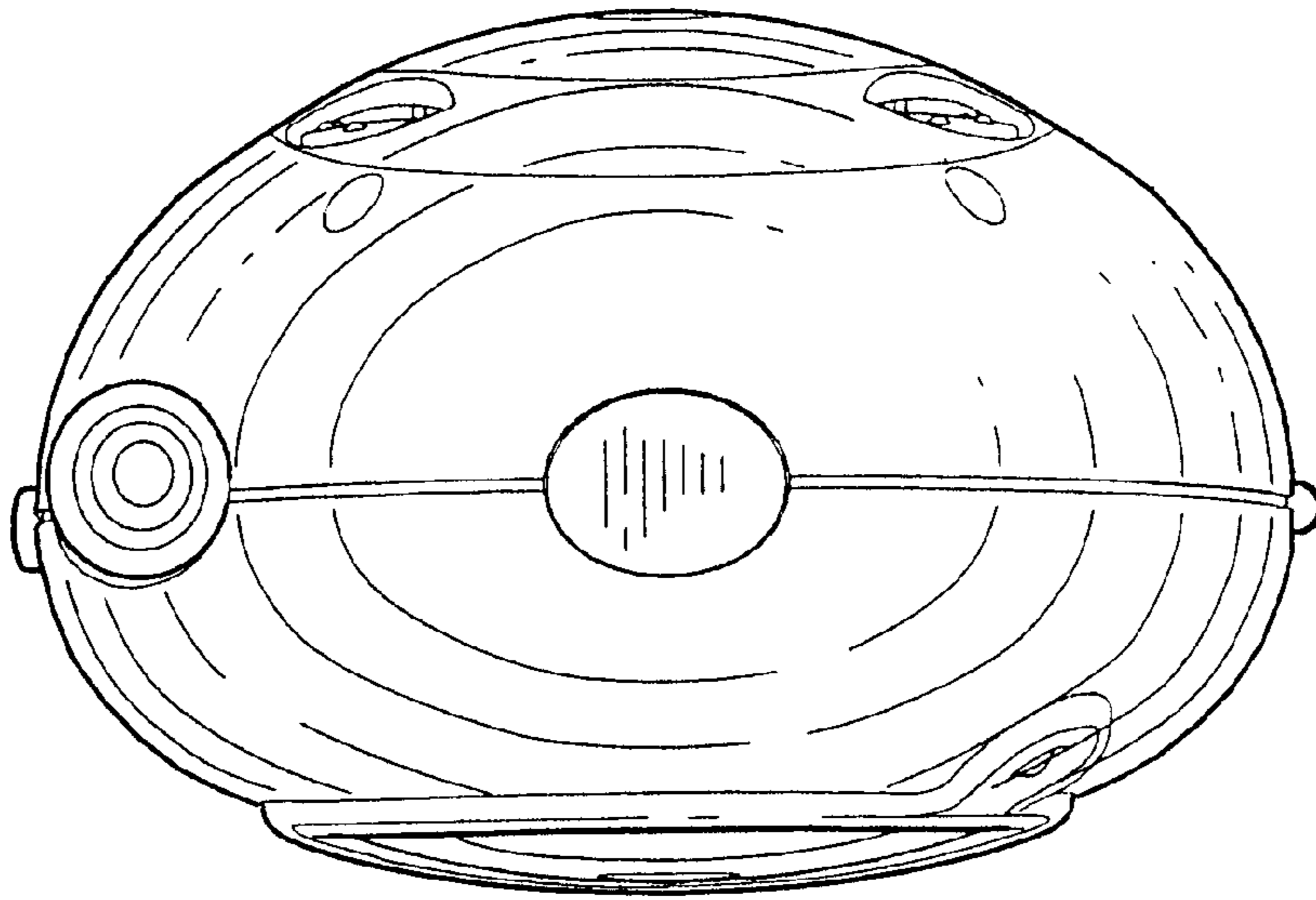


FIG. 6

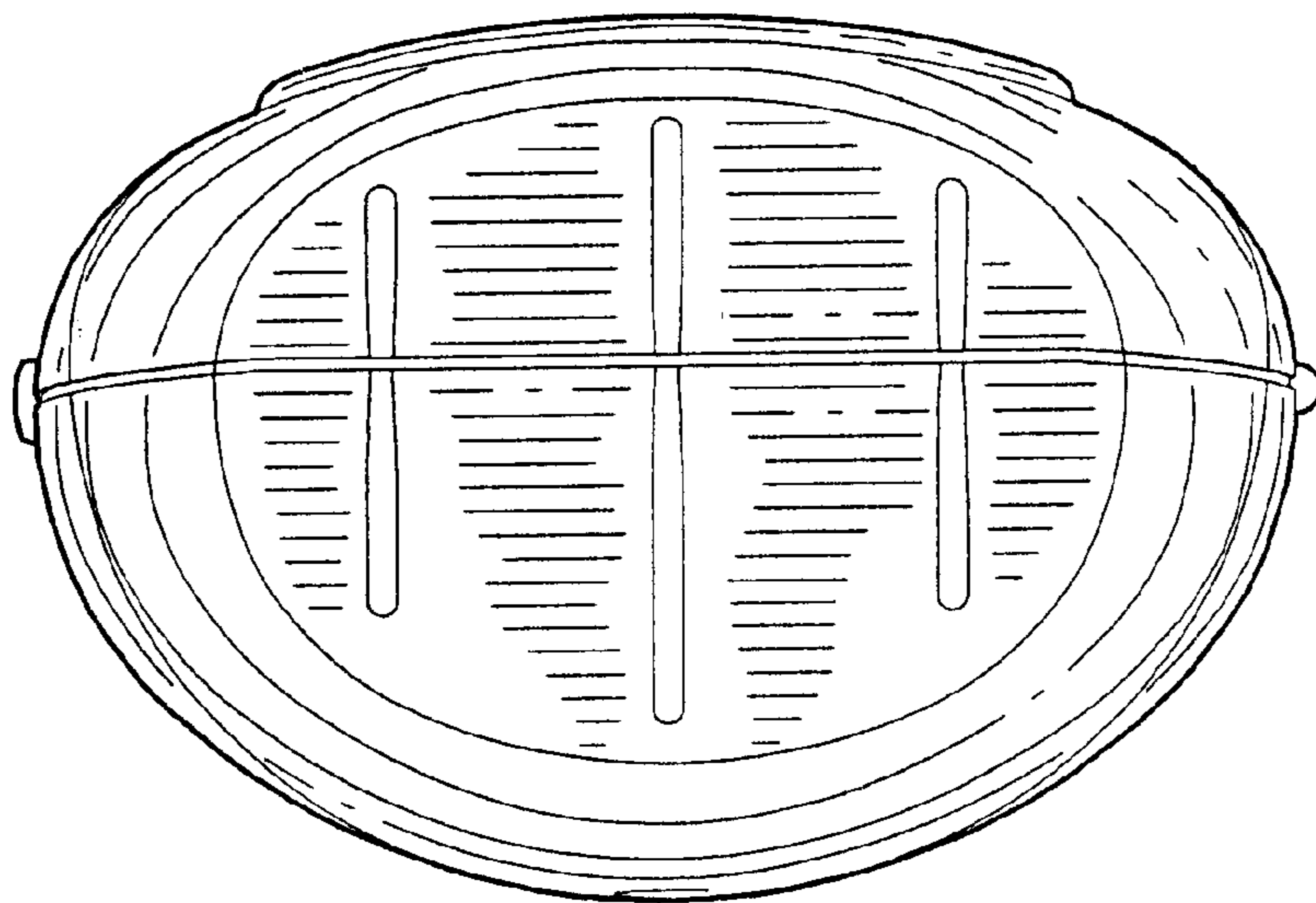


FIG. 7