



US00D481012S

(12) **United States Design Patent**
Eck

(10) **Patent No.:** **US D481,012 S**

(45) **Date of Patent:** **** Oct. 21, 2003**

- (54) **BOOT**
- (76) **Inventor:** **Gary A. Eck**, P.O. Box 6, Walkerton,
IN (US) 46574
- (**) **Term:** **14 Years**
- (21) **Appl. No.:** **29/170,228**
- (22) **Filed:** **Nov. 1, 2002**
- (51) **LOC (7) Cl.** **13-03**
- (52) **U.S. Cl.** **D13/156**
- (58) **Field of Search** D8/356, 383; D13/133,
D13/155, 156, 129, 130, 131, 132, 150;
174/74 R, 77 R, 89; 439/296, 310, 345,
347, 367, 369, 370, 519, 521, 527, 528,
533, 599

- 5,366,315 A * 11/1994 Hartley 403/326
- D368,250 S * 3/1996 Castaldo D13/156
- 5,886,294 A * 3/1999 Scrimshire et al. 174/35 R
- 5,895,890 A * 4/1999 Uchiyama et al. 174/77 R
- 6,302,712 B1 * 10/2001 Delsole 439/125

* cited by examiner

Primary Examiner—Doris V. Coles
Assistant Examiner—Elizabeth A. Albert
(74) *Attorney, Agent, or Firm*—Botkin & Hall, LLP

- (56) **References Cited**
- U.S. PATENT DOCUMENTS**
- D214,446 S * 6/1969 Oprins D13/150
- D251,781 S * 5/1979 Hutton D13/133
- 4,350,841 A * 9/1982 Scott D13/150
- D294,486 S * 3/1988 Opitz D13/156
- D315,143 S * 3/1991 Blaha D13/150
- D331,567 S * 12/1992 Braga et al. D13/156

(57) **CLAIM**
The ornamental design for a boot, as shown and described.
DESCRIPTION

FIG. 1 is a rear perspective view of the boot showing my new design;
FIG. 2 is a left side elevational view thereof, the right side elevational view being a mirror image thereof;
FIG. 3 is a rear end view thereof as seen from the right of FIG. 2;
FIG. 4 is a top plan view thereof, the bottom plan view being a mirror image thereof; and,
FIG. 5 is a front end view thereof as seen from the right of FIG. 4.

1 Claim, 1 Drawing Sheet

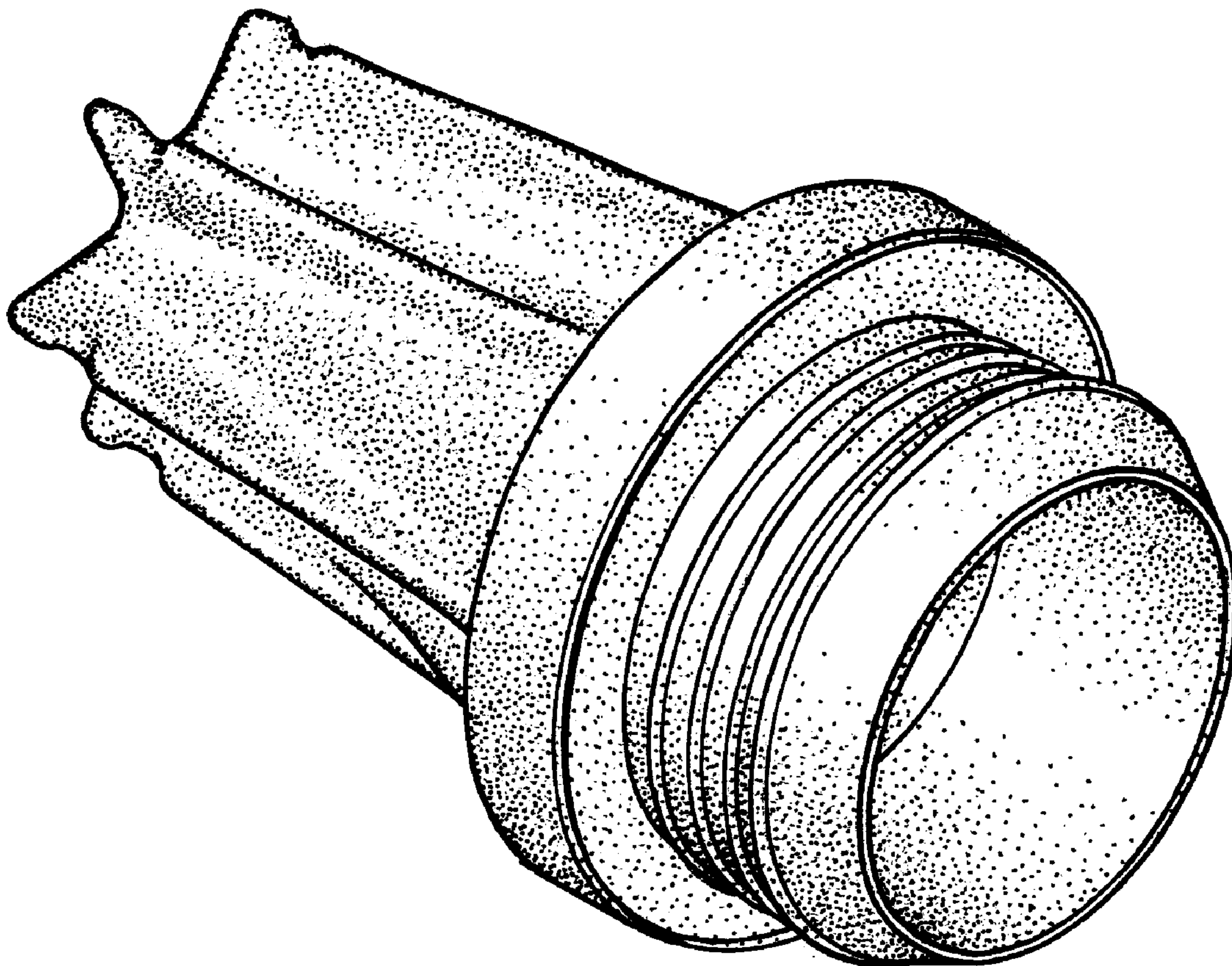


FIG. 1

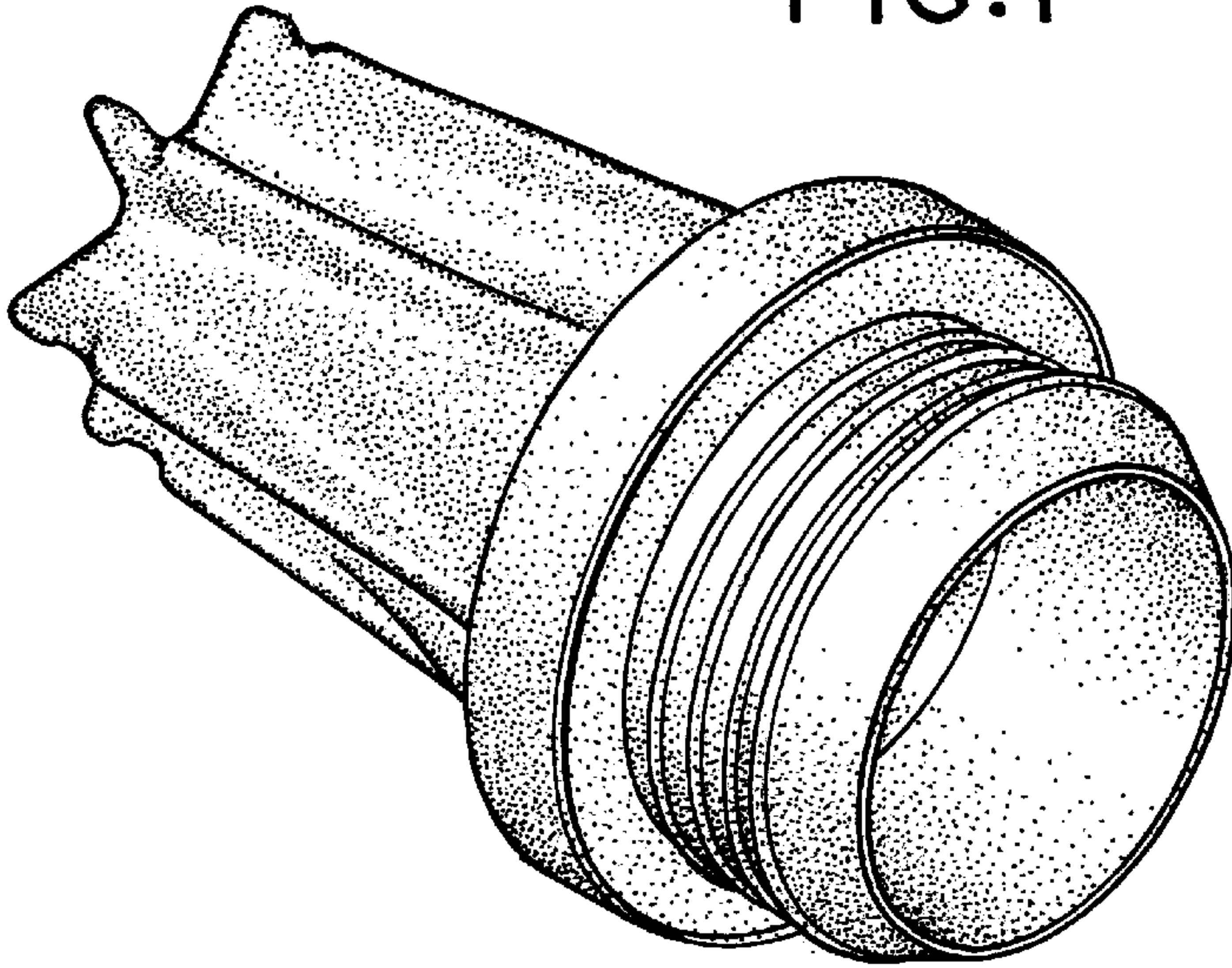


FIG. 2

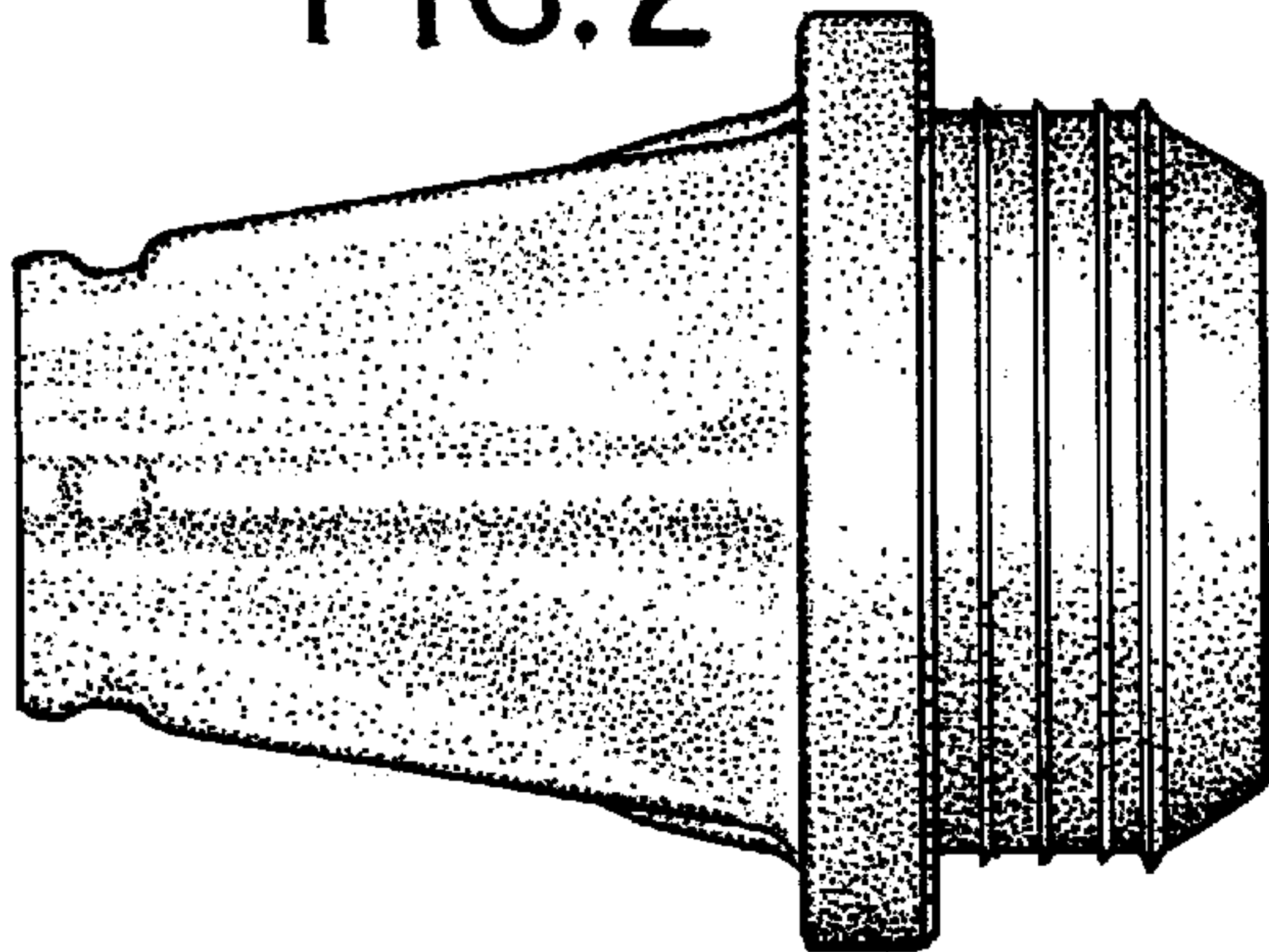


FIG. 3

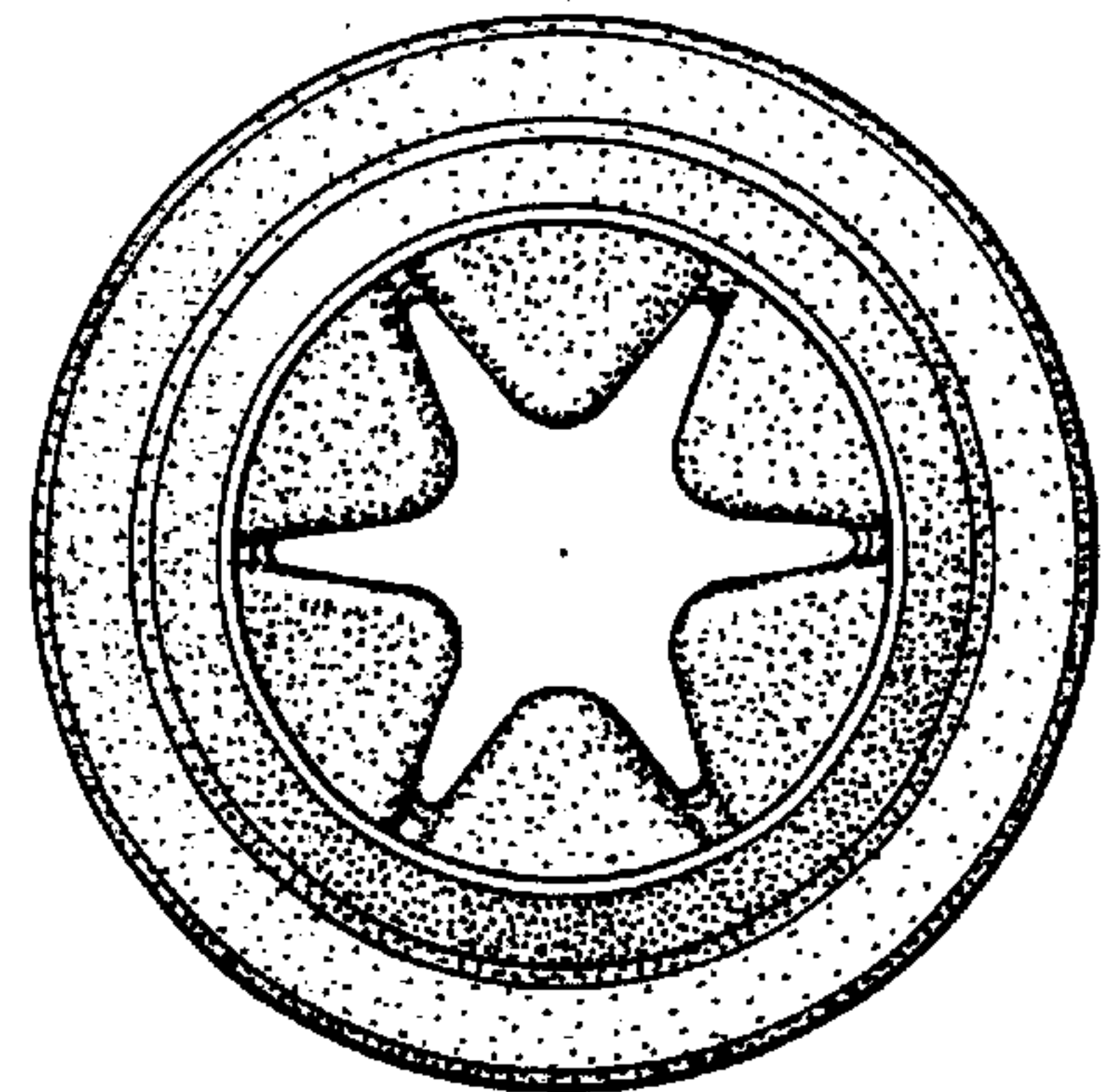


FIG. 4

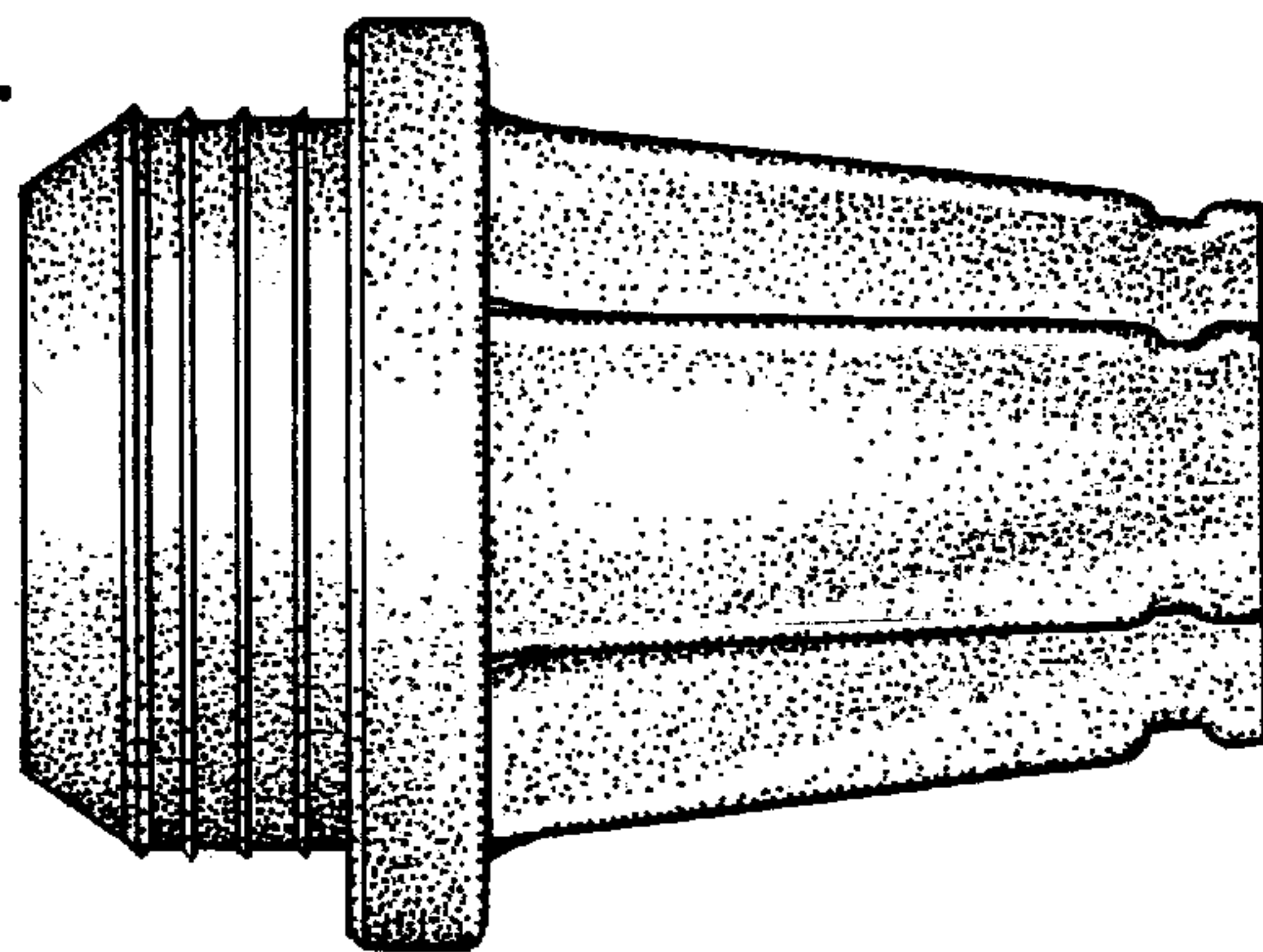


FIG. 5

