



US00D481011S

(12) **United States Design Patent**
Su

(10) **Patent No.:** **US D481,011 S**

(45) **Date of Patent:** **** Oct. 21, 2003**

(54) **IN-LINE COUPLER**

(75) Inventor: **Gordon Su**, Taipei (TW)

(73) Assignee: **Hsing Chau Industrial Co., Ltd.**,
Taipei (TW)

(**) Term: **14 Years**

(21) Appl. No.: **29/174,996**

(22) Filed: **Jan. 29, 2003**

(51) **LOC (7) Cl.** **13-03**

(52) **U.S. Cl.** **D13/147**

(58) **Field of Search** D13/147; 439/607,
439/610, 676, 941, 942, 552, 555

(56) **References Cited**

U.S. PATENT DOCUMENTS

4,602,842	A	*	7/1986	Free et al.	439/676	X
4,904,209	A	*	2/1990	Nelson	439/676	
5,586,914	A	*	12/1996	Foster, Jr. et al.	439/676	
5,791,943	A	*	8/1998	Lo et al.	439/676	
D400,178	S	*	10/1998	Liu	D13/147	
5,938,479	A	*	8/1999	Paulson et al.	439/676	

5,947,761	A	*	9/1999	Pepe	439/942	X
D418,112	S	*	12/1999	Lin	D13/147	
6,142,828	A	*	11/2000	Pepe	439/610	
D458,591	S	*	6/2002	Chang	D13/147	

* cited by examiner

Primary Examiner—Joel Sincavage

(74) *Attorney, Agent, or Firm*—Troxell Law Office PLLC

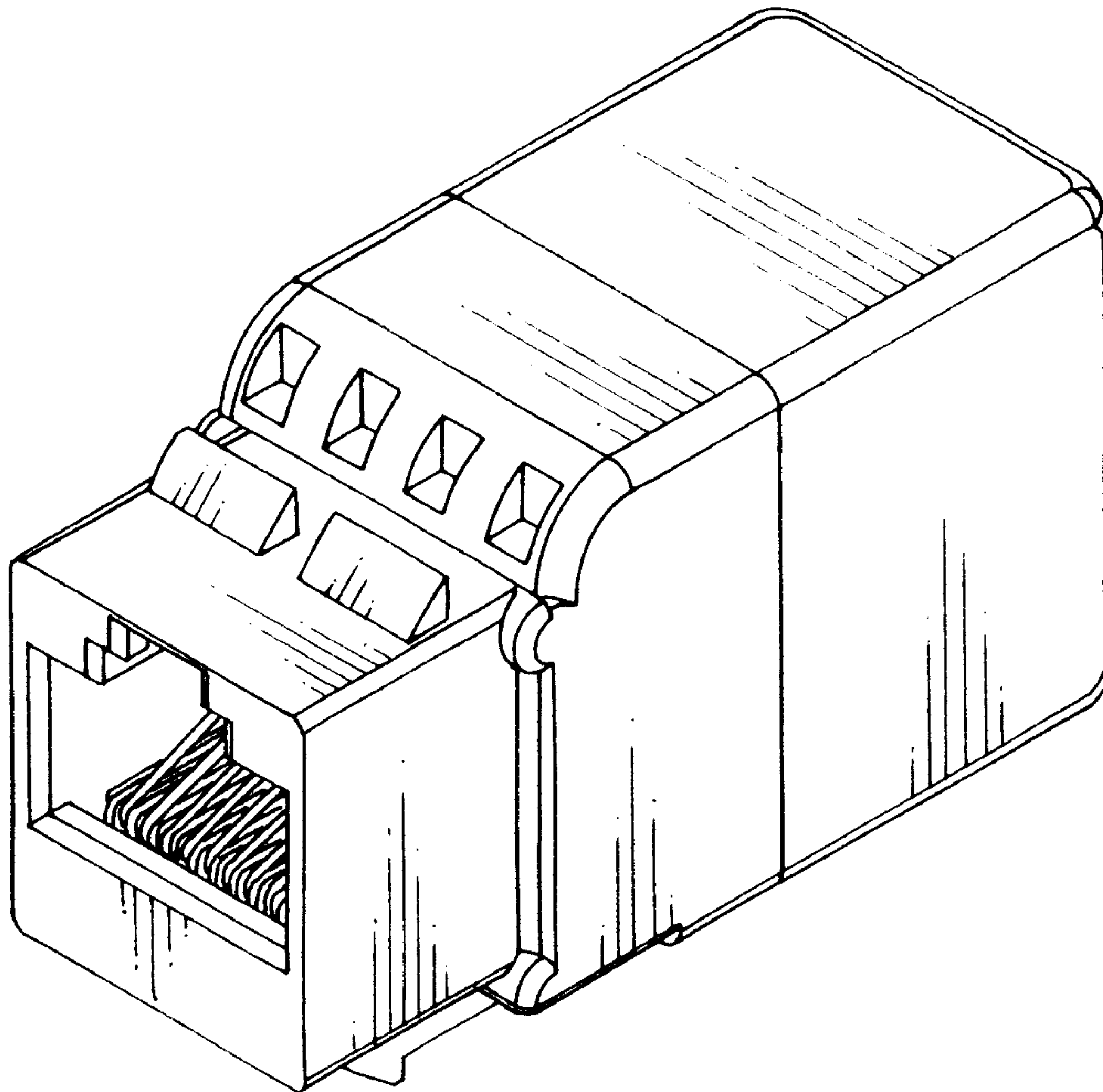
(57) **CLAIM**

The ornamental design for in-line coupler, as shown and described.

DESCRIPTION

FIG. 1 is a perspective view of an in-line coupler showing my new design;
 FIG. 2 is a front elevational view thereof;
 FIG. 3 is a rear elevational view thereof;
 FIG. 4 is a top plan view thereof;
 FIG. 5 is a bottom pan view thereof;
 FIG. 6 is a left right side elevational view thereof, the opposite side being a mirror image of that shown; and,
 FIG. 7 illustrates another perspective view thereof.

1 Claim, 5 Drawing Sheets



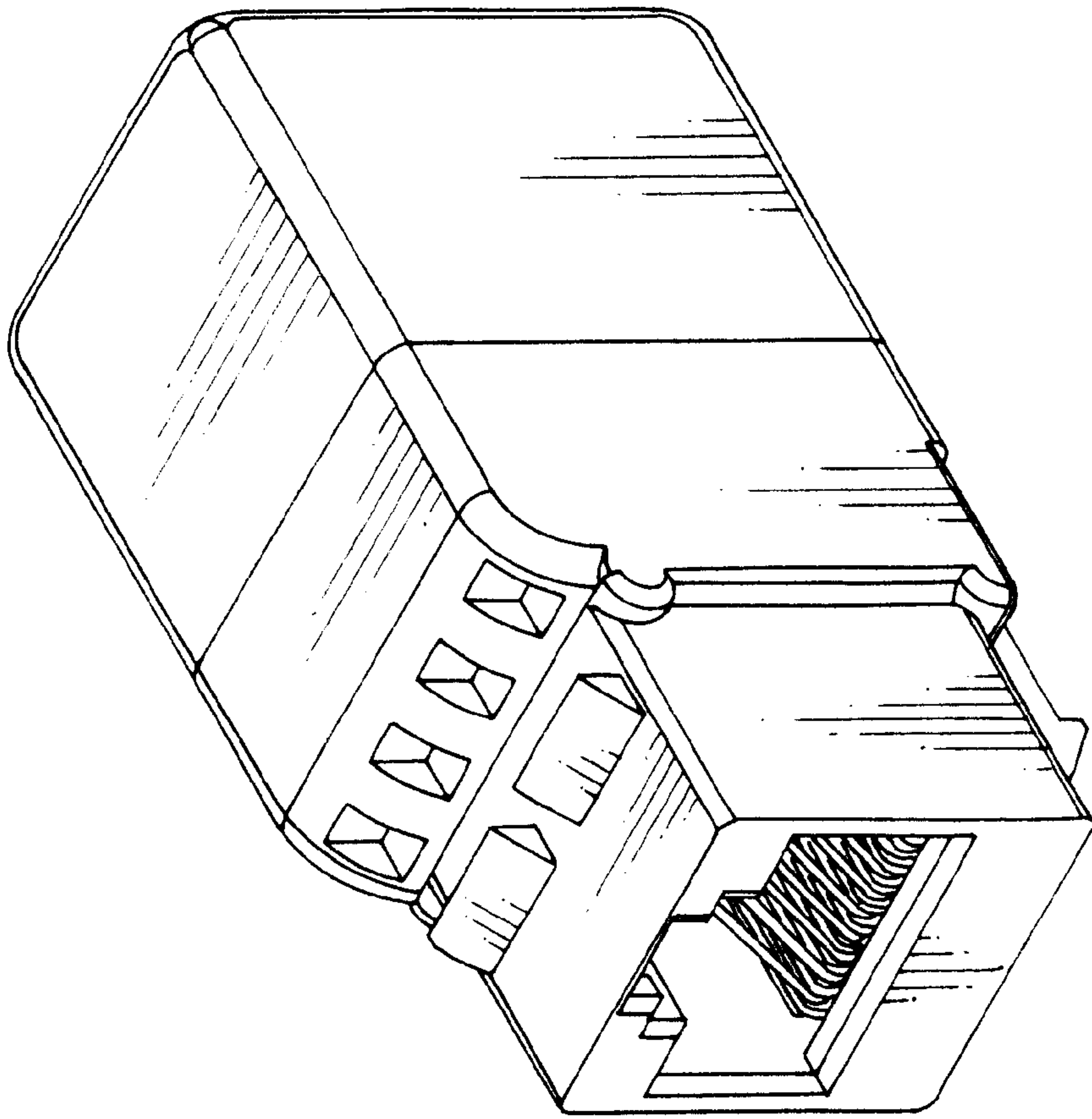


Fig. 1

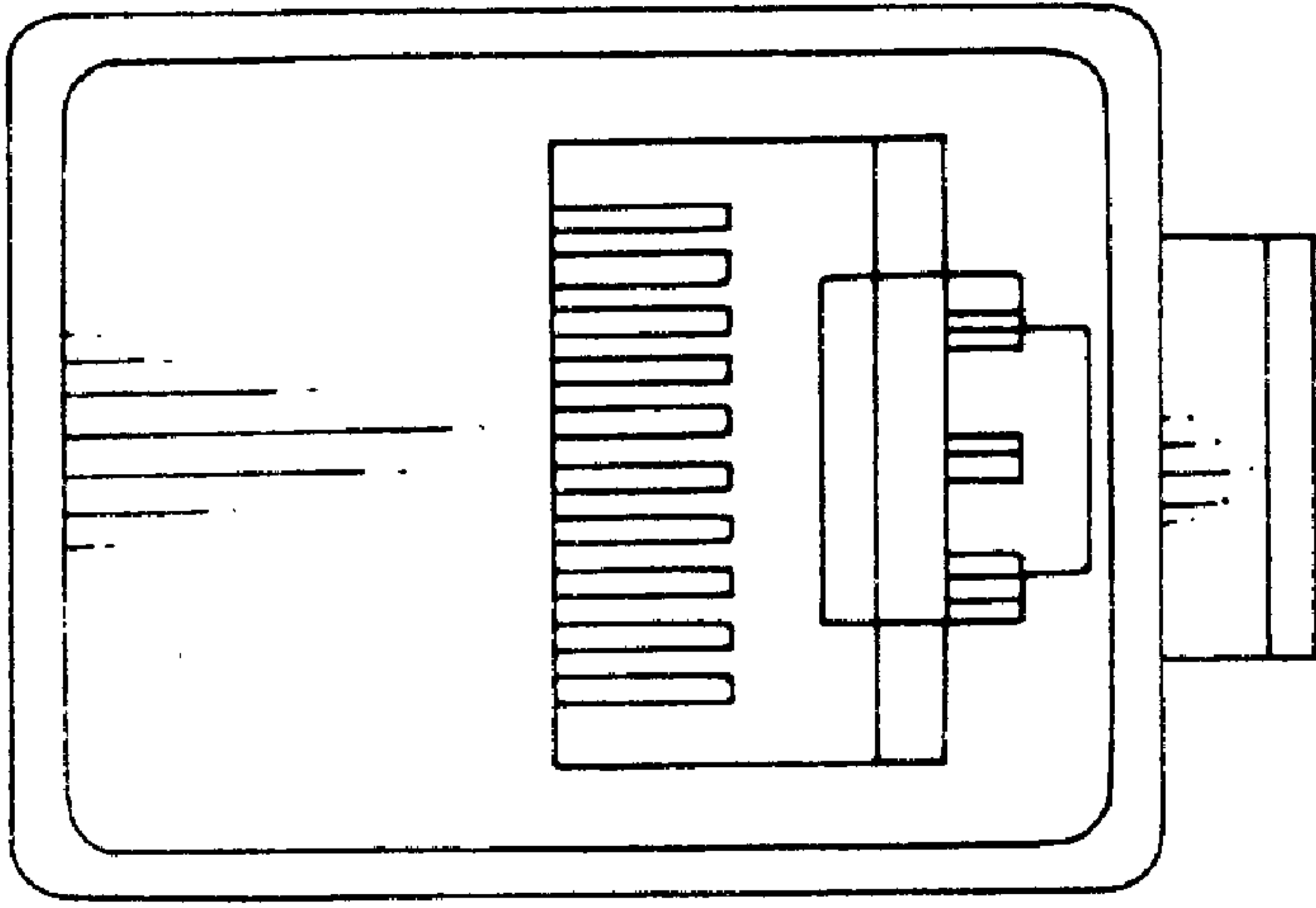


Fig. 3

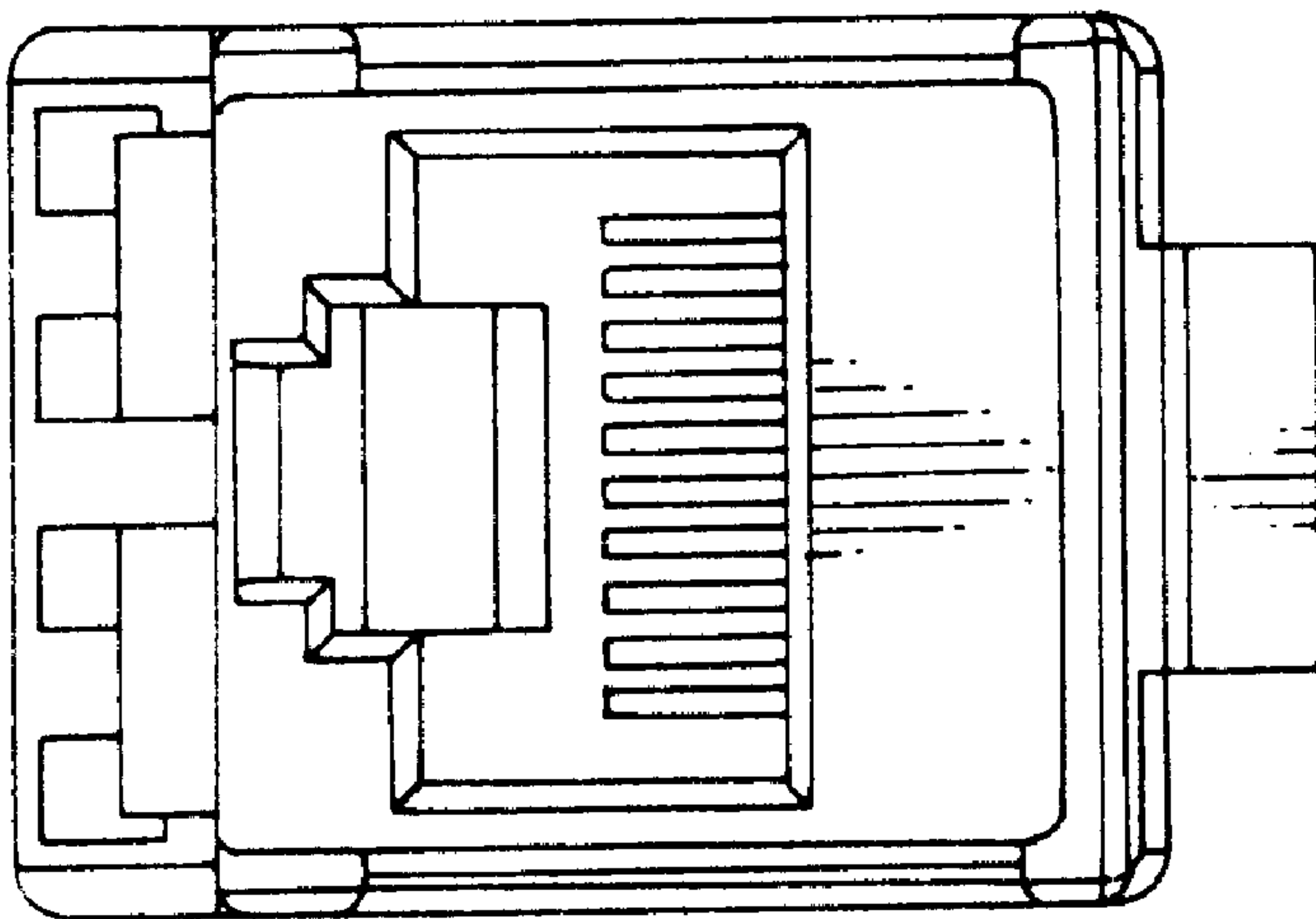


Fig. 2

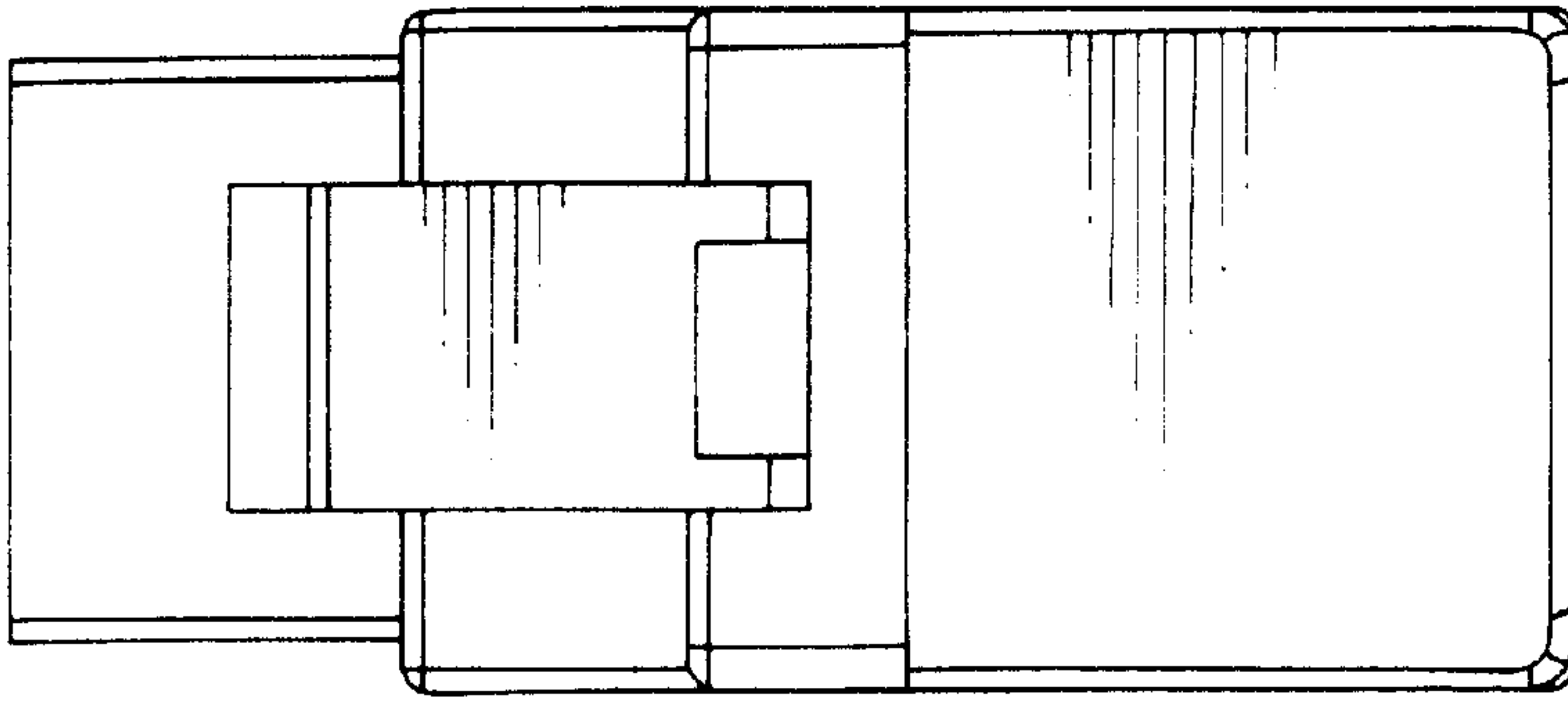


Fig. 5

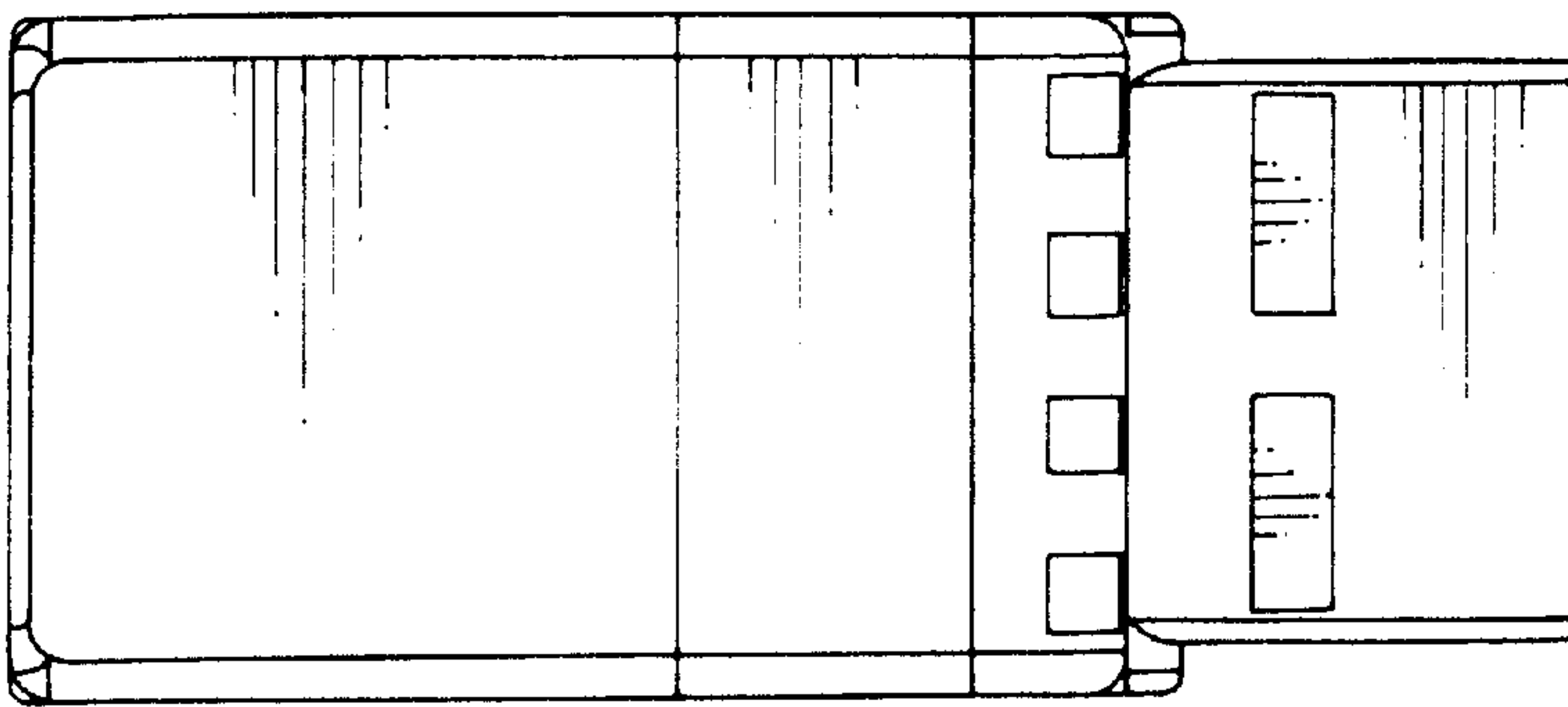


Fig. 4

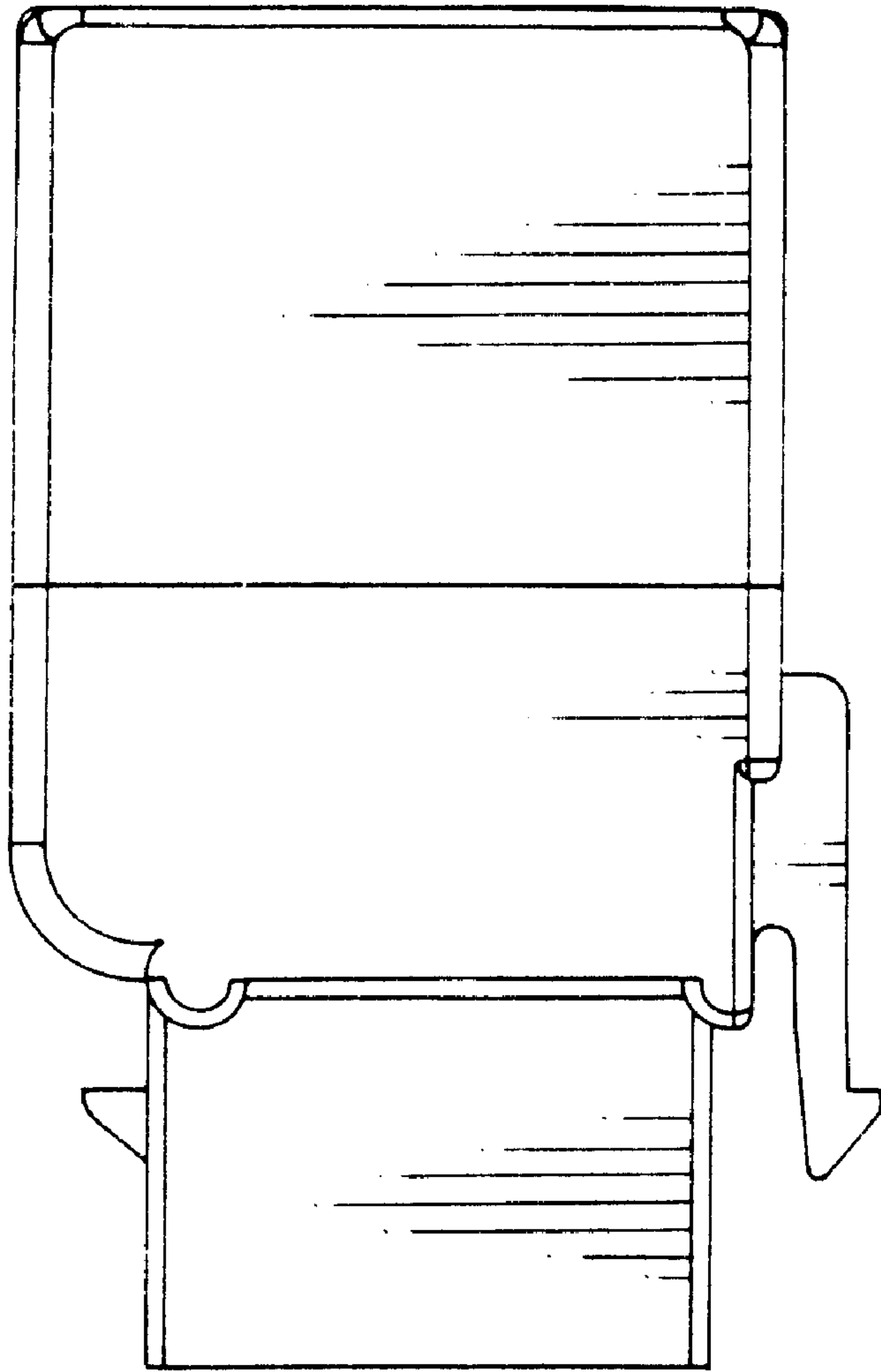


Fig. 6

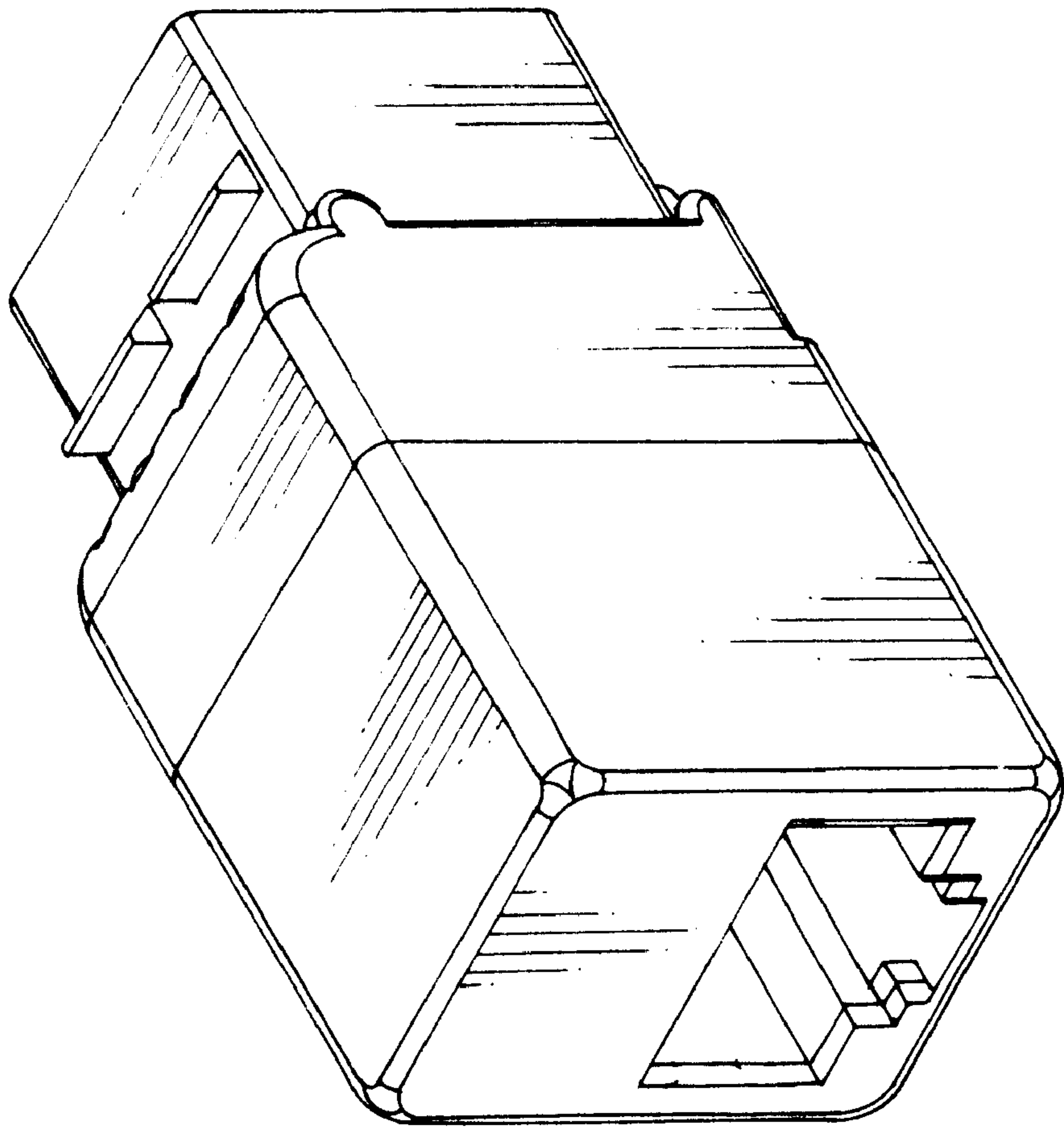


Fig. 7