



US00D481010S

(12) **United States Design Patent**
Yu

(10) **Patent No.:** **US D481,010 S**

(45) **Date of Patent:** **** Oct. 21, 2003**

(54) **TELEPHONE LINE CONNECTOR**

(75) Inventor: **Piao-Lung Yu, Taipei (TW)**

(73) Assignee: **Tsay-E International Inc., Taipei (TW)**

(**) Term: **14 Years**

(21) Appl. No.: **29/170,692**

(22) Filed: **Nov. 11, 2002**

(51) **LOC (7) Cl.** **13-03**

(52) **U.S. Cl.** **D13/147; D14/256**

(58) **Field of Search** **D13/147; D14/256;**
439/344, 638, 640, 676

(56) **References Cited**

U.S. PATENT DOCUMENTS

4,061,411	A	*	12/1977	Gumb et al.	439/344
4,241,974	A	*	12/1980	Hardesty	439/638
4,295,702	A	*	10/1981	Snyder	439/638 X
4,438,998	A	*	3/1984	Myers	439/638
4,738,635	A	*	4/1988	Harrington et al.	439/640 X
D313,970	S	*	1/1991	Reeves	D13/147
5,308,260	A	*	5/1994	Johnston et al.	439/344
5,328,390	A	*	7/1994	Johnston et al.	439/638

5,651,690	A	*	7/1997	Klas et al.	439/638 X
6,067,014	A	*	5/2000	Wilson	439/344 X
6,116,958	A	*	9/2000	Reichle	439/640
6,340,313	B1	*	1/2002	Hwang	439/638
6,494,747	B1	*	12/2002	Hwang	439/676
2003/0081760	A1	*	5/2003	Chen	379/399.01

* cited by examiner

Primary Examiner—Joel Sincavage

(74) *Attorney, Agent, or Firm*—Dellett and Walters

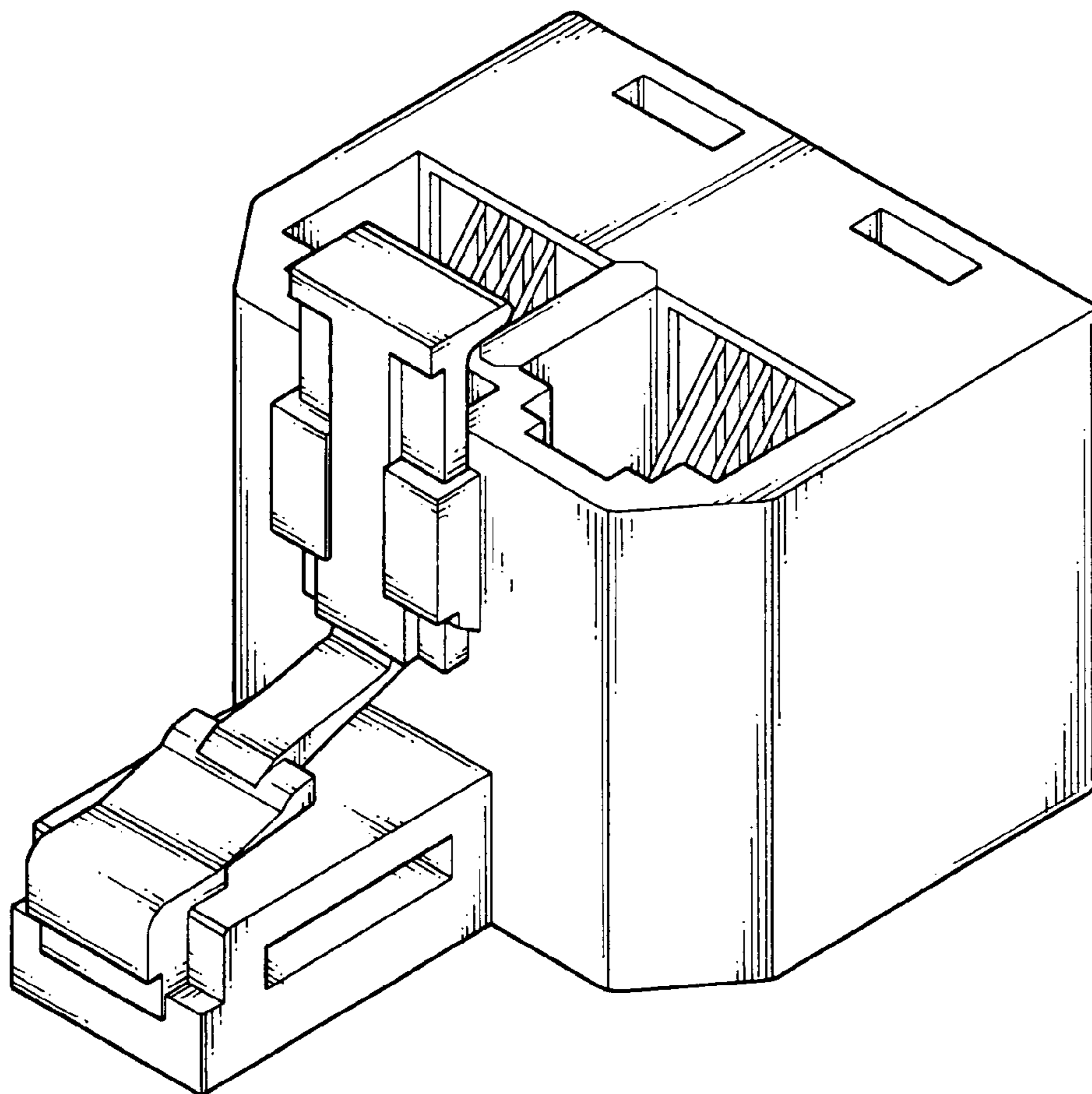
(57) **CLAIM**

The ornamental design for a telephone line connector, as shown.

DESCRIPTION

FIG. 1 is a perspective view of a telephone line connector, showing my new design;
FIG. 2 is a front elevational view thereof;
FIG. 3 is a rear elevational view thereof;
FIG. 4 is a left elevational view thereof;
FIG. 5 is a right elevational view thereof;
FIG. 6 is a top plan view thereof; and,
FIG. 7 is a bottom plan view thereof.

1 Claim, 4 Drawing Sheets



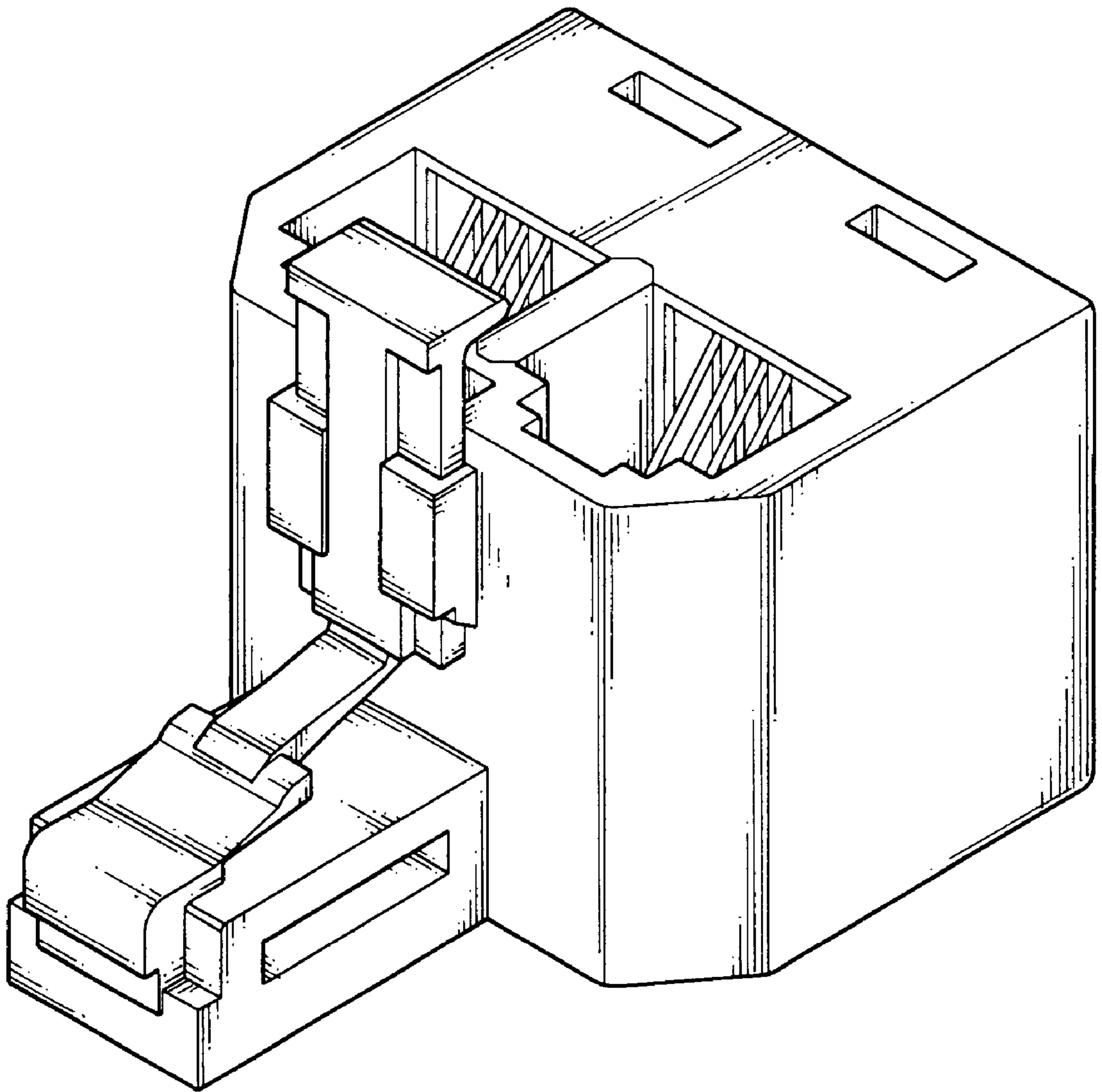


FIG. 1

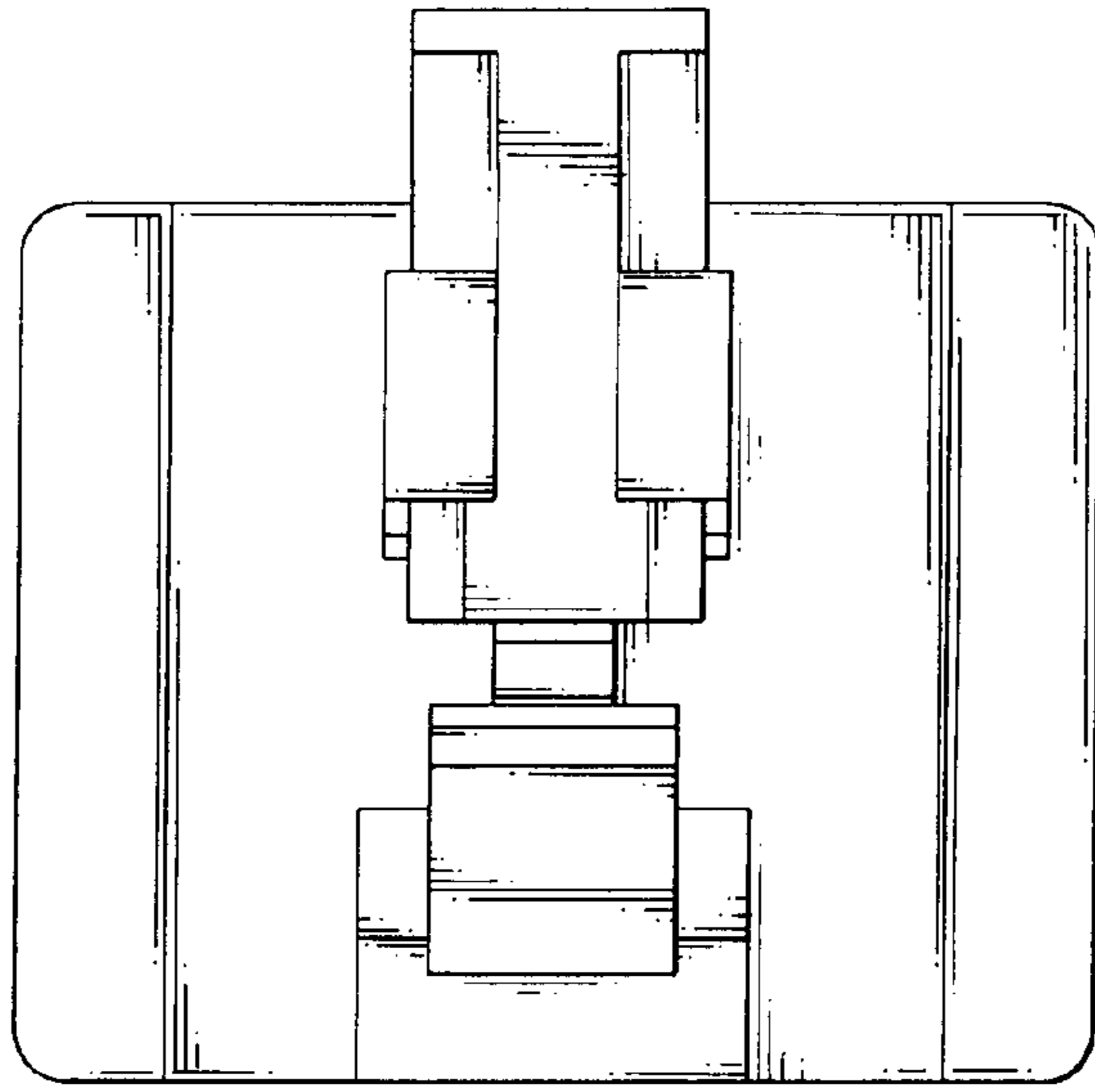


FIG. 2

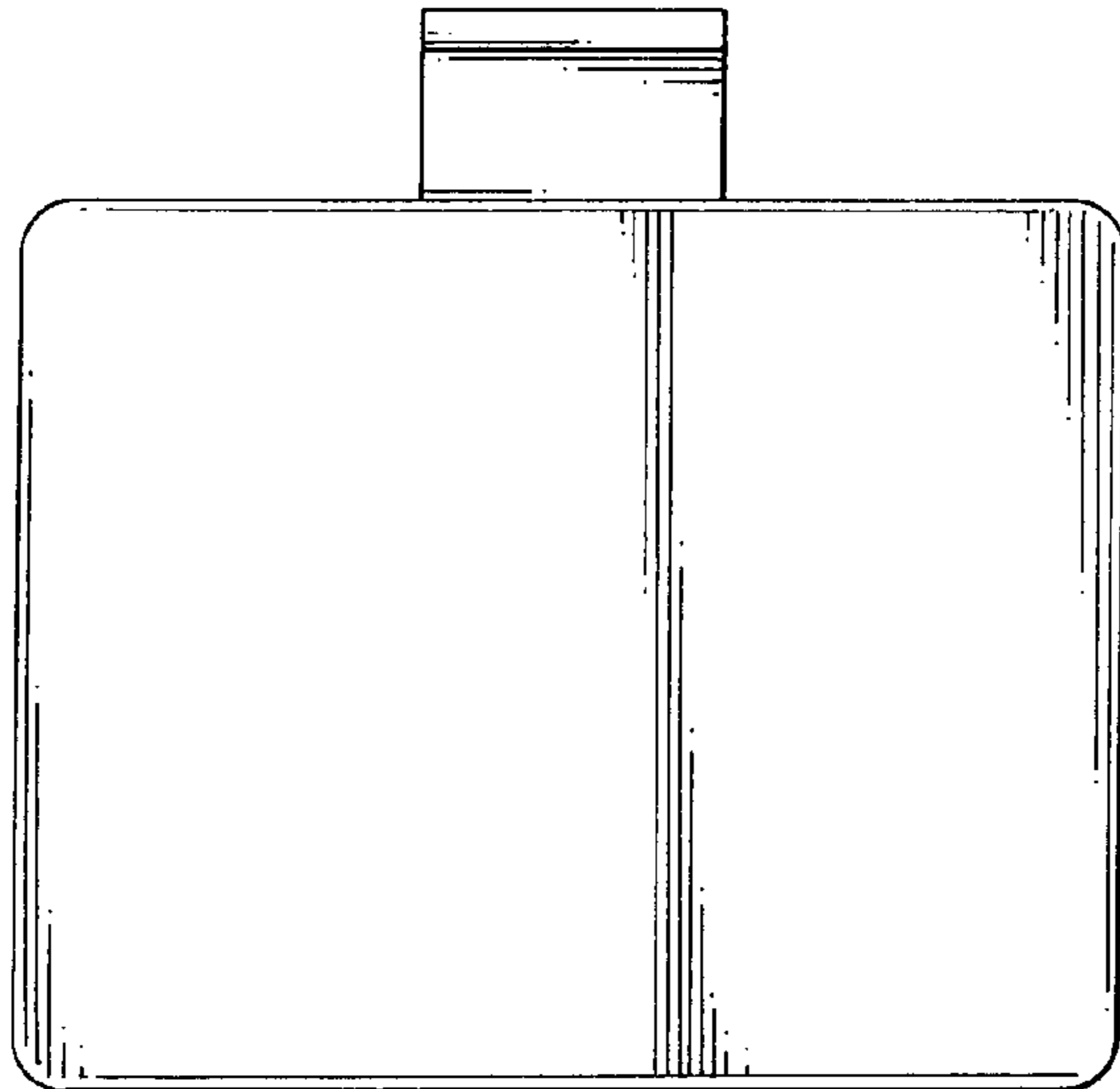


FIG. 3

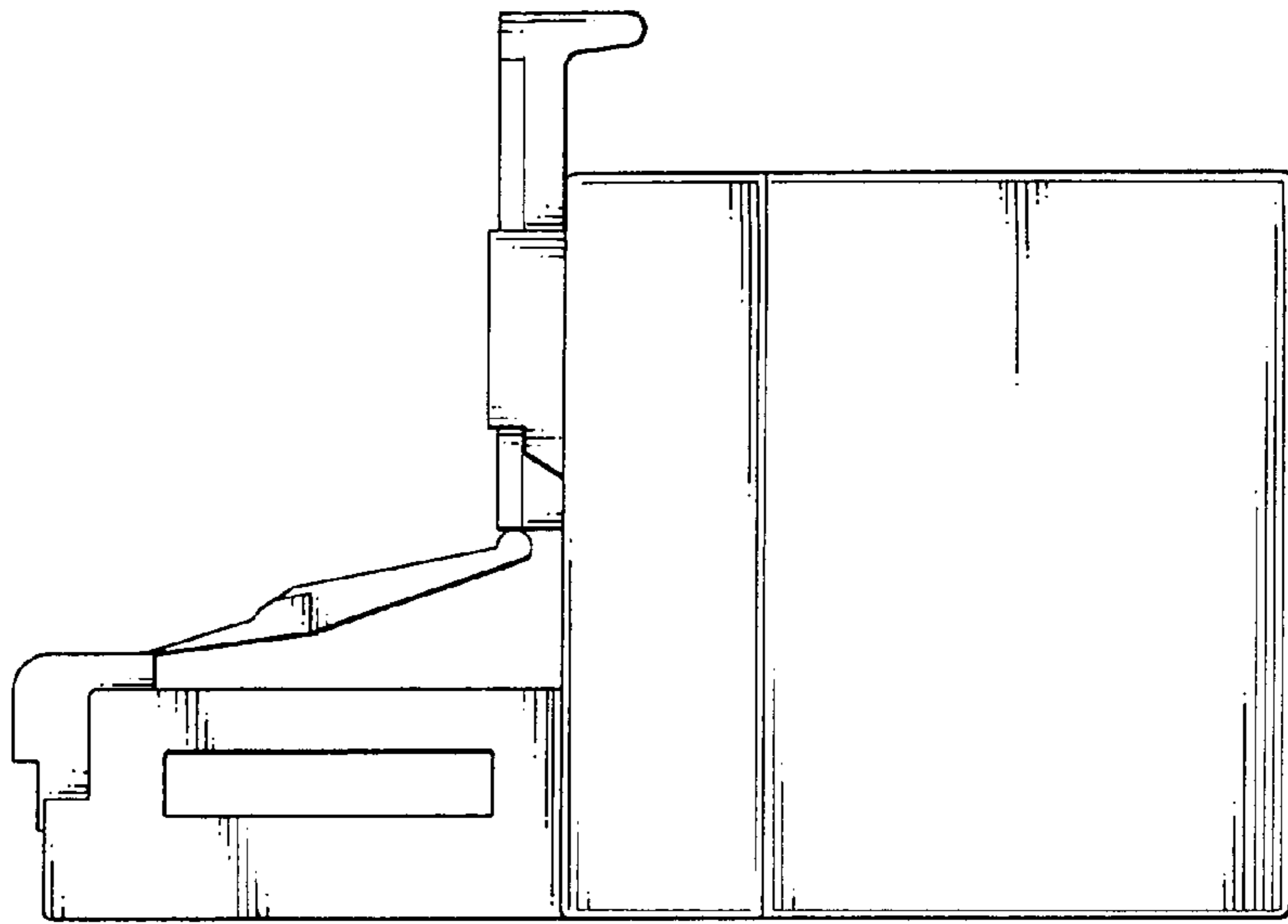


FIG. 5

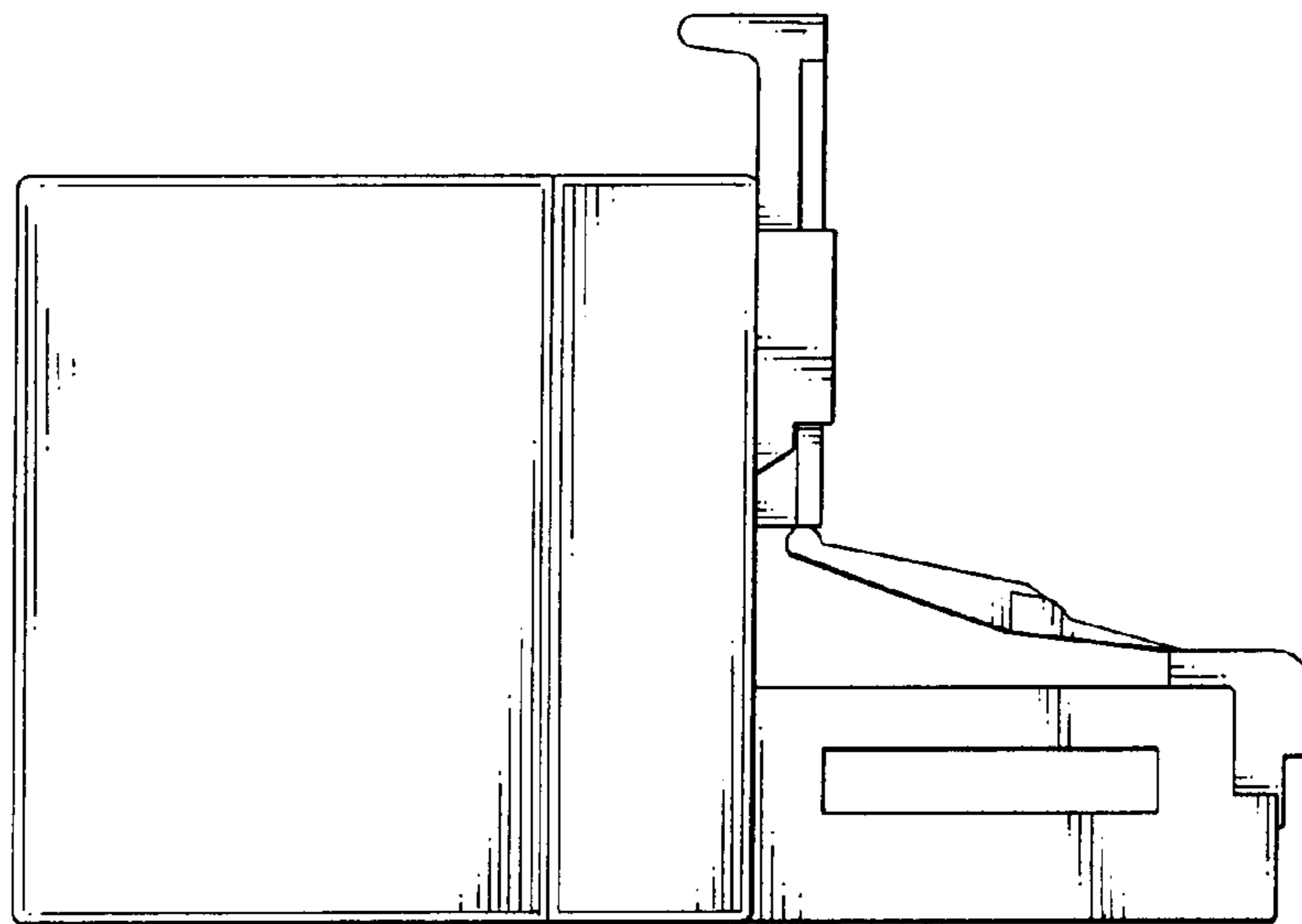


FIG. 4

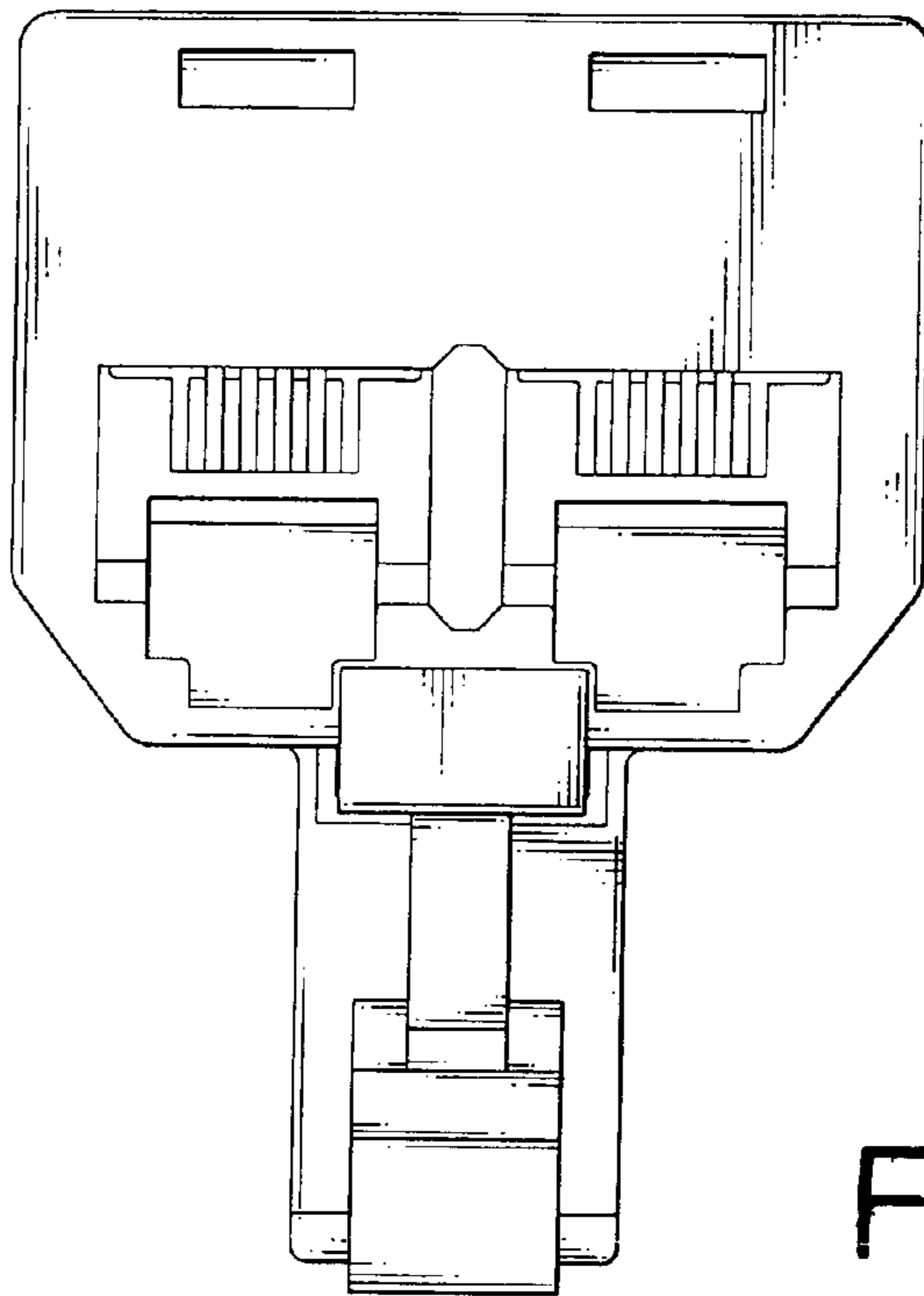


FIG. 6

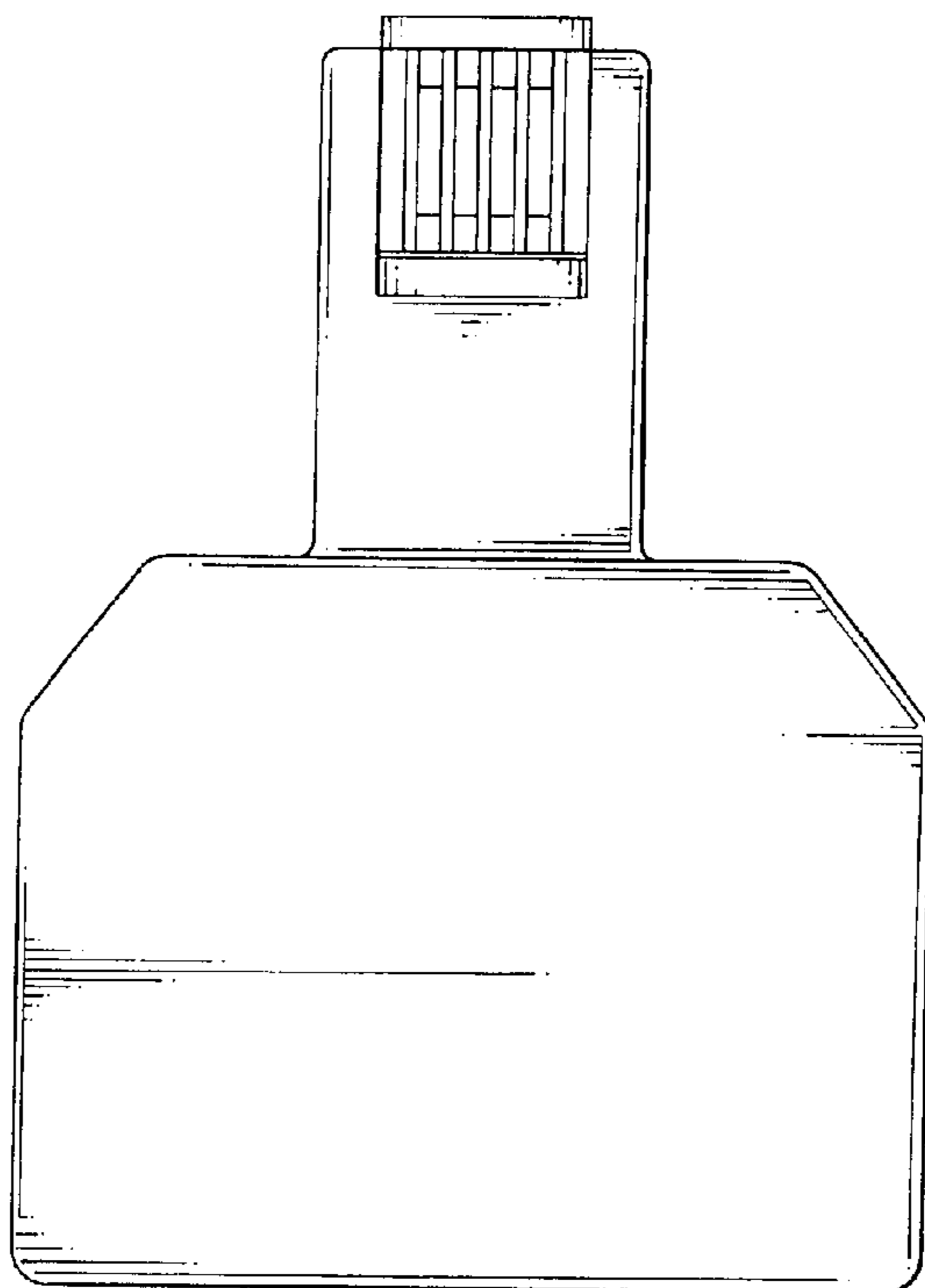


FIG. 7