



US00D481009S

(12) **United States Design Patent**
Stekelenburg

(10) **Patent No.:** **US D481,009 S**

(45) **Date of Patent:** **** Oct. 21, 2003**

(54) **CORD REEL**

(75) Inventor: **Albert Stekelenburg**, Taipei (TW)

(73) Assignee: **All-Line Inc.**, Taipei (TW)

(**) Term: **14 Years**

(21) Appl. No.: **29/175,966**

(22) Filed: **Feb. 14, 2003**

(51) **LOC (7) Cl.** **13-03**

(52) **U.S. Cl.** **D13/137.4; D13/139.7**

(58) **Field of Search** **D13/137.4, 139.6-139.8;**
191/12.2 R, 12.4; 439/501

(56) **References Cited**

U.S. PATENT DOCUMENTS

| | | | | | |
|-------------|---|---------|--------------|-------|-----------|
| 5,700,150 A | * | 12/1997 | Morin | | 439/501 |
| 6,077,109 A | * | 6/2000 | Prazoff | | 439/501 |
| D432,499 S | * | 10/2000 | Stekelenburg | | D13/139.6 |
| D443,590 S | * | 6/2001 | Vende | | D13/137.4 |
| D448,730 S | * | 10/2001 | Lee | | D13/137.4 |
| D459,307 S | * | 6/2002 | Nieto | | D13/139.8 |

* cited by examiner

Primary Examiner—Jennifer Rivard

(74) *Attorney, Agent, or Firm*—Troxell Law Office PLLC

(57) **CLAIM**

The ornamental design for a cord reel, as shown and described.

DESCRIPTION

FIG. 1 is a top view of the first embodiment of a cord reel showing of my new design; (bottom view is symmetrical as top view)

FIG. 2 is a front view thereof;

FIG. 3 is a left side elevational view thereof;

FIG. 4 is a right side elevational view thereof;

FIG. 5 is a rear view thereof;

FIG. 6 is a top view of the second embodiment of a cord reel of my new design; (bottom view is symmetrical as top view);

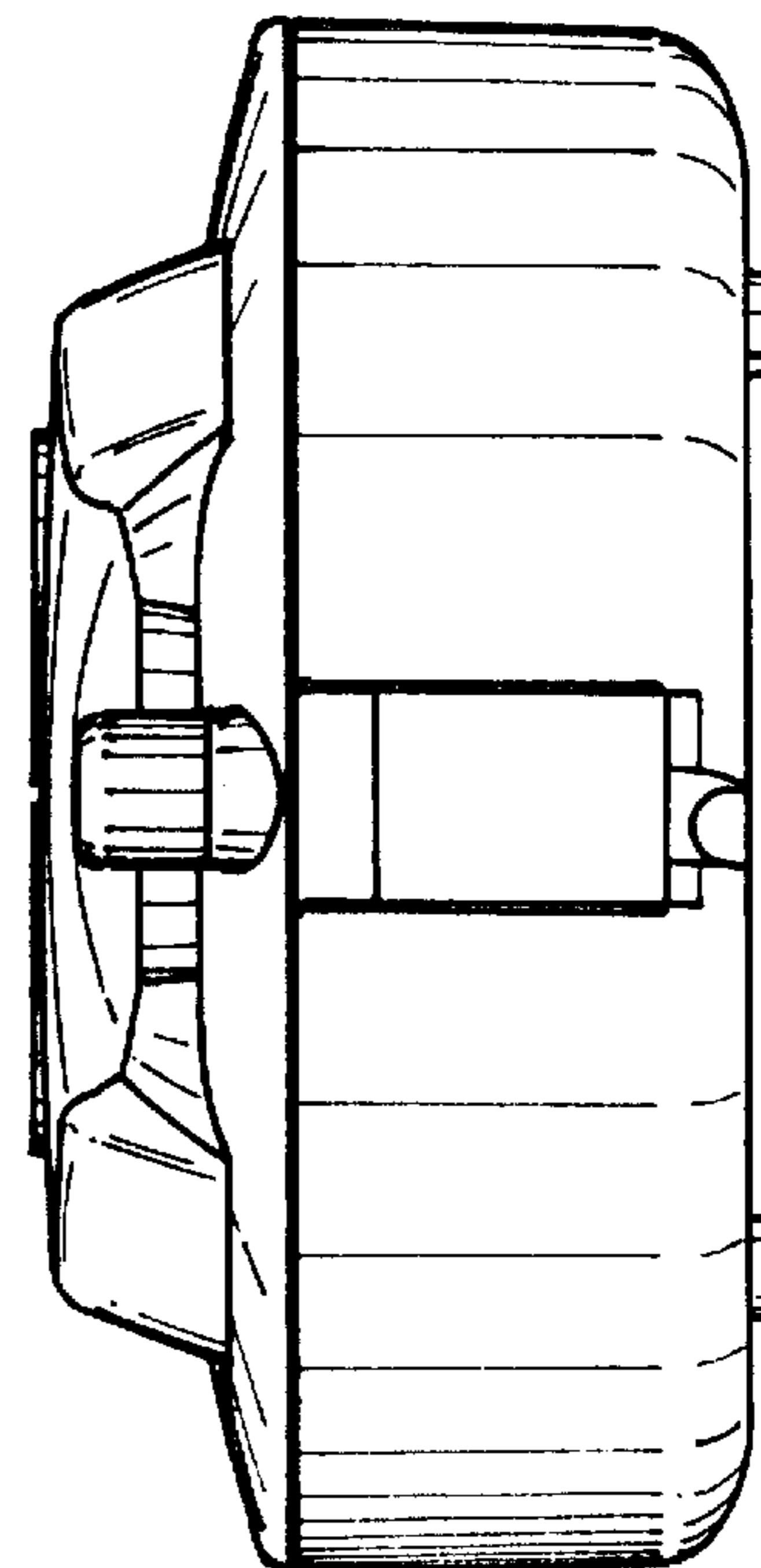
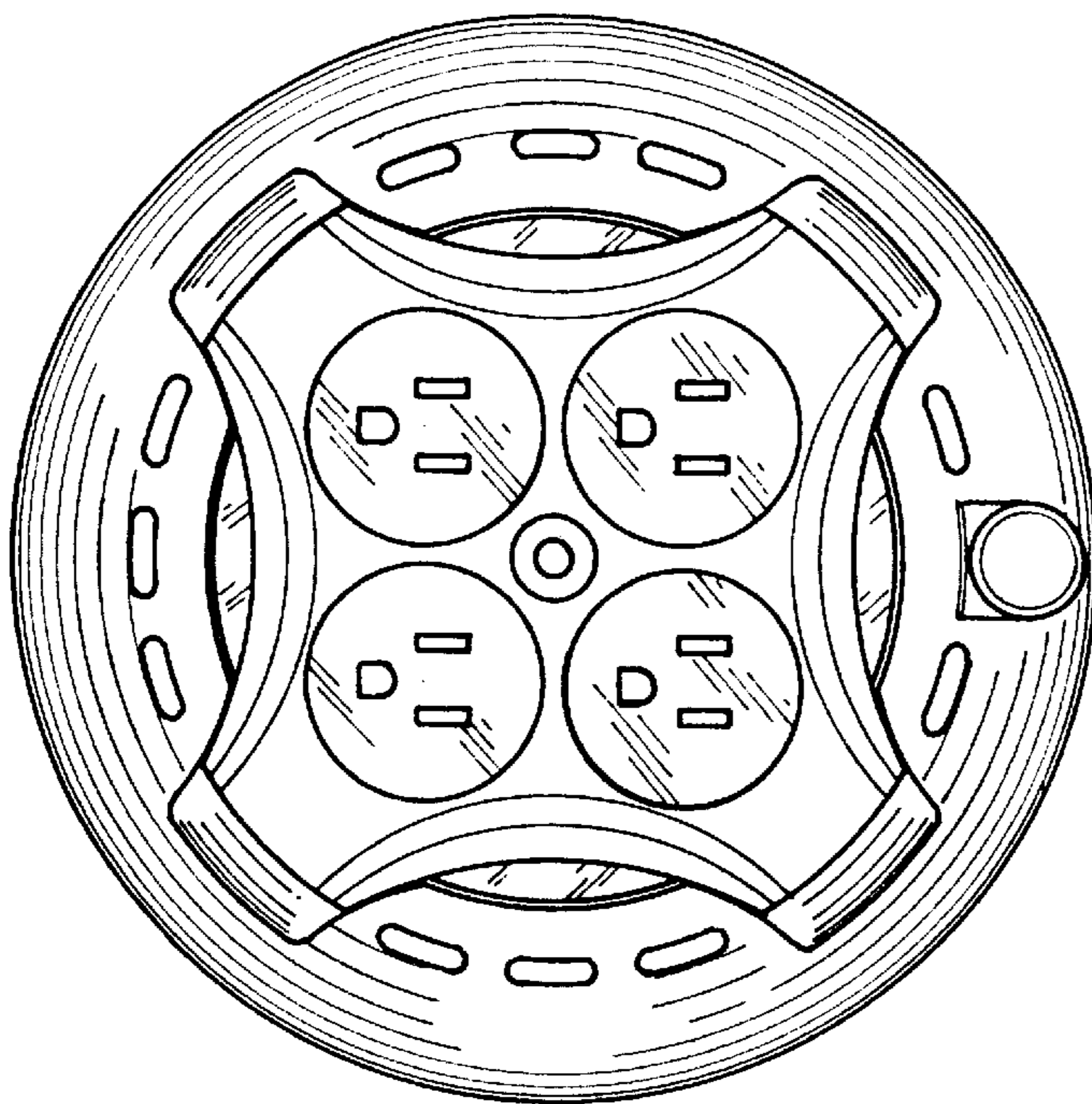
FIG. 7 is a front view thereof;

FIG. 8 is a left side view thereof;

FIG. 9 is a right side view thereof; and,

FIG. 10 is a rear view thereof.

1 Claim, 6 Drawing Sheets



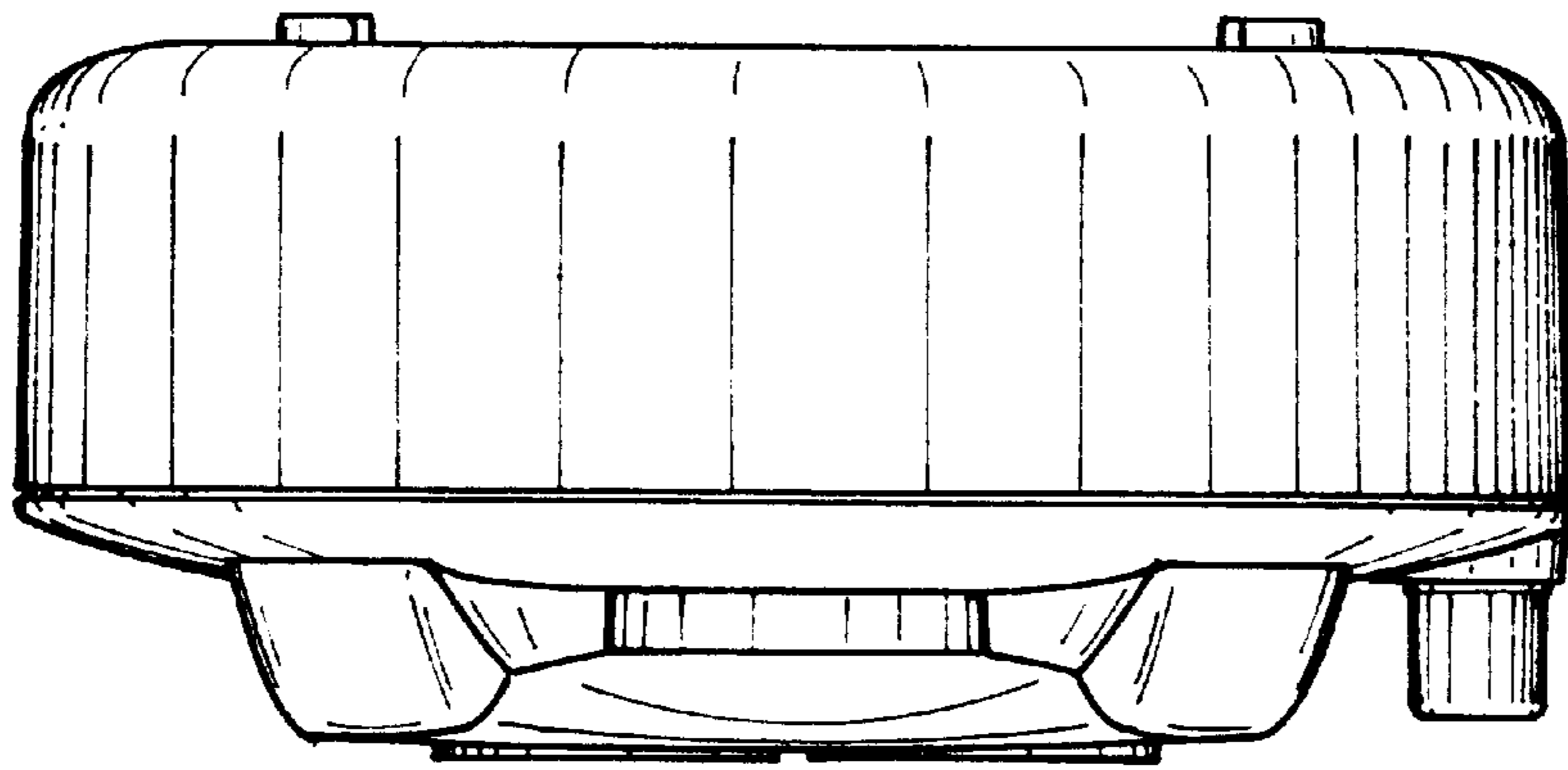


FIG. 1

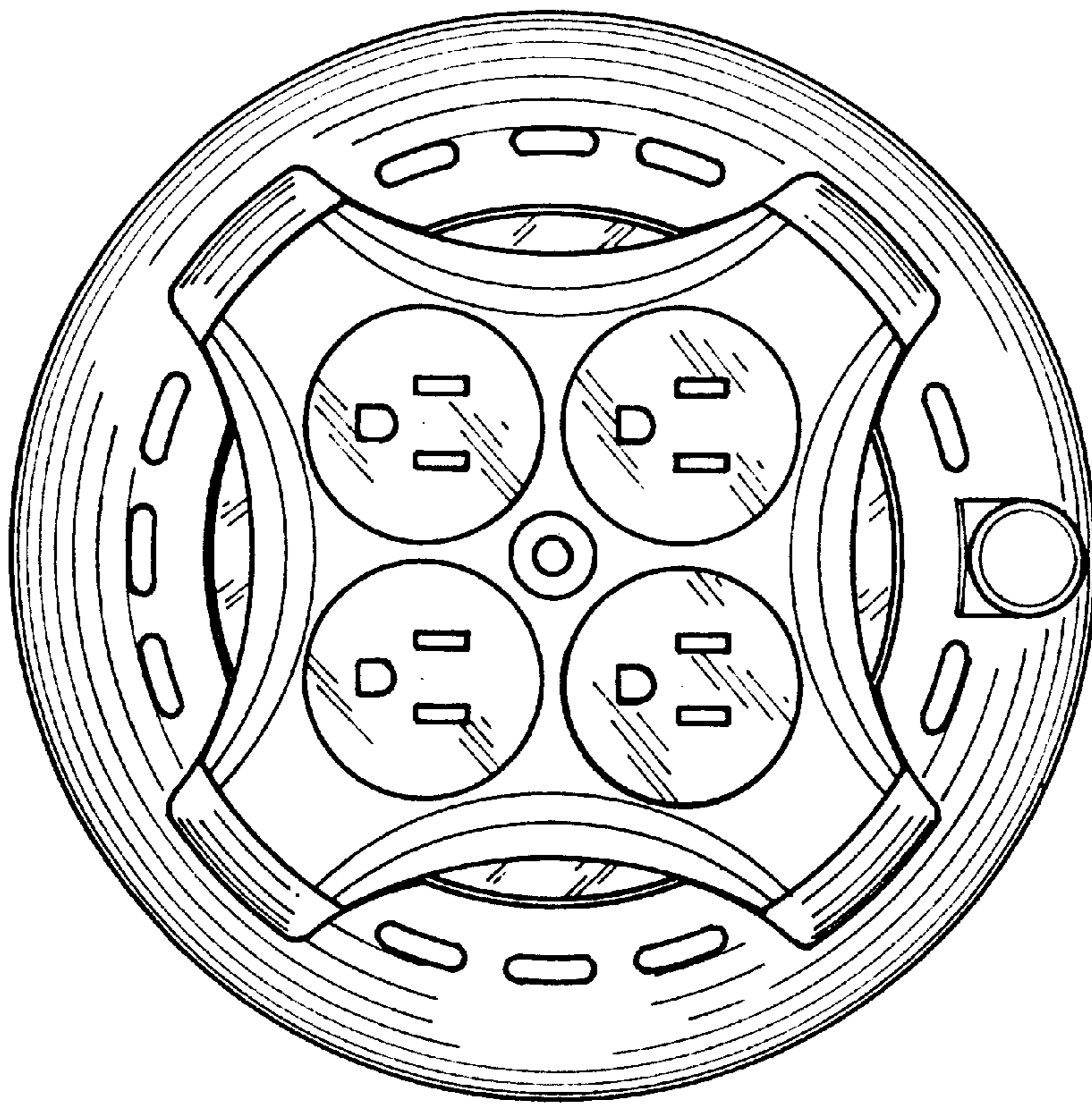


FIG. 2

FIG. 3

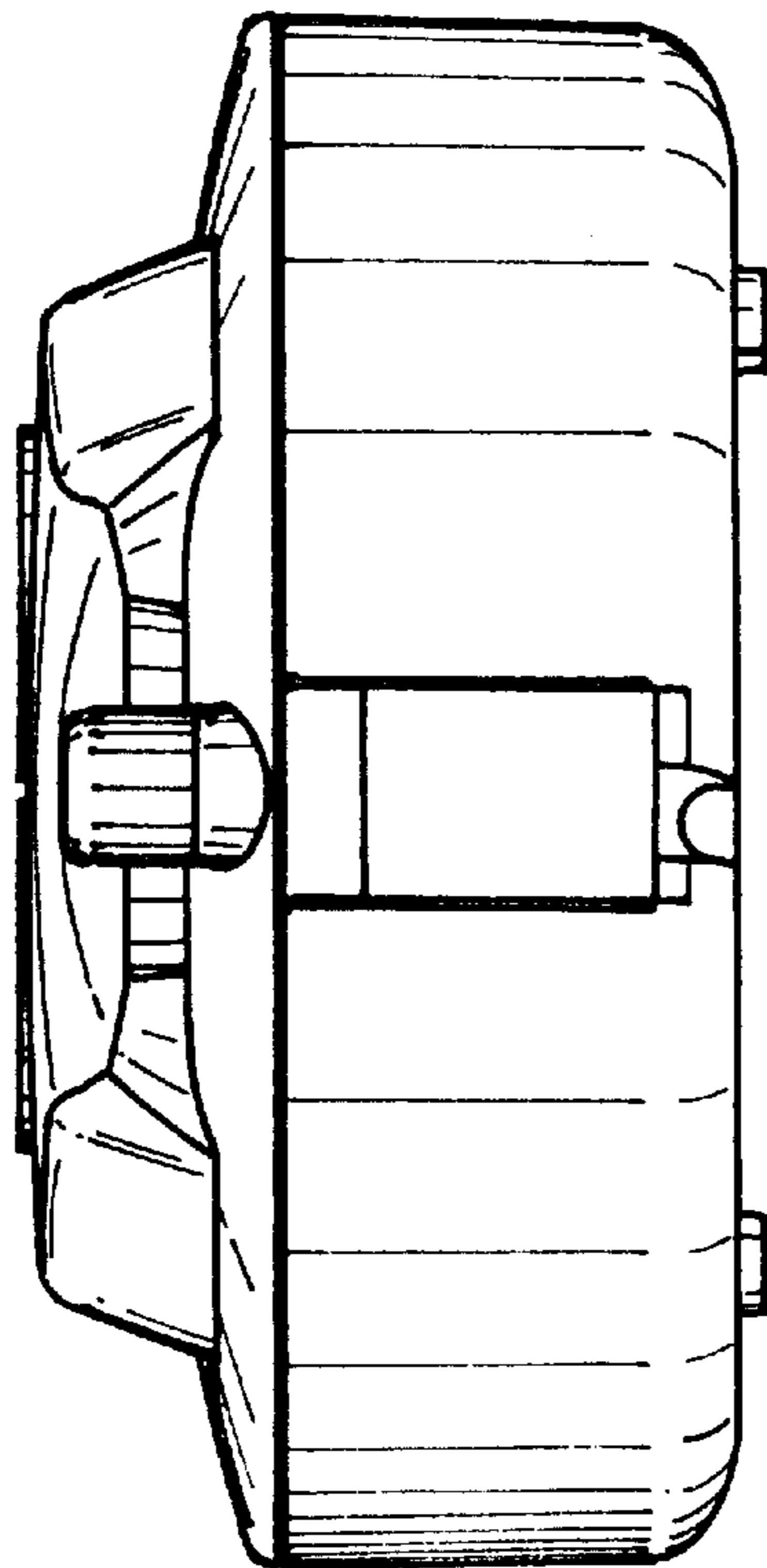
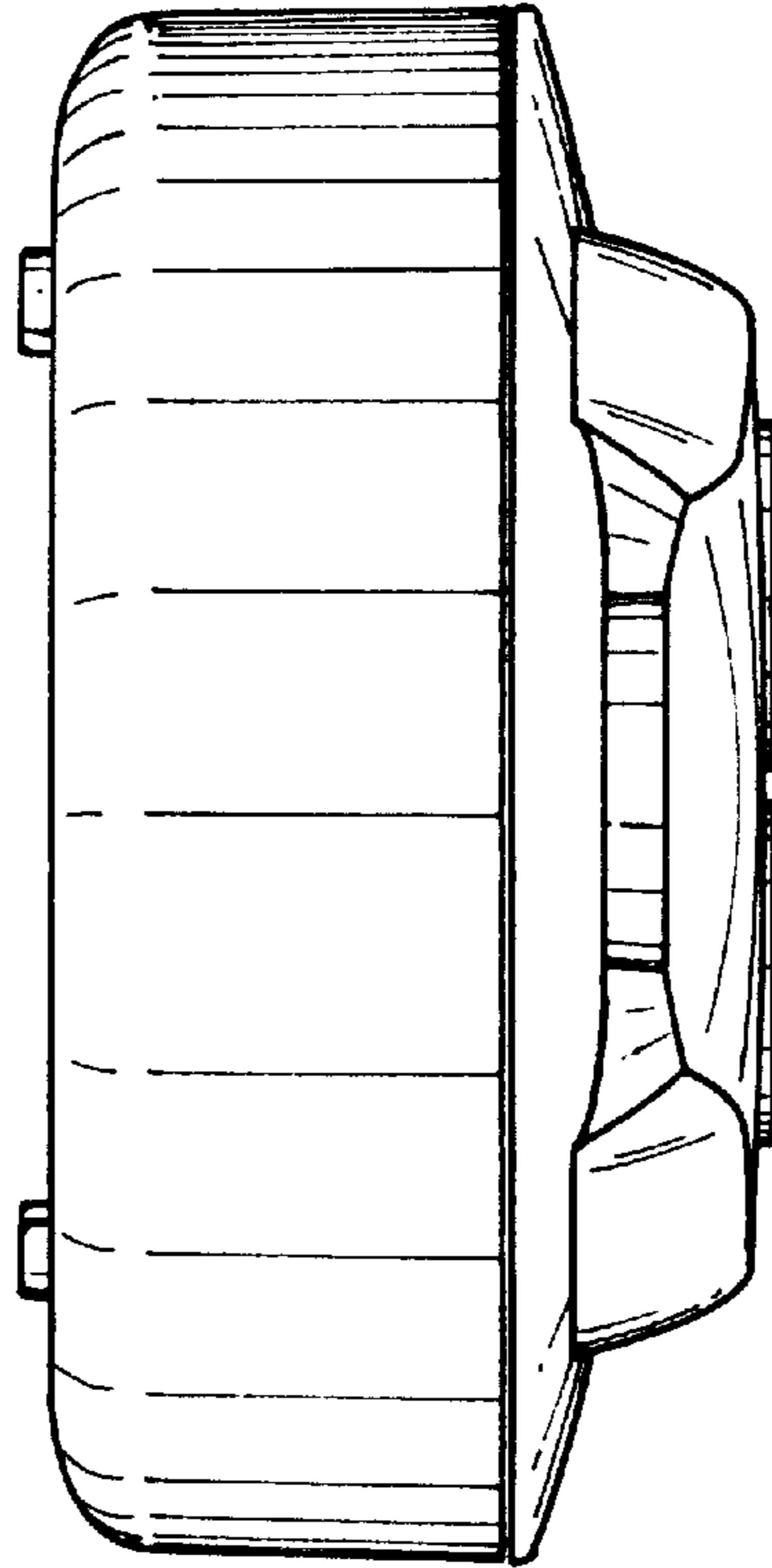


FIG. 4

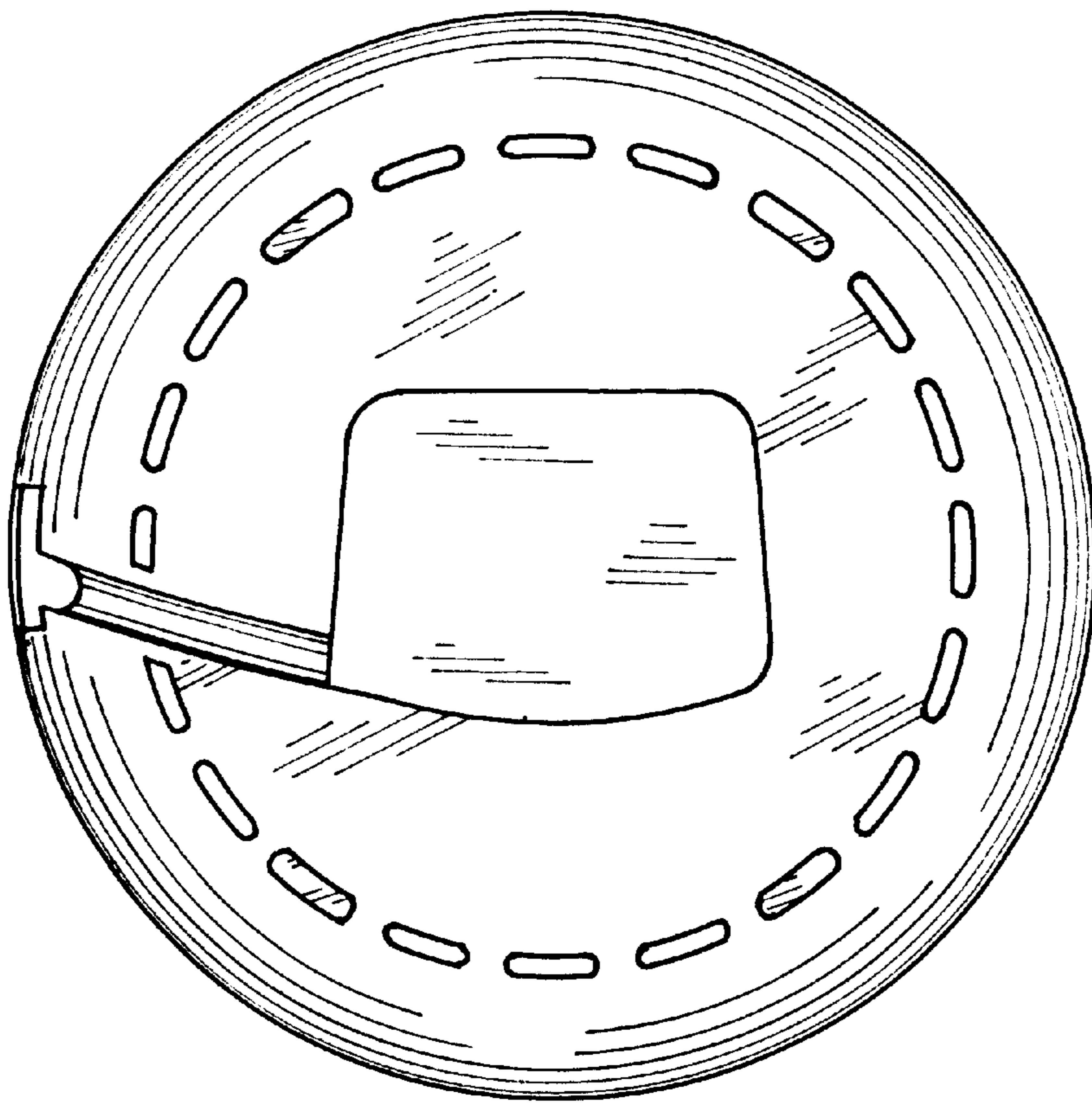


FIG. 5

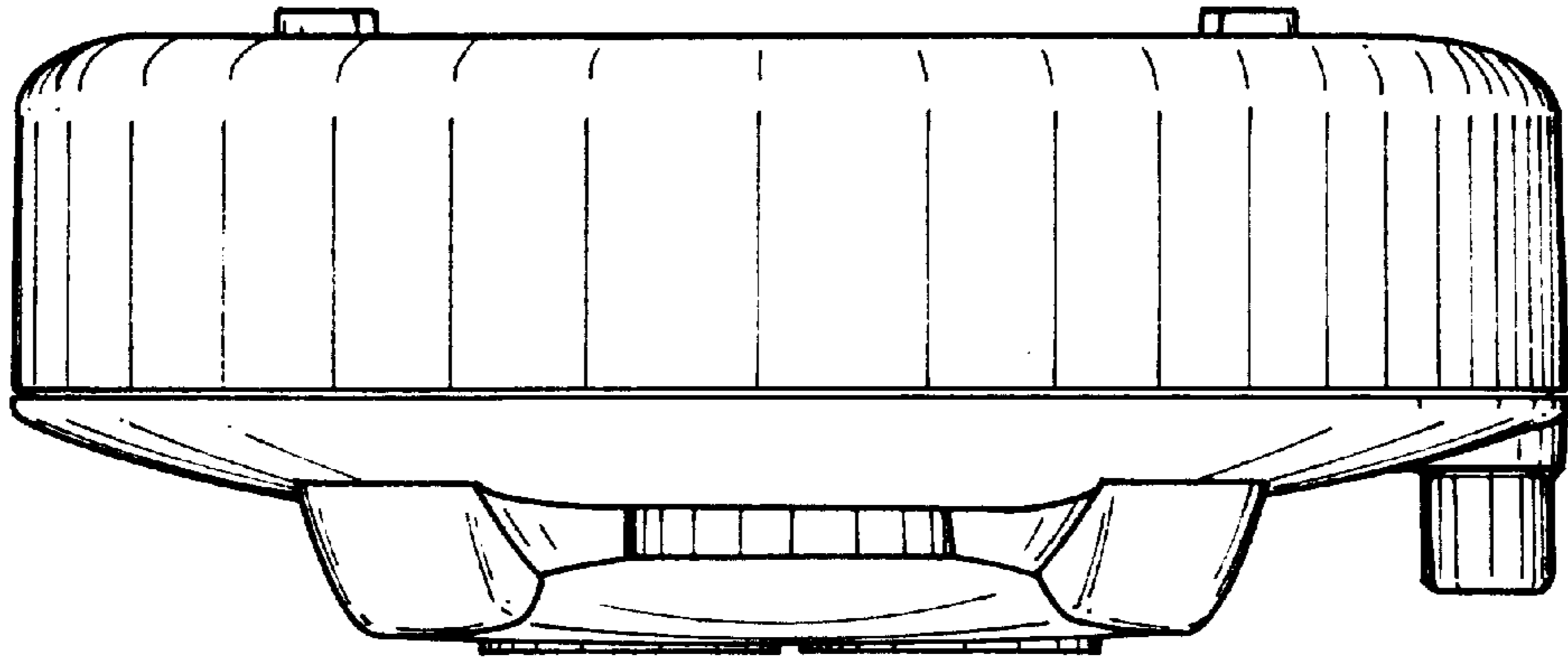


FIG. 6

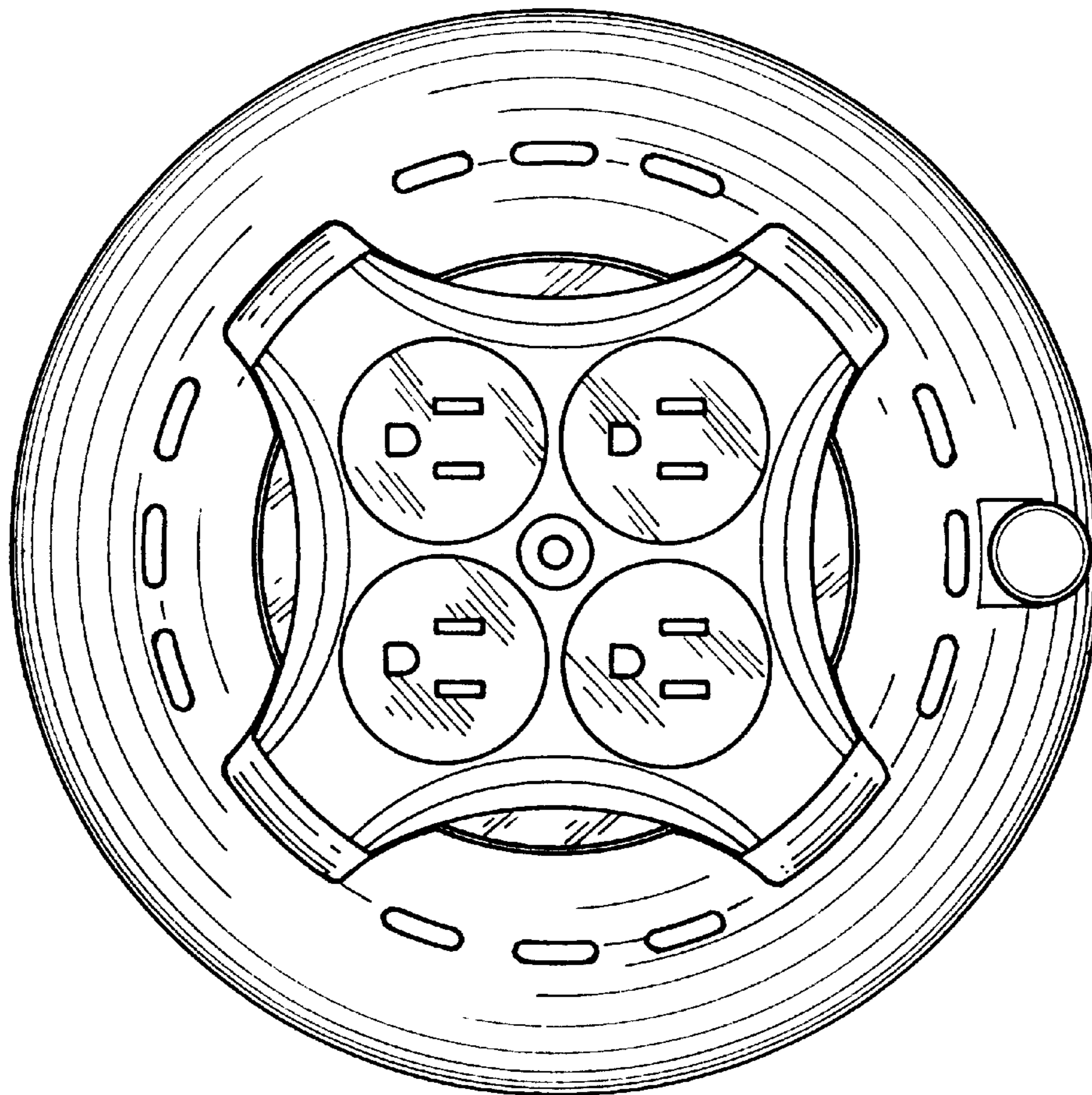


FIG. 7

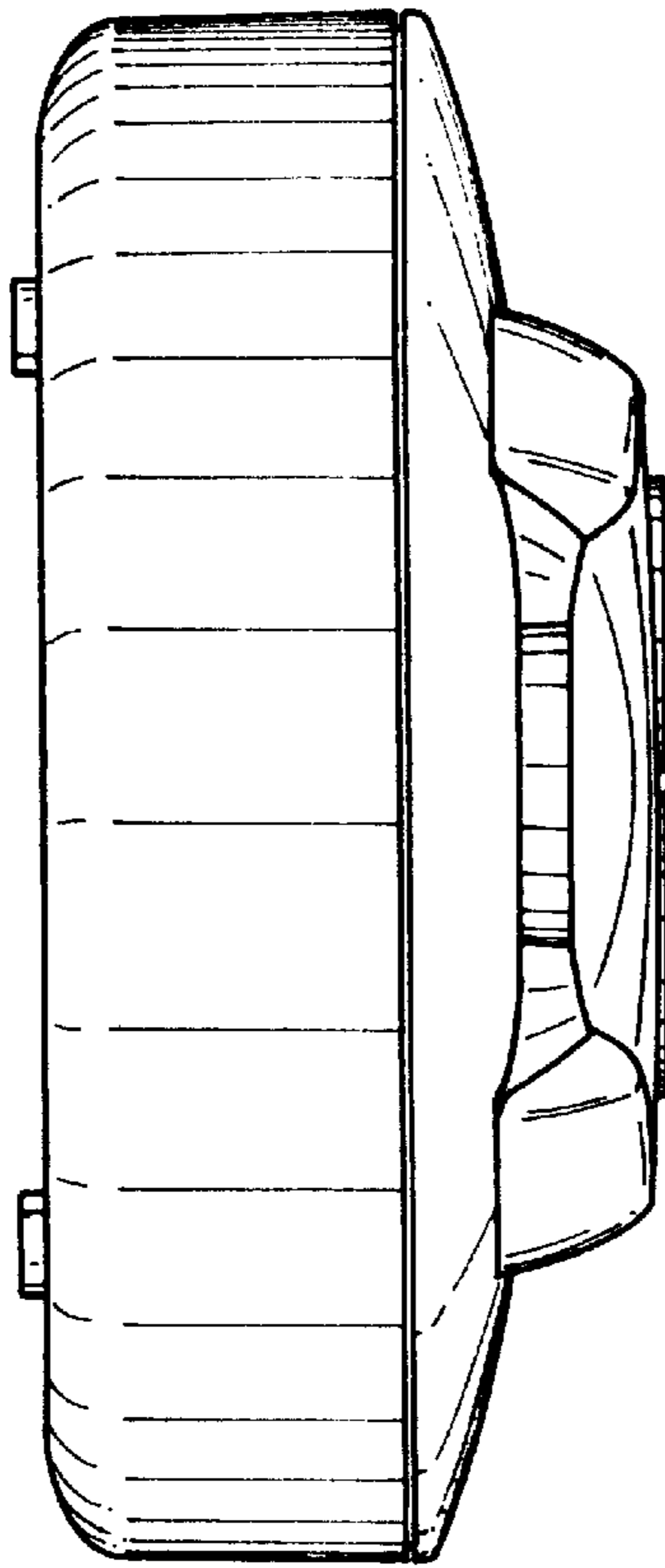


FIG. 8

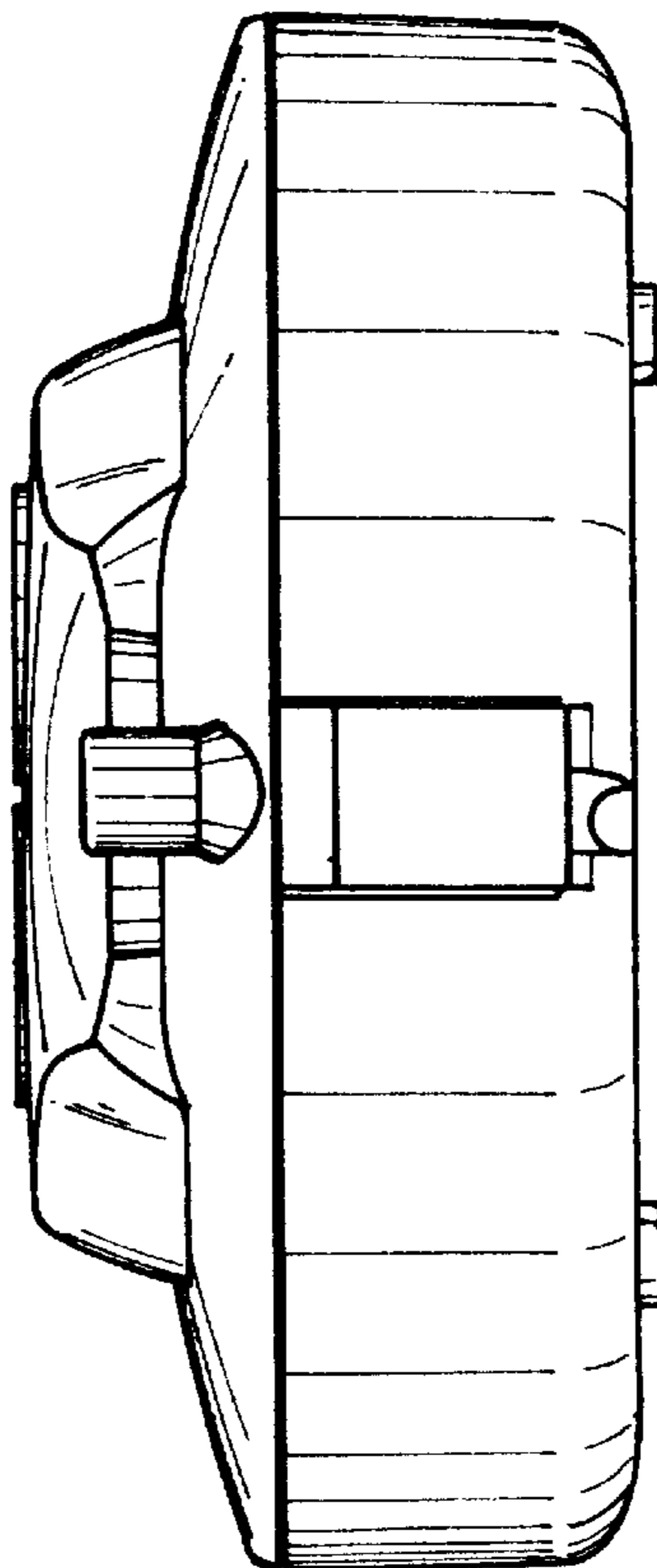


FIG. 9

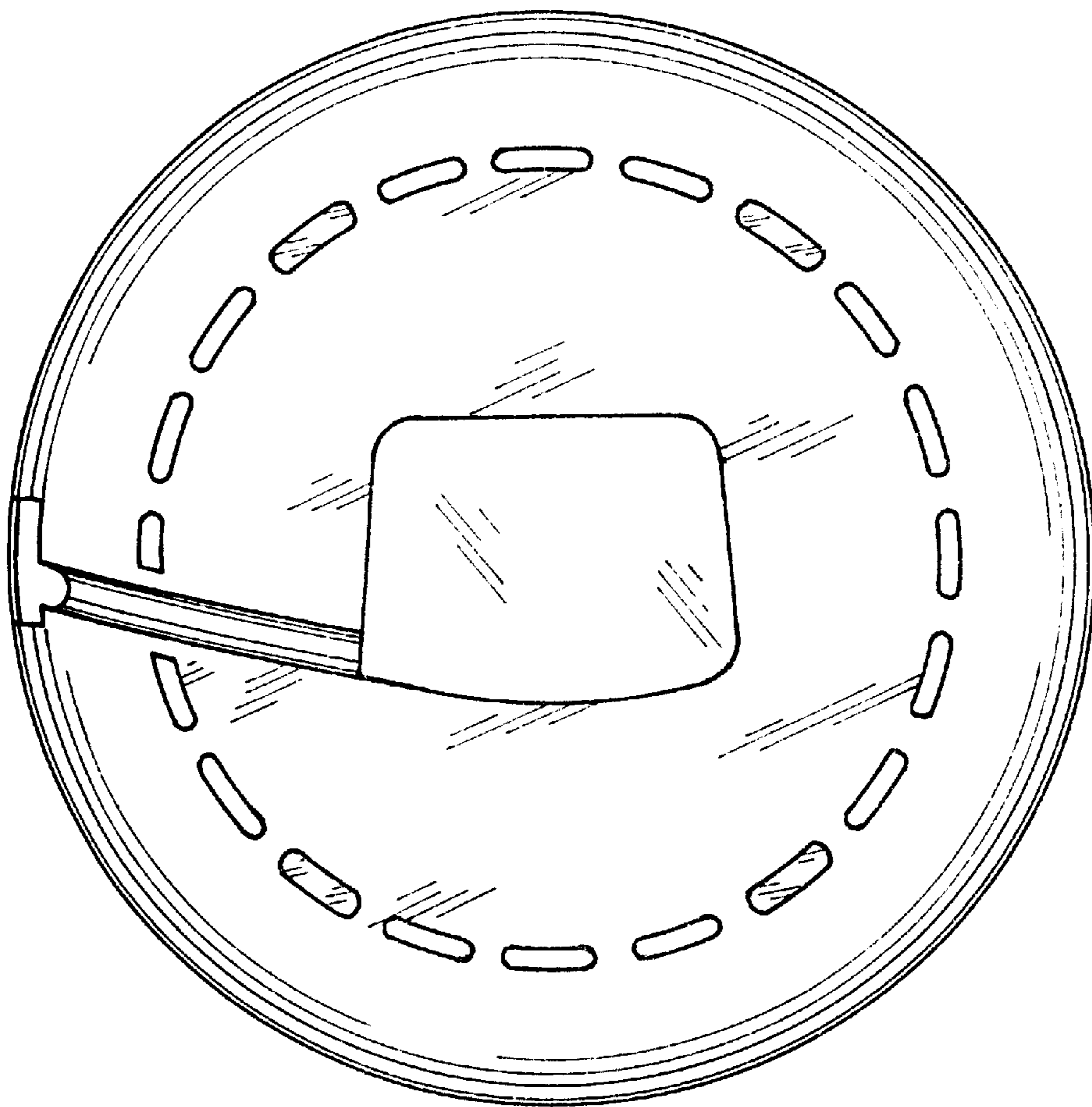


FIG. 10