



US00D481003S

(12) **United States Design Patent**
Bauer et al.

(10) **Patent No.:** **US D481,003 S**
(45) **Date of Patent:** **** Oct. 21, 2003**

- (54) **VEHICLE ROOF RACK**
- (75) Inventors: **Robert Bauer**, San Diego, CA (US);
Doug Wilson, San Diego, CA (US);
Tom Semple, San Diego, CA (US);
Robert Blanchard, Farmington Hills,
MI (US)
- (73) Assignee: **Nissan Design America, Inc.**, San
Diego, CA (US)
- (**) Term: **14 Years**
- (21) Appl. No.: **29/139,244**
- (22) Filed: **Mar. 28, 2001**

Related U.S. Application Data

- (62) Division of application No. 29/107,651, filed on Jul. 9, 1999,
now abandoned.
- (51) **LOC (7) Cl.** **12-16**
- (52) **U.S. Cl.** **D12/412**
- (58) **Field of Search** D12/401, 406,
D12/412-414; 296/3, 100, 37.1; 224/309-310,
315-316, 323-329, 321, 400, 325; 280/848,
760-762, 727, 769; D6/552, 556; D3/304-306

(56) **References Cited**

U.S. PATENT DOCUMENTS

- 1,951,660 A 3/1934 Klautdt
- 2,714,480 A 8/1955 Harris
- D181,747 S 12/1957 Pawley et al.
- D181,748 S 12/1957 Pawley et al.
- D182,705 S 5/1958 Binding
- 2,914,231 A 11/1959 Hornke
- 3,120,323 A 2/1964 Sparling
- D201,013 S 5/1965 Duer
- 3,223,301 A 12/1965 Helm
- 3,554,416 A 1/1971 Bott
- 3,782,295 A 1/1974 Balinski
- 3,856,193 A 12/1974 Bott
- 3,880,394 A 4/1975 Wisecarver
- D239,618 S 4/1976 Duer et al.
- D246,238 S 11/1977 Bass

- 4,101,061 A 7/1978 Sage et al.
- D252,961 S 9/1979 Carroll et al.
- 4,179,154 A 12/1979 Ingram
- 4,241,860 A 12/1980 Ingram
- 4,277,008 A 7/1981 McCleary
- 4,308,983 A 1/1982 Yoshida
- 4,406,386 A 9/1983 Rasor et al.
- 4,416,406 A 11/1983 Popeney
- 4,501,385 A 2/1985 Bott
- D288,193 S 2/1987 Caron
- 4,650,383 A 3/1987 Hoff
- 4,737,056 A 4/1988 Hunt
- D297,922 S 10/1988 Holder
- 4,824,302 A 4/1989 Schultheis et al.
- 4,834,599 A 5/1989 Gordon et al.
- D314,542 S 2/1991 Bott
- 5,071,050 A 12/1991 Pudney et al.
- 5,082,404 A 1/1992 Stewart et al.
- 5,104,018 A 4/1992 Dixon
- 5,121,958 A 6/1992 Goeden et al.
- 5,328,310 A 7/1994 Lockney
- 5,388,744 A 2/1995 Glorio et al.

(List continued on next page.)

Primary Examiner—Stacia Cadmus
(74) *Attorney, Agent, or Firm*—Foley & Lardner

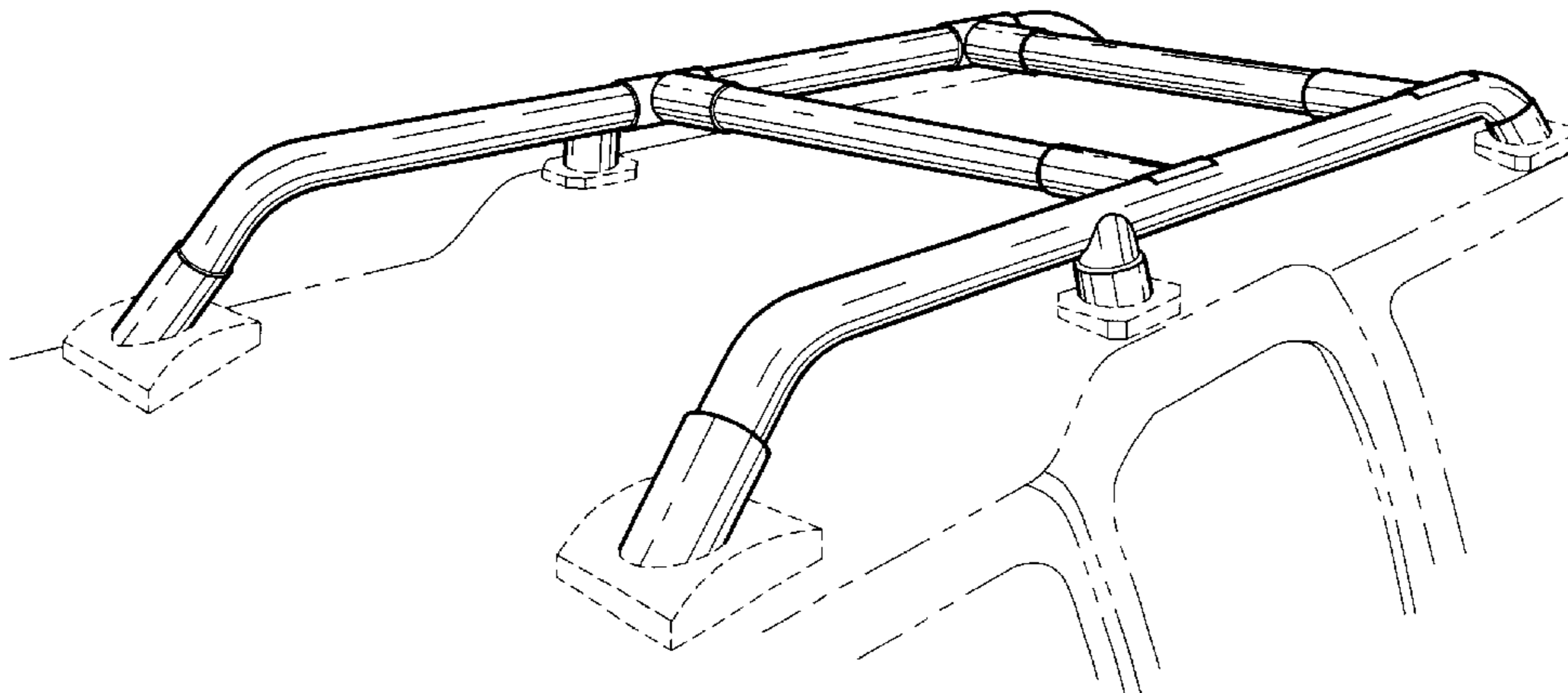
(57) **CLAIM**

We claim the ornamental design for a vehicle roof rack, as shown and described.

DESCRIPTION

FIG. 1 is a perspective view of a first embodiment of a vehicle roof rack embodying our new design. FIG. 2 is a perspective view of a second embodiment of a vehicle roof rack embodying our new design; and, FIG. 3 is a perspective view of a third embodiment of a vehicle roof rack embodying our new design. The broken line depiction of a vehicle in the figures is for illustrative purposes only and forms no part of the claimed design. The bottom surface of the vehicle roof rack forms no part of the claimed design.

1 Claim, 2 Drawing Sheets



US D481,003 S

Page 2

U.S. PATENT DOCUMENTS

| | | | | | | |
|-------------|-----------|--------------------|-------------|-----------|-------------------|---------|
| 5,470,003 A | 11/1995 | Cucheran | D406,557 S | 3/1999 | Bentley | |
| 5,551,617 A | 9/1996 | Ray et al. | D411,506 S | 6/1999 | Davis | |
| 5,713,498 A | 2/1998 | Cucci | D413,562 S | 9/1999 | Van Dusen et al. | |
| 5,758,810 A | 6/1998 | Stapleton | 6,056,176 A | 5/2000 | Aftanas et al. | |
| 5,769,292 A | 6/1998 | Cucheran et al. | D434,364 S | * 11/2000 | Bauer et al. | D12/412 |
| D399,481 S | * 10/1998 | Larson et al. | | | | D12/412 |

* cited by examiner

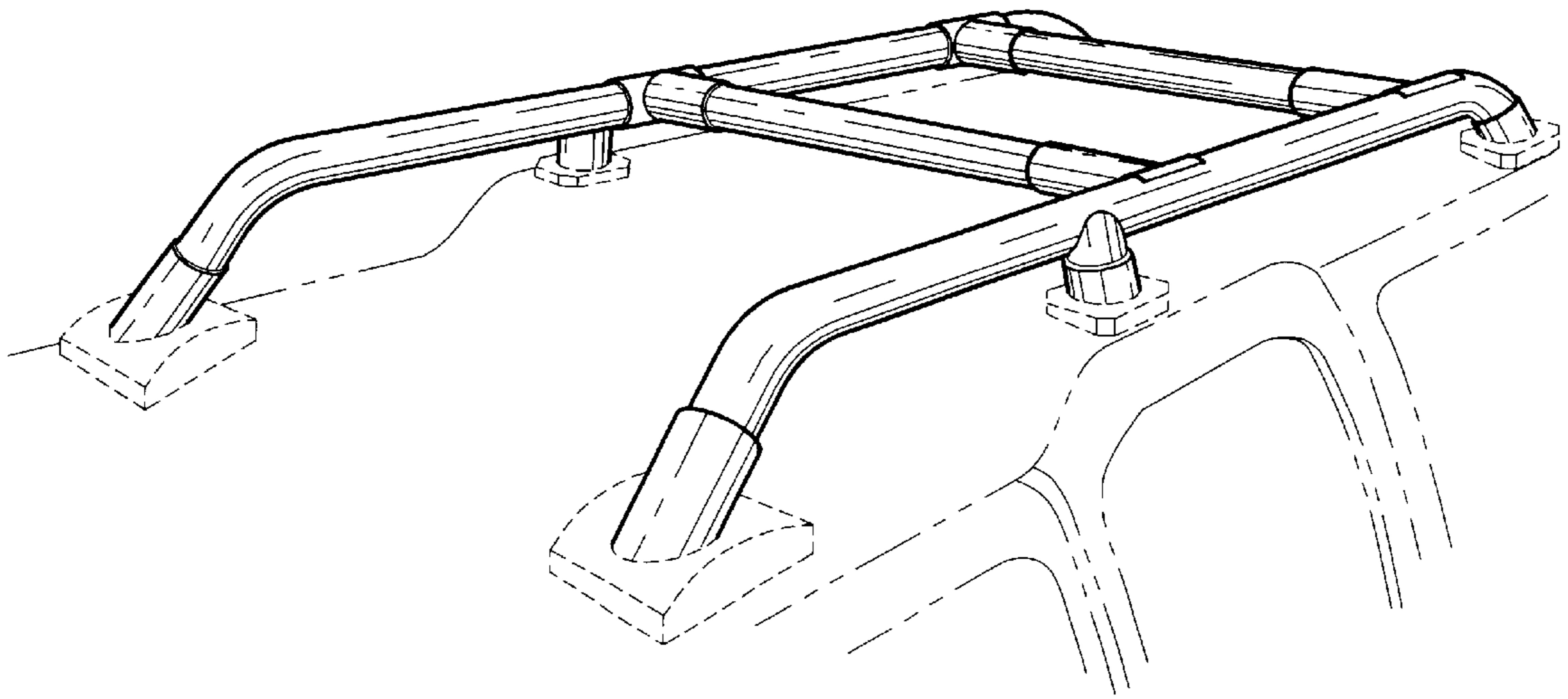


FIG. 1

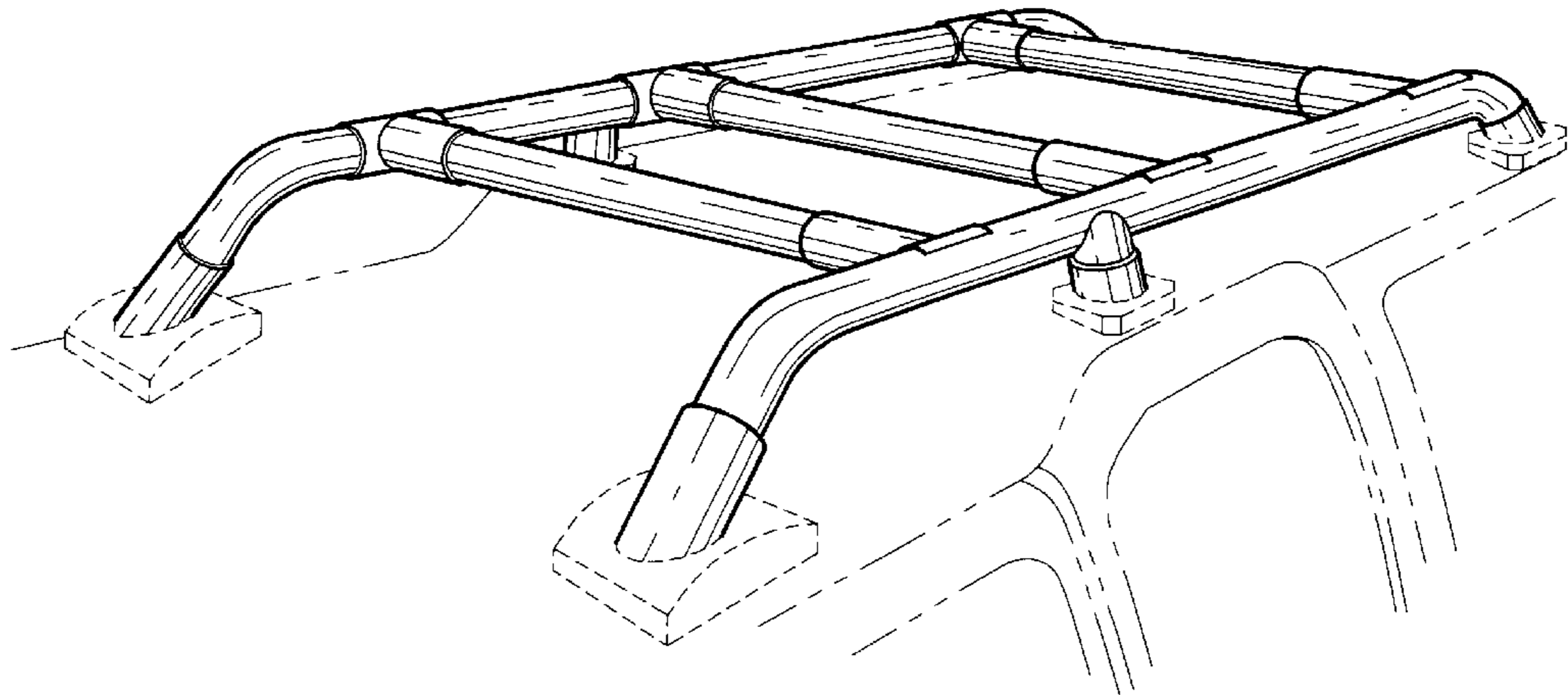


FIG. 2

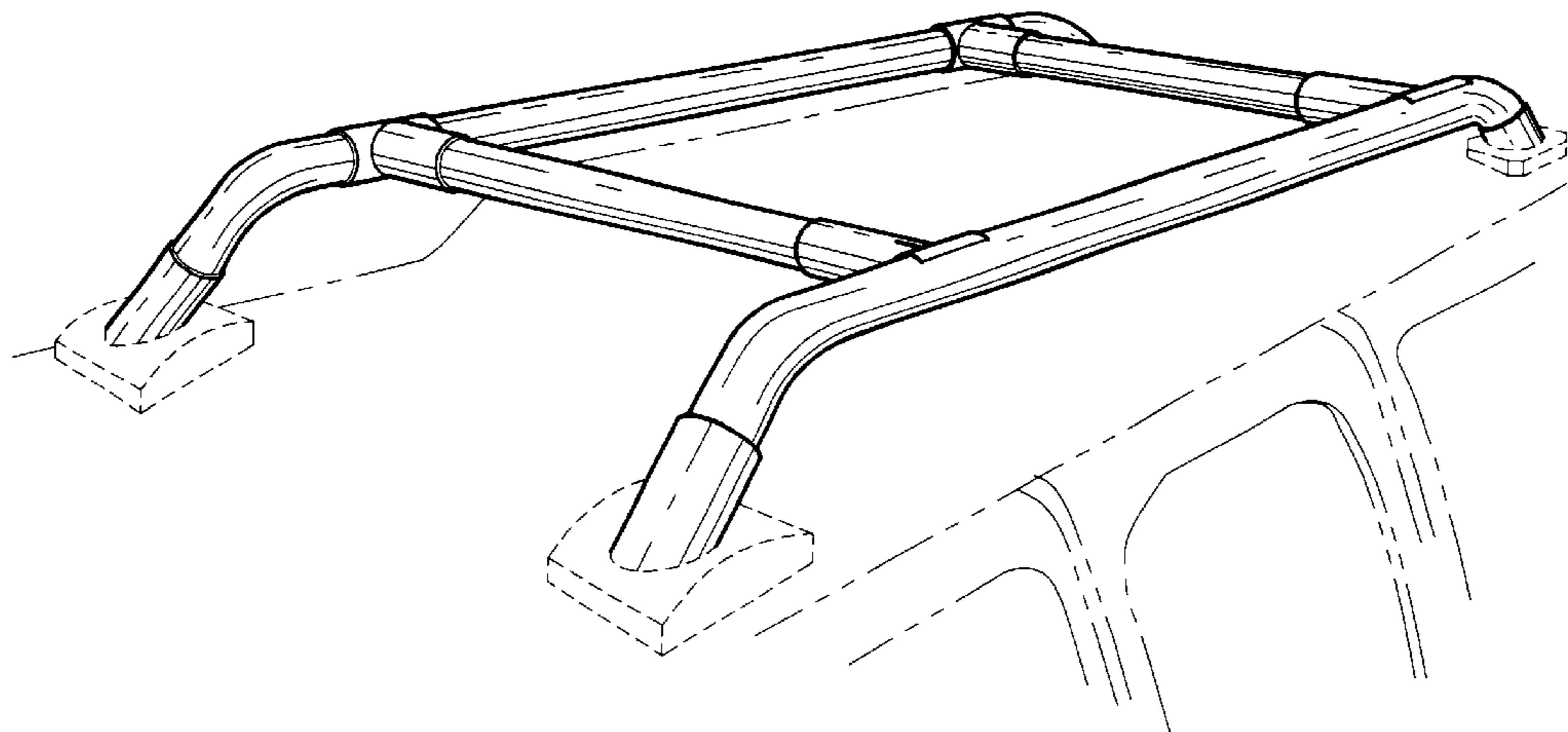


FIG. 3