



US00D481001S

(12) **United States Design Patent**
Gaudron

(10) **Patent No.:** **US D481,001 S**

(45) **Date of Patent:** **** Oct. 21, 2003**

(54) **ANCHOR**

(75) **Inventor:** **Paul Gaudron**, Stamford, CT (US)

(73) **Assignee:** **Powers Fasteners, Inc.**, New Rochelle, NY (US)

(**) **Term:** **14 Years**

(21) **Appl. No.:** **29/171,757**

(22) **Filed:** **Nov. 27, 2002**

(51) **LOC (7) Cl.** **12-06**

(52) **U.S. Cl.** **D12/215**

(58) **Field of Search** D12/317, 215;
114/297, 301, 304, 210; D8/354, 382, 394,
396; 248/300

(56) **References Cited**

U.S. PATENT DOCUMENTS

3,082,730	A	*	3/1963	Good	114/210
3,991,699	A	*	11/1976	Bass	114/210
4,248,171	A	*	2/1981	Barbour	114/210
D259,329	S	*	5/1981	Barbour	D8/356
5,996,524	A	*	12/1999	Johnson	114/210

OTHER PUBLICATIONS

Strap-Toggle™ web page for Powers Fasteners downloaded
Nov. 2002.

* cited by examiner

Primary Examiner—Holly Baynham

(74) *Attorney, Agent, or Firm*—Morgan, Lewis & Bockius
LLP

(57) **CLAIM**

The ornamental design for an anchor, as shown and
described.

DESCRIPTION

FIG. 1 is a perspective view of an anchor according to my
new design. The broken line showing of a locking cap,
ratchet legs and mounting holes in indicative of a possible
environment in which the anchor is used and does not form
part of the present design.

FIG. 2 is a left side view of the anchor of FIG. 1;

FIG. 3 is a right side view of the anchor of FIG. 1;

FIG. 4 is a front view of the anchor of FIG. 1;

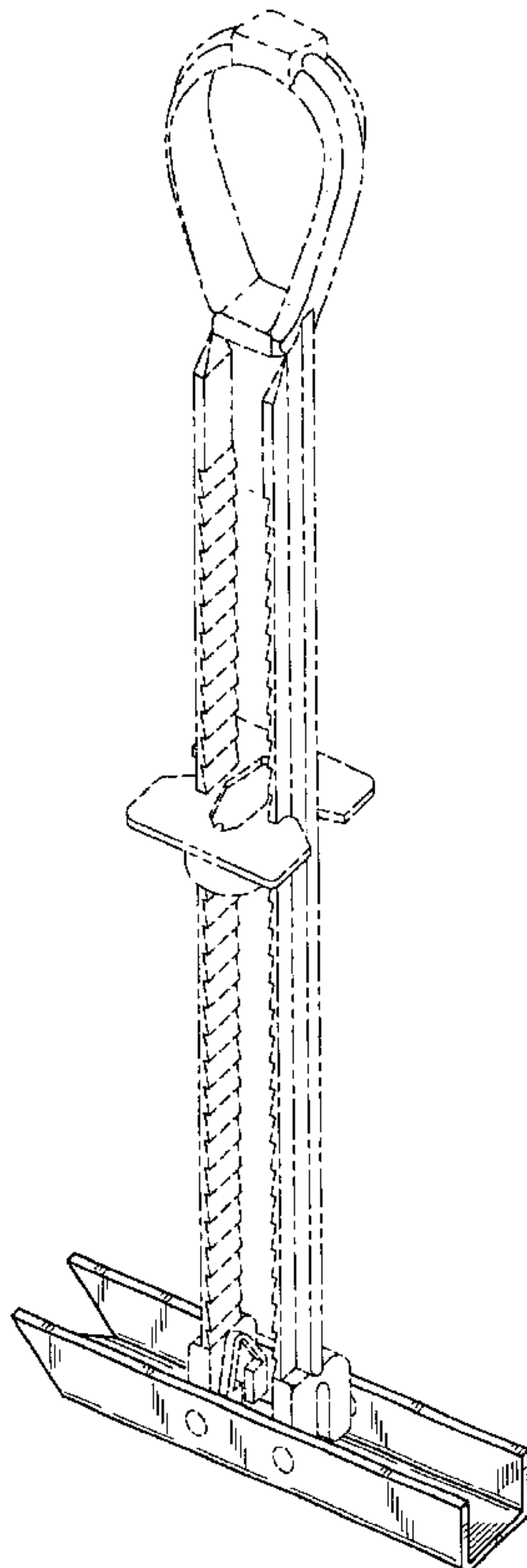
FIG. 5 is a rear view of the anchor of FIG. 1;

FIG. 6 is a top view of the anchor of FIG. 1; and,

FIG. 7 is a bottom view of the anchor of FIG. 1.

The broken line showing of anchor structure is for illustra-
tive purposes only and forms no part of the claimed design.

1 Claim, 4 Drawing Sheets



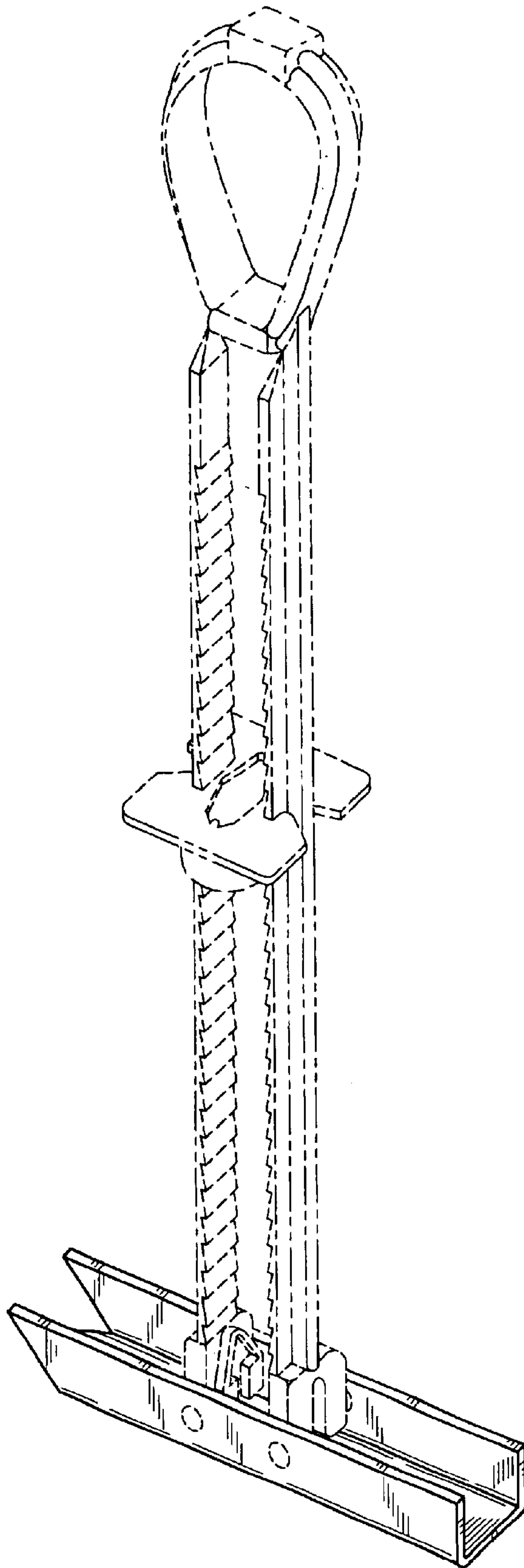


FIG. 1

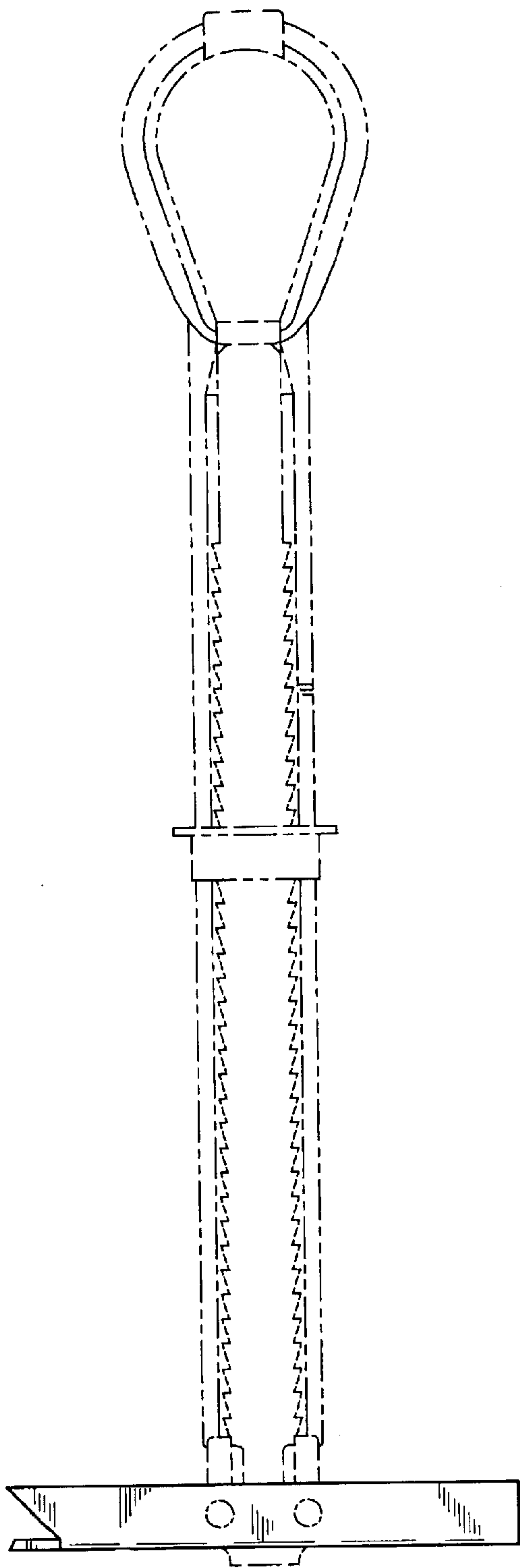


FIG. 2

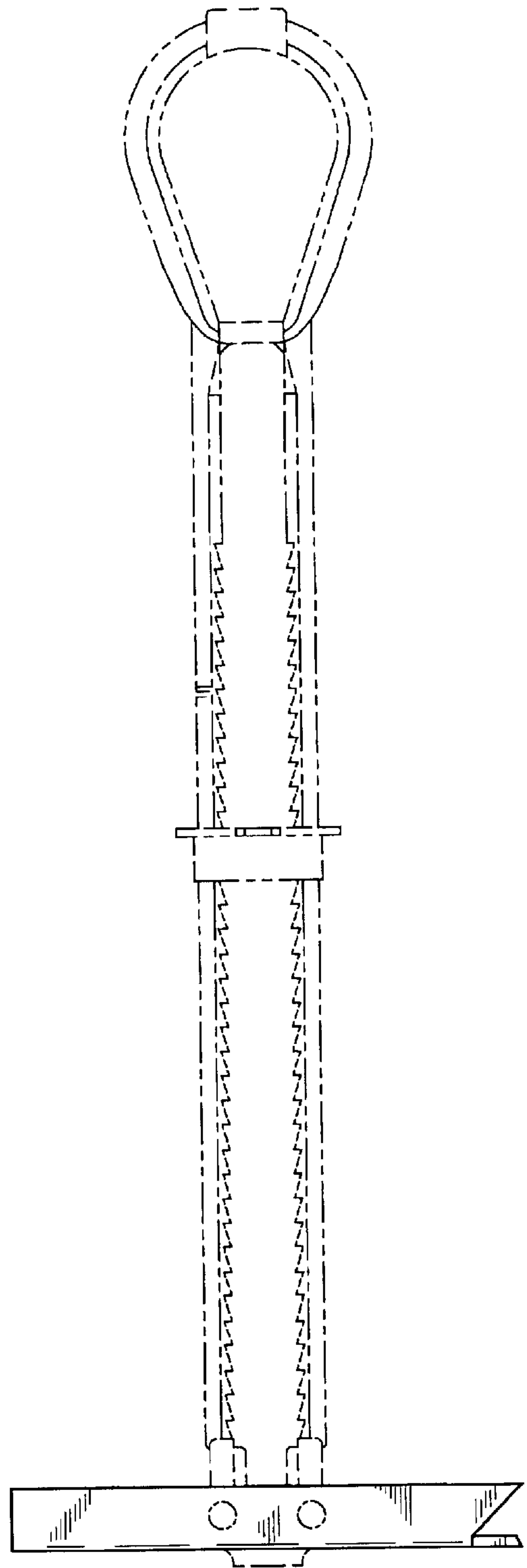


FIG. 3

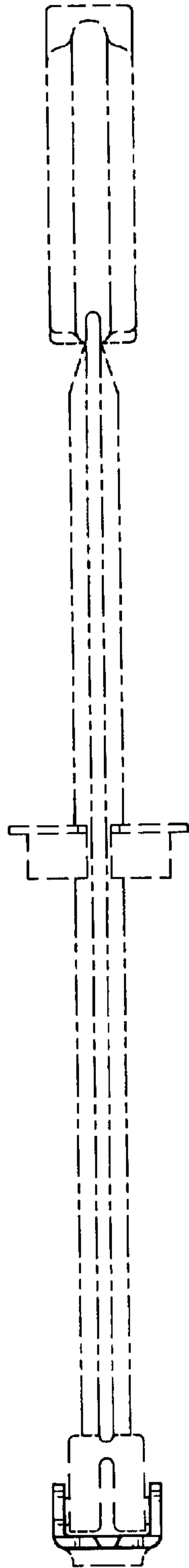


FIG.4

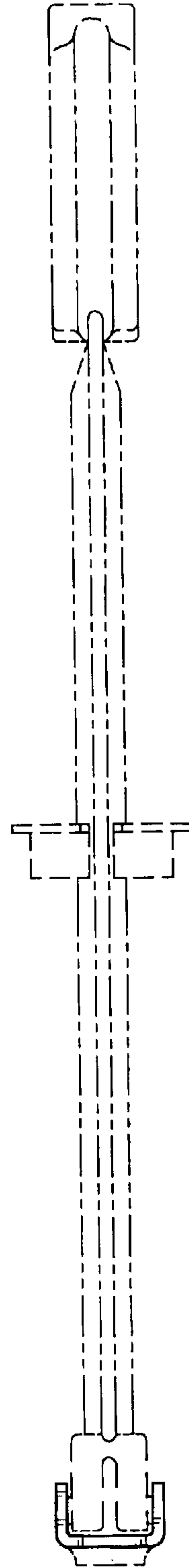


FIG.5

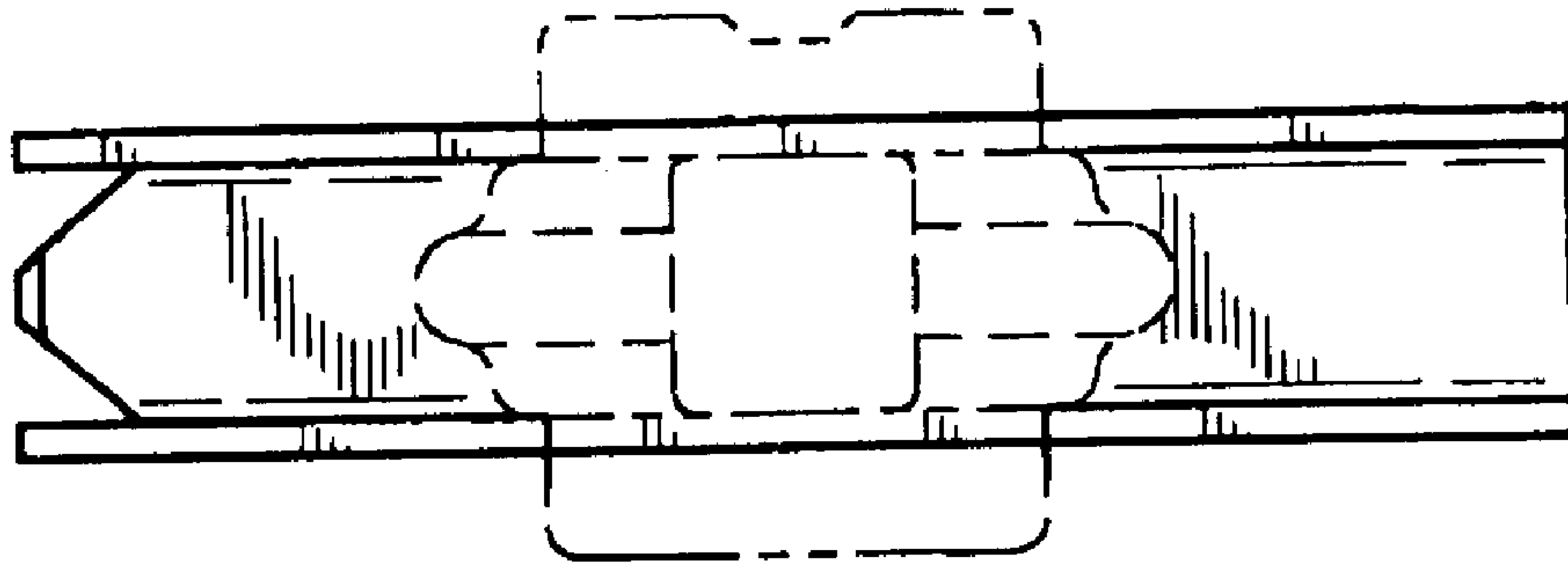


FIG. 6

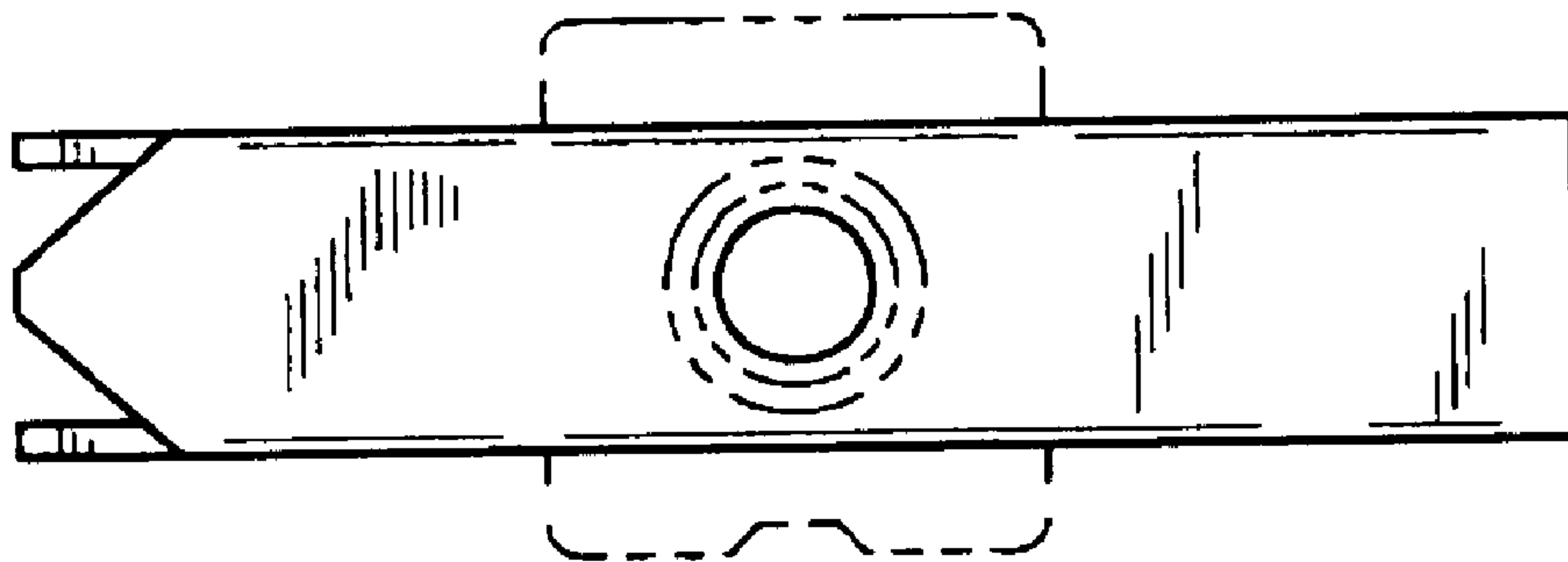


FIG. 7