



US00D481000S

(12) **United States Design Patent**
Wartono

(10) **Patent No.:** **US D481,000 S**

(45) **Date of Patent:** **** Oct. 21, 2003**

(54) **VEHICLE WHEEL**

(75) **Inventor:** **HEEL Wartono, Jawa Tengah (ID)**

(73) **Assignee:** **PT Prima Alloy Steel Universal, Sidoarjo (ID)**

(**) **Term:** **14 Years**

(21) **Appl. No.:** **29/178,335**

(22) **Filed:** **Mar. 24, 2003**

(51) **LOC (7) Cl.** **12-16**

(52) **U.S. Cl.** **D12/209**

(58) **Field of Search** **D12/204-211;**
301/37.101, 64.101, 65

(56) **References Cited**

U.S. PATENT DOCUMENTS

D442,535 S	*	5/2001	Lotson	D12/209
D455,696 S	*	4/2002	Foose	D12/209
D455,699 S	*	4/2002	Chung	D12/209
D458,207 S	*	6/2002	Hale, Jr.	D12/209
D461,155 S	*	8/2002	Takechi	D12/209
D466,462 S	*	12/2002	Lee	D12/209

D467,212 S	*	12/2002	Noriega	D12/209
D467,857 S	*	12/2002	Chung	D12/209
D471,499 S	*	3/2003	Cahyono	D12/209
D471,500 S	*	3/2003	Kataoka	D12/209
D473,505 S	*	4/2003	Min	D12/209

* cited by examiner

Primary Examiner—Stacia Cadmus

(74) *Attorney, Agent, or Firm*—Fulwider Patton Lee & Utecht, LLP

(57) **CLAIM**

The ornamental design for a “vehicle wheel”, as shown and described.

DESCRIPTION

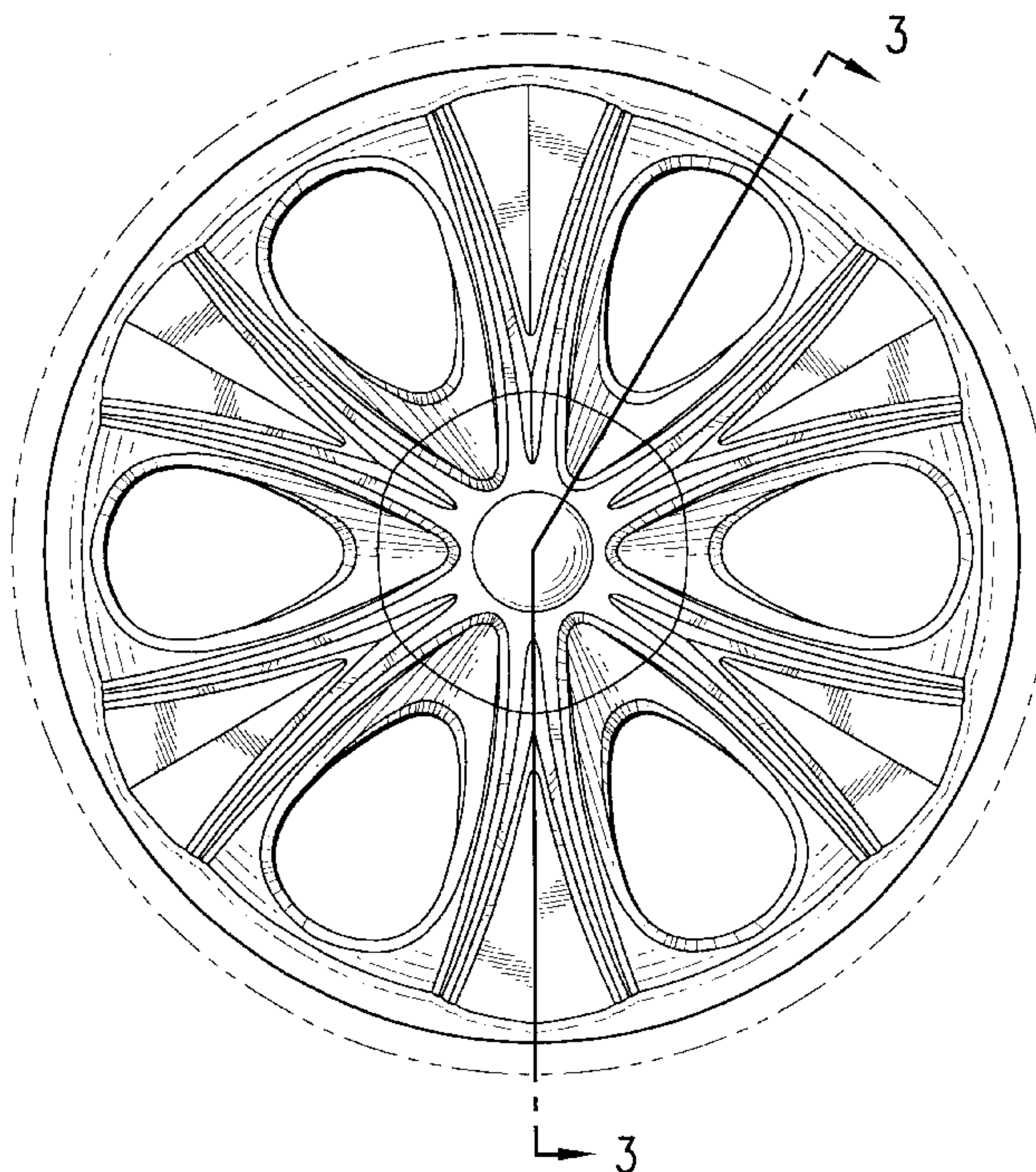
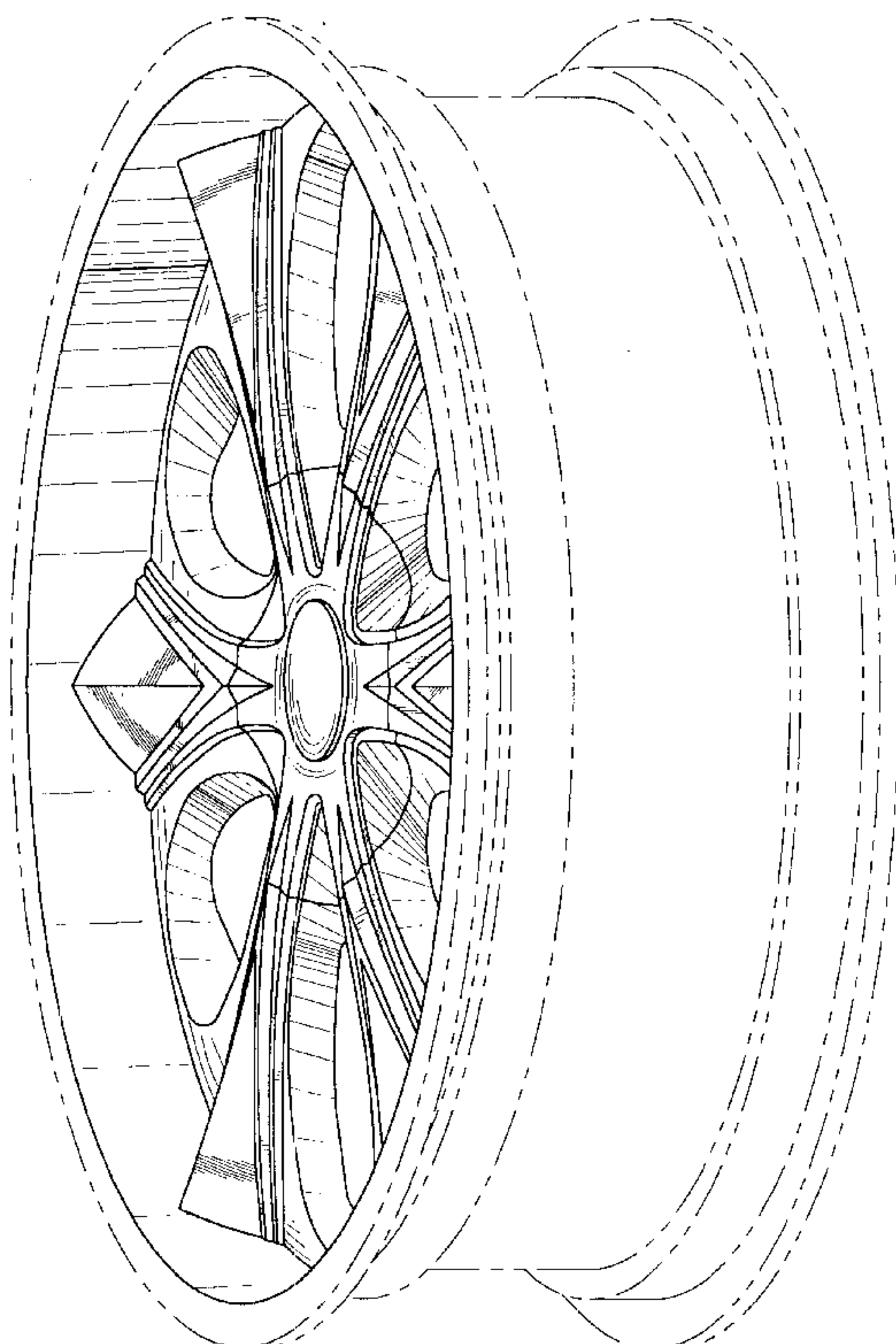
FIG. 1 is a perspective view of the vehicle wheel showing my new design;

FIG. 2 is a front view thereof; and,

FIG. 3 is a cross-sectional view thereof take along the line 3—3 of FIG. 2.

The broken line showing of environment is for illustrative purposes only and forms no part of the claimed design.

1 Claim, 3 Drawing Sheets



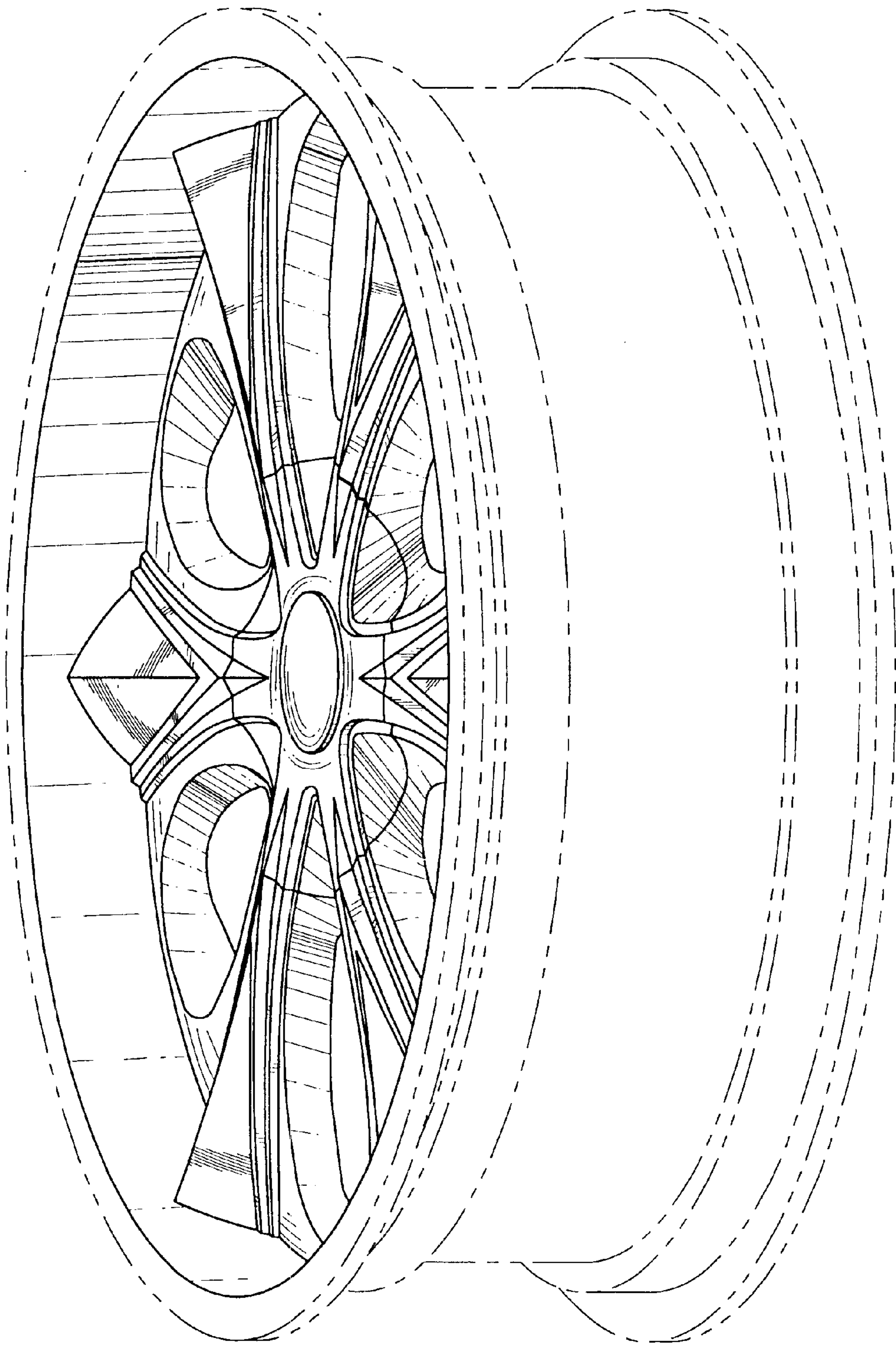


FIG. 1

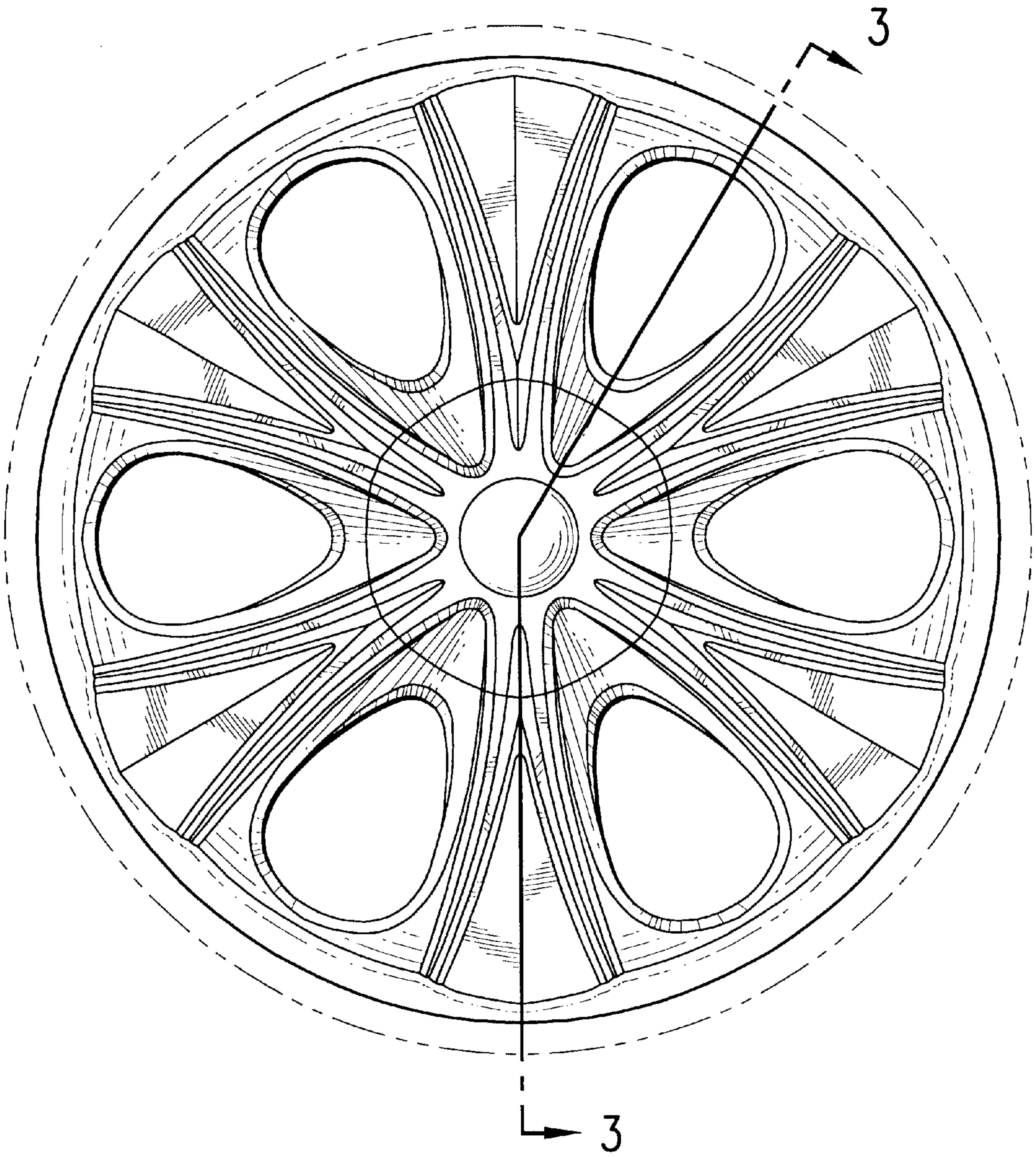


FIG. 2

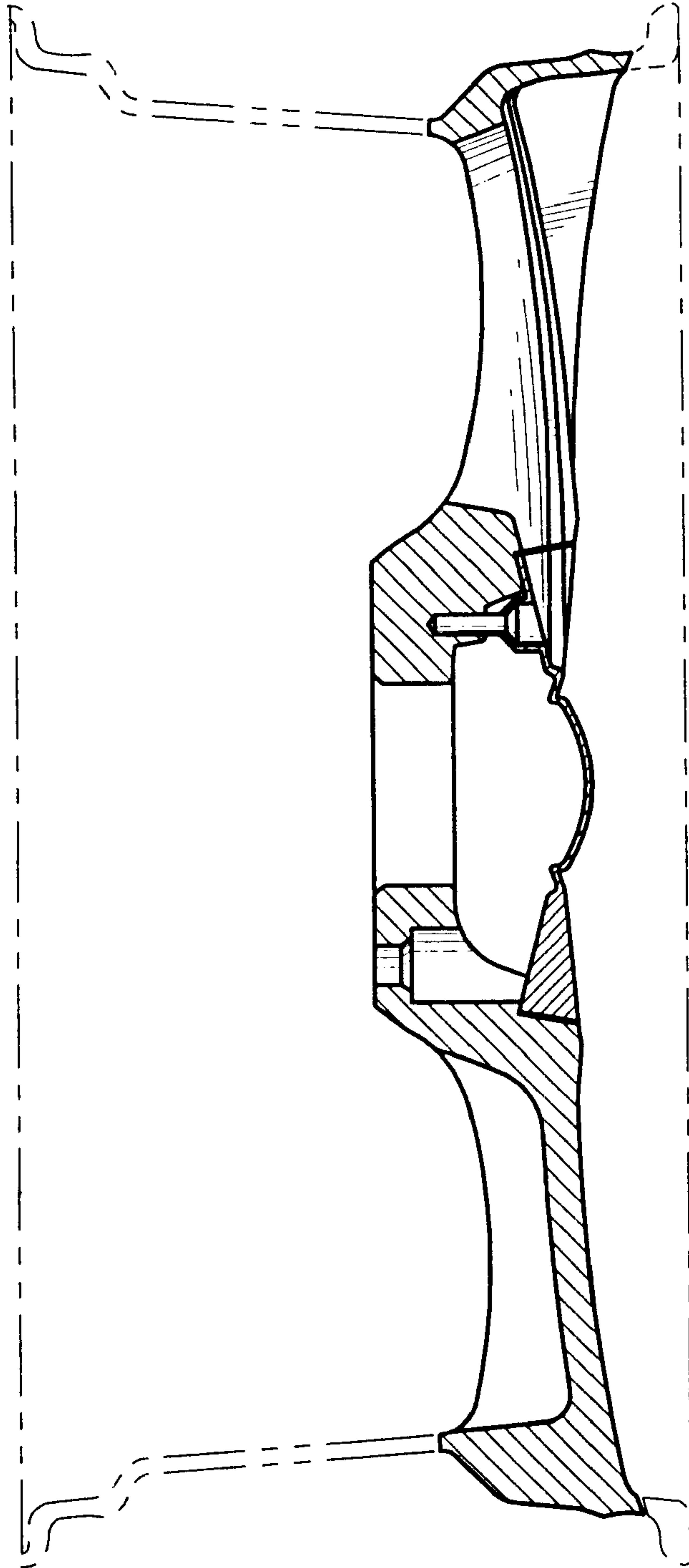


FIG. 3

UNITED STATES PATENT AND TRADEMARK OFFICE
CERTIFICATE OF CORRECTION

PATENT NO. : Des. 481,000 S
DATED : October 21, 2002
INVENTOR(S) : Wartono

Page 1 of 1

It is certified that error appears in the above-identified patent and that said Letters Patent is hereby corrected as shown below:

Title page,
Item [75], Inventors, delete "HEEL".

Signed and Sealed this

Twenty-seventh Day of January, 2004

A handwritten signature in black ink that reads "Jon W. Dudas". The signature is written in a cursive style with a large, looping initial "J".

JON W. DUDAS
Acting Director of the United States Patent and Trademark Office