



US00D480995S

(12) **United States Design Patent**
Owens

(10) **Patent No.:** **US D480,995 S**

(45) **Date of Patent:** **** Oct. 21, 2003**

(54) **SEAT FOR AN AMBULATORY DEVICE**

(75) Inventor: **John Owens**, Sheffield, OH (US)

(73) Assignee: **Invacare Corporation**, Elyria, OH (US)

(**) Term: **14 Years**

(21) Appl. No.: **29/168,945**

(22) Filed: **Oct. 11, 2002**

Related U.S. Application Data

(63) Continuation-in-part of application No. 09/977,122, filed on Oct. 12, 2001.

(51) **LOC (7) Cl.** **12-12**

(52) **U.S. Cl.** **D12/133**

(58) **Field of Search** D12/128-133;
280/202, 204, 218, 87.01, 87.02, 87.042,
87.043

(56) **References Cited**

U.S. PATENT DOCUMENTS

2,685,325	A	8/1954	Webster
2,798,533	A	7/1957	Frank
2,866,495	A	12/1958	Diehl et al.
3,354,893	A	11/1967	Schmerl
4,461,471	A	7/1984	Brastow

(List continued on next page.)

Primary Examiner—Marcus A. Jackson

(74) *Attorney, Agent, or Firm*—Calfee, Halter & Griswold LLP

(57) **CLAIM**

The ornamental design for seat for an ambulatory device, as shown and described.

DESCRIPTION

FIG. 1 is a perspective view of a seat showing the new design;

FIG. 2 is a left side view of the seat of FIG. 1;

FIG. 3 is a back view of seat of FIG. 1;

FIG. 4 is a right side view of the seat of FIG. 1;

FIG. 5 is a front view of the seat of FIG. 1;

FIG. 6 is a top view of the seat of FIG. 1;

FIG. 7 is a bottom view of the seat of FIG. 1;

FIG. 8 is a perspective view of the seat of FIG. 1;

FIG. 9 is a perspective view of a second embodiment of the seat of the new design;

FIG. 10 is a left side view of the seat of FIG. 9;

FIG. 11 is a front view of seat of FIG. 9;

FIG. 12 is a right side view of the seat of FIG. 9;

FIG. 13 is a back view of the seat of FIG. 9;

FIG. 14 is a top view of the seat of FIG. 9;

FIG. 15 is a bottom view of the seat of FIG. 9;

FIG. 16 is a perspective view of the seat of FIG. 9;

FIG. 17 is a perspective view of a third embodiment of the seat of the new design;

FIG. 18 is a left side view of the seat of FIG. 17;

FIG. 19 is a front view of seat of FIG. 17;

FIG. 20 is a right side view of the seat of FIG. 17;

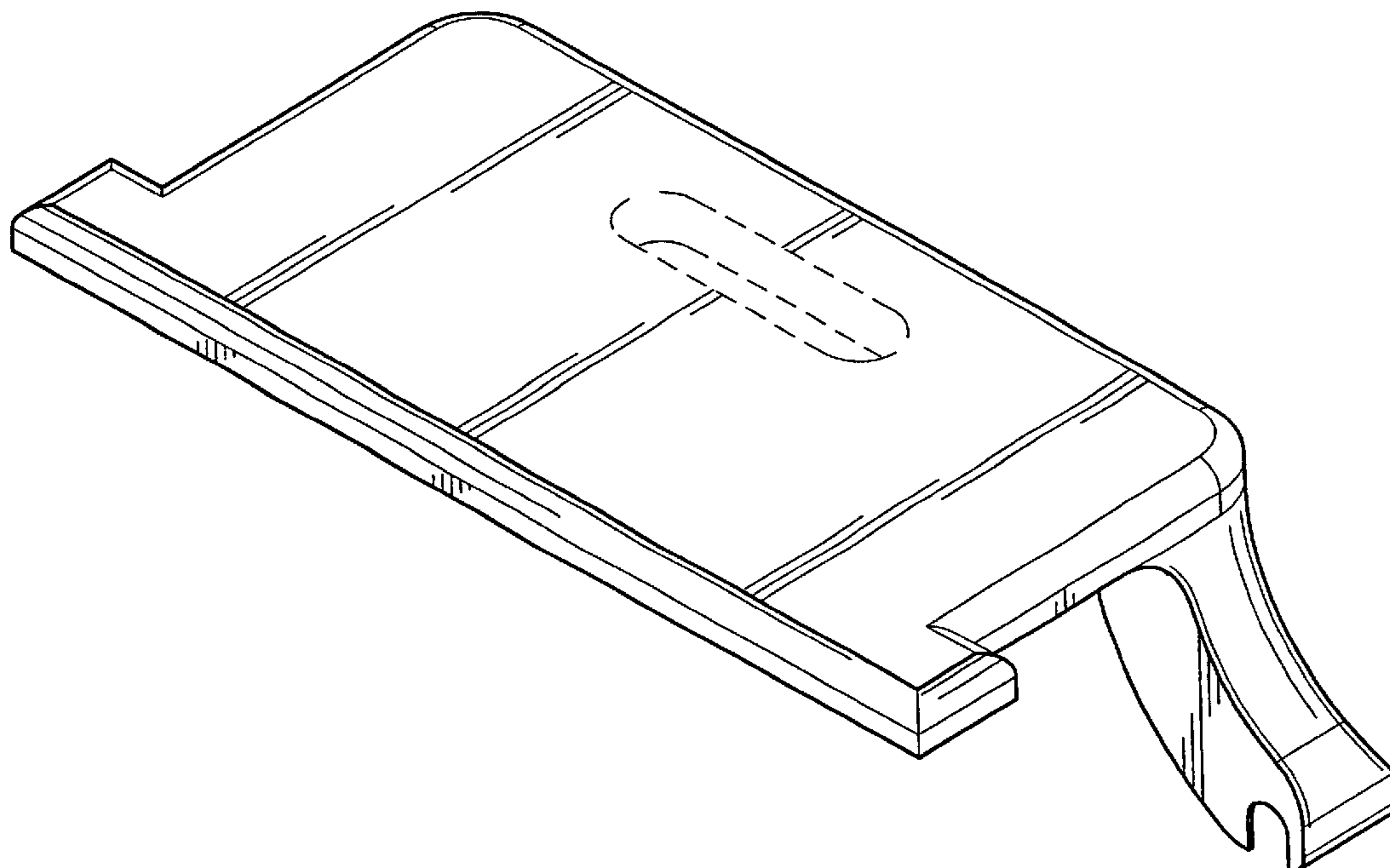
FIG. 21 is a back view of the seat of FIG. 17;

FIG. 22 is a top view of the seat of FIG. 17;

FIG. 23 is a bottom view of the seat of FIG. 17; and,

FIG. 24 is a perspective view of the seat of FIG. 17.

1 Claim, 9 Drawing Sheets



US D480,995 S

Page 2

U.S. PATENT DOCUMENTS

4,518,002 A	5/1985	Battiston, Sr. et al.	5,558,358 A	9/1996	Johnson
4,640,301 A	2/1987	Battiston, Sr. et al.	5,560,636 A	10/1996	Chen
4,643,211 A	2/1987	Morris et al.	5,579,793 A	12/1996	Gajewski et al.
4,907,794 A	3/1990	Rose	5,603,517 A	2/1997	Lorman
D310,646 S	9/1990	Rose	5,882,067 A	3/1999	Carbajal et al.
5,020,560 A	6/1991	Turbeville	5,904,168 A	5/1999	Alulyan
5,172,715 A	12/1992	Webb	5,979,476 A	11/1999	Cranny
5,201,333 A	4/1993	Shalmon et al.	D422,539 S *	4/2000	Jacobson D12/133
5,224,717 A	7/1993	Lowen	6,099,002 A	8/2000	Uchiyama
5,224,721 A	7/1993	Santmann	6,338,493 B1	1/2002	Wohlgemuth et al.
5,275,187 A	1/1994	Davis	6,345,835 B1	2/2002	Watkins
D344,917 S	3/1994	Kjell et al.	6,371,142 B1	4/2002	Battiston
5,353,824 A	10/1994	Woods et al.	6,378,883 B1	4/2002	Epstein
5,409,028 A	4/1995	Lee	D457,111 S *	5/2002	Galleguillos D12/133
5,419,571 A	5/1995	Vaughan	D465,178 S *	11/2002	Hart D12/133
5,433,235 A	7/1995	Miric et al.	6,481,730 B2	11/2002	Sung
5,529,425 A	6/1996	Spies et al.	6,494,469 B1	12/2002	Hara et al.

* cited by examiner

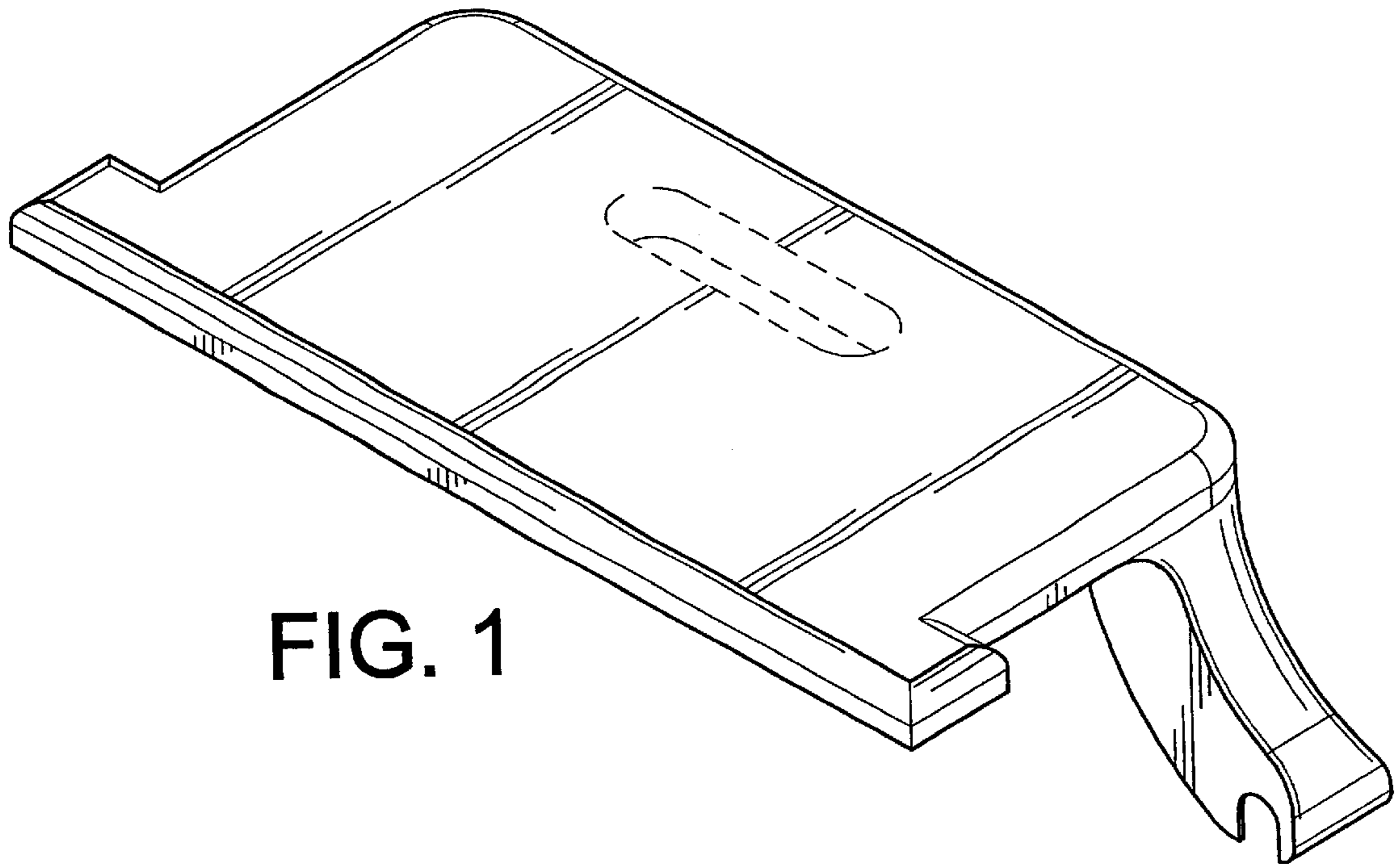


FIG. 1

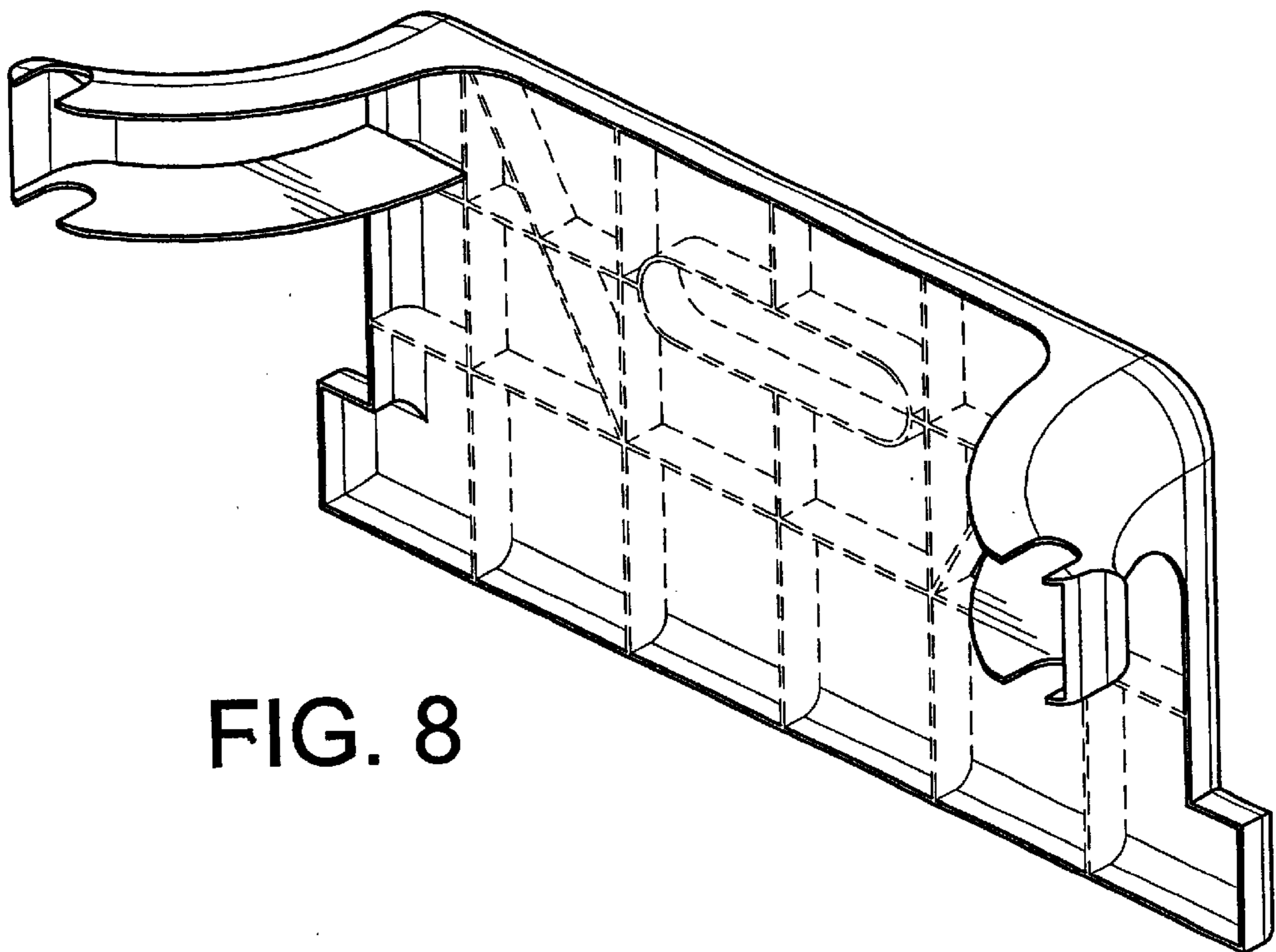


FIG. 8

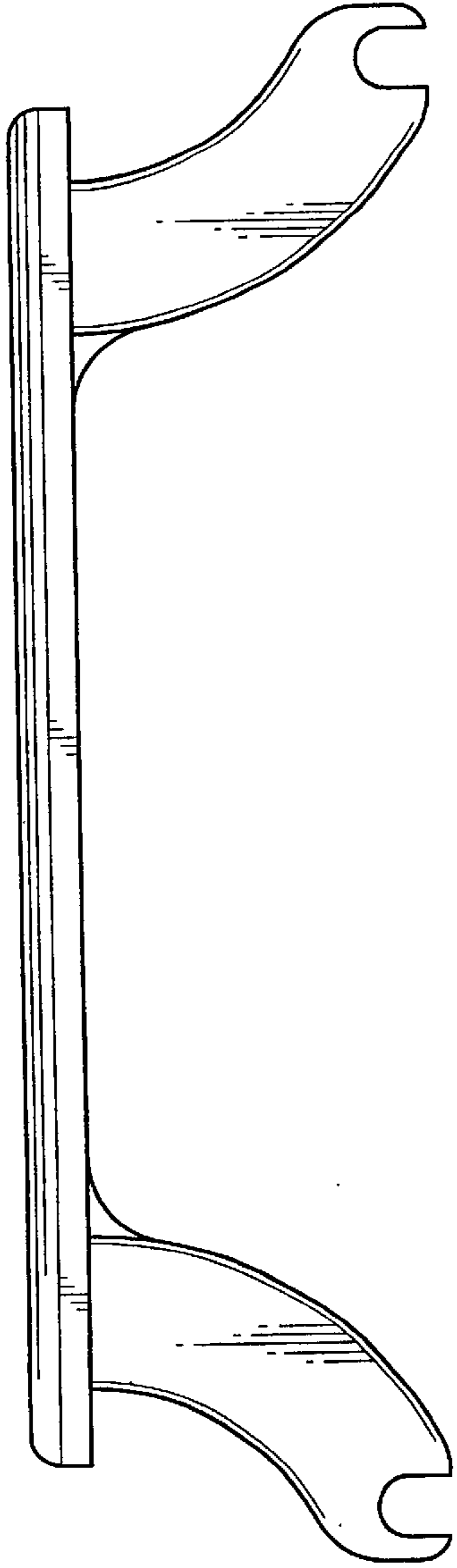


FIG. 3

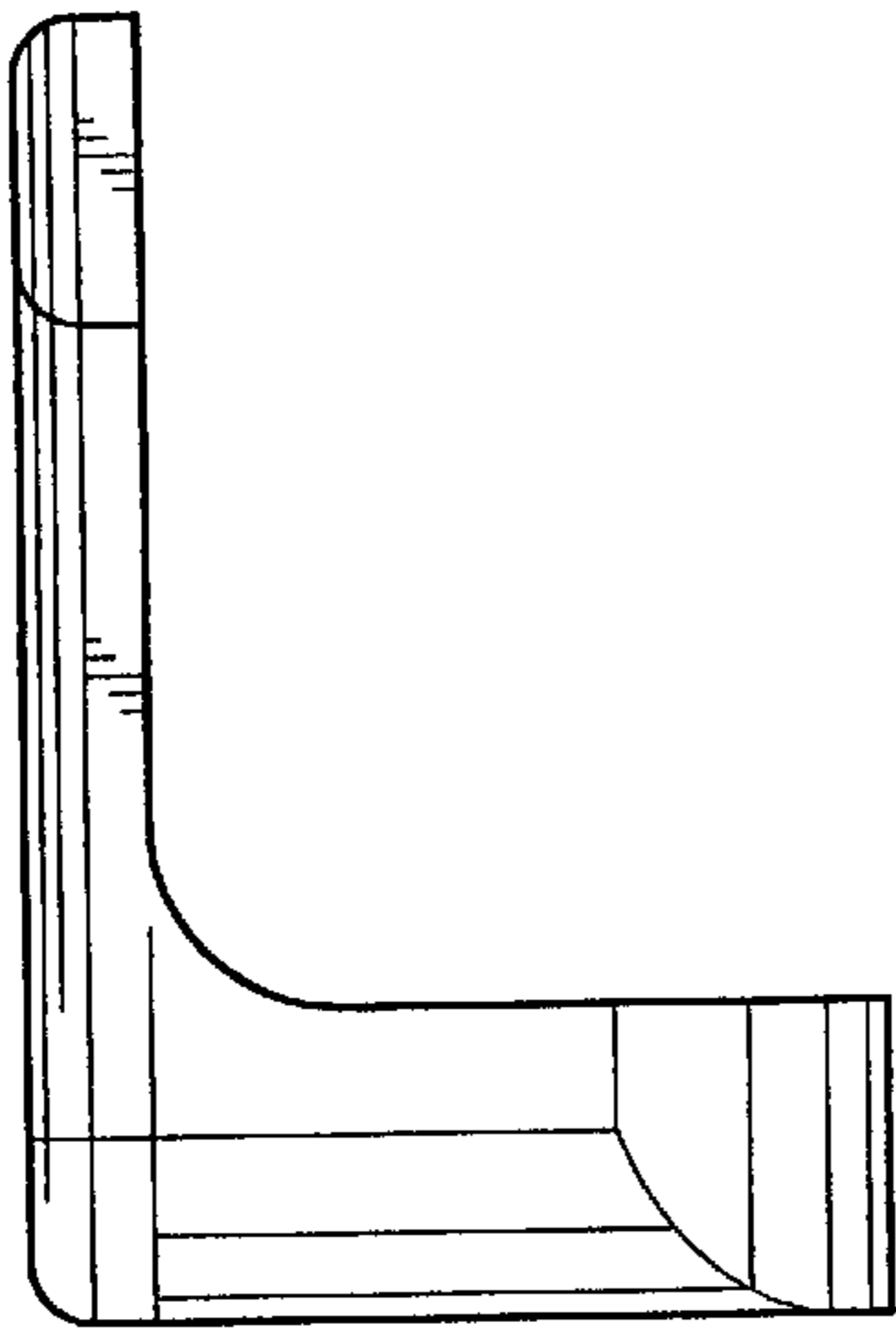


FIG. 2

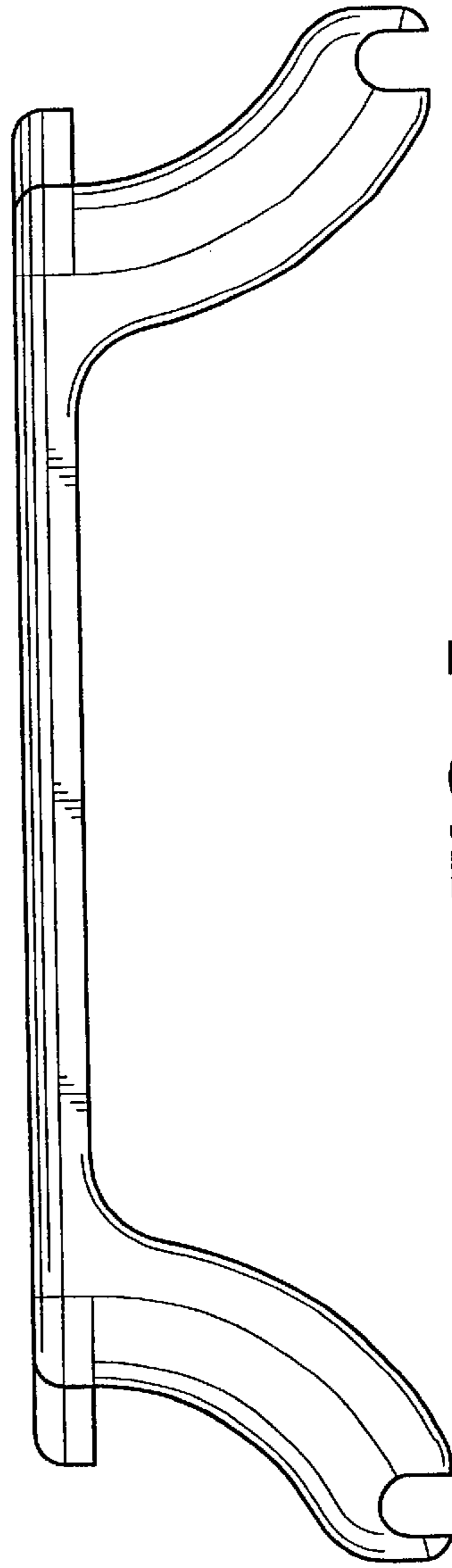


FIG. 5

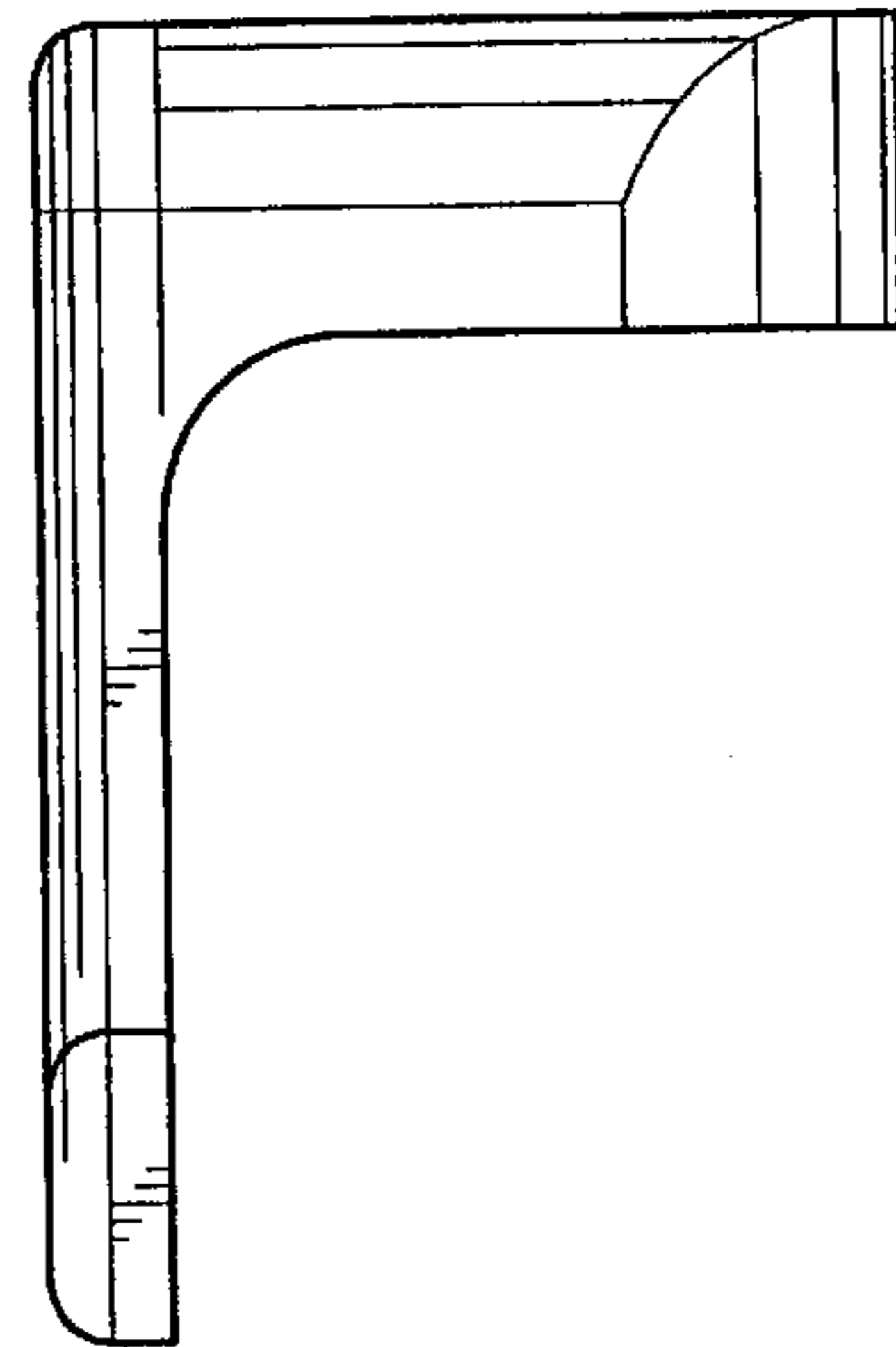


FIG. 4

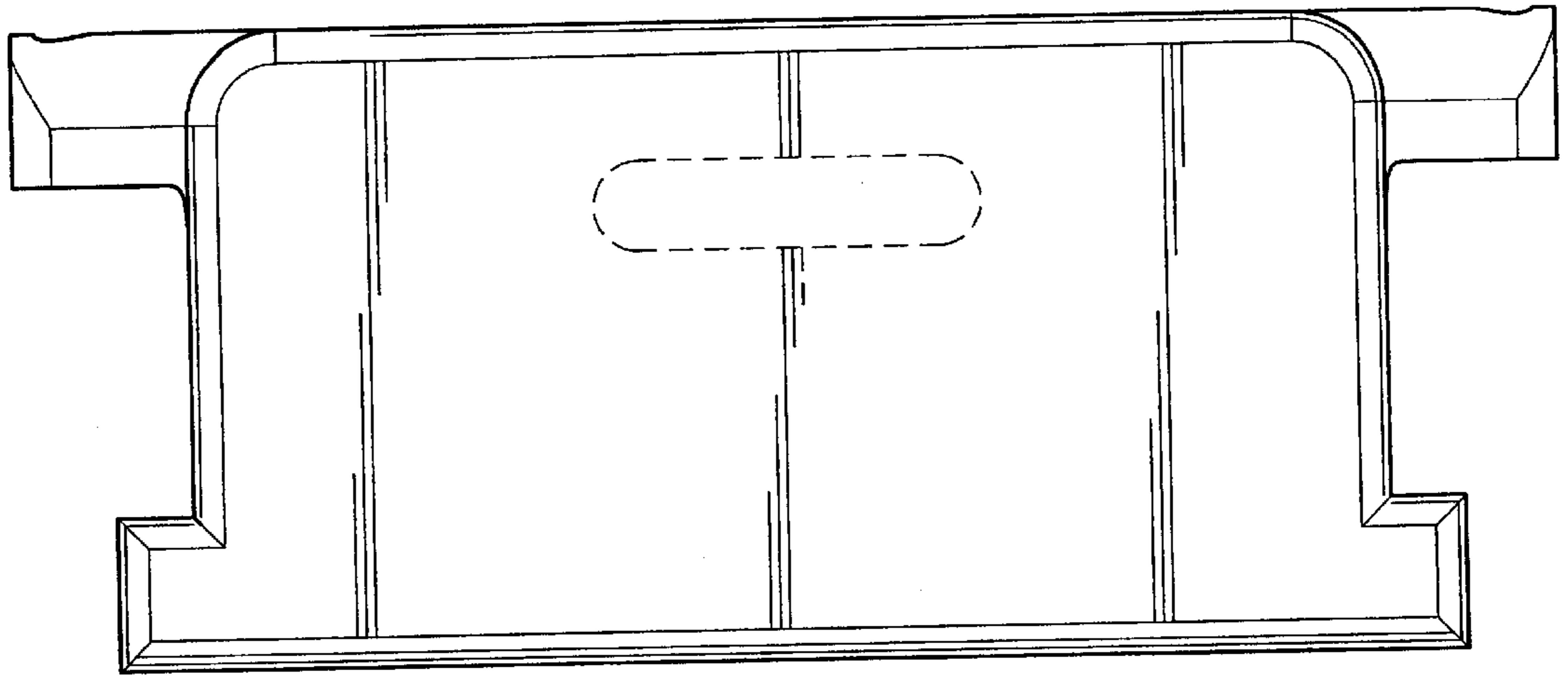


FIG. 6

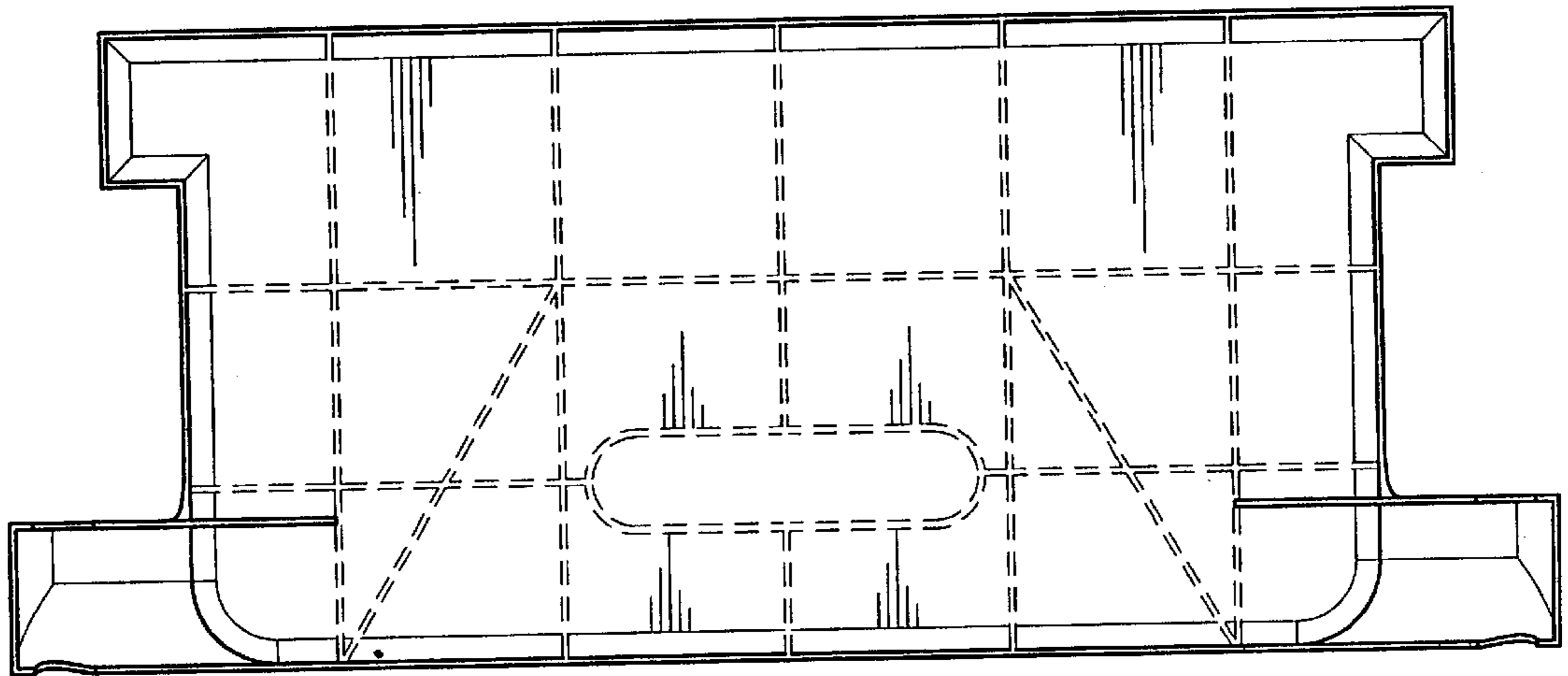


FIG. 7

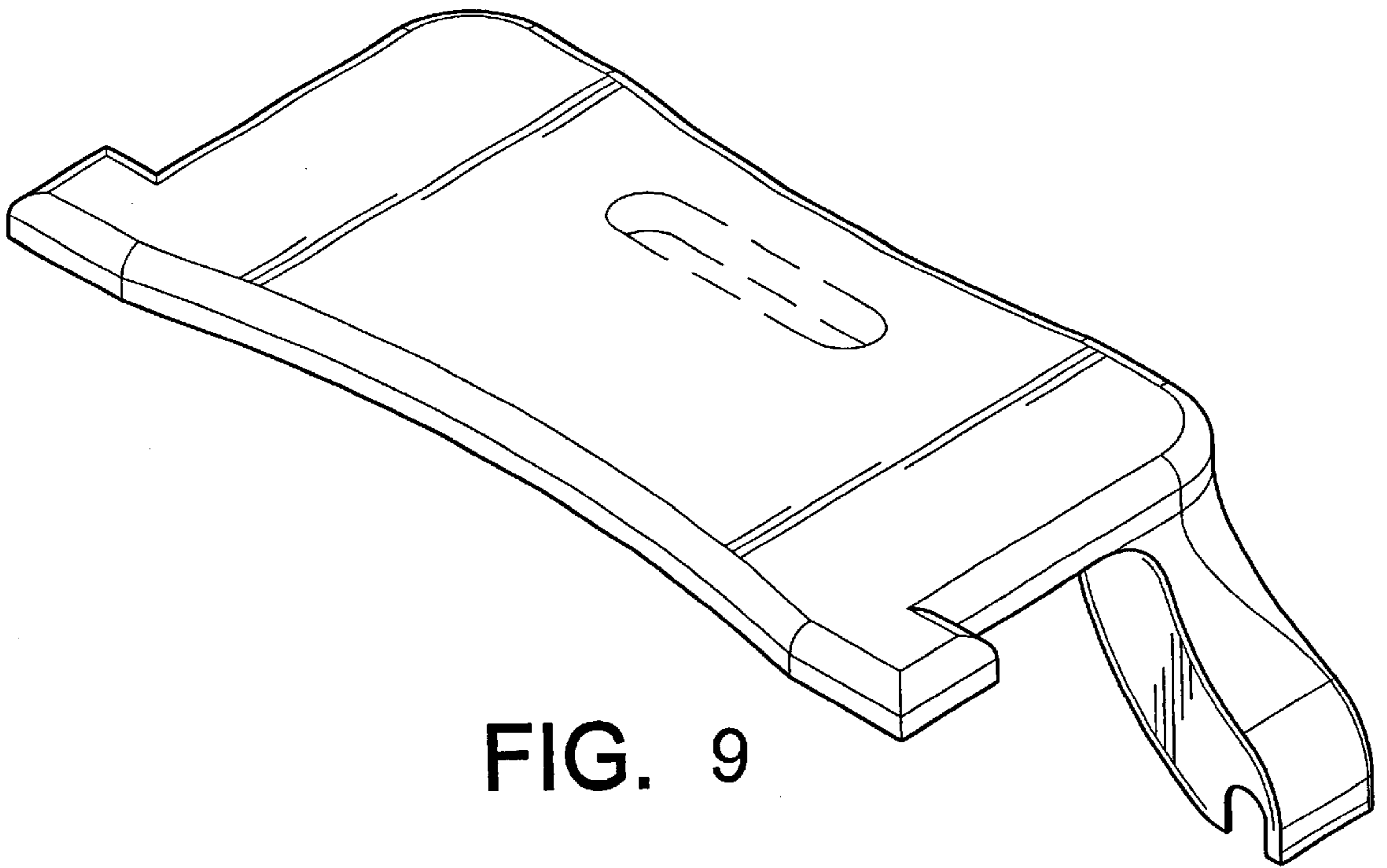


FIG. 9

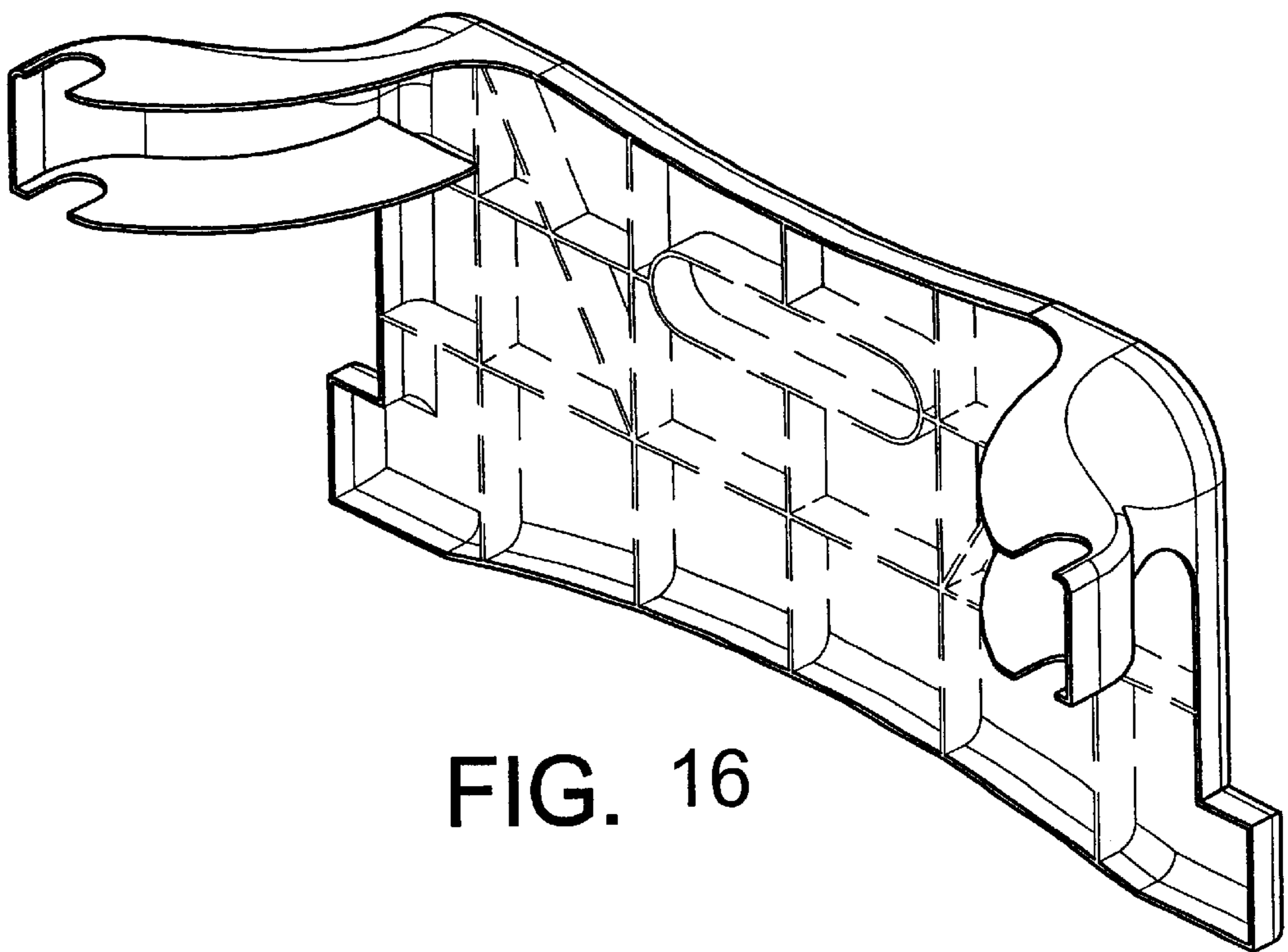


FIG. 16

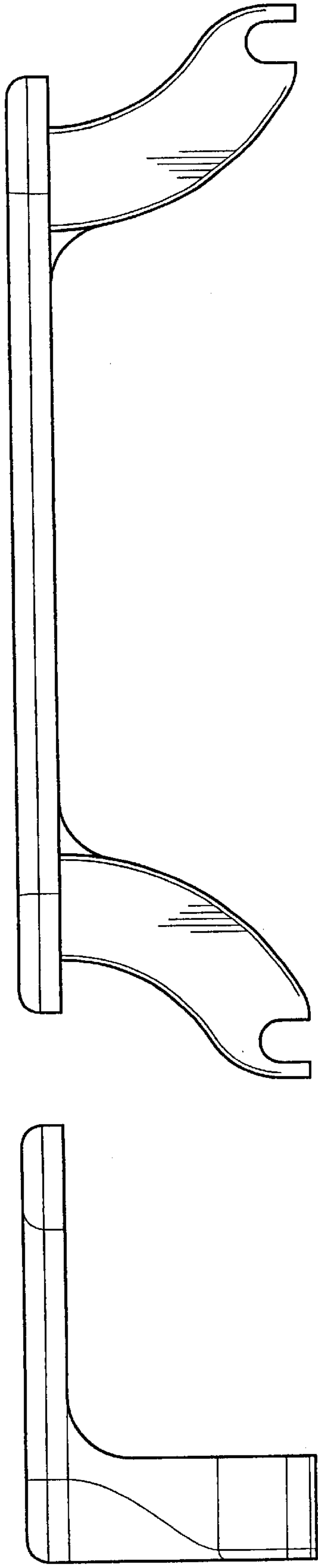


FIG. 10

FIG. 11

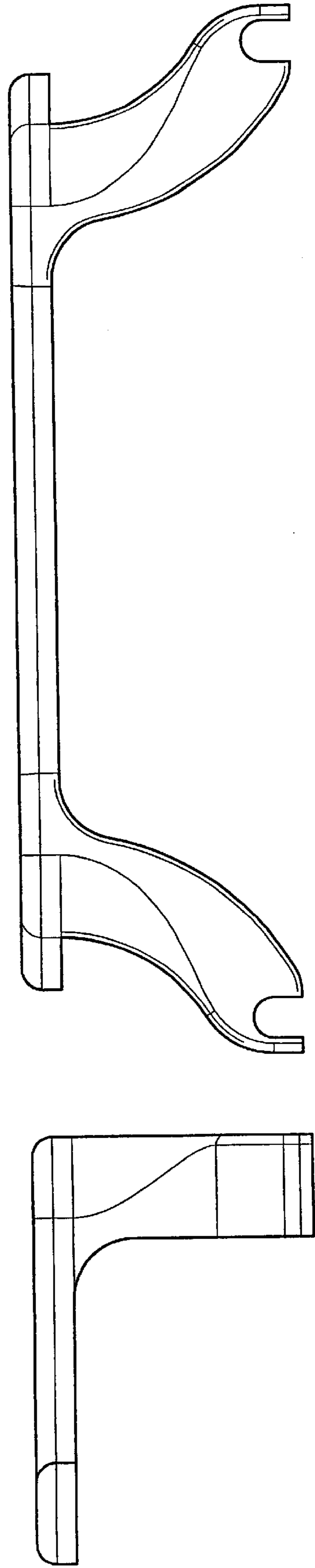


FIG. 12

FIG. 13

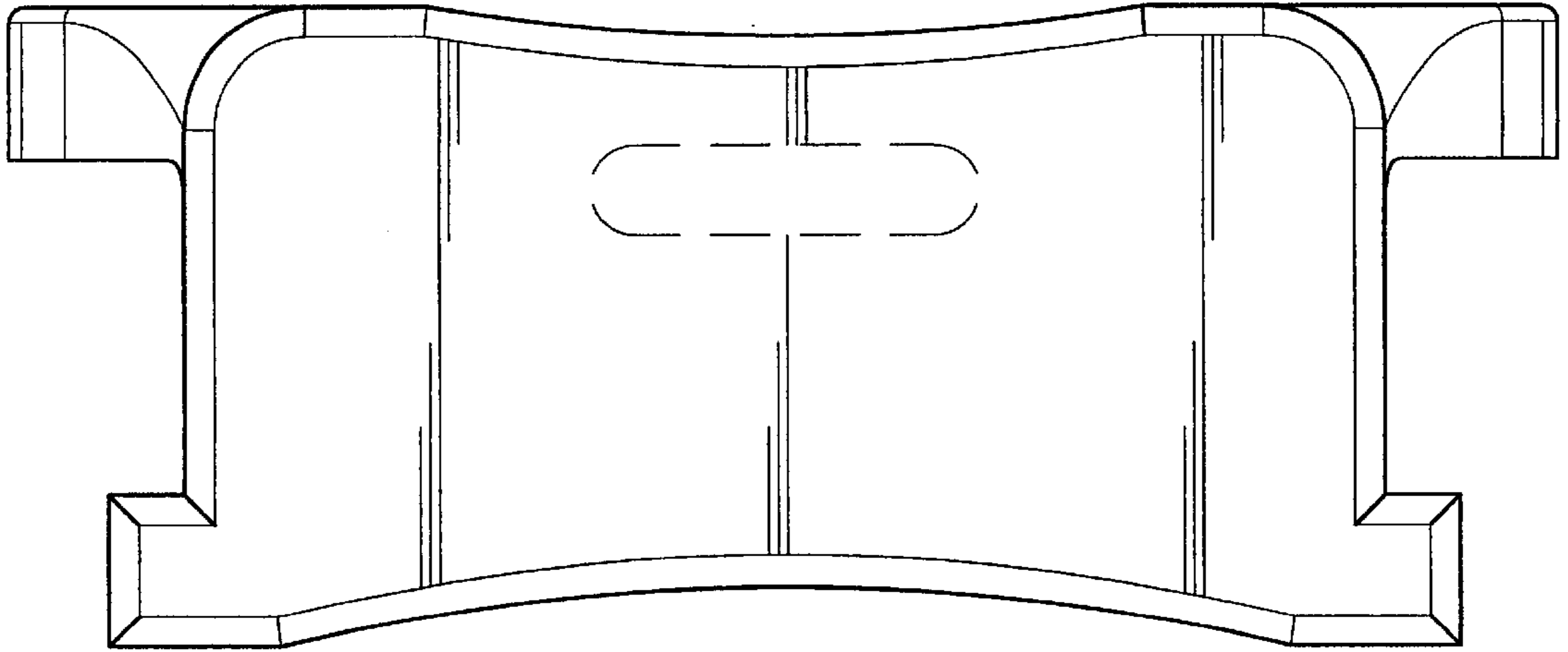


FIG. 14

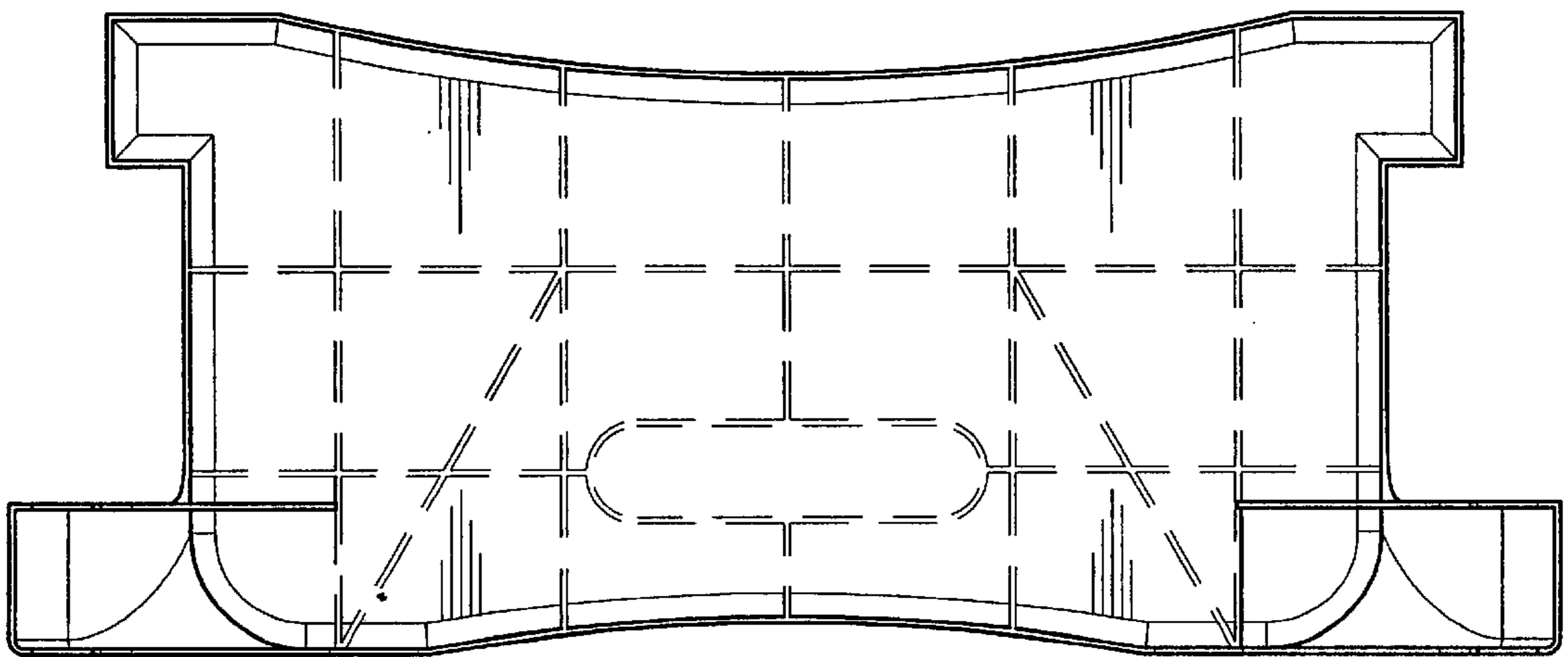


FIG. 15

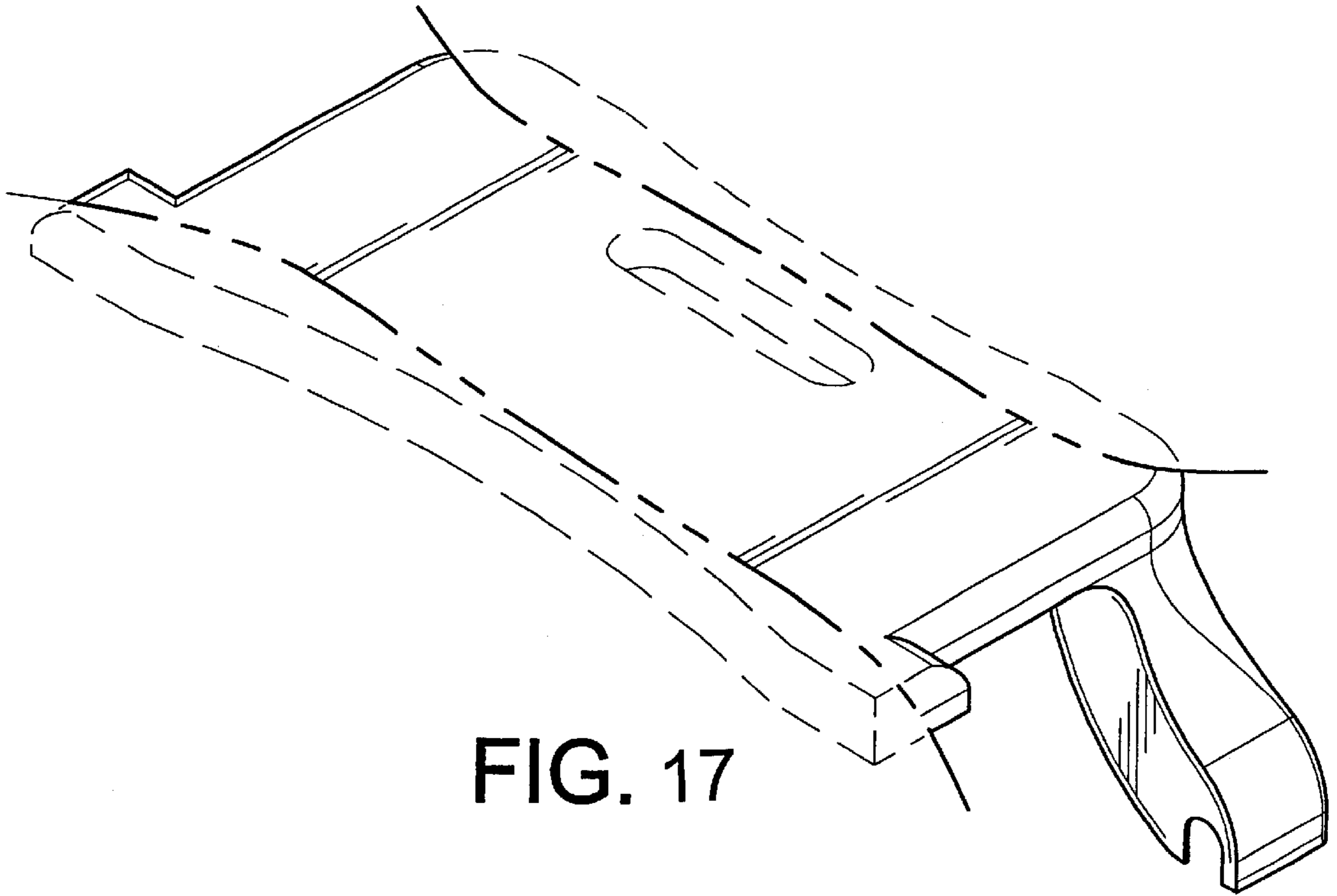


FIG. 17

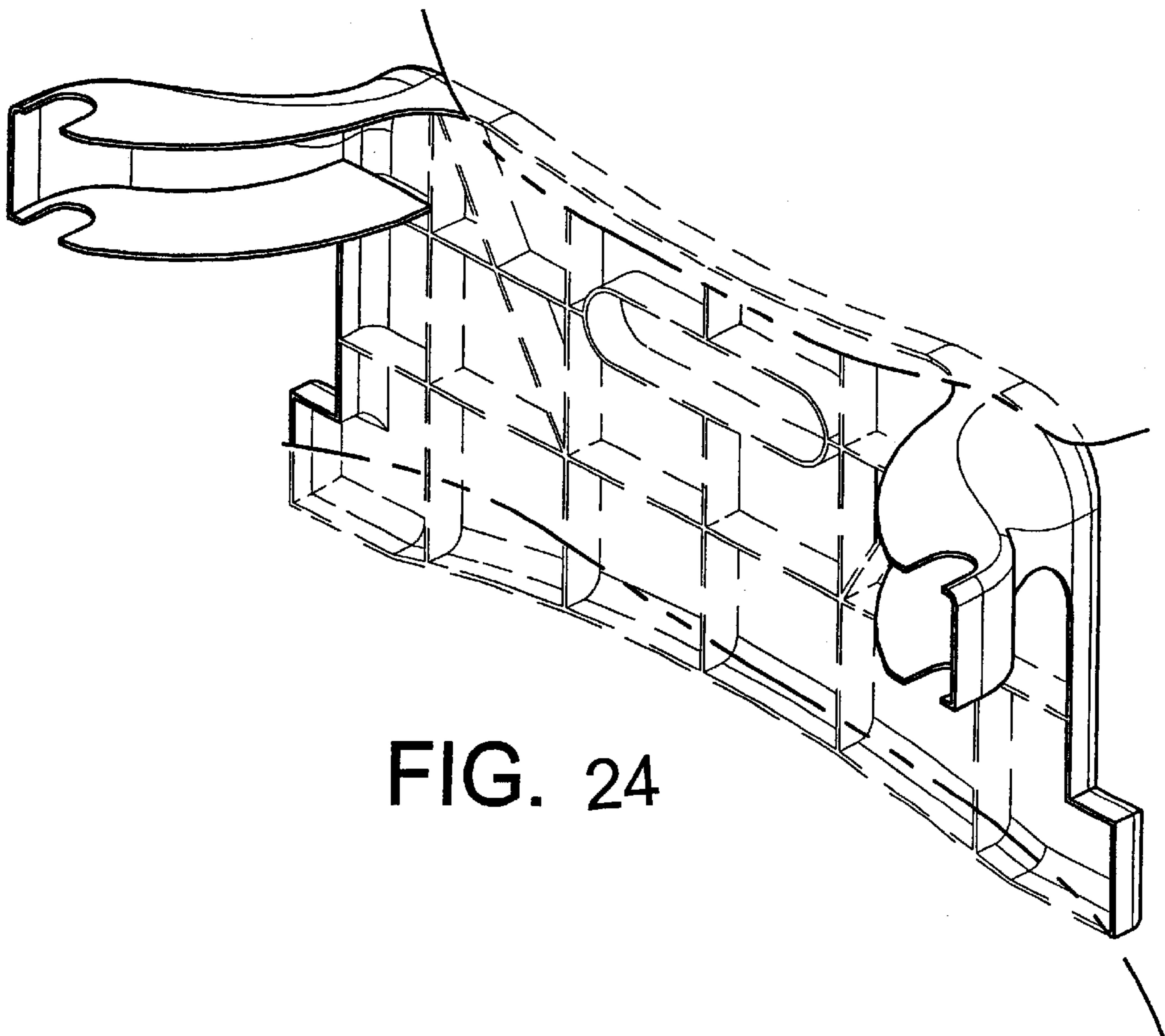


FIG. 24

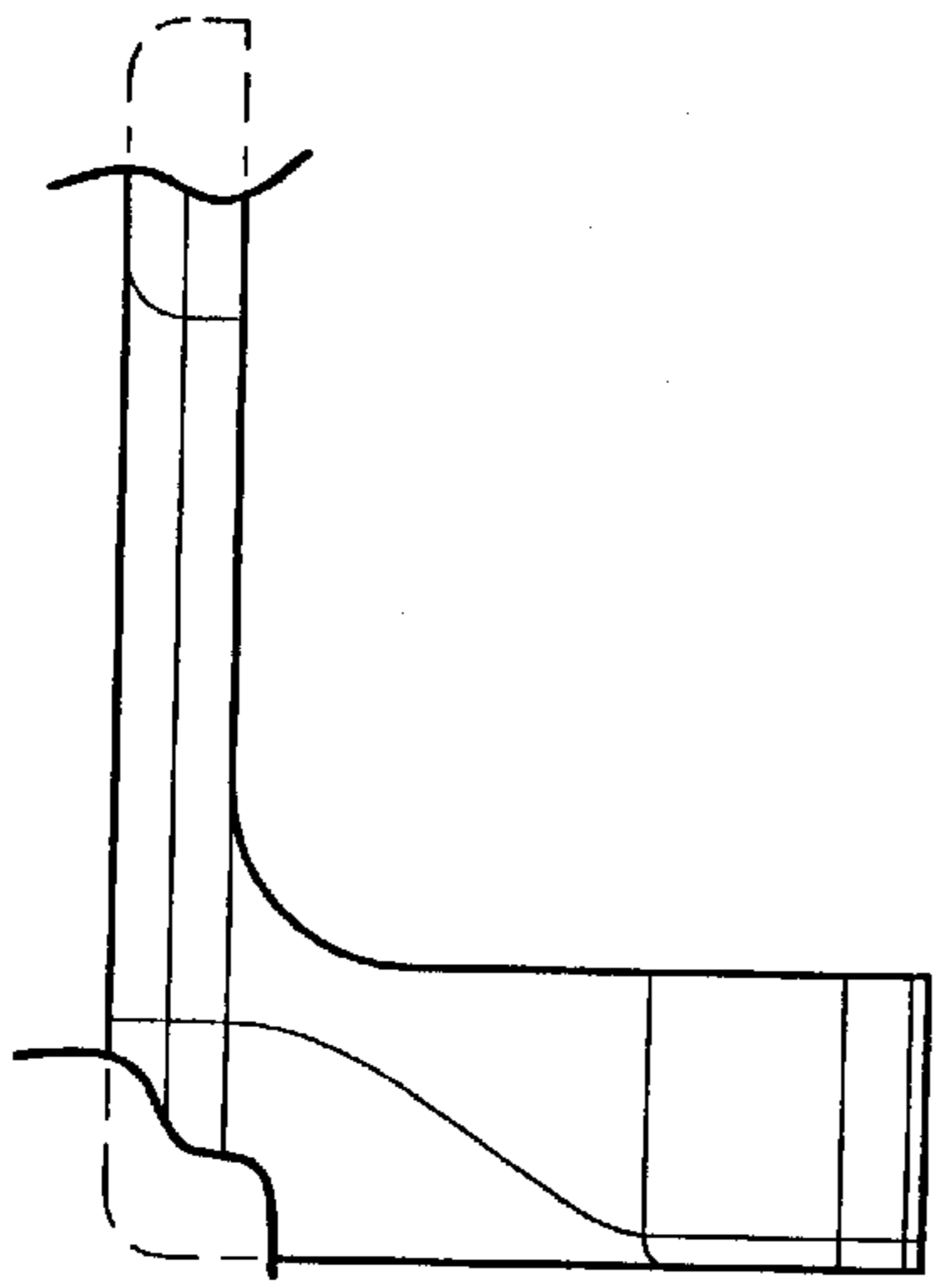


FIG. 18

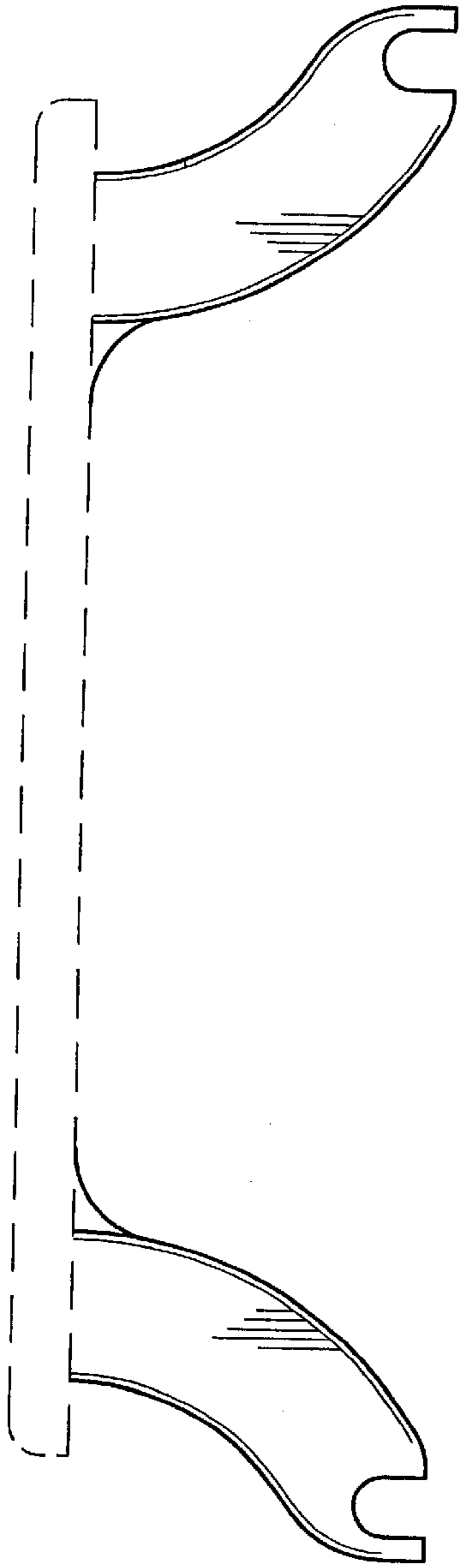


FIG. 19

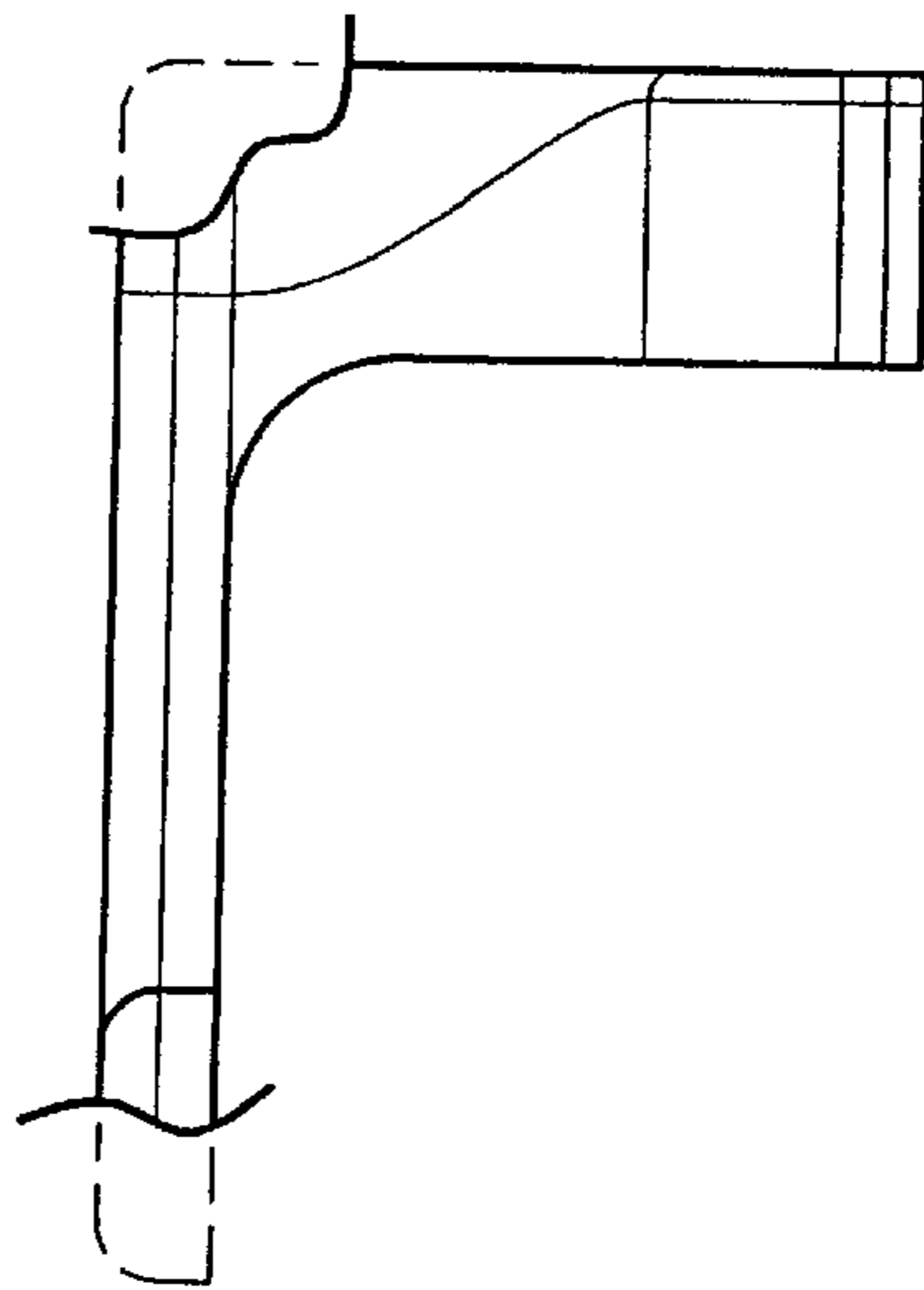


FIG. 20

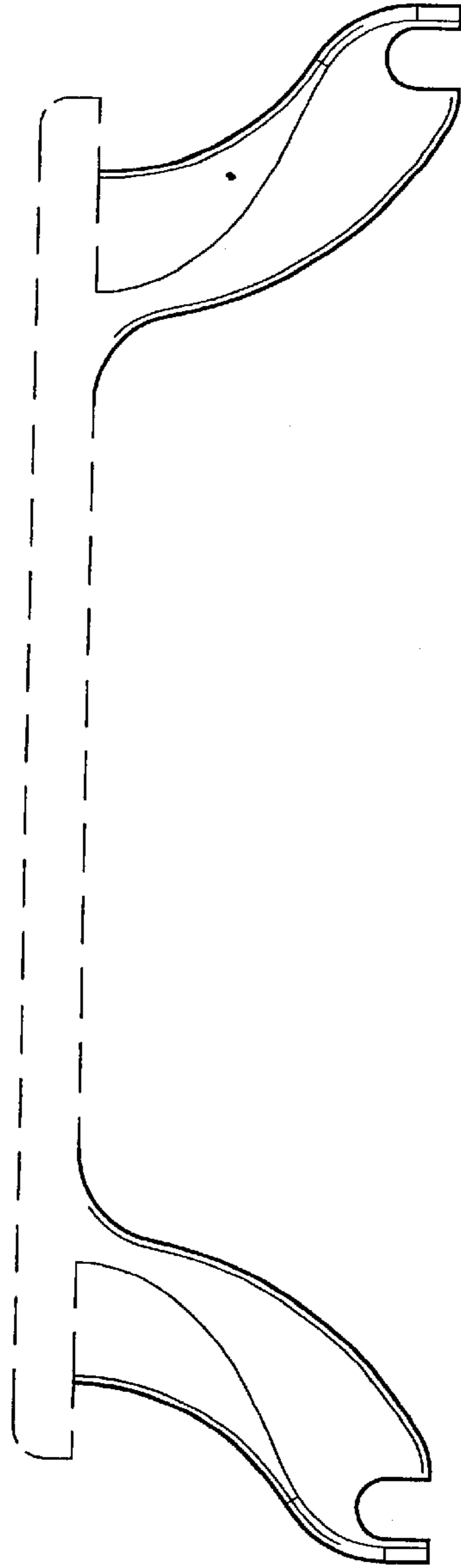


FIG. 21

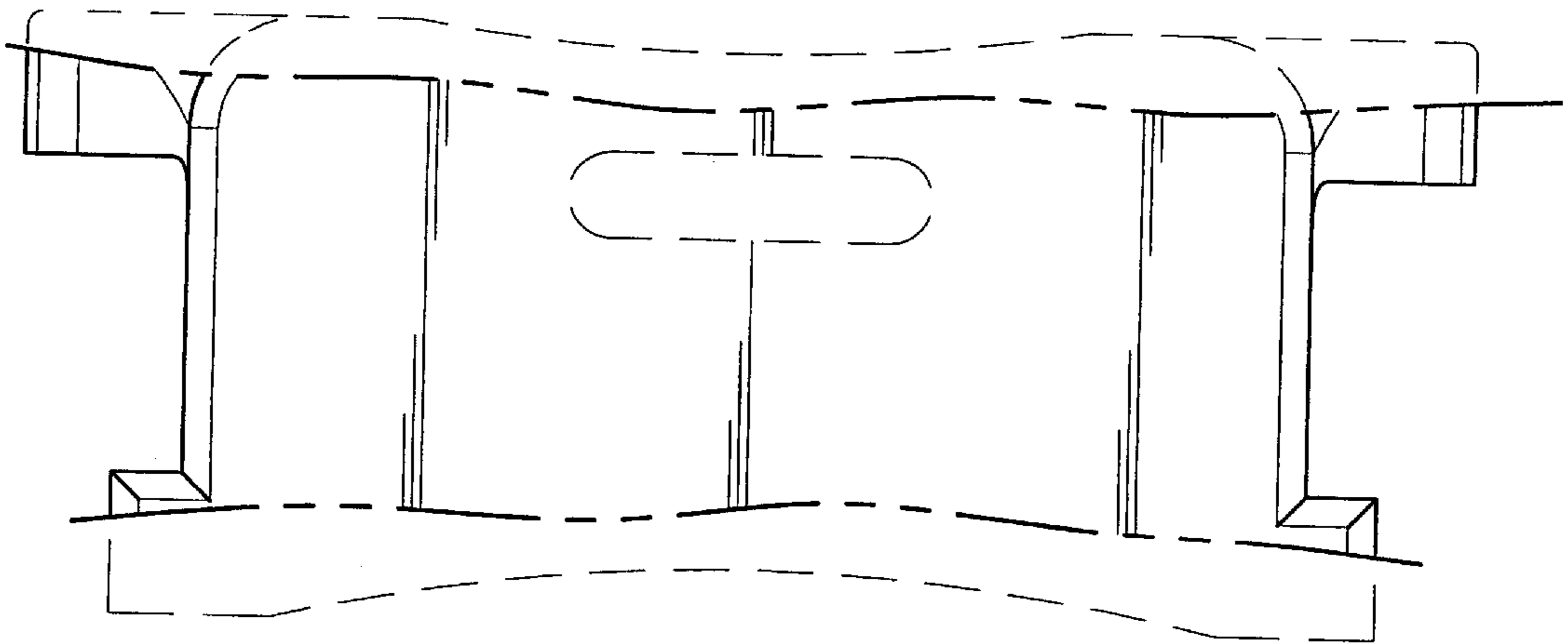


FIG. 22

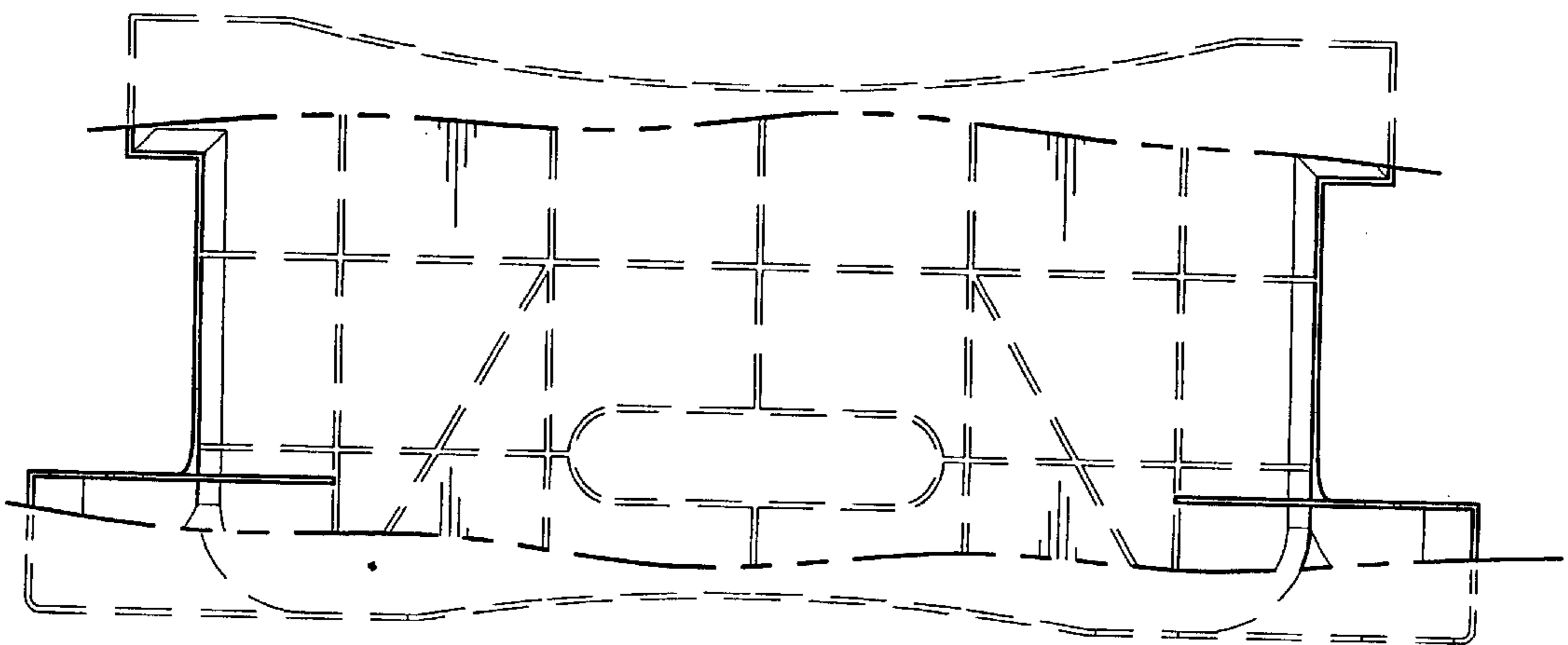


FIG. 23