



US00D480988S

(12) **United States Design Patent**
Buchman

(10) **Patent No.:** **US D480,988 S**

(45) **Date of Patent:** **** Oct. 21, 2003**

(54) **SLIDER DEVICE FOR RESEALABLE CLOSURE**

6,376,035 B1 * 4/2002 Dobreski et al. 428/35.2
6,419,391 B2 * 7/2002 Thomas 353/5

(75) Inventor: **James E. Buchman**, Hortonville, WI (US)

* cited by examiner

(73) Assignee: **Reynolds Consumer Products, Inc.**, Richmond, VA (US)

Primary Examiner—Ralf Seifert

(74) *Attorney, Agent, or Firm*—Joseph Kuborn; Tracey D. Beiriger

(**) Term: **14 Years**

(57) **CLAIM**

(21) Appl. No.: **29/163,497**

The ornamental design of a slider device for resealable closure, as shown and described.

(22) Filed: **Jul. 3, 2002**

DESCRIPTION

(51) **LOC (7) Cl.** **02-07**

(52) **U.S. Cl.** **D11/221**

(58) **Field of Search** D11/200, 221;
24/400, 415–417, 419, 421, 427–431, 381;
383/5, 64; D9/434, 435

FIG. 1 is a top perspective view of a slider device for a resealable closure in accordance with the present invention; FIG. 2 is a bottom perspective view of the slider device; FIG. 3 is a front side elevation view of the slider device shown in FIG. 1; FIG. 4 is a rear side elevation view of the slider device shown in FIG. 1; FIG. 5 is a left end elevational view of the slider device; FIG. 6 is a right end elevational view of the slider device; FIG. 7 is a top plan view of the slider device; and, FIG. 8 is a bottom plan view of the slider device.

(56) **References Cited**

U.S. PATENT DOCUMENTS

5,775,812 A *	7/1998	St. Phillips et al.	383/5
D422,909 S	4/2000	Smith et al.	D9/434
D434,345 S	11/2000	Tomic	D11/221
D439,866 S	4/2001	Savicki	D11/221
6,220,754 B1 *	4/2001	Stiglic et al.	383/64
6,286,999 B1 *	9/2001	Cappel et al.	383/5
6,364,530 B1 *	4/2002	Buchman	383/64

The phantom lines shown in FIGS. 1–8 show the remaining portions of the slider device and are for illustrative purposes only and form no part of the claimed design.

1 Claim, 4 Drawing Sheets

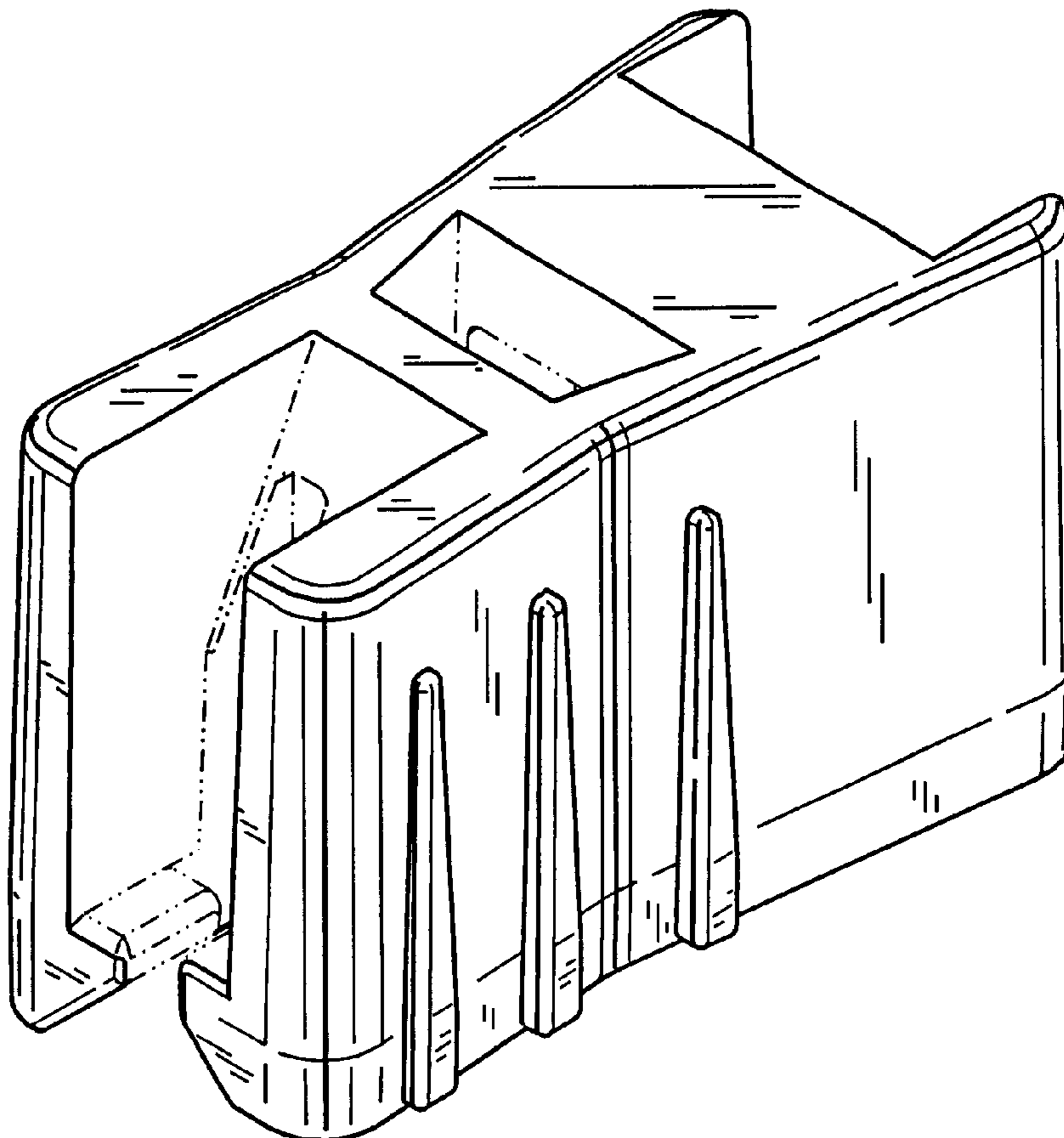


FIG. 1

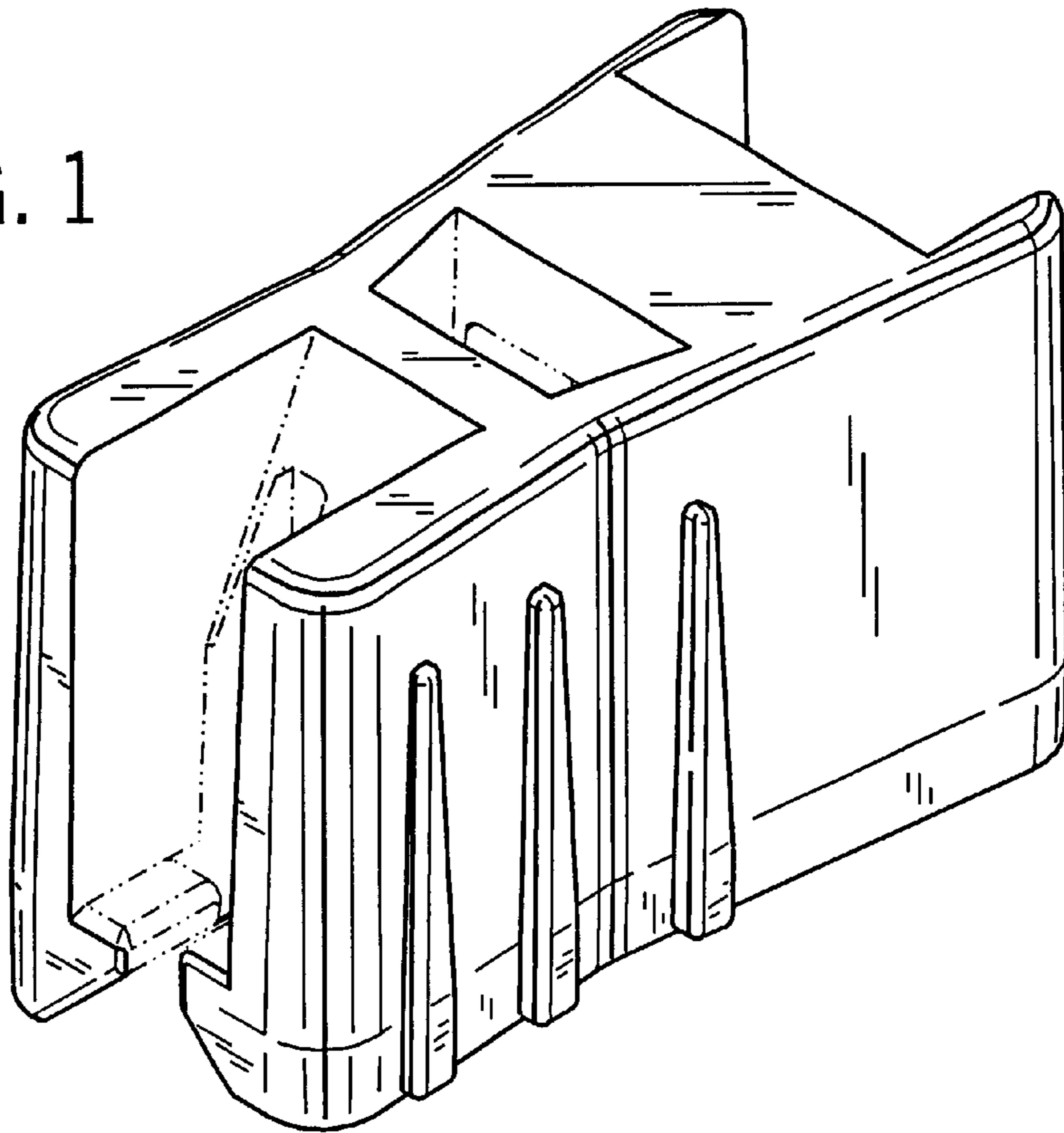


FIG. 2

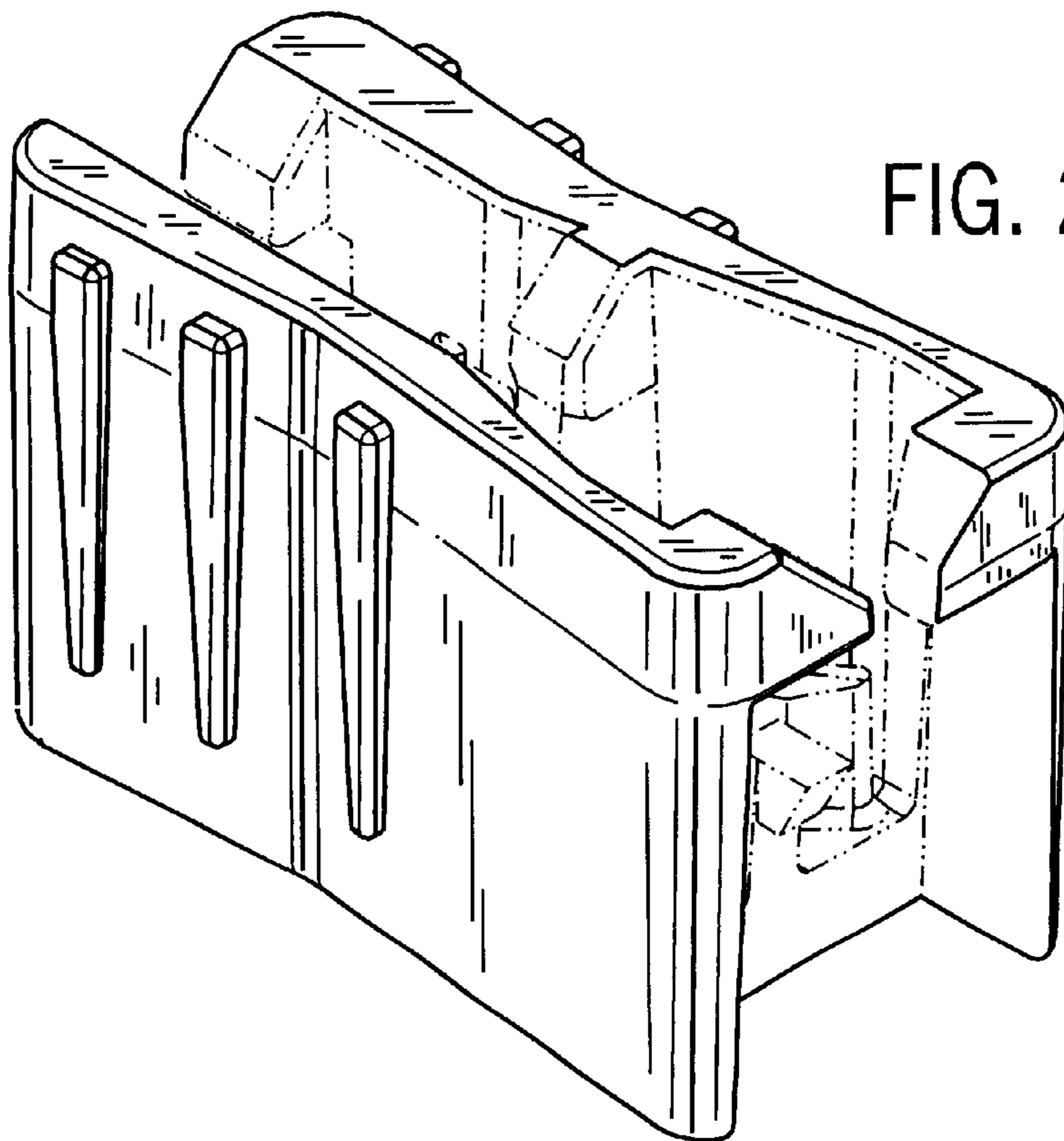


FIG. 3

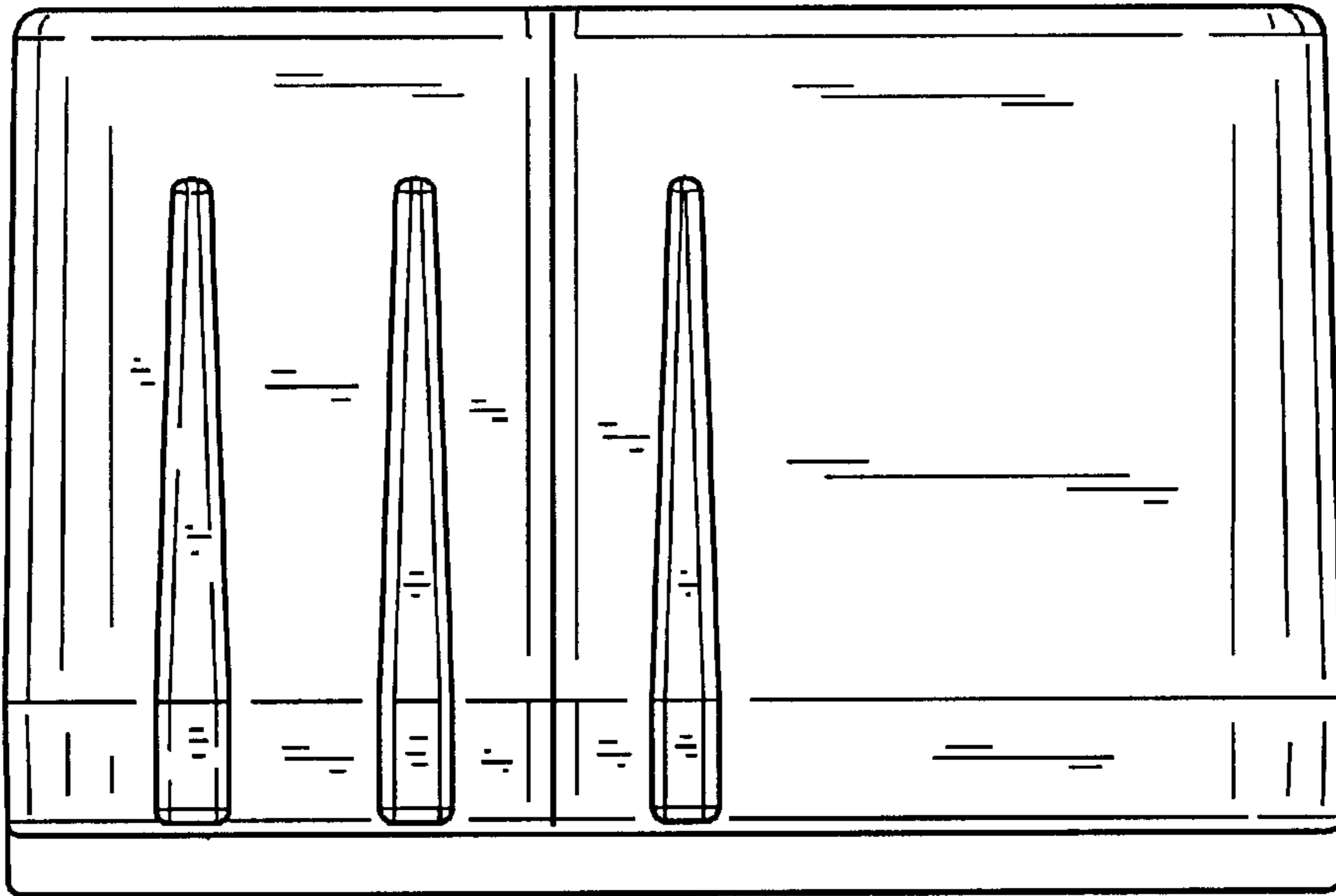


FIG. 4

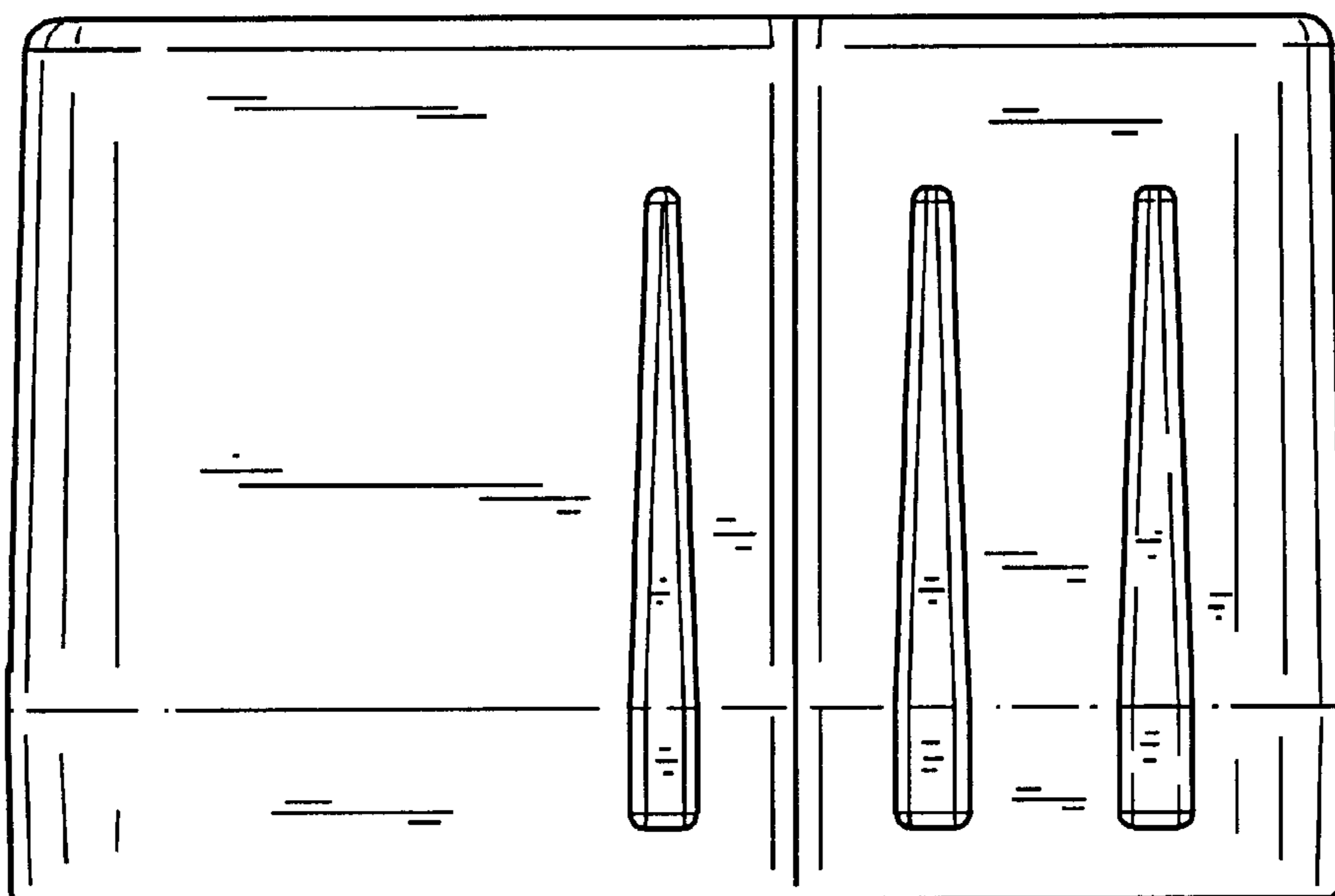


FIG. 5

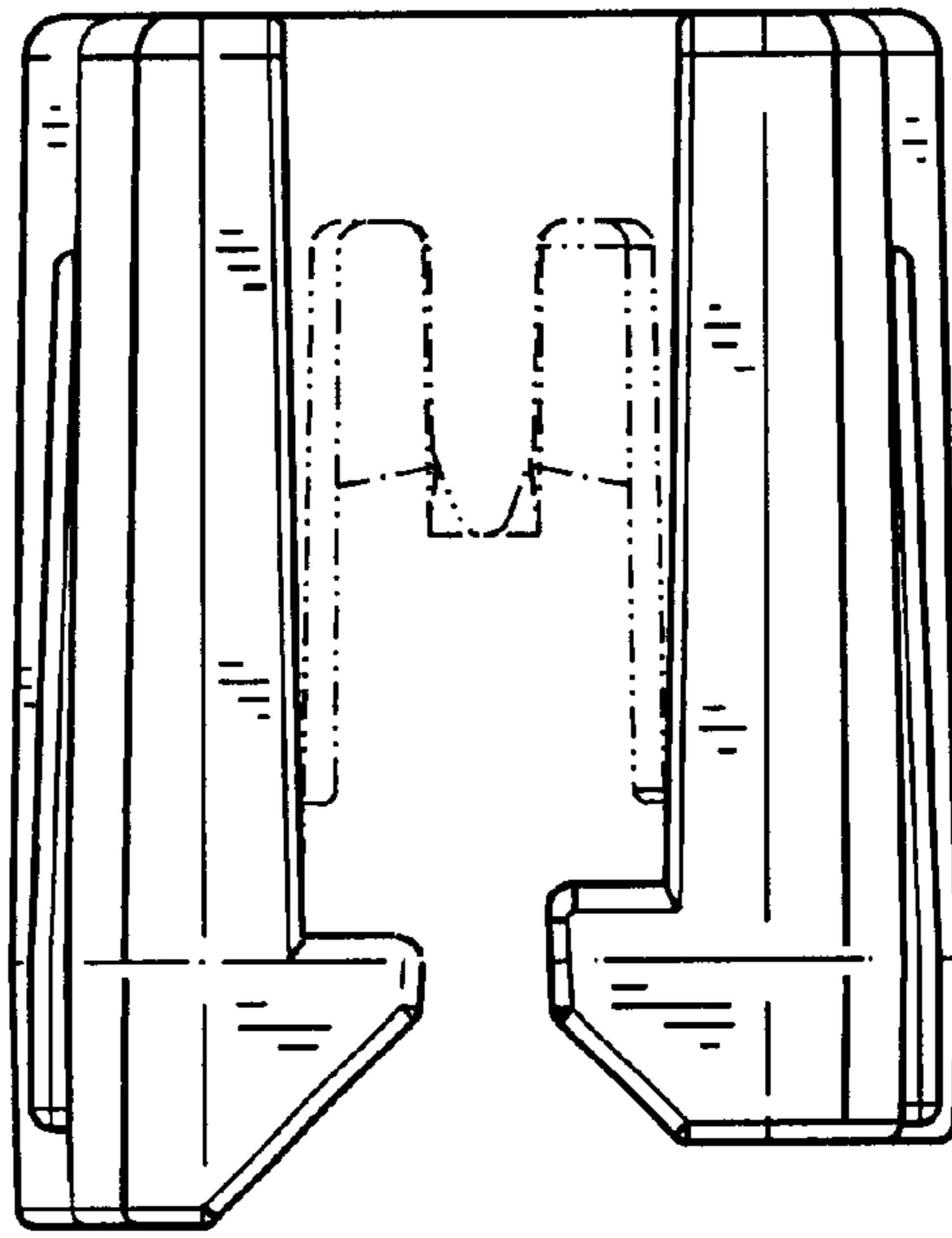


FIG. 6

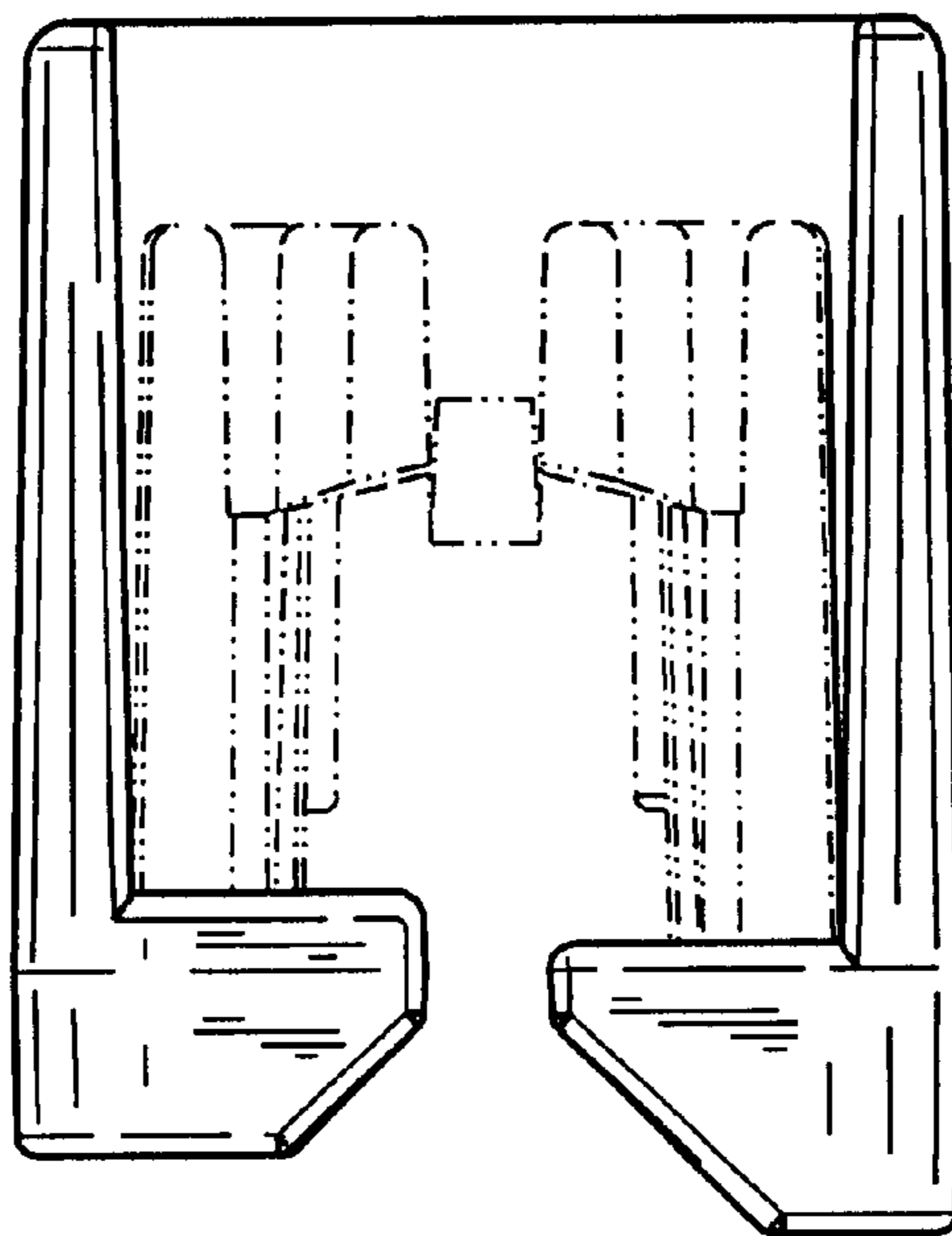


FIG. 7

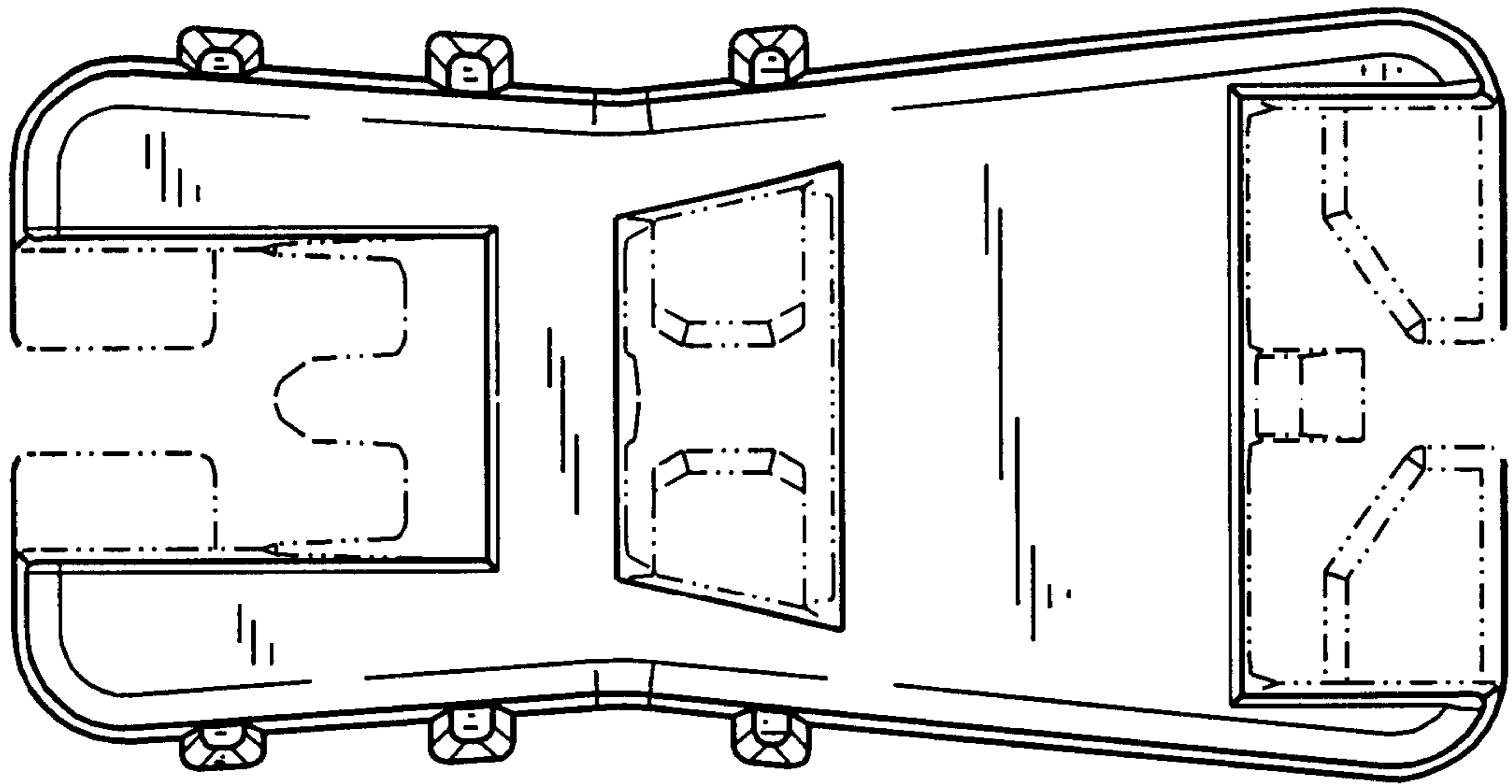


FIG. 8

