



US00D480978S

(12) **United States Design Patent**
Cardew

(10) **Patent No.:** **US D480,978 S**

(45) **Date of Patent:** **** Oct. 21, 2003**

(54) **TRY SQUARE WITH SCRIBER RETAINER**

5,471,753 A * 12/1995 Rodrigues 33/42

(76) **Inventor:** **Tobias Michael Cardew**, Manor Farm,
Newton Tony, Salisbury, Wilts (GB),
SP4 OHA

* cited by examiner

Primary Examiner—Antoine Duval Davis

(74) *Attorney, Agent, or Firm*—David Kiewit

(**) **Term:** **14 Years**

(57) **CLAIM**

(21) **Appl. No.:** **29/169,476**

The ornamental design for a try square with scriber retainer,
as shown and described.

(22) **Filed:** **Oct. 21, 2002**

DESCRIPTION

(51) **LOC (7) Cl.** **10-04**

(52) **U.S. Cl.** **D10/65**

(58) **Field of Search** D10/65; 33/42,
33/41.1, 485, 32.2, 32.3, 836

FIG. 1 is a front elevational view of a try square with scriber
retainer showing my new design.

FIG. 2 is a left side elevational view thereof.

FIG. 3 is a rear elevational view thereof.

FIG. 4 is a right side elevational view thereof.

FIG. 5 is a top elevational view thereof.

FIG. 6 is a bottom elevational view thereof; and,

FIG. 7 is a perspective view thereof.

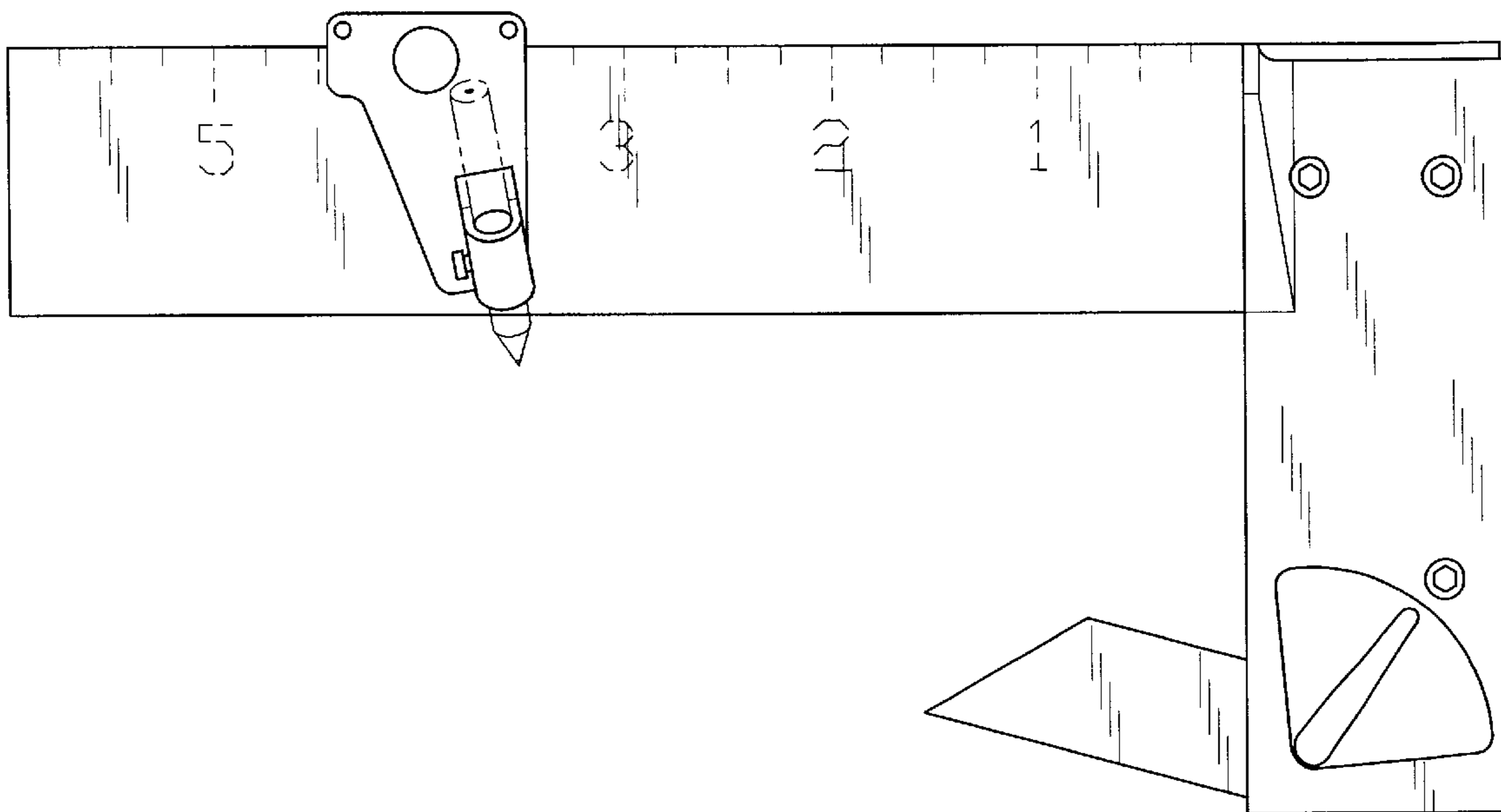
The broken line showing of a scriber and of fiduciary
markings is for illustrative purposes only and forms no part
of my claimed design.

(56) **References Cited**

U.S. PATENT DOCUMENTS

2,335,513 A	*	11/1943	Hewitt	33/42
2,583,679 A	*	1/1952	Boston	33/42
3,626,595 A	*	12/1971	Hulen	33/42 X
4,334,360 A	*	6/1982	Burns et al.	33/42
4,903,409 A	*	2/1990	Kaplan et al.	33/42 X
5,309,642 A	*	5/1994	McGinnis	33/32.2

1 Claim, 4 Drawing Sheets



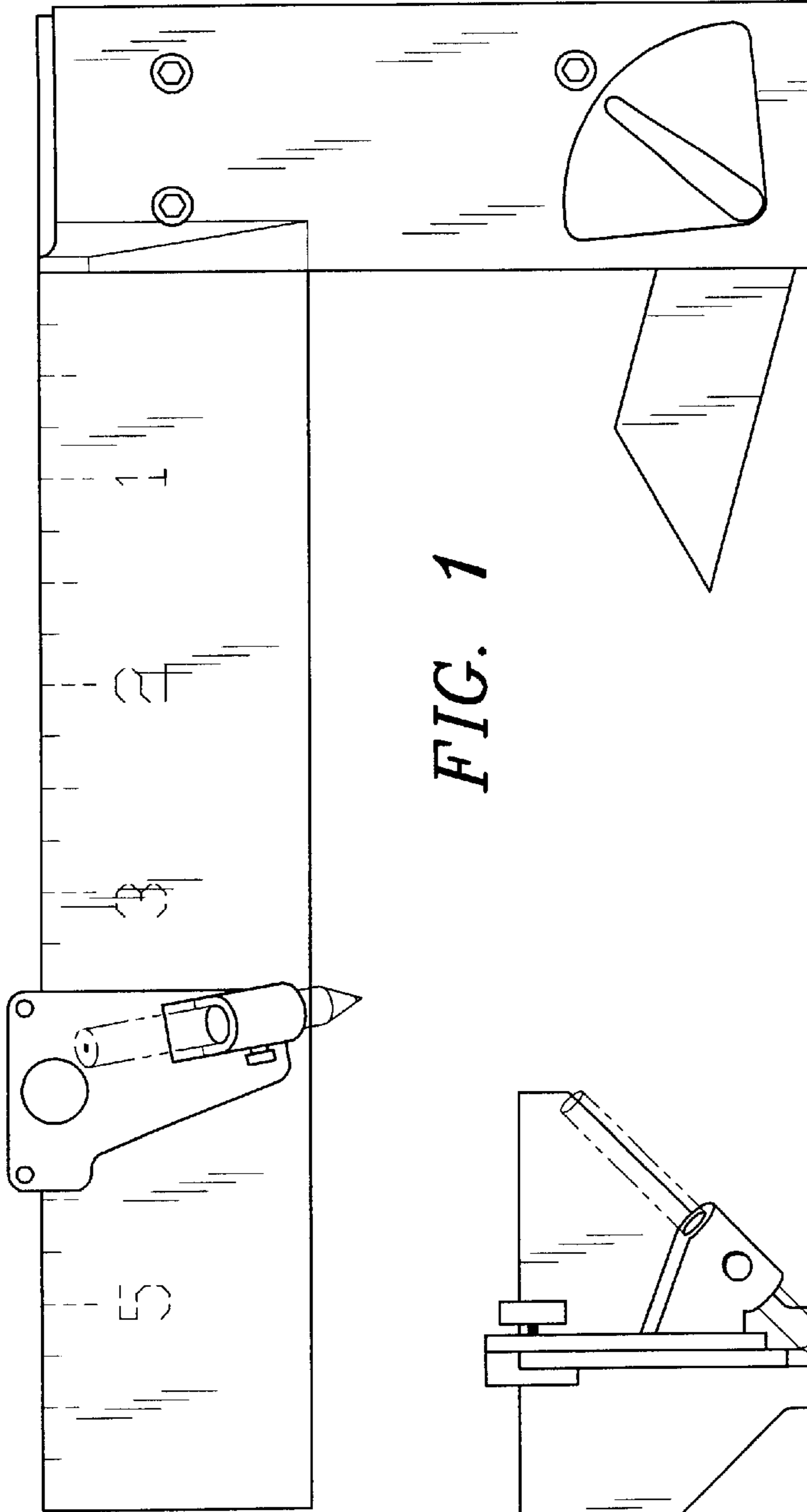


FIG. 1

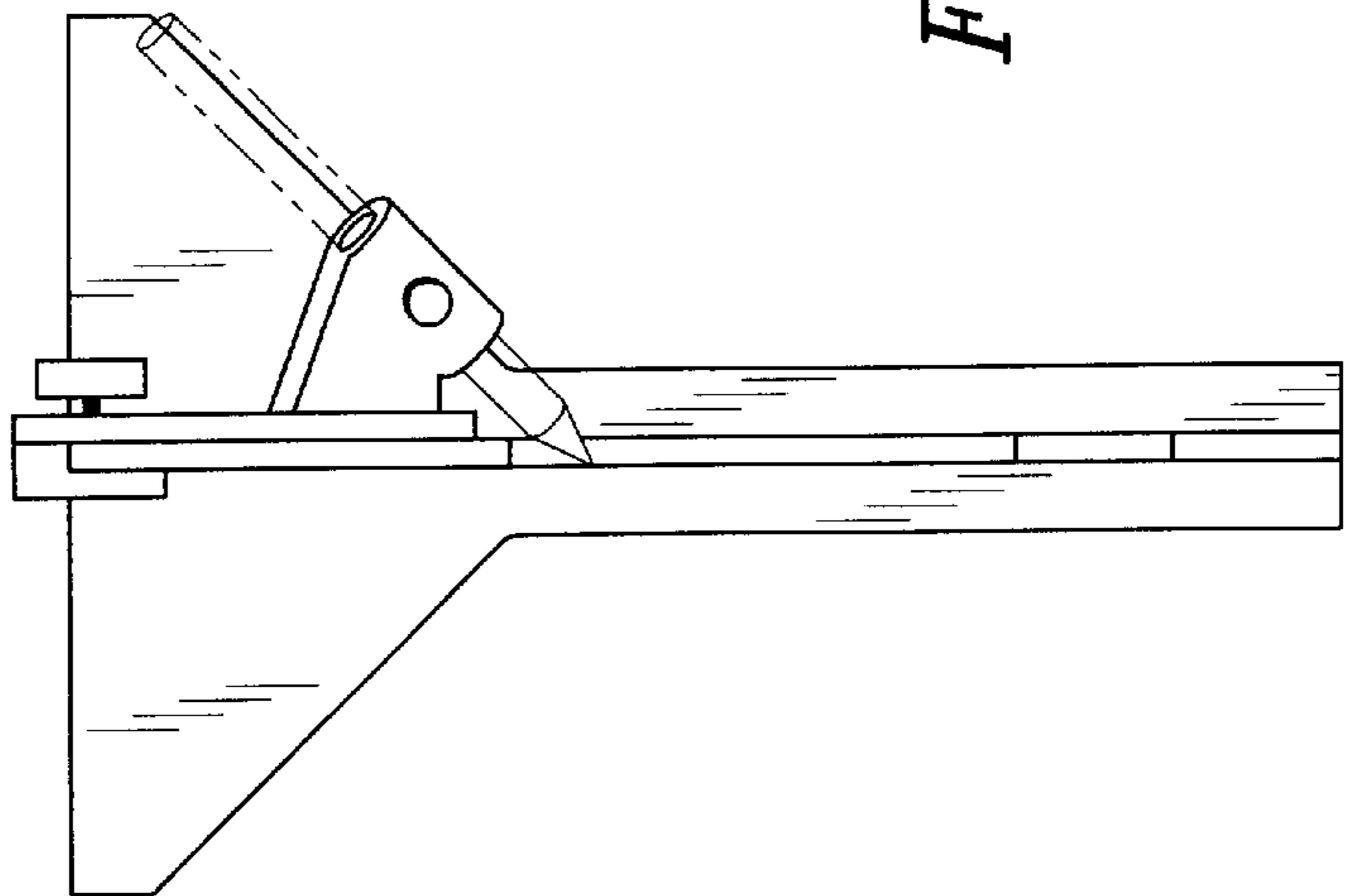


FIG. 2

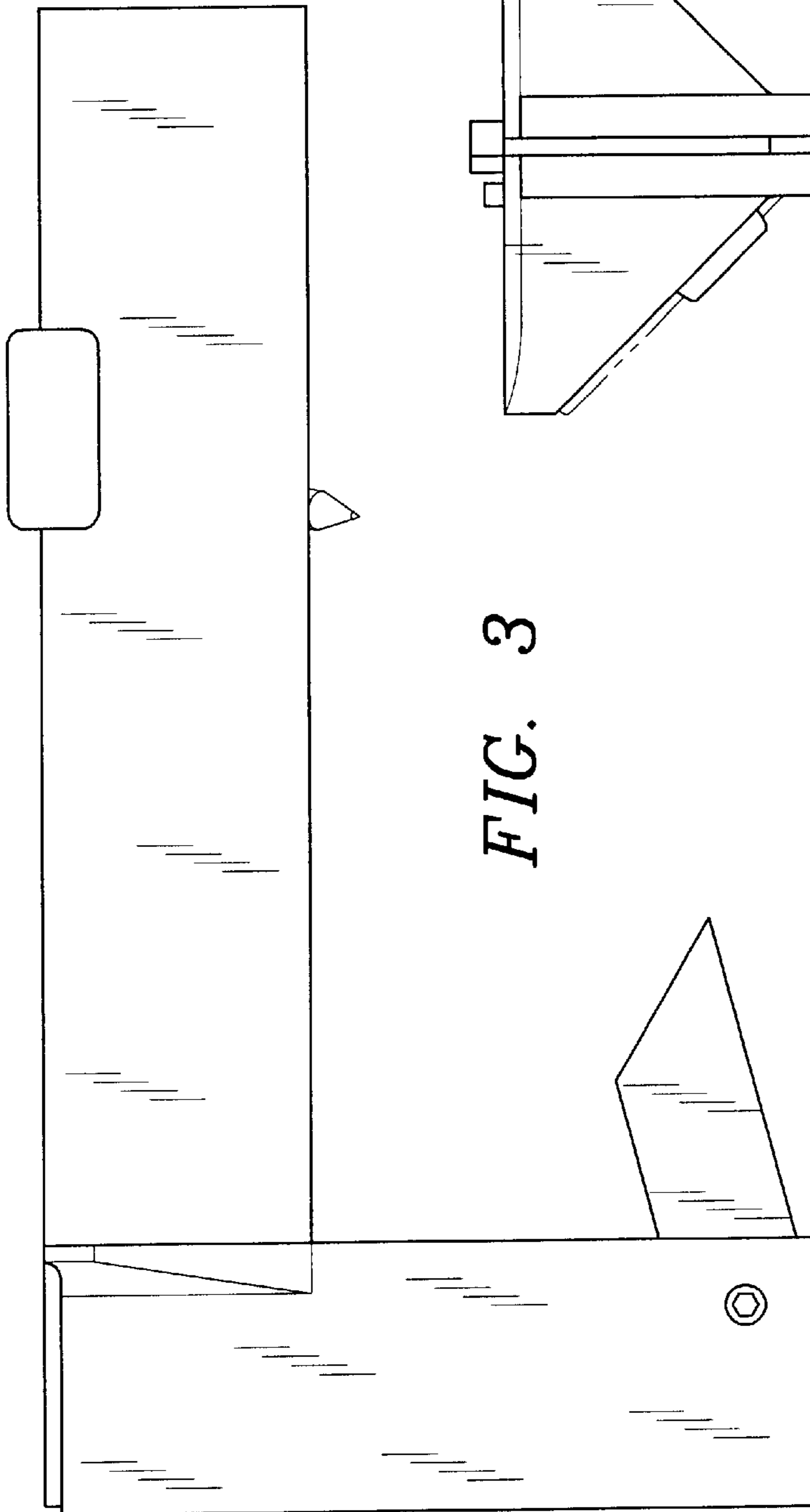


FIG. 3

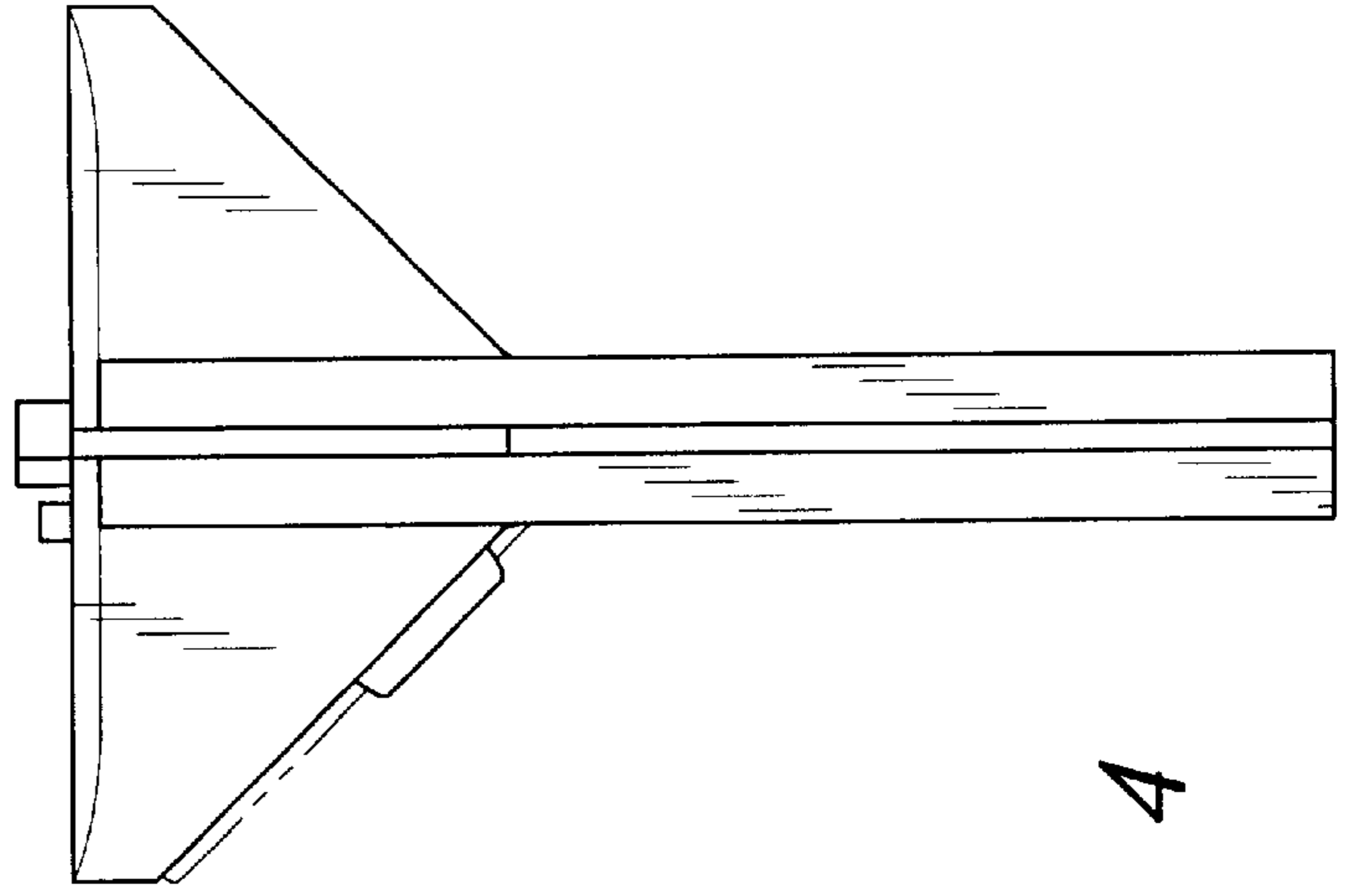


FIG. 4

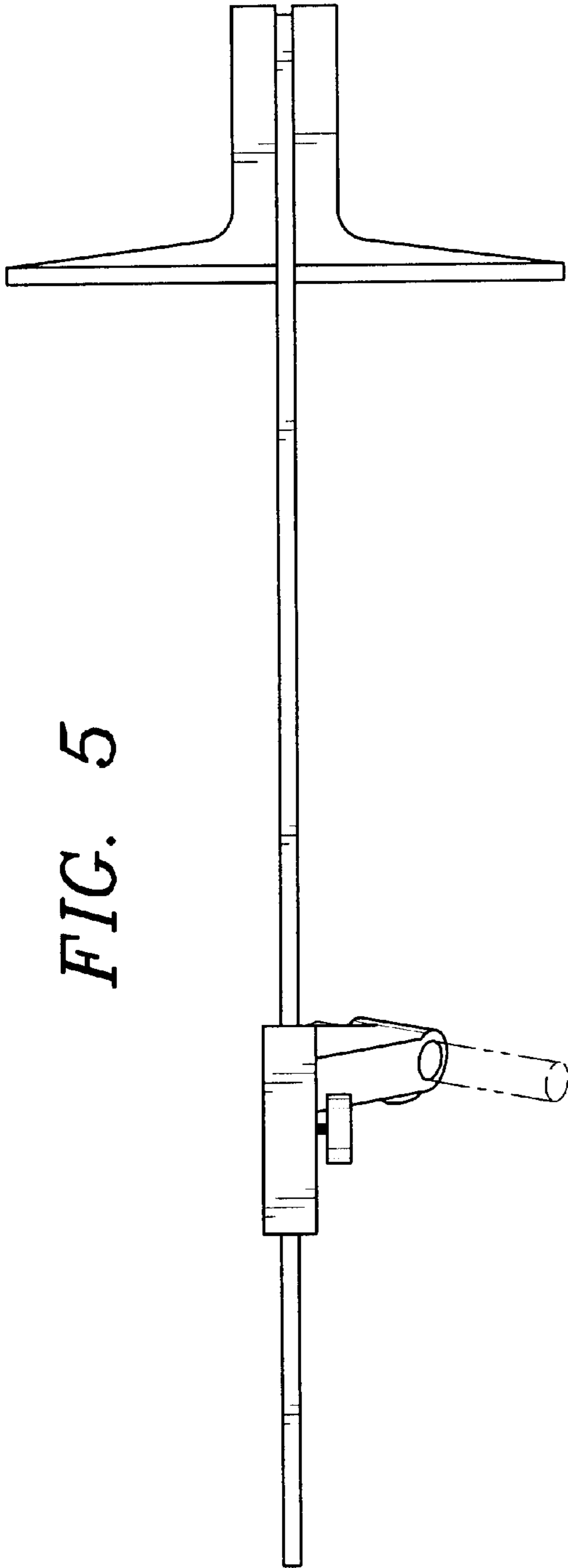


FIG. 5

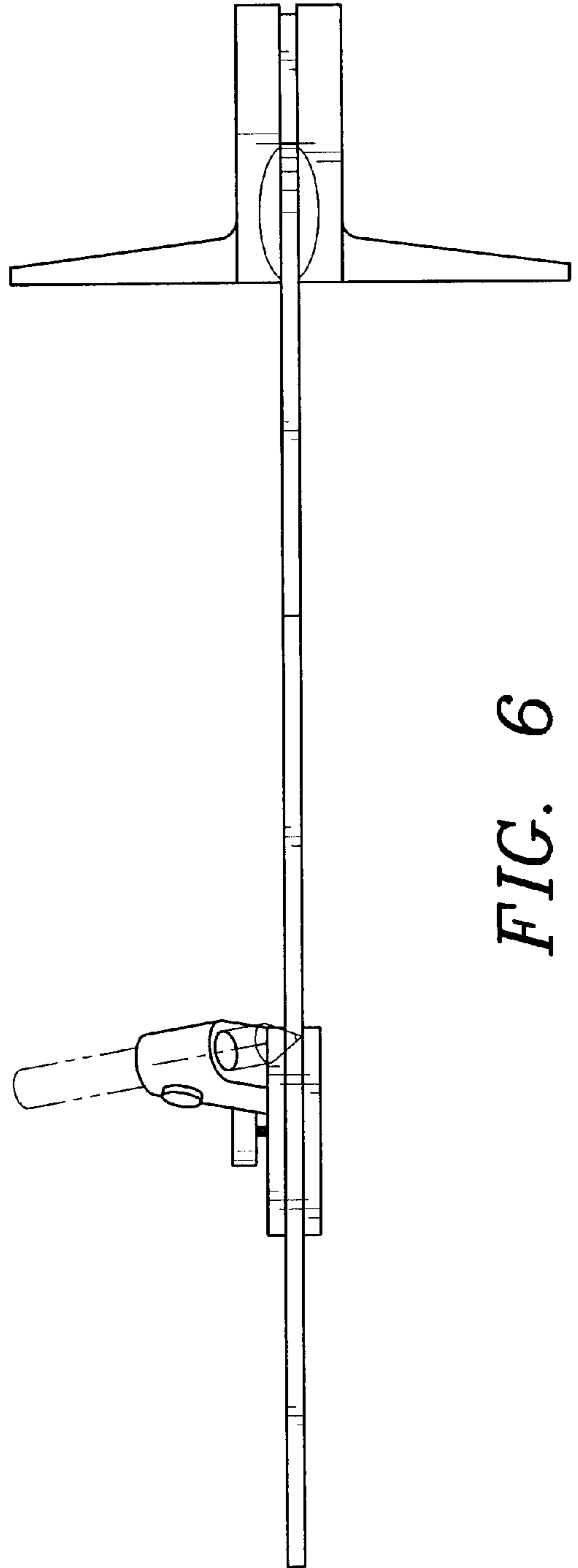


FIG. 6

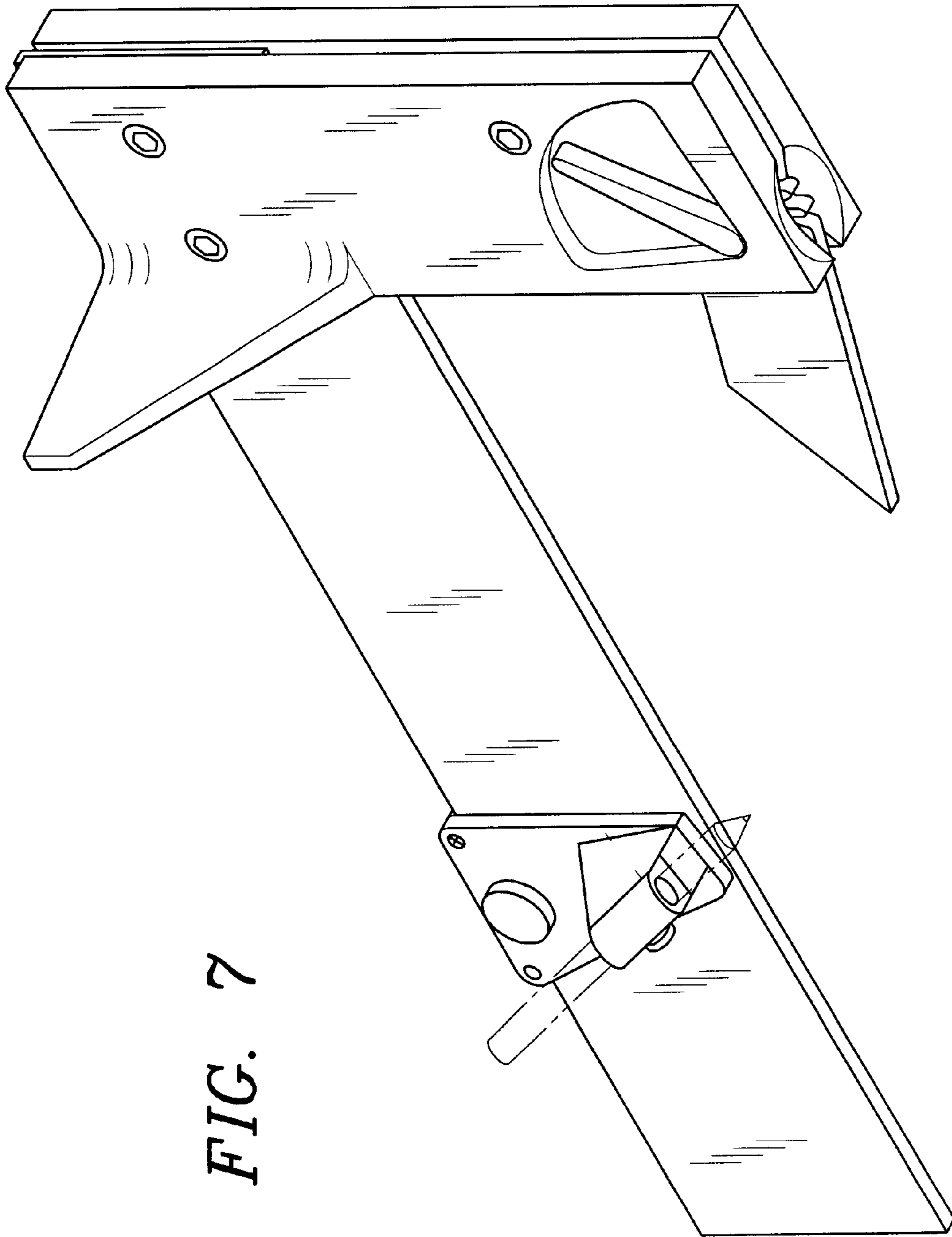


FIG. 7