



US00D480974S

(12) **United States Design Patent**  
**Blank**

(10) **Patent No.:** **US D480,974 S**

(45) **Date of Patent:** **\*\* Oct. 21, 2003**

(54) **CONTAINER**

(75) **Inventor:** **Phillip M. Blank**, Scottsdale, AZ (US)

(73) **Assignee:** **Captive Plastics, Inc.**, Piscataway, NJ (US)

(\*\*) **Term:** **14 Years**

(21) **Appl. No.:** **29/129,466**

(22) **Filed:** **Sep. 14, 2000**

(51) **LOC (7) Cl.** ..... **09-01**

(52) **U.S. Cl.** ..... **D9/543; D9/560; D9/571**

(58) **Field of Search** ..... D9/500, 516, 530,  
D9/541, 543, 546, 550, 563, 575, 560;  
215/381-385, 396, 398

(56) **References Cited**

**U.S. PATENT DOCUMENTS**

D25,354 S	*	4/1896	Smalley	.....	D9/522
D98,899 S	*	3/1936	Werts	.....	D9/566
D198,287 S	*	5/1964	Hulterstrum	.....	D9/543
D209,018 S	*	10/1967	Holtz	.....	D9/543
D223,808 S	*	6/1972	Beaver	.....	D9/542
D270,331 S	*	8/1983	Benson	.....	D9/520
D289,377 S	*	4/1987	Ashby et al.	.....	D9/529
D307,394 S	*	4/1990	Wetherell, Jr.	.....	D9/543
D331,879 S	*	12/1992	Curzon et al.	.....	D9/549

5,261,544 A	*	11/1993	Weaver, Jr.	.....	215/384
D370,850 S	*	6/1996	Beaver	.....	D9/543
D382,807 S	*	8/1997	Silvers et al.	.....	D9/520
D389,067 S	*	1/1998	Lown	.....	D9/543
D423,366 S	*	4/2000	Gans	.....	D9/541
D426,469 S	*	6/2000	Mankowski et al.	.....	D9/541
D448,671 S	*	10/2001	Gans et al.	.....	D9/527

\* cited by examiner

*Primary Examiner*—Ted Shooman

*Assistant Examiner*—Carol Rademaker

(74) *Attorney, Agent, or Firm*—Caesar, Rivise, Bernstein, Cohen & Pokotilow, Ltd.

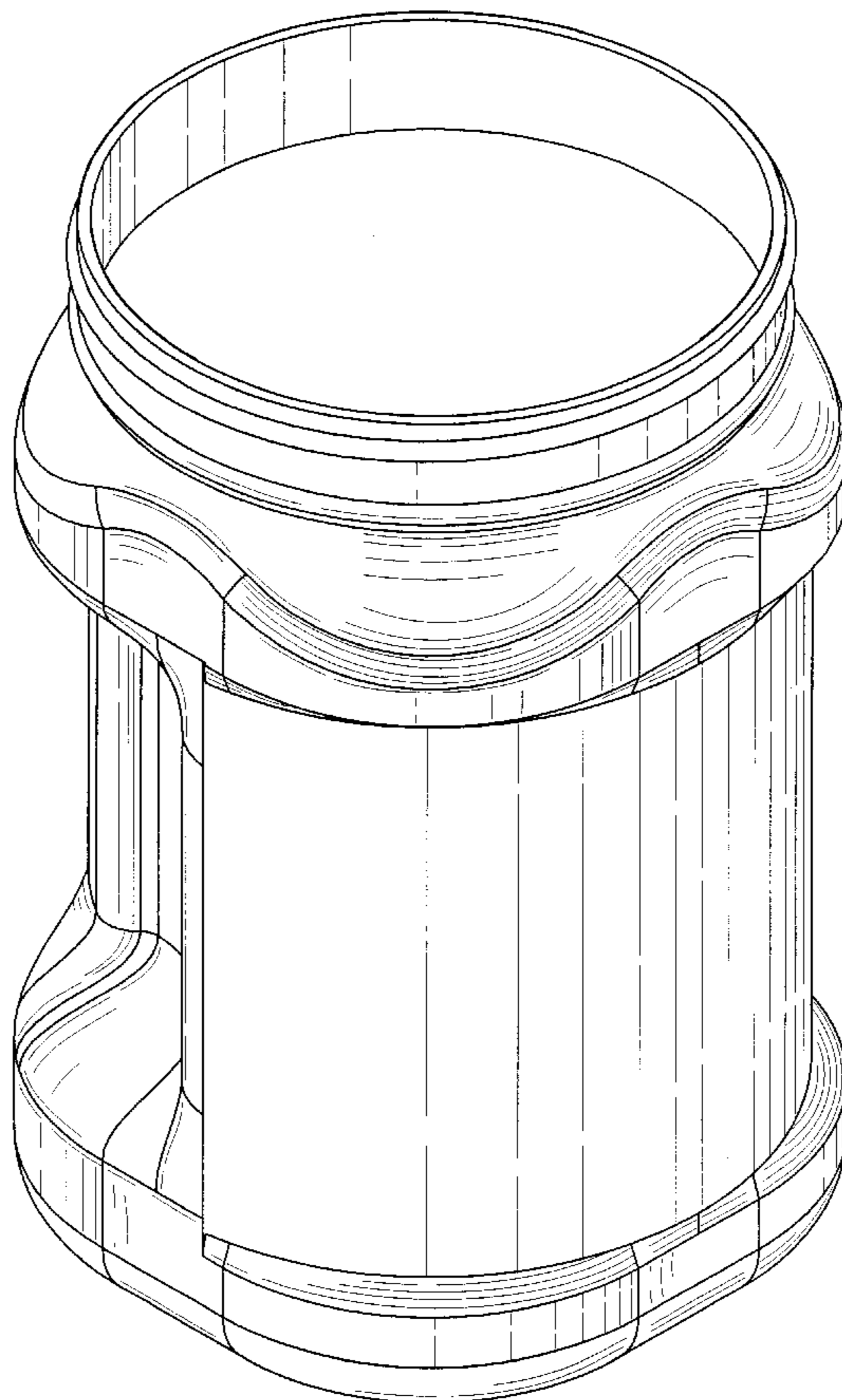
(57) **CLAIM**

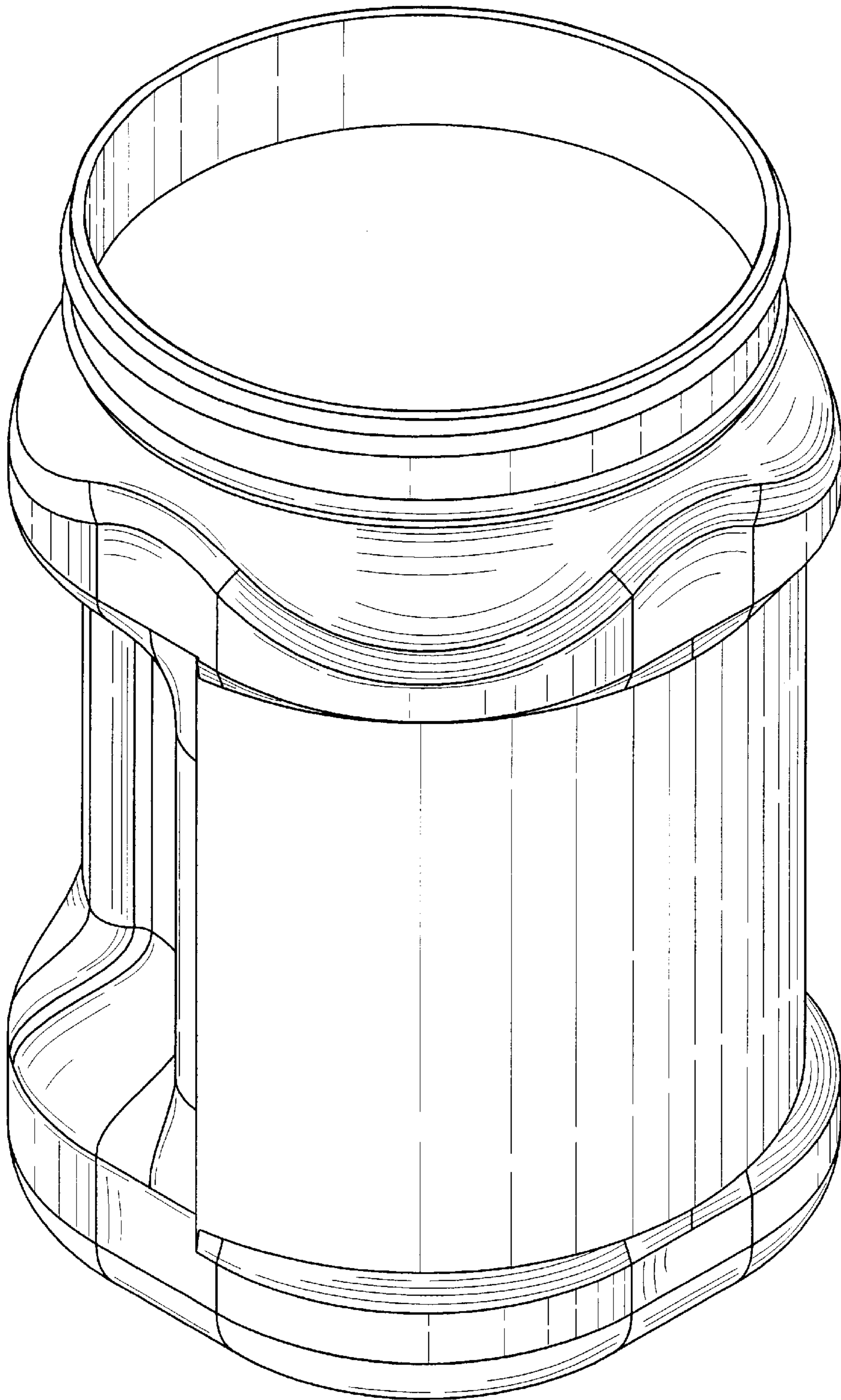
The ornamental design for a container, as shown and described.

**DESCRIPTION**

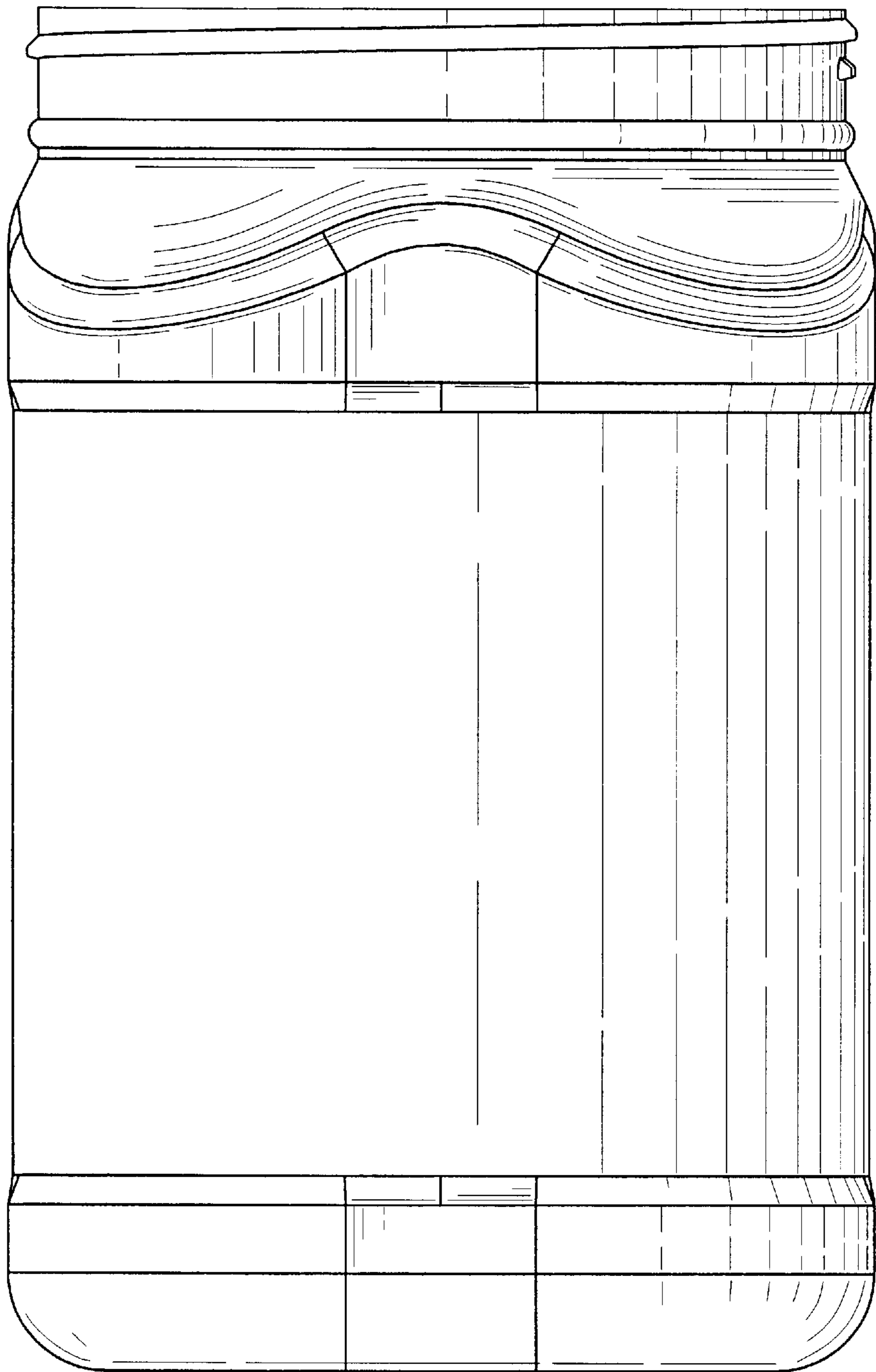
FIG. 1 is a top front perspective view of the container of my new design;  
FIG. 2 is a front elevation thereof;  
FIG. 3 is a rear elevation thereof;  
FIG. 4 is a left side elevation thereof (the right side elevation being a mirror image of the left side elevation);  
FIG. 5 is a top plan view thereof; and,  
FIG. 6 is a bottom plan view thereof.

**1 Claim, 5 Drawing Sheets**

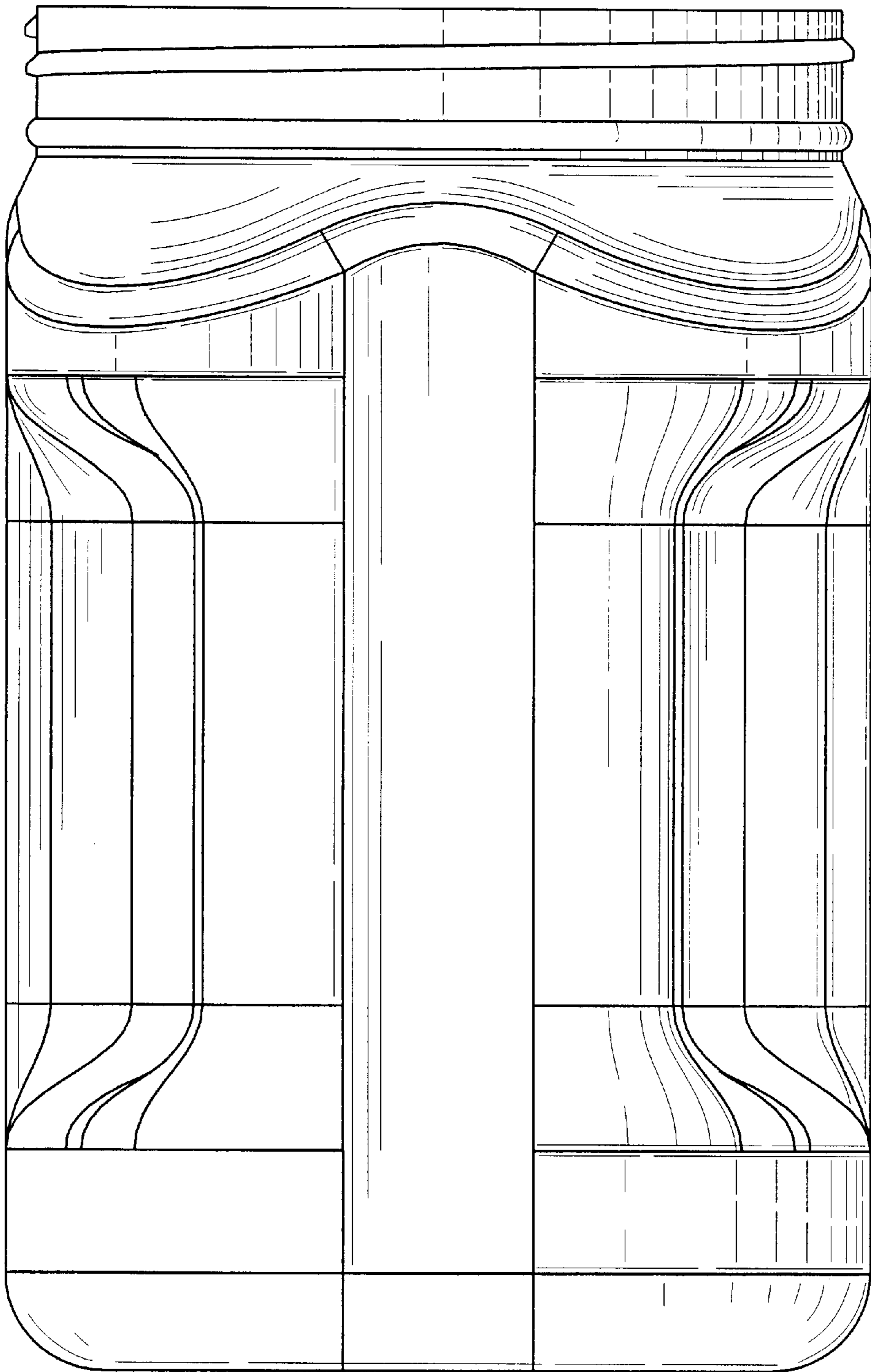




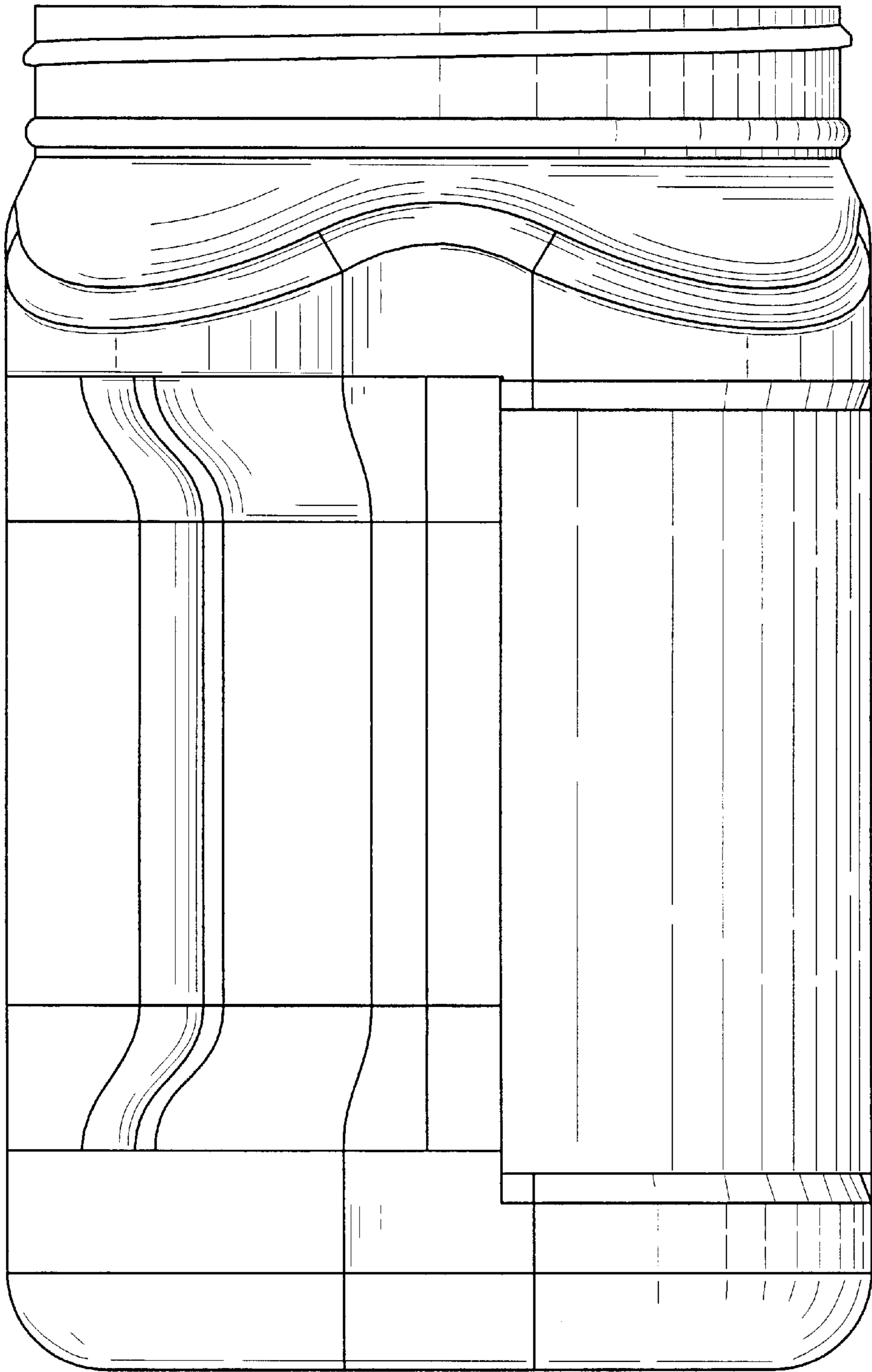
**FIG. 1**



**FIG. 2**

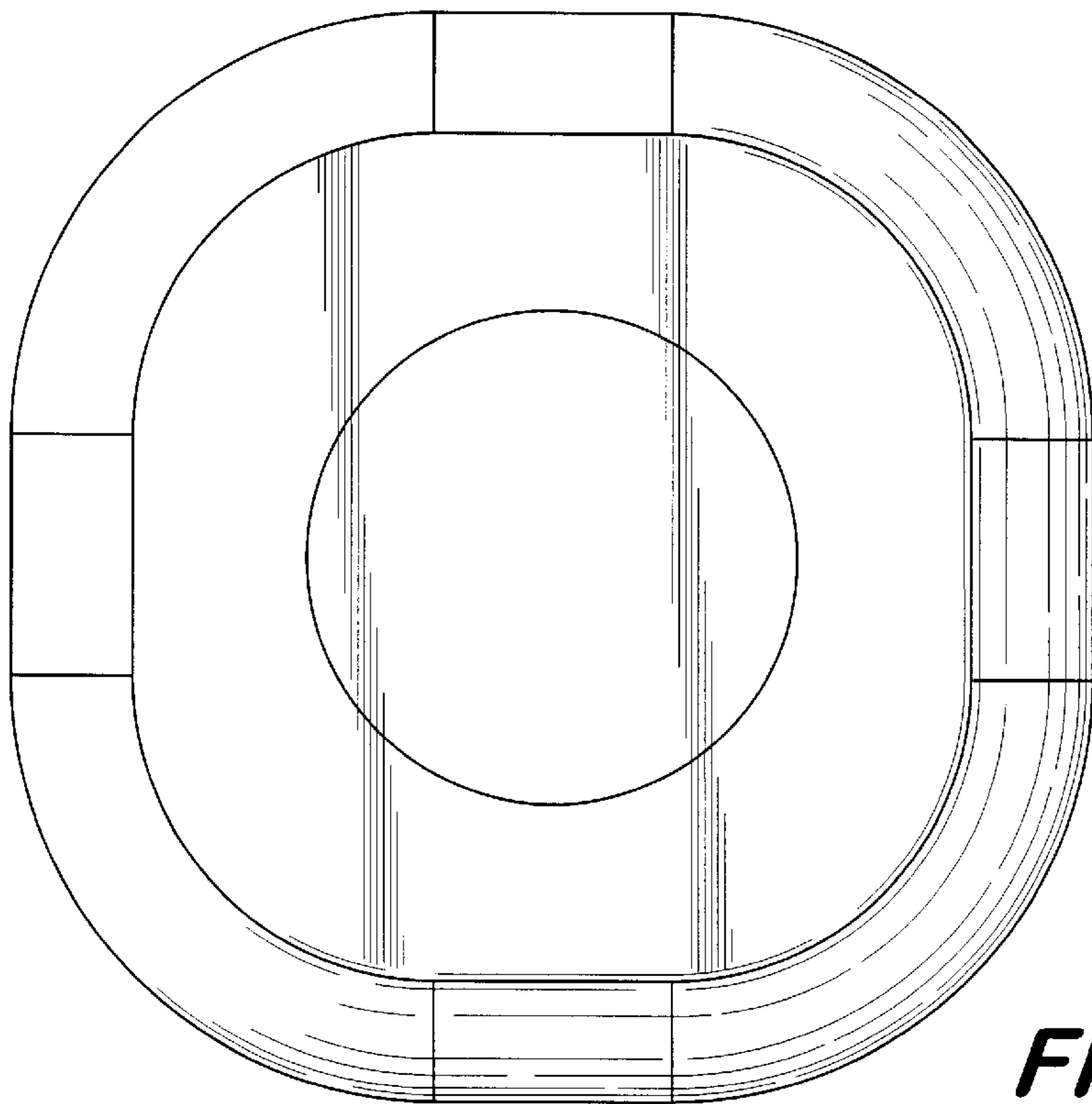
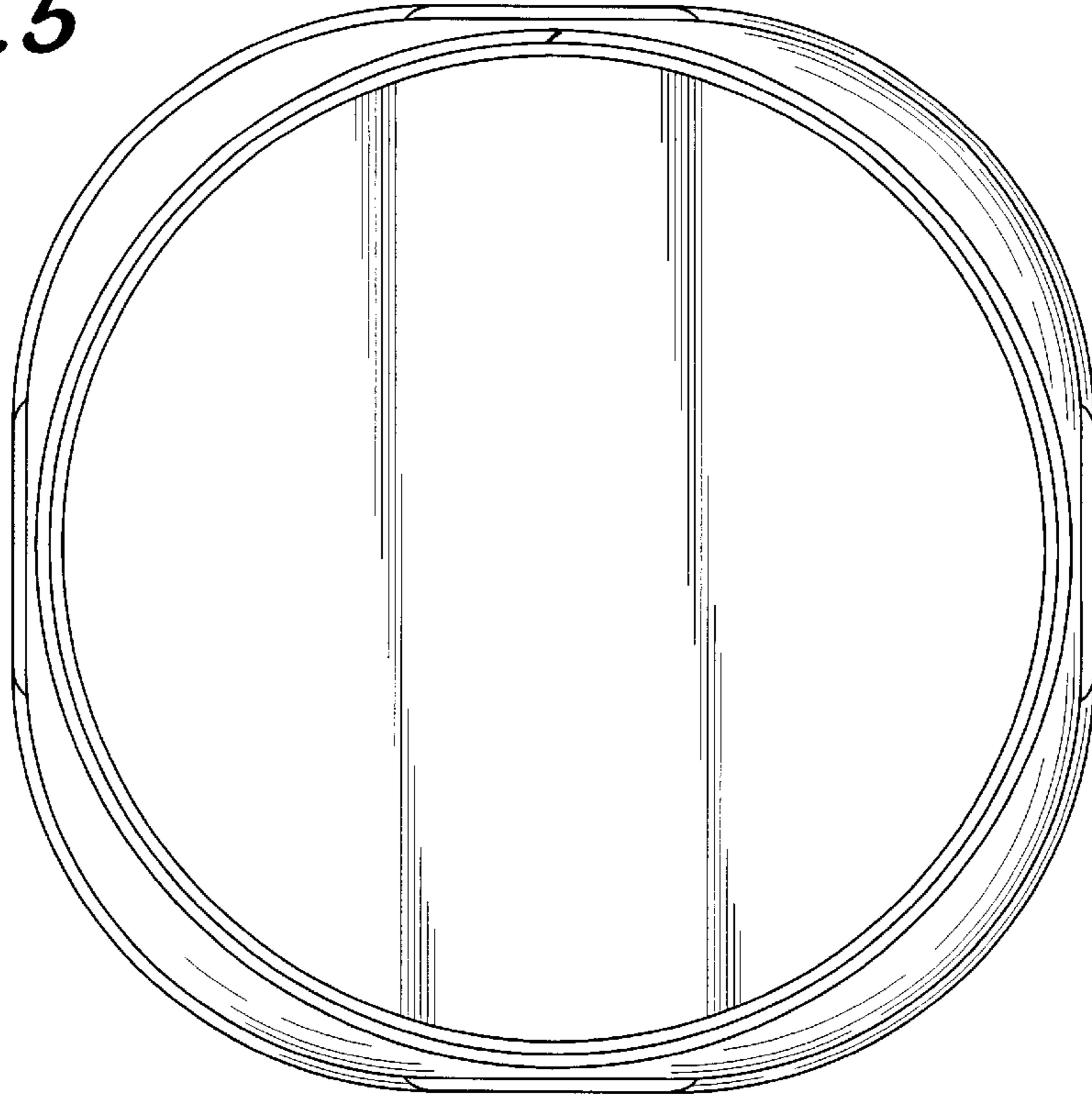


**FIG. 3**



**FIG.4**

**FIG. 5**



**FIG. 6**