



US00D480973S

(12) **United States Design Patent**  
**Nottingham et al.**

(10) **Patent No.:** **US D480,973 S**

(45) **Date of Patent:** **\*\* Oct. 21, 2003**

(54) **DESIGN FOR A ROUND PAINT CONTAINER**

(75) Inventors: **John R. Nottingham**, Bratenahl, OH (US); **John Spirk**, Gates Mills, OH (US); **Dale A. Panasewicz**, Strongsville, OH (US); **Nick E. Stanca**, Westlake, OH (US); **Robert Iredell, IV**, Cleveland Heights, OH (US); **Dennis M. Futo**, Strongsville, OH (US)

(73) Assignee: **NSI Innovation LLP**, Cleveland, OH (US)

(\*\*) Term: **14 Years**

- 2,743,844 A 5/1956 Livingstone
- 2,817,465 A 12/1957 Gray
- 2,840,124 A 6/1958 Greene
- 2,851,196 A 9/1958 Livingstone
- 3,000,527 A 9/1961 Jennings et al.
- D192,886 S 5/1962 Kaplan
- D198,287 S 5/1964 Hulterstrum
- D201,157 S 5/1965 Harlow
- D206,407 S 12/1966 Sharp
- 3,310,088 A 3/1967 Hildebrandt et al.
- D207,466 S 4/1967 Phillips
- 3,313,438 A 4/1967 Piker

(List continued on next page.)

**FOREIGN PATENT DOCUMENTS**

(21) Appl. No.: **29/161,550**

CA 800836 12/1968

(22) Filed: **May 31, 2002**

*Primary Examiner*—Philip S. Hyder  
*Assistant Examiner*—Carol Rademaker  
(74) *Attorney, Agent, or Firm*—Calfee, Halter & Griswold LLP

**Related U.S. Application Data**

(63) Continuation-in-part of application No. 29/146,686, filed on Aug. 14, 2001, and a continuation-in-part of application No. 10/126,481, filed on Apr. 18, 2002.

(57) **CLAIM**

(51) **LOC (7) Cl.** ..... **09-01**

The ornamental design for a round paint container, as shown and described.

(52) **U.S. Cl.** ..... **D9/531; D9/565; D9/575; D9/560**

**DESCRIPTION**

(58) **Field of Search** ..... D3/276; D7/603, D7/608; D9/454, 505–506, 514, 520, 523–524, 528, 530, 532, 538, 541, 543, 560, 563–564, 566, 571–572, 574–575; D32/53, 53.1; D34/39; 156/94, 250, 264; 220/4.27, 23.4, 23.83, 561, 761, 766, 770

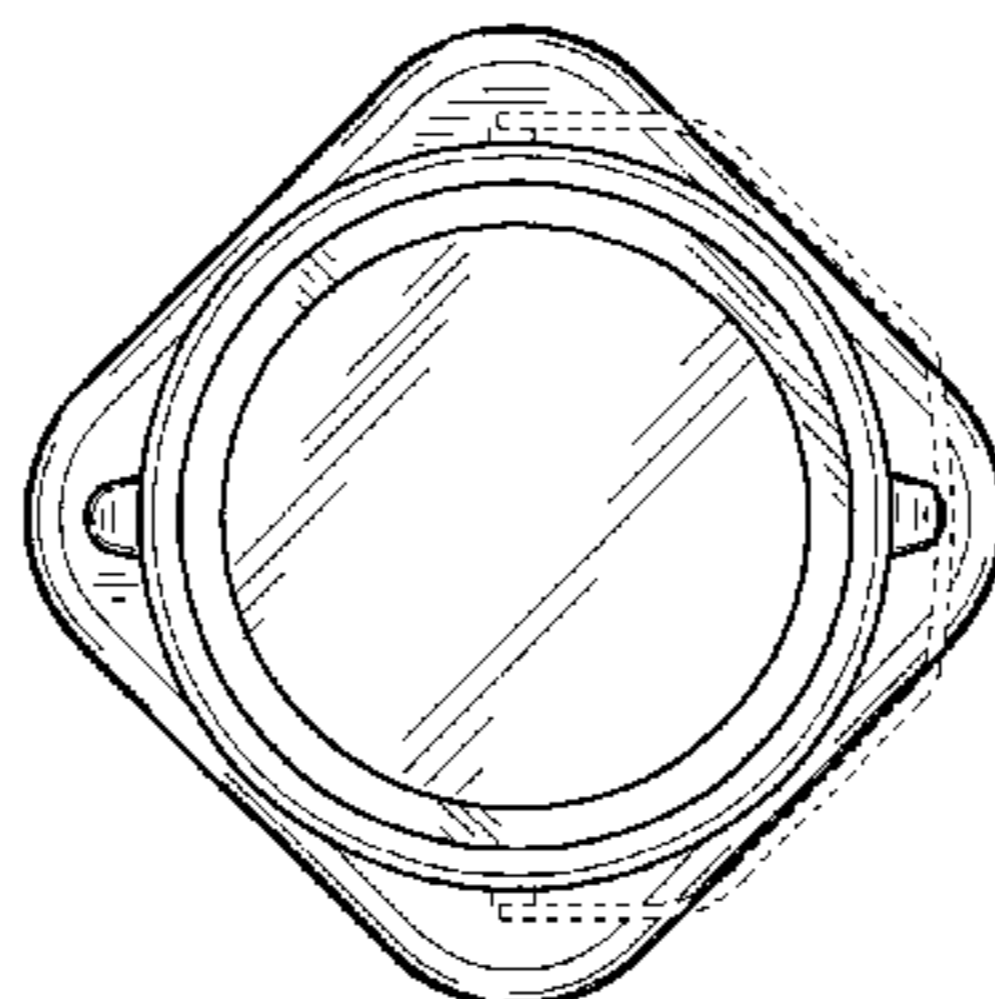
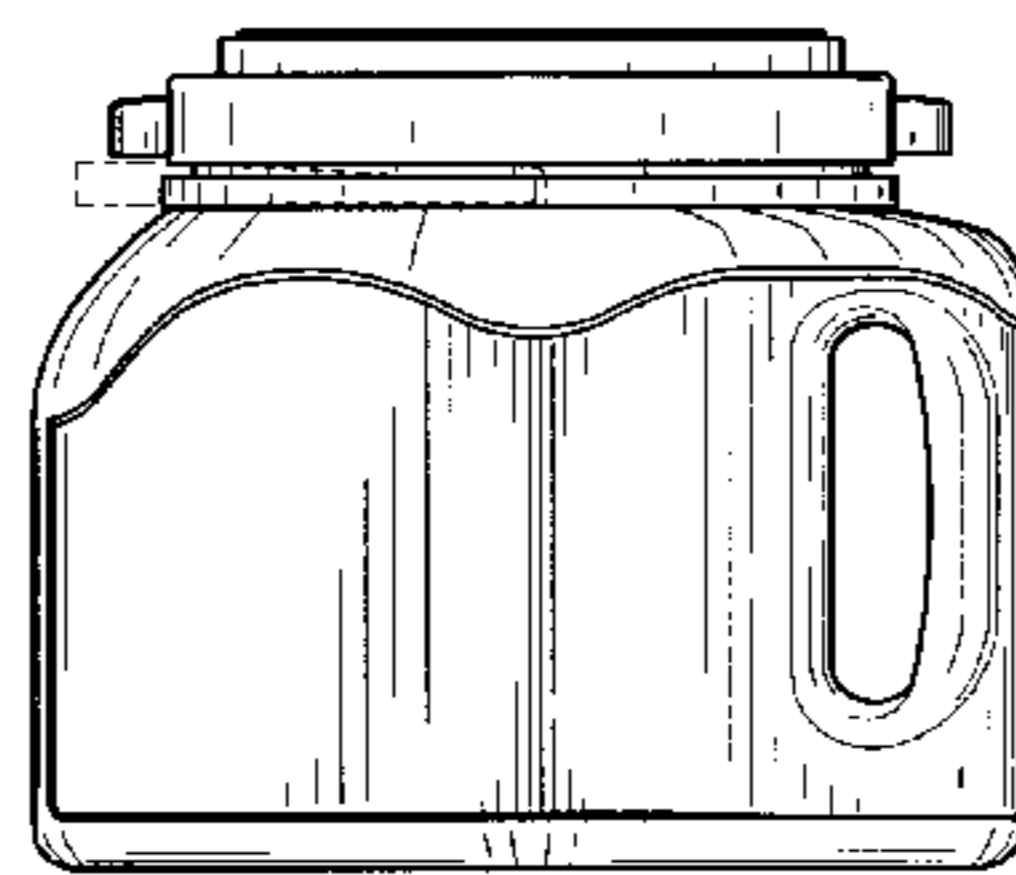
FIG. 1 is a perspective view of the container for coating materials embodying our design.  
FIG. 2 is a front view of the container for coating materials shown in FIG. 1.  
FIG. 3 is a top view of the container for coating materials shown in FIG. 1.  
FIG. 4 is a bottom view of the container for coating materials shown in FIG. 1.  
FIG. 5 is a left side view of the container for coating materials shown in FIG. 1; and,  
FIG. 6 is a right side view of the container for coating materials shown in FIG. 1.  
The broken lines shown in the drawings are for illustrative purposes only and form no part of the claimed design.

(56) **References Cited**

**U.S. PATENT DOCUMENTS**

- D34,895 S 8/1901 McFaddin
- 1,611,443 A \* 12/1926 Hothersall ..... D9/560 X
- D89,681 S 4/1933 Crimmel et al.
- 2,324,338 A 7/1943 Tripp
- 2,520,549 A 8/1950 Jacobsen
- 2,659,519 A 11/1953 Allen
- 2,660,333 A 11/1953 Paxton
- 2,707,574 A 5/1955 Klebenow

**1 Claim, 1 Drawing Sheet**



# US D480,973 S

U.S. PATENT DOCUMENTS					
D209,018 S	10/1967	Holtz	4,583,666 A	4/1986	Buck
3,366,290 A	1/1968	Mojonnier et al.	4,616,759 A	10/1986	Mahler
3,387,749 A	6/1968	Godshalk et al.	4,619,373 A	10/1986	Galer
D211,928 S	8/1968	Burnett	4,640,855 A	2/1987	St. Clair
3,434,635 A	3/1969	Mason, Jr.	D289,261 S	4/1987	Shadwell
D217,231 S	4/1970	Pashman	D289,377 S	4/1987	Ashby et al.
3,526,110 A	9/1970	Foote	4,664,295 A	5/1987	Iida
3,533,503 A	10/1970	Wood et al.	4,666,065 A	5/1987	Ohren
3,593,880 A	7/1971	Kulbacki	4,671,421 A	6/1987	Reiber et al.
3,595,431 A	7/1971	Bird	4,696,416 A	9/1987	Muckenfuhs et al.
D221,515 S	8/1971	Betka	4,702,395 A	10/1987	Nitsch
D221,518 S	8/1971	Weckman	4,706,829 A	11/1987	Li
3,596,813 A	8/1971	Munn	4,715,504 A	12/1987	Chant et al.
3,612,595 A	10/1971	Updegraff et al.	4,717,034 A	1/1988	Mumford
3,620,410 A	11/1971	Griese, Jr.	4,736,874 A	4/1988	Durant
D224,200 S	7/1972	Kretz	D296,873 S	7/1988	Dent et al.
3,695,488 A	10/1972	Olsson	4,804,119 A	2/1989	Goodall
3,727,792 A	4/1973	Levin	4,805,793 A	2/1989	Brandt et al.
3,730,382 A	5/1973	Heisler	4,830,234 A	5/1989	Odet
3,744,671 A	7/1973	Saunders, Jr.	4,860,927 A	8/1989	Grinde
3,756,451 A	9/1973	Popeil	4,865,233 A	9/1989	Kain
3,807,679 A	4/1974	Burke et al.	D304,014 S	10/1989	O'Connell
3,866,791 A *	2/1975	Roper et al. .... 220/770	D305,407 S	1/1990	Gonda
3,889,732 A	6/1975	Wilkins	4,890,768 A	1/1990	Robinson
3,899,107 A	8/1975	Gaal	4,890,770 A	1/1990	Haga et al.
3,938,686 A	2/1976	Milligan et al.	4,892,126 A	1/1990	Bucheler et al.
3,945,527 A	3/1976	Pylant	4,893,723 A	1/1990	Seabolt
4,014,465 A	3/1977	Ritter	4,893,724 A	1/1990	Schiemann
D244,990 S	7/1977	Anderson	4,893,732 A	1/1990	Jennings
D246,227 S *	11/1977	Douglas ..... D34/39	D305,980 S	2/1990	Binder et al.
4,061,242 A	12/1977	Donlon	4,898,304 A	2/1990	Bacon, Jr.
4,078,700 A	3/1978	Hidding	4,911,319 A	3/1990	DeJean
D248,216 S	6/1978	Allen et al.	4,917,268 A	4/1990	Campbell et al.
4,128,189 A	12/1978	Baxter	D308,148 S	5/1990	Meyer
4,129,236 A	12/1978	Wrycraft et al.	4,926,390 A	5/1990	Murzsa
D250,806 S	1/1979	Gutkowski	4,927,046 A	5/1990	Armstrong
D251,358 S	3/1979	Gutkowski	D308,336 S	6/1990	Delbanco
4,150,763 A	4/1979	Simpson	4,941,815 A	7/1990	Julian
4,171,063 A	10/1979	Cloutier	4,949,884 A	8/1990	Dahl
4,203,537 A	5/1980	McAlister	D311,681 S	10/1990	Aggarwal
4,225,064 A	9/1980	Westcott	D312,157 S *	11/1990	Sjolander ..... D9/532 X
4,228,916 A	10/1980	Weingardt	4,969,617 A	11/1990	Desjardins
4,240,568 A	12/1980	Pool	4,974,749 A	12/1990	Mon
4,245,753 A	1/1981	Ellis	D313,350 S	1/1991	Beaver
4,245,754 A	1/1981	Ellis	D313,461 S *	1/1991	Hart et al. .... D23/225
D258,563 S	3/1981	Romagnoli	4,981,239 A	1/1991	Cappel et al.
4,281,770 A	8/1981	Rainville	4,982,858 A	1/1991	von Holdt
D261,362 S	10/1981	Epperson	4,984,714 A	1/1991	Sledge
4,298,145 A	11/1981	Iida	4,993,605 A	2/1991	Del'Re
4,312,459 A	1/1982	Leach	D315,298 S	3/1991	Marucci
D265,797 S	8/1982	Platte	D315,503 S	3/1991	Hart et al.
4,380,304 A	4/1983	Anderson	5,020,692 A	6/1991	Darr
4,387,828 A	6/1983	Yates, Jr.	D318,228 S	7/1991	Schlesselman
4,387,922 A	6/1983	Geisinger	5,027,973 A	7/1991	Drogos
D269,948 S	8/1983	Janssen	D320,345 S *	10/1991	Hamly et al. .... D9/523
4,399,926 A	8/1983	Eidels-Dubovoy	D320,741 S	10/1991	Willis et al.
4,412,633 A	11/1983	Guerrazzi et al.	D321,132 S	10/1991	Wiseman et al.
4,453,647 A	6/1984	Neat	5,054,661 A	10/1991	Hollje
4,463,867 A	8/1984	Nagel	5,058,772 A	10/1991	Moore et al.
4,474,303 A *	10/1984	Maccise ..... 220/212.5 X	D321,624 S	11/1991	Fiore et al.
D276,890 S	12/1984	Hancher	5,071,037 A	12/1991	Moore et al.
D277,363 S	1/1985	Drummond, Jr. et al.	D323,115 S	1/1992	Kelsey
4,491,234 A	1/1985	Wilcock	5,092,474 A	3/1992	Leigner
4,520,936 A	6/1985	Lyons	5,108,009 A	4/1992	Davidson et al.
D279,763 S	7/1985	Hestehave et al.	5,114,659 A	5/1992	Krall
4,548,332 A	10/1985	Neat	D327,648 S	7/1992	Cane
4,549,977 A	10/1985	Joshi et al.	5,131,566 A	7/1992	Bavegems
4,550,862 A	11/1985	Barker et al.	D329,597 S	9/1992	Gallagher et al.
D281,579 S	12/1985	Drummond, Jr. et al.	5,160,067 A	11/1992	Luber
4,575,074 A	3/1986	Damratoski	D332,747 S	1/1993	Darr et al.
			5,181,630 A	1/1993	McNally

# US D480,973 S

5,207,356 A	5/1993	Krall	D402,562 S	12/1998	Anderson et al.
5,234,130 A	8/1993	Benioff et al.	D403,243 S	12/1998	Takeuchi et al.
5,267,675 A	12/1993	Cane	5,850,953 A	12/1998	Dallas, Jr.
5,269,438 A	12/1993	Kelsey	D403,821 S	1/1999	Kerridge
D342,898 S	1/1994	Cane	5,855,299 A	1/1999	Arnold et al.
5,299,710 A	4/1994	Welsch et al.	5,855,304 A	1/1999	Dean et al.
5,322,662 A	6/1994	Benioff et al.	5,860,559 A	1/1999	Wang
5,346,106 A	9/1994	Ring	5,893,489 A	4/1999	Giarrante
D351,792 S	* 10/1994	Morris, Sr. .... D9/425	5,896,993 A	4/1999	Nask et al.
5,358,148 A	10/1994	Hanifl et al.	5,908,136 A	6/1999	Mrak
D352,459 S	11/1994	Pollacco	5,924,593 A	7/1999	Rutledge, Jr. et al.
D352,659 S	11/1994	Nilsson et al.	5,941,404 A	8/1999	Charrette
5,366,101 A	11/1994	Krall et al.	5,941,422 A	8/1999	Struble
D353,541 S	12/1994	Rogler et al.	5,941,427 A	8/1999	Speer
5,377,858 A	1/1995	Morris, Sr.	5,964,383 A	10/1999	Cargile
D355,366 S	2/1995	Bainton	5,967,378 A	10/1999	Arispe
5,392,968 A	2/1995	Dark	5,971,201 A	10/1999	Daw
D358,333 S	5/1995	Stockwell et al.	5,975,346 A	11/1999	Imperato et al.
5,431,306 A	7/1995	Reid	D417,621 S	12/1999	Hofmeister et al.
D360,830 S	8/1995	Hestehave et al	D417,849 S	12/1999	Beaver
5,445,195 A	8/1995	Kim	6,029,858 A	2/2000	Srokose et al.
D362,180 S	9/1995	Haines	D422,920 S	4/2000	Tapp et al.
D362,625 S	9/1995	Braun	6,053,650 A	4/2000	Bennett et al.
5,462,202 A	10/1995	Haffner et al.	6,059,153 A	5/2000	Olson et al.
D367,612 S	3/1996	Shaw et al.	6,068,161 A	5/2000	Soehnen et al.
5,509,579 A	4/1996	Robbins, III	D426,164 S	6/2000	Gans et al.
D370,153 S	5/1996	Chaney et al.	D426,925 S	6/2000	Axhamre
5,517,837 A	5/1996	Wang	6,085,949 A	7/2000	Zimny et al.
D370,850 S	6/1996	Beaver	D428,817 S	8/2000	Olson et al.
D372,197 S	7/1996	Gough	D429,646 S	8/2000	Goettner
D374,178 S	10/1996	Valls et al.	D430,021 S	8/2000	Goettner
5,566,861 A	10/1996	Serano	D430,033 S	8/2000	Beaver et al.
5,566,862 A	10/1996	Haffner et al.	6,105,813 A	8/2000	Abbey
D376,761 S	12/1996	Lathrop et al.	6,109,487 A	8/2000	Hashimoto
5,586,805 A	12/1996	Rinehart	6,123,231 A	9/2000	Geisinger
5,597,090 A	1/1997	Leahy	6,179,158 B1	1/2001	Koda
5,603,787 A	2/1997	Reid	6,209,762 B1	4/2001	Haffner et al.
D378,494 S	* 3/1997	Miller ..... D9/528	6,223,945 B1	5/2001	Giblin et al.
D379,302 S	5/1997	Rodman	6,247,600 B1	6/2001	Sullivan, Jr.
5,626,258 A	5/1997	Maiorino	D446,121 S	* 8/2001	Maddy ..... D9/500
5,626,319 A	5/1997	Fusillo	6,269,977 B1	8/2001	Moore
D380,682 S	7/1997	Robinson	6,293,692 B1	9/2001	Bowsher et al.
5,669,526 A	9/1997	Keyfauber	D448,671 S	10/2001	Gans et al.
5,678,684 A	10/1997	Wright	D448,675 S	10/2001	Thierjung
D389,067 S	1/1998	Lown	D449,535 S	10/2001	Geisinger et al.
5,704,502 A	1/1998	Greenfield	D458,844 S	6/2002	Shea
D392,188 S	3/1998	Darr et al.	6,412,661 B1	7/2002	Hannah, Sr.
D395,825 S	7/1998	Freitas	D462,012 S	8/2002	Manderfield, Jr.
RE35,933 E	10/1998	Scholl	2001/0025865 A1	10/2001	Bravo et al.
5,823,345 A	10/1998	Nask et al.	2003/0102339 A1	6/2003	Walsh et al.
D401,154 S	11/1998	Robinson	2003/0102340 A1	6/2003	Walsh et al.
D401,246 S	11/1998	Langeveld et al.			
D401,704 S	11/1998	Clark			

\* cited by examiner

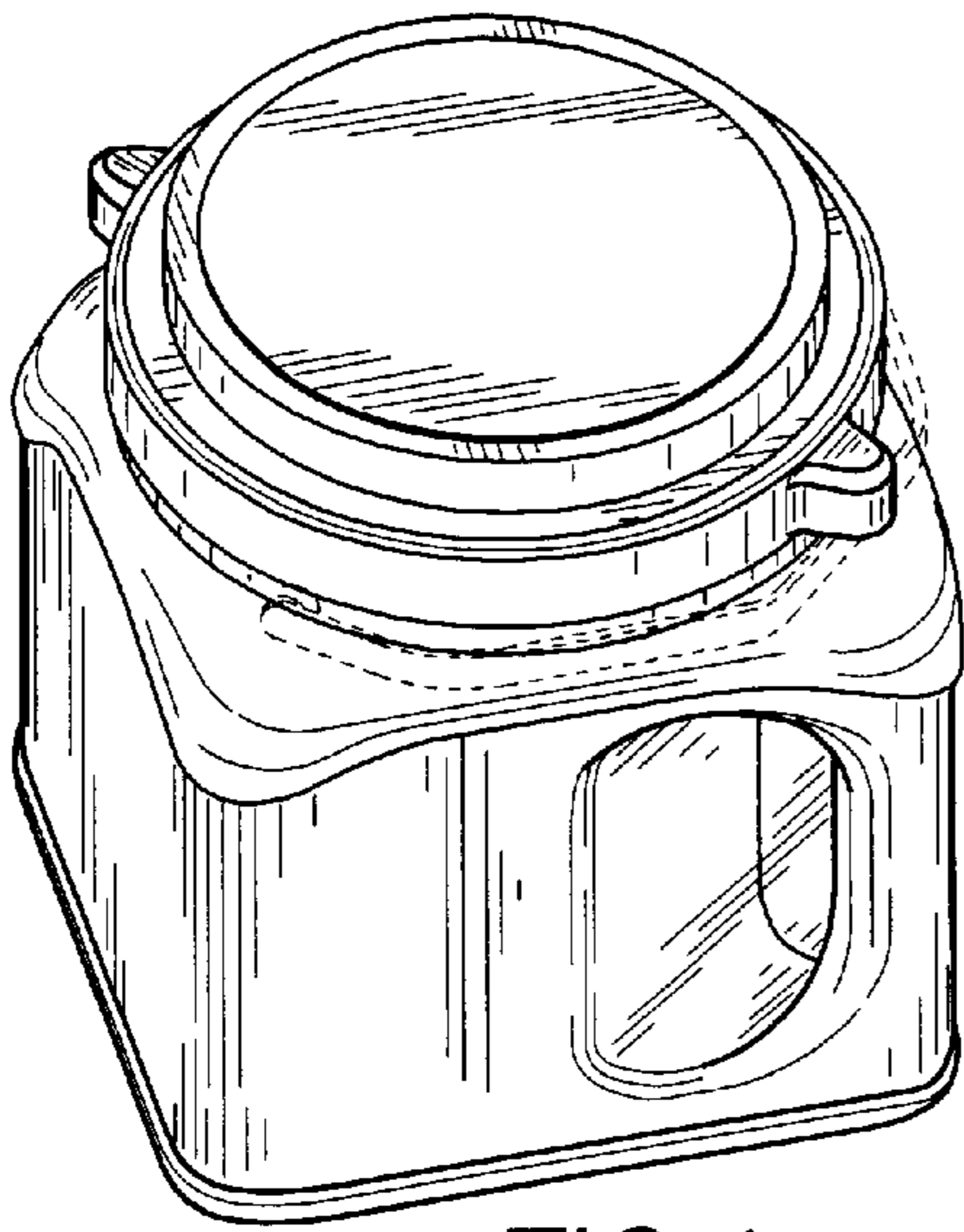


FIG. 1

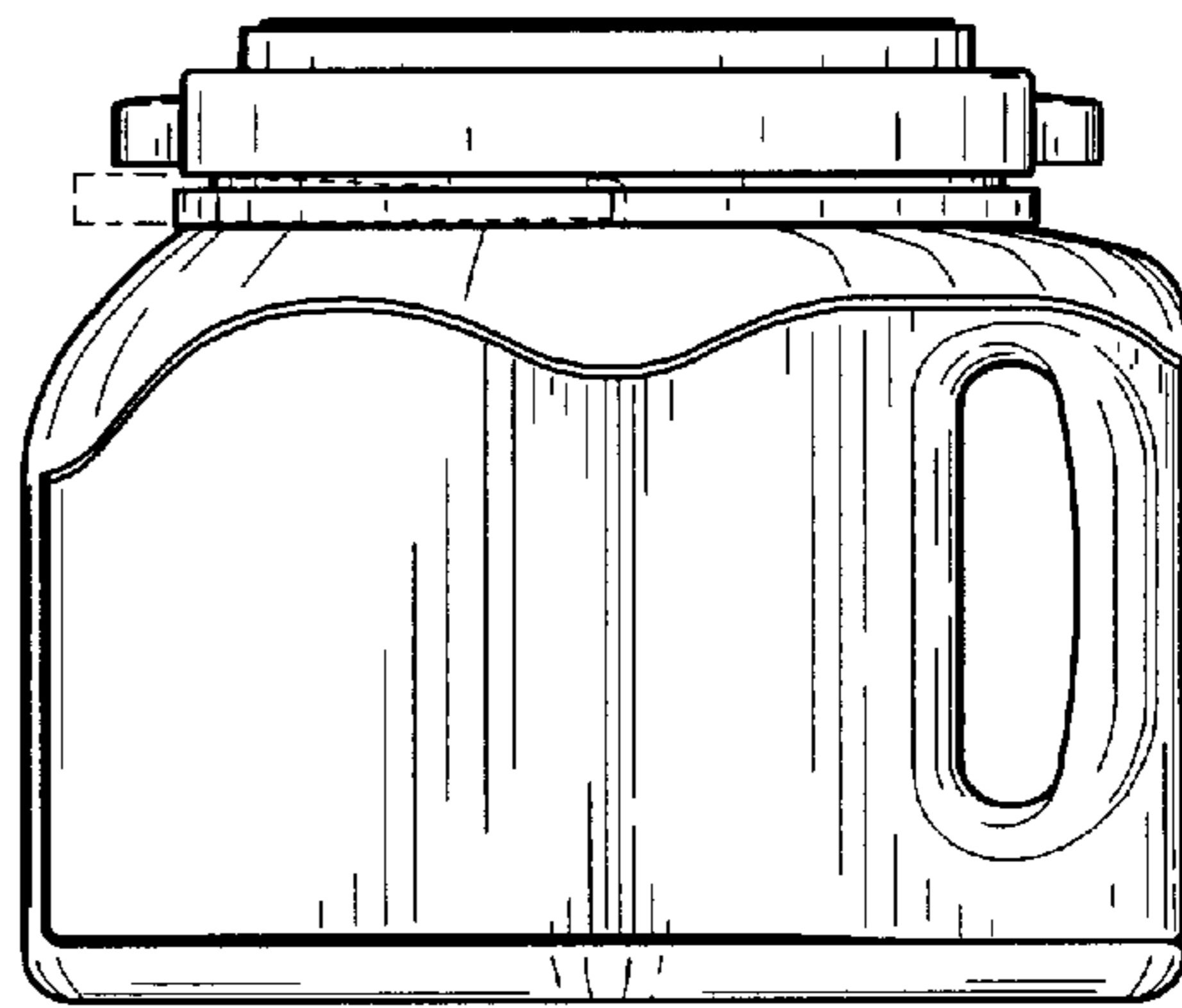


FIG. 2

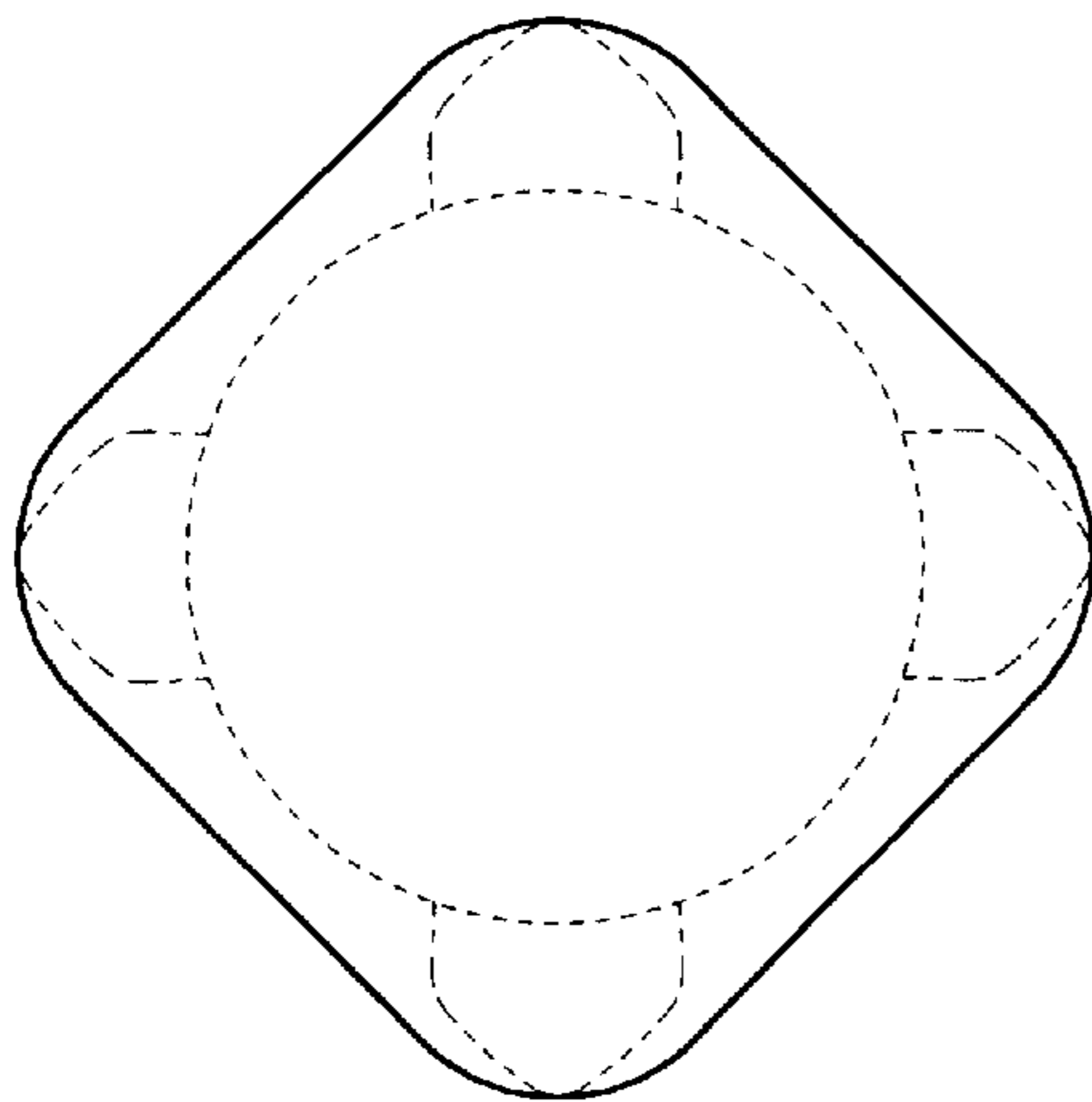


FIG. 3

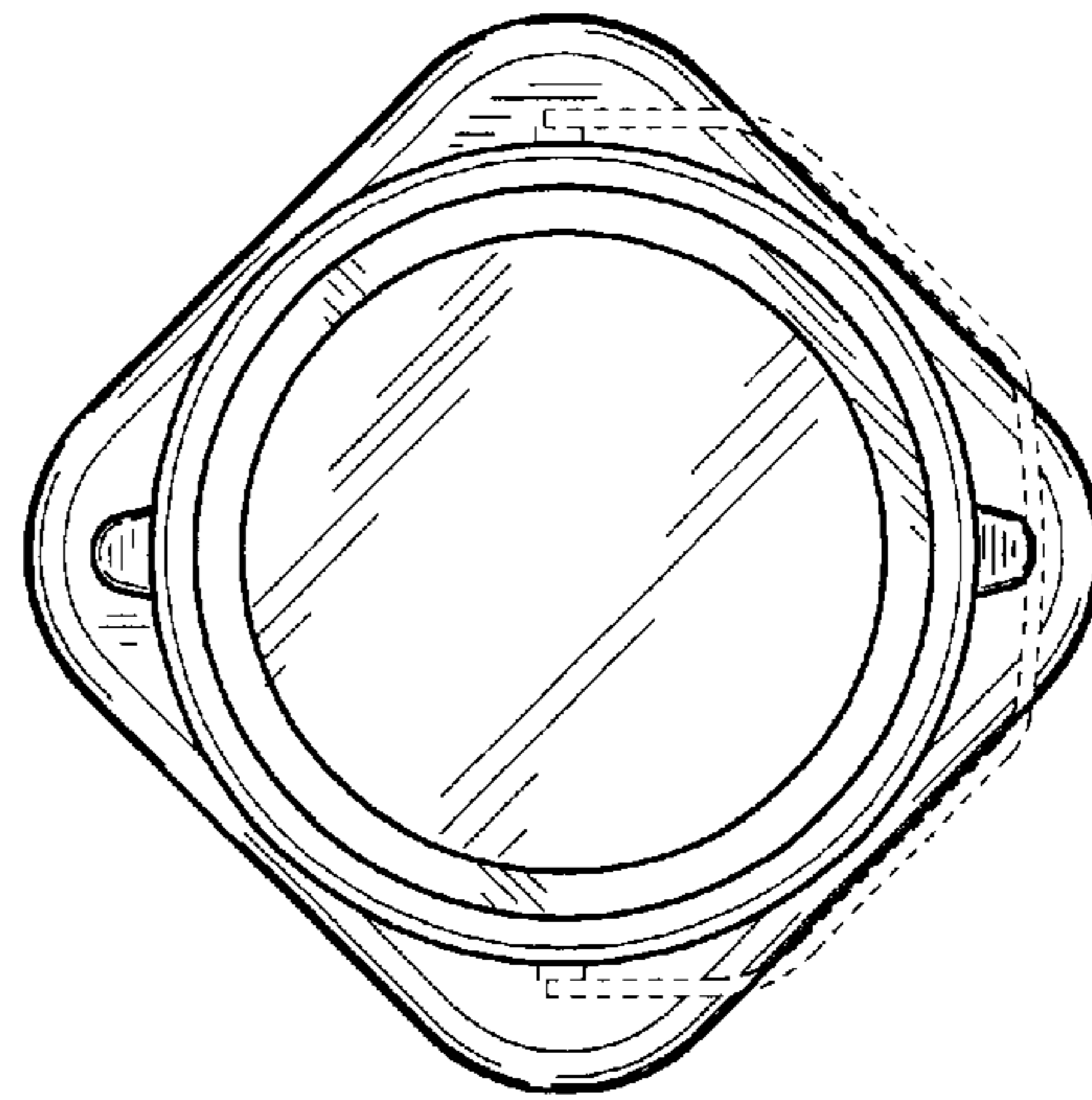


FIG. 4

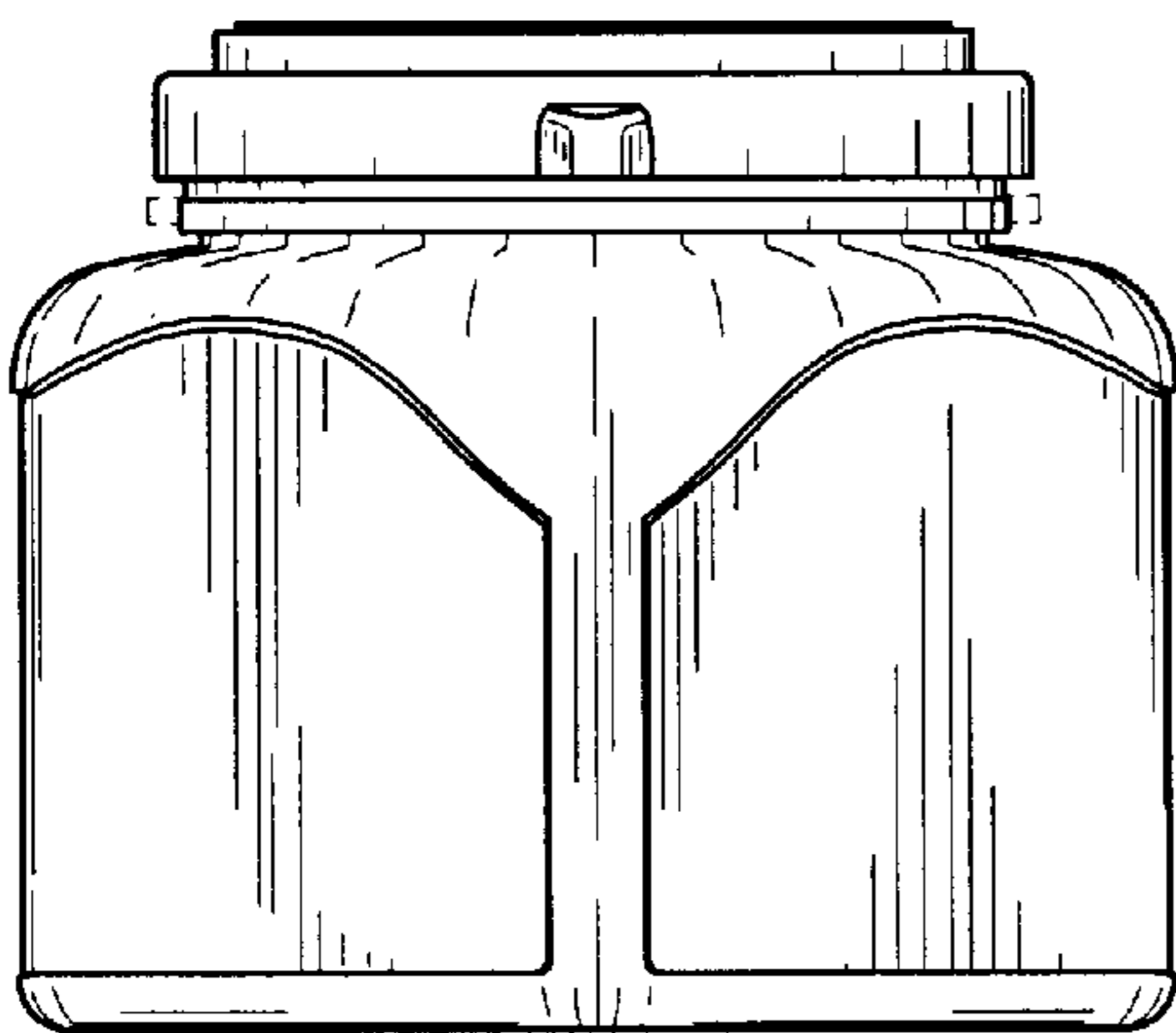


FIG. 5

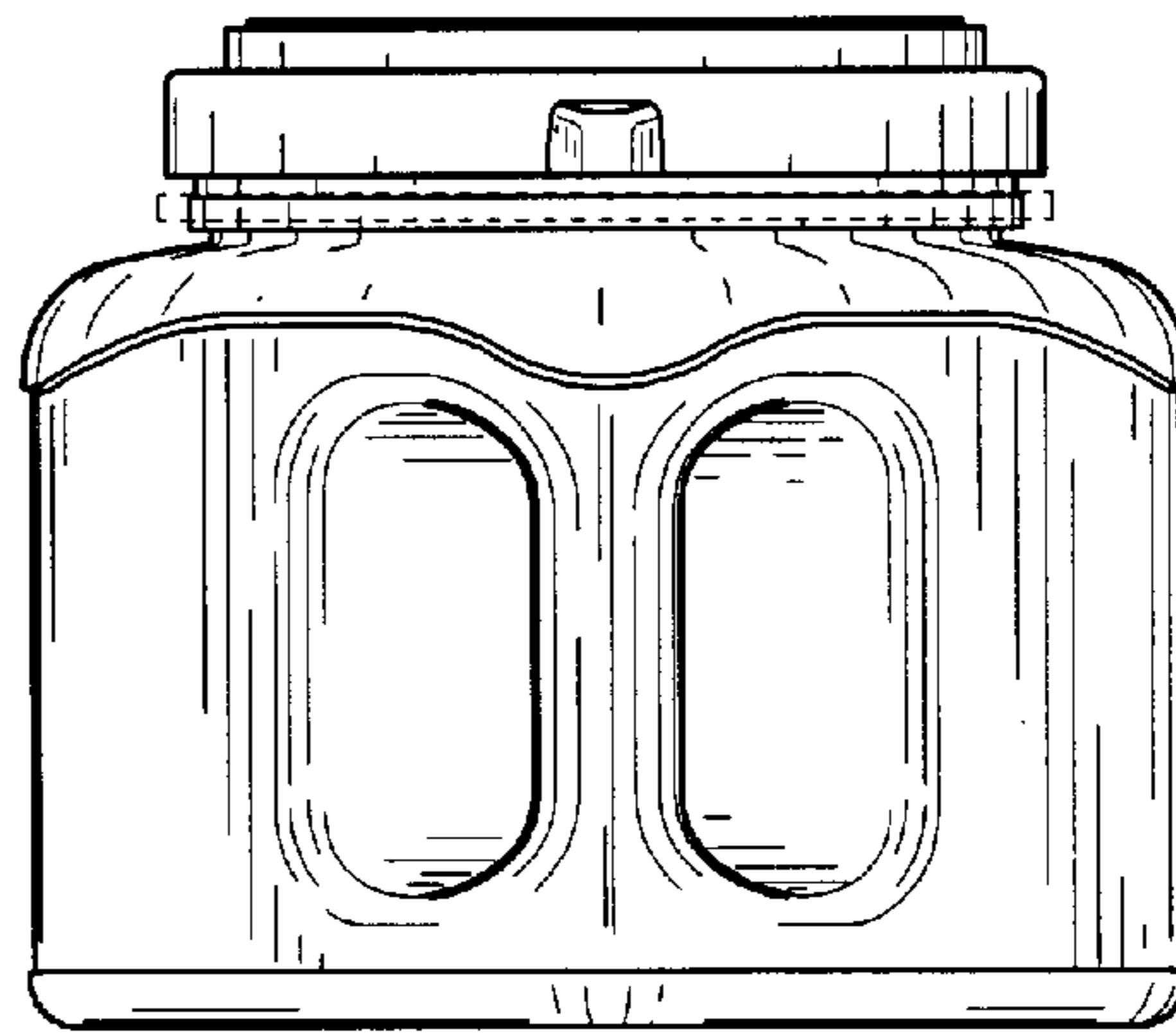


FIG. 6

UNITED STATES PATENT AND TRADEMARK OFFICE  
**CERTIFICATE OF CORRECTION**

PATENT NO. : Des. 480,973 S  
DATED : October 21, 2003  
INVENTOR(S) : John R. Nottingham et al.

Page 1 of 1

It is certified that error appears in the above-identified patent and that said Letters Patent is hereby corrected as shown below:

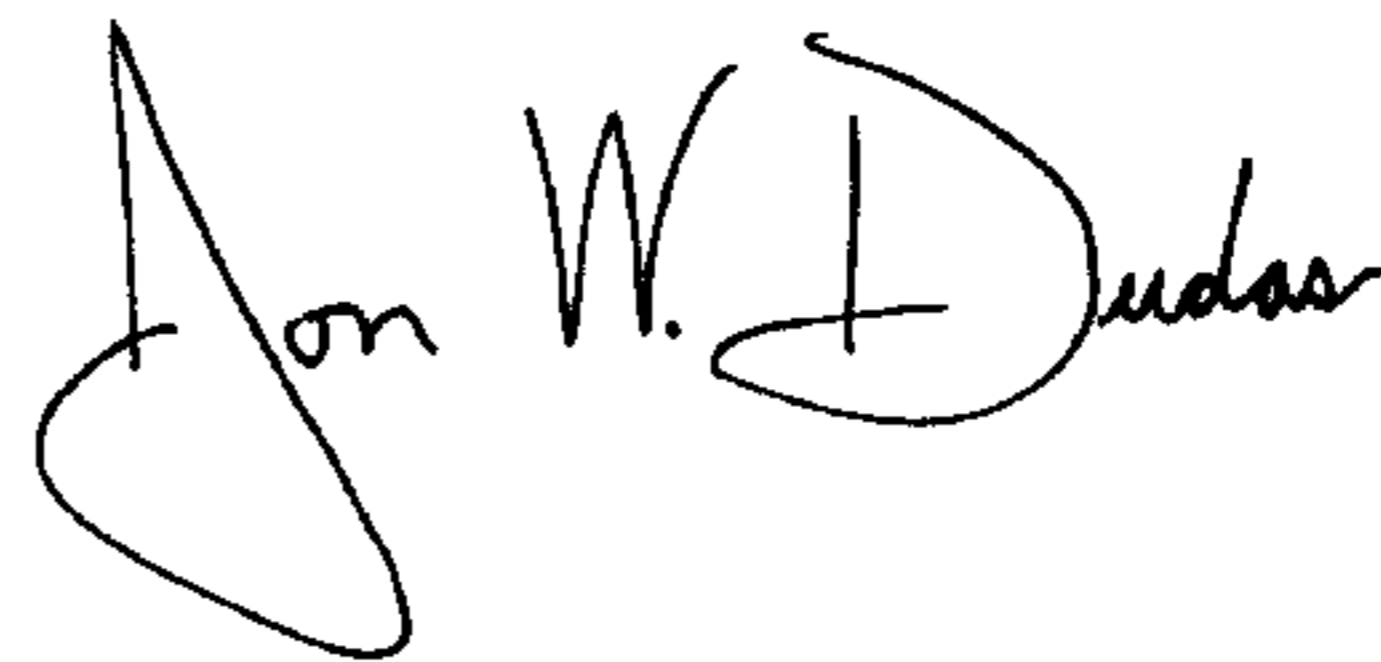
Title page,

Item [54], Title, please delete “**DESIGN FOR A ROUND PAINT CONTAINER**” and insert -- **CONTAINER FOR COATING MATERIALS** --;

Item [57], Inventors, please delete “round paint container” and insert -- container for coating materials --;

Signed and Sealed this

Twenty-fourth Day of February, 2004

A handwritten signature in black ink that reads "Jon W. Dudas". The signature is written in a cursive style with a large, looped initial "J".

JON W. DUDAS

*Acting Director of the United States Patent and Trademark Office*