



US00D480972S

(12) **United States Design Patent**
Cheresko

(10) **Patent No.:** **US D480,972 S**
(45) **Date of Patent:** **** Oct. 21, 2003**

(54) **FLUID CARRYING CONTAINER
EXHIBITING A REARWARDLY DISPOSED
HANDLE**

D370,379 S * 6/1996 Klein et al. D7/313
D376,876 S * 12/1996 McInnes D30/121

* cited by examiner

(76) Inventor: **Dan Cheresko**, P.O. Box 176, New Hudson, MI (US) 48165

Primary Examiner—Ted Shooman
Assistant Examiner—Daniel Bui

(**) Term: **14 Years**

(74) *Attorney, Agent, or Firm*—Gifford, Krass, Groh, Sprinkle, Anderson & Citkowski, P.C.

(21) Appl. No.: **29/166,132**

(57) **CLAIM**

(22) Filed: **Aug. 22, 2002**

I claim the ornamental design for a fluid carrying container exhibiting a rearwardly disposed handle, as shown and described.

(51) **LOC (7) Cl.** **09-03**

(52) **U.S. Cl.** **D9/527**

(58) **Field of Search** D9/516, 520, 523,
D9/526, 527, 528, 530, 531, 534, 535,
563, 567, 569, 570, 573, 574, 575; 206/527,
822; 215/40, 272, 316, 400, 396, 398; 220/890,
771

DESCRIPTION

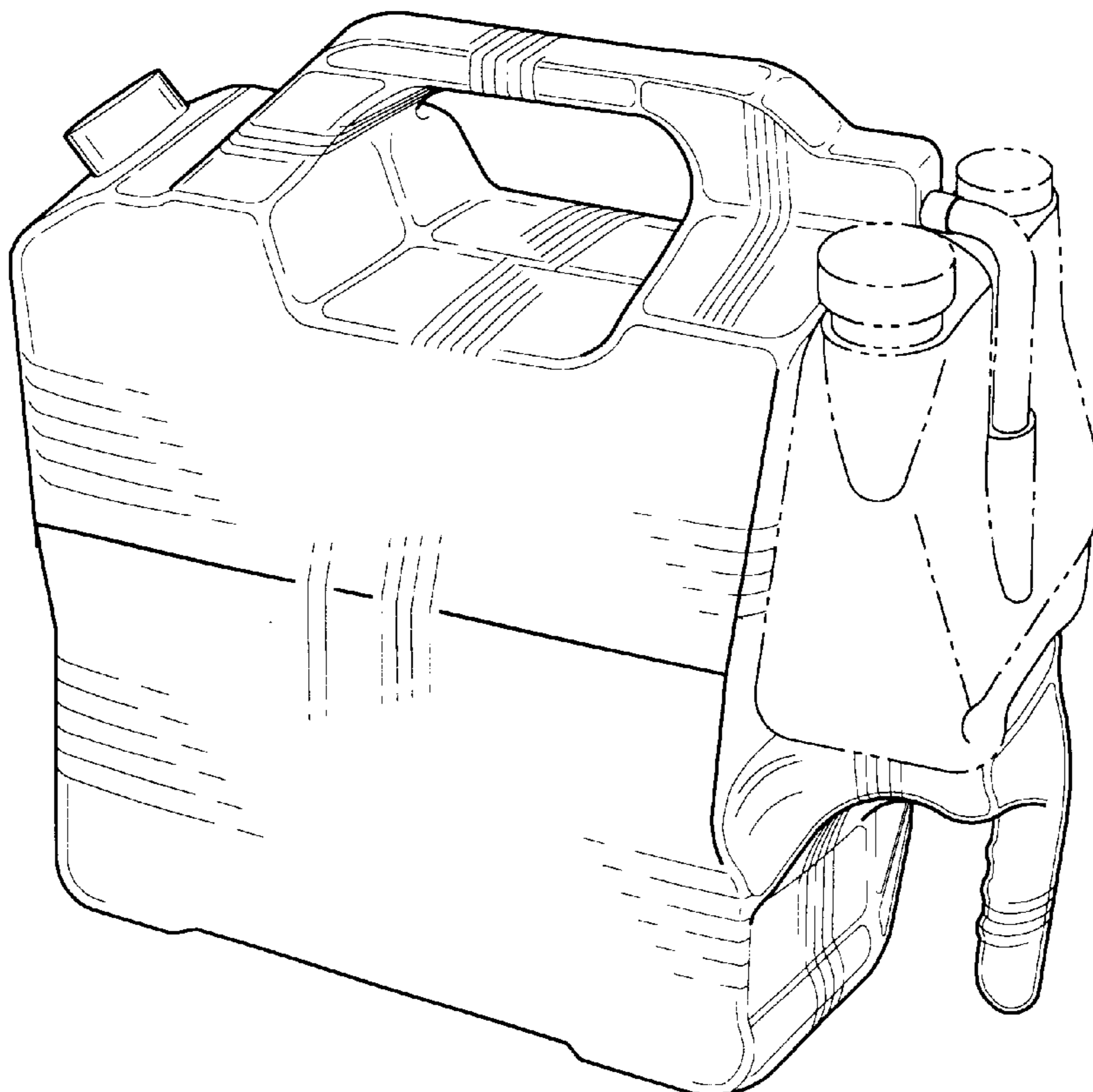
FIG. 1 is a perspective view of a fluid carrying container exhibiting a rearwardly disposed handle showing my design; FIG. 2 is a right side elevation view thereof, the left side elevation view being a mirror image; FIG. 3 is a front elevation view thereof; FIG. 4 is a rear elevation view thereof; FIG. 5 is a top plan view thereof; and, FIG. 6 is a bottom plan view thereof. The broken line showing of the environment of FIG. 7 is for illustrative purposes only and forms no part of the claimed design.

(56) **References Cited**

U.S. PATENT DOCUMENTS

- D196,145 S * 8/1963 Kinsley D58/5
- D227,345 S * 6/1973 Bell et al. D9/3
- D273,661 S * 5/1984 Widmer D9/527
- D284,641 S * 7/1986 Jones D9/341
- D287,226 S * 12/1986 Lyons D9/520
- D360,135 S * 7/1995 Balz D9/520

1 Claim, 3 Drawing Sheets



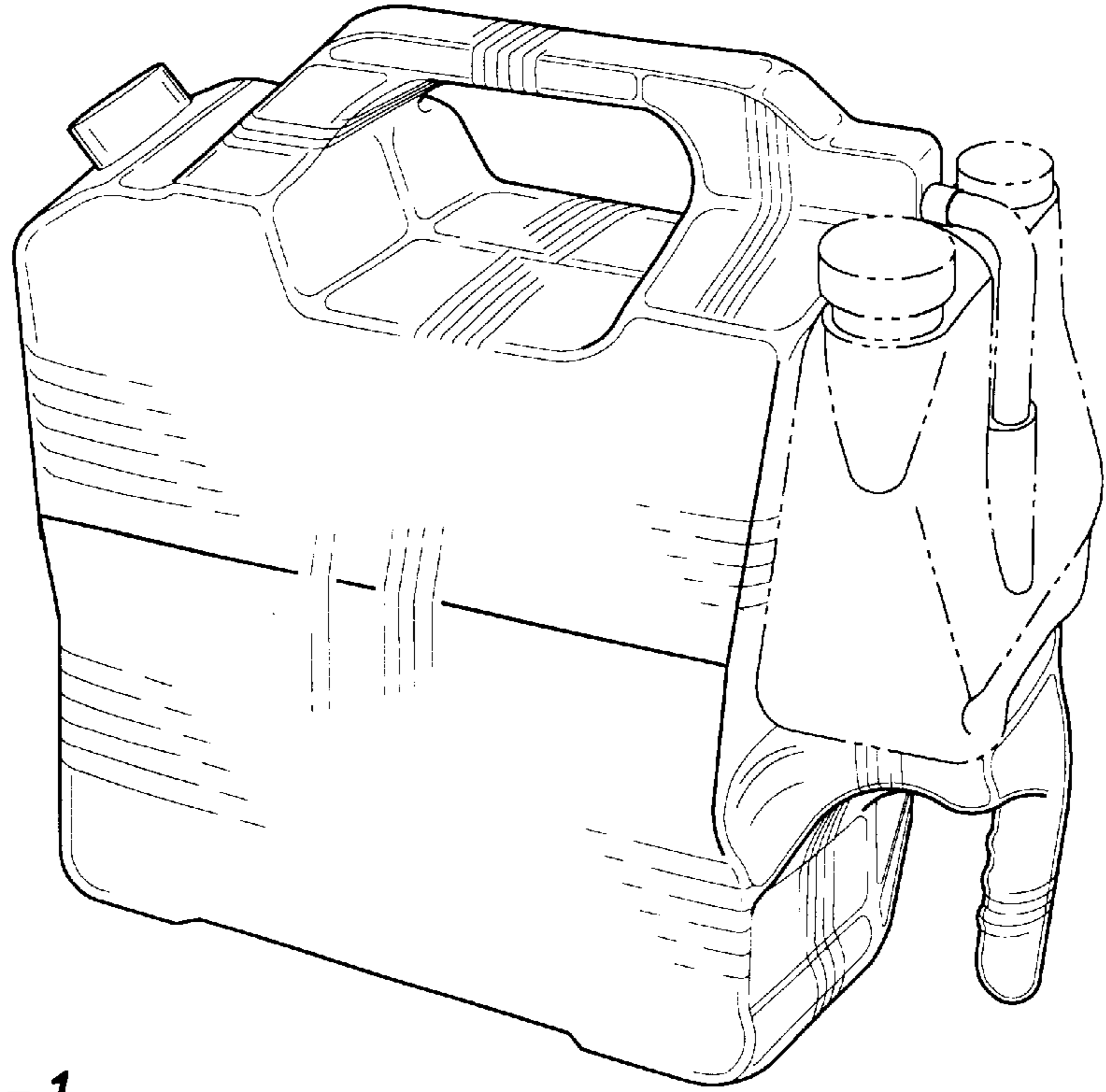


Fig-1

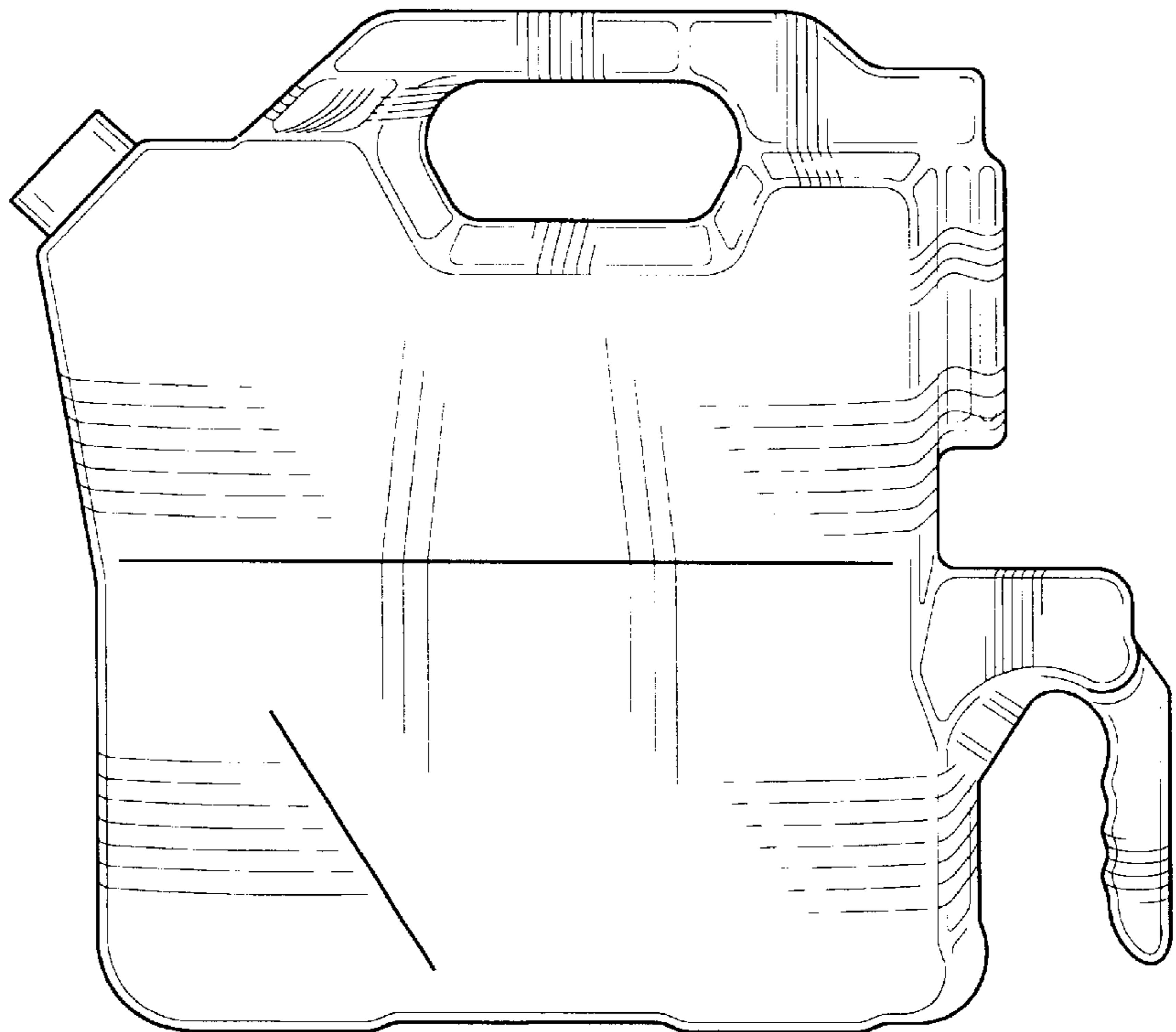


Fig-2

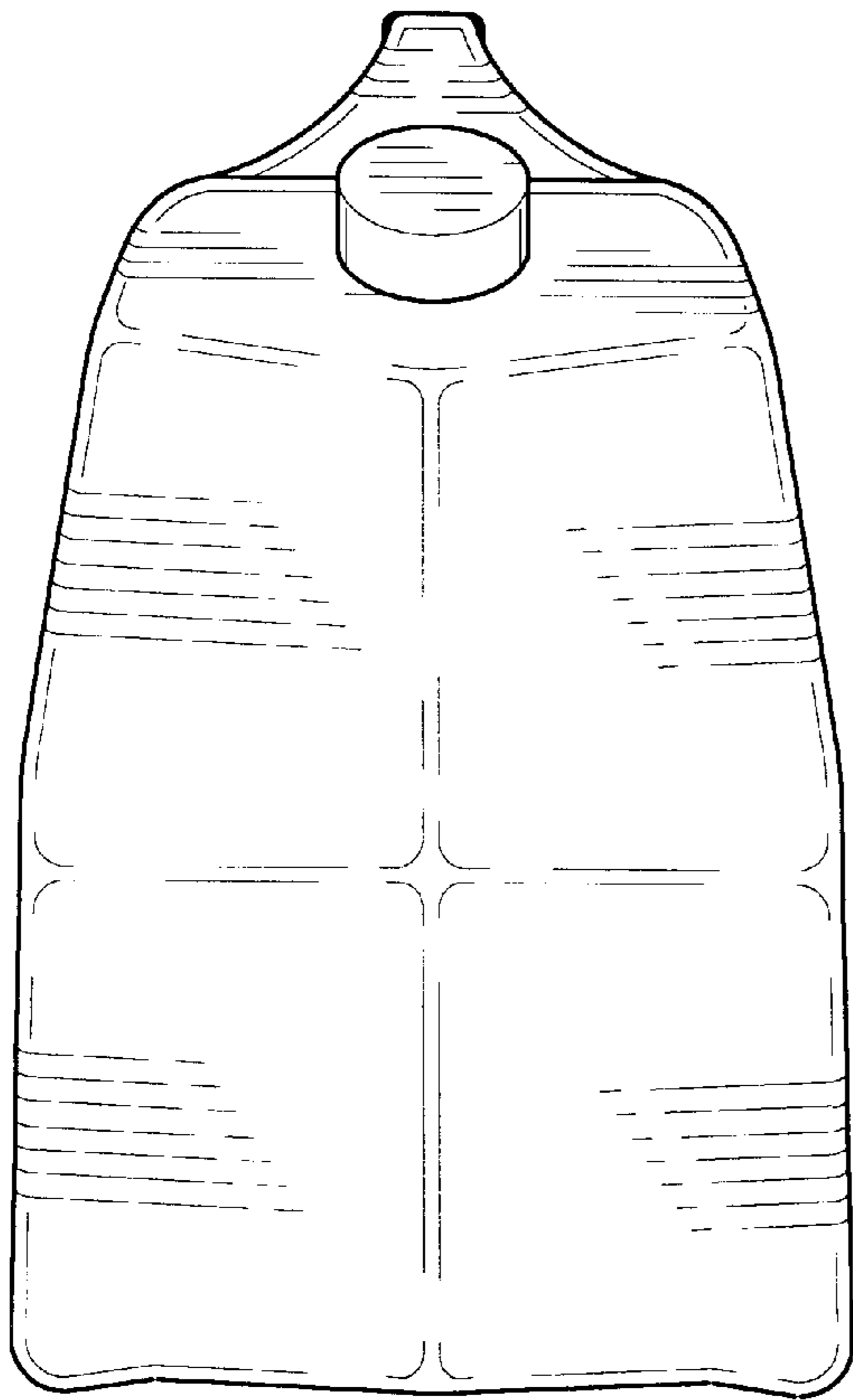


Fig-3

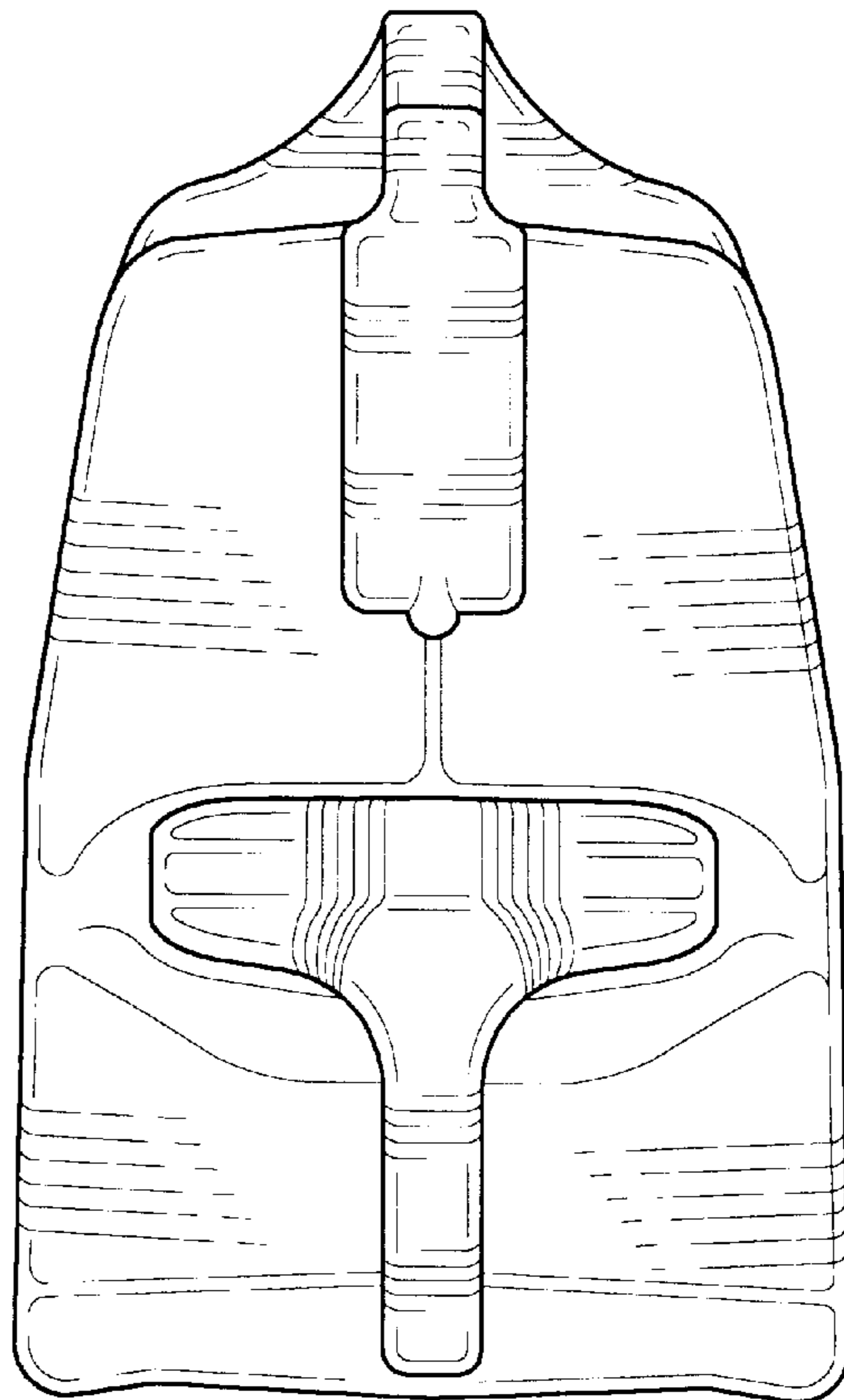


Fig-4

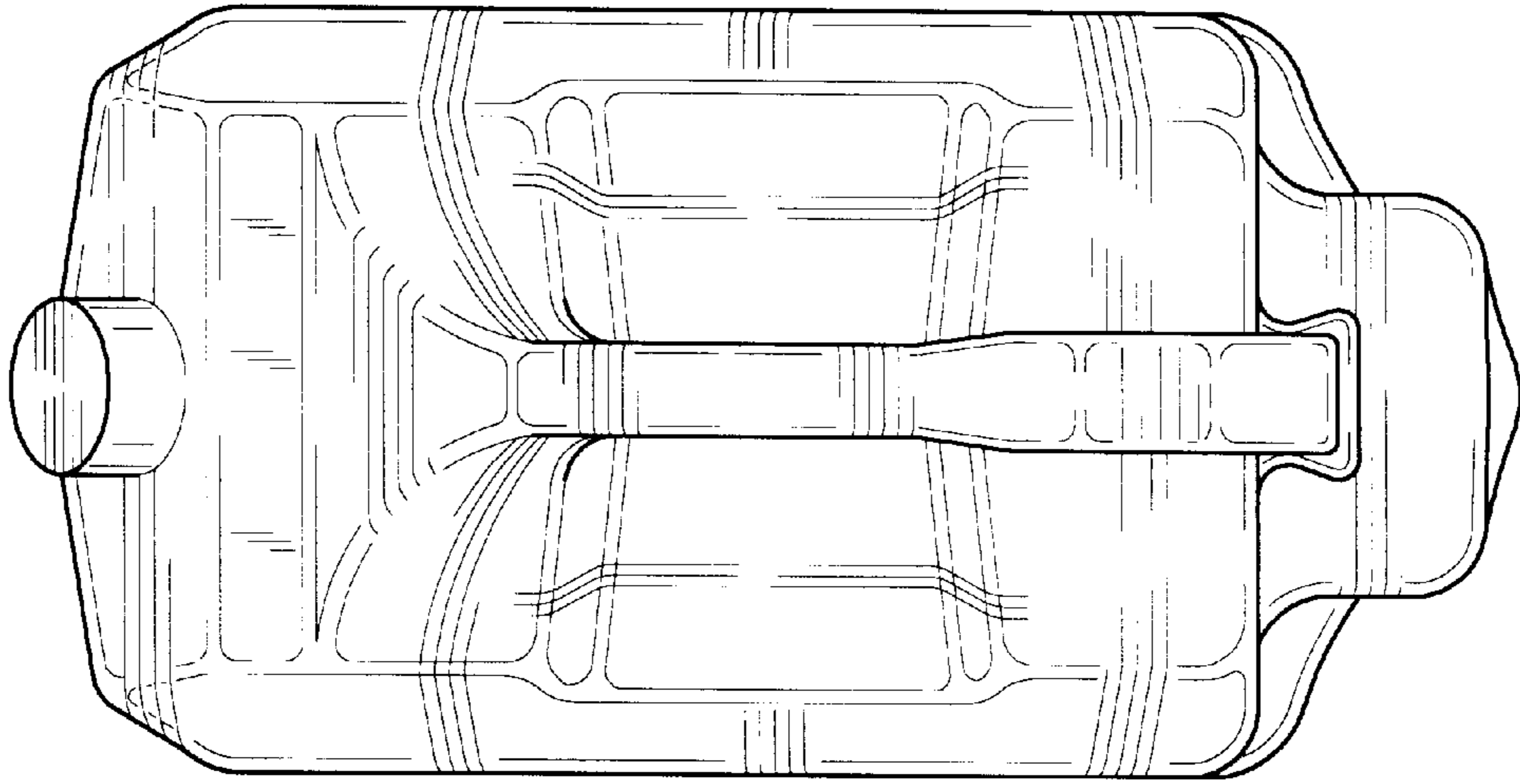


Fig-5

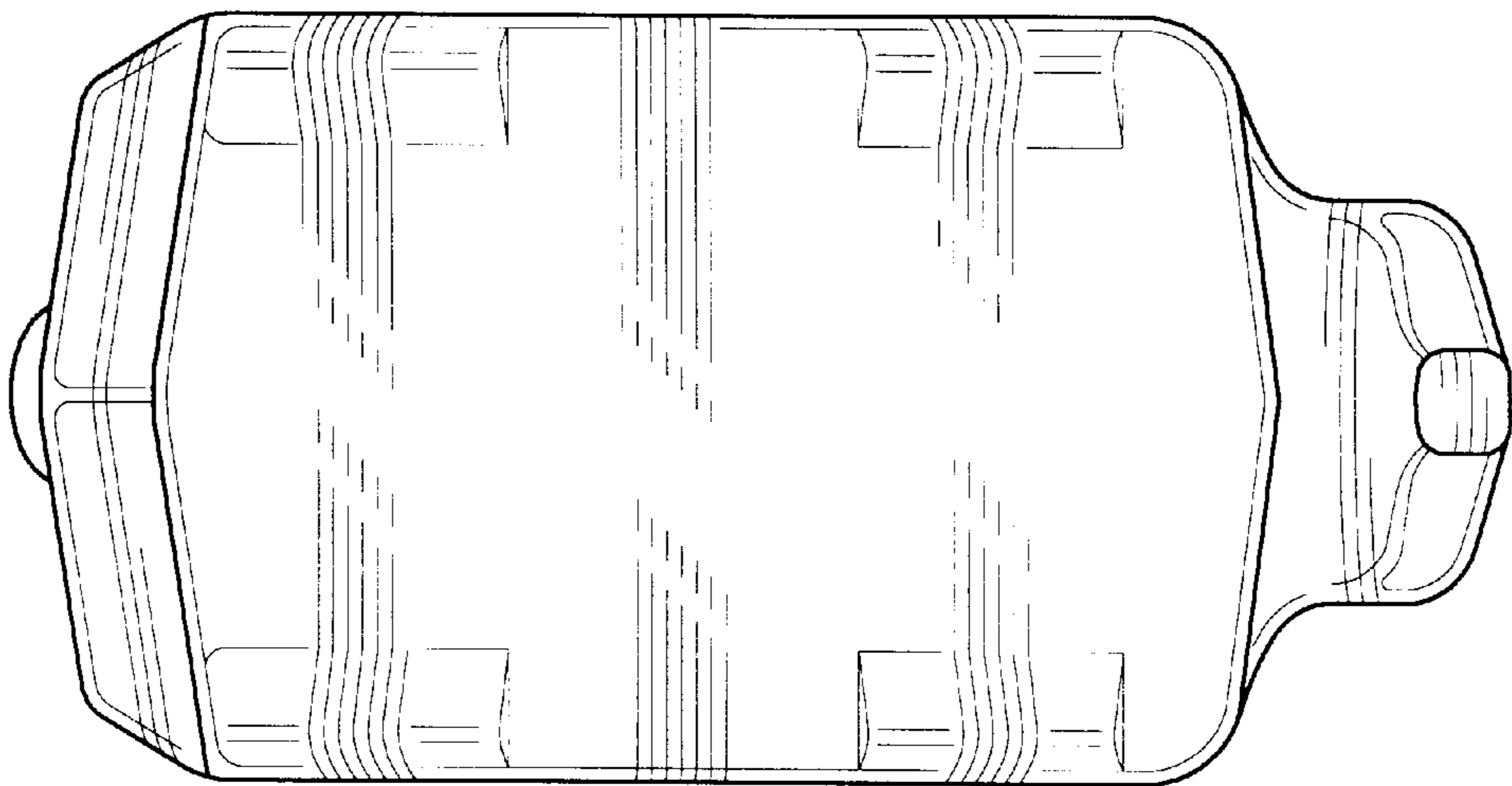


Fig-6