



US00D480969S

(12) **United States Design Patent**  
**Owens**

(10) **Patent No.:** **US D480,969 S**

(45) **Date of Patent:** **\*\* Oct. 21, 2003**

(54) **CONNECTOR FOR USE IN PACKING  
AEROSOL CONTAINERS**

(75) Inventor: **Edward F. Owens**, Ellicott City, MD  
(US)

(73) Assignee: **United States Can Company**,  
Lombard, IL (US)

(\*\*) Term: **14 Years**

(21) Appl. No.: **29/153,388**

(22) Filed: **Mar. 6, 2002**

(51) **LOC (7) Cl.** ..... **09-07**

(52) **U.S. Cl.** ..... **D9/455; D9/456; D9/434;**  
**D9/436; D9/499; 220/4.27**

(58) **Field of Search** ..... **220/4.27, 23.4,**  
**220/23.5, 23.6; D9/455, 456, 434, 436,**  
**499, 435, 549**

(56) **References Cited**

**U.S. PATENT DOCUMENTS**

2,326,414	A	*	8/1943	Thompson	.....	220/4.27
3,485,416	A	*	12/1969	Fohrman	.....	220/4.27
D434,655	S	*	12/2000	Haugh et al.	.....	D9/434
D456,257	S	*	4/2002	Bakic	.....	D9/435
D458,143	S	*	6/2002	Ackerman	.....	D9/549

\* cited by examiner

*Primary Examiner*—Louis S. Zarfaz  
*Assistant Examiner*—Gregory Andoll  
(74) *Attorney, Agent, or Firm*—Polster, Lieder, Woodruff &  
Lucchesi, L.C.

(57) **CLAIM**

The ornamental design for a connector for use in packing aerosol containers, as shown and described.

**DESCRIPTION**

The article is used to combine two aerosol cans for sale as a single unit.

FIG. 1 is an elevational view of the connector for use in packing aerosol containers showing my new design.

FIG. 2 is a top plan view of the connector;

FIG. 3 is a bottom plan view of the connector;

FIG. 4 is a perspective view looking at the top of the packaging connector;

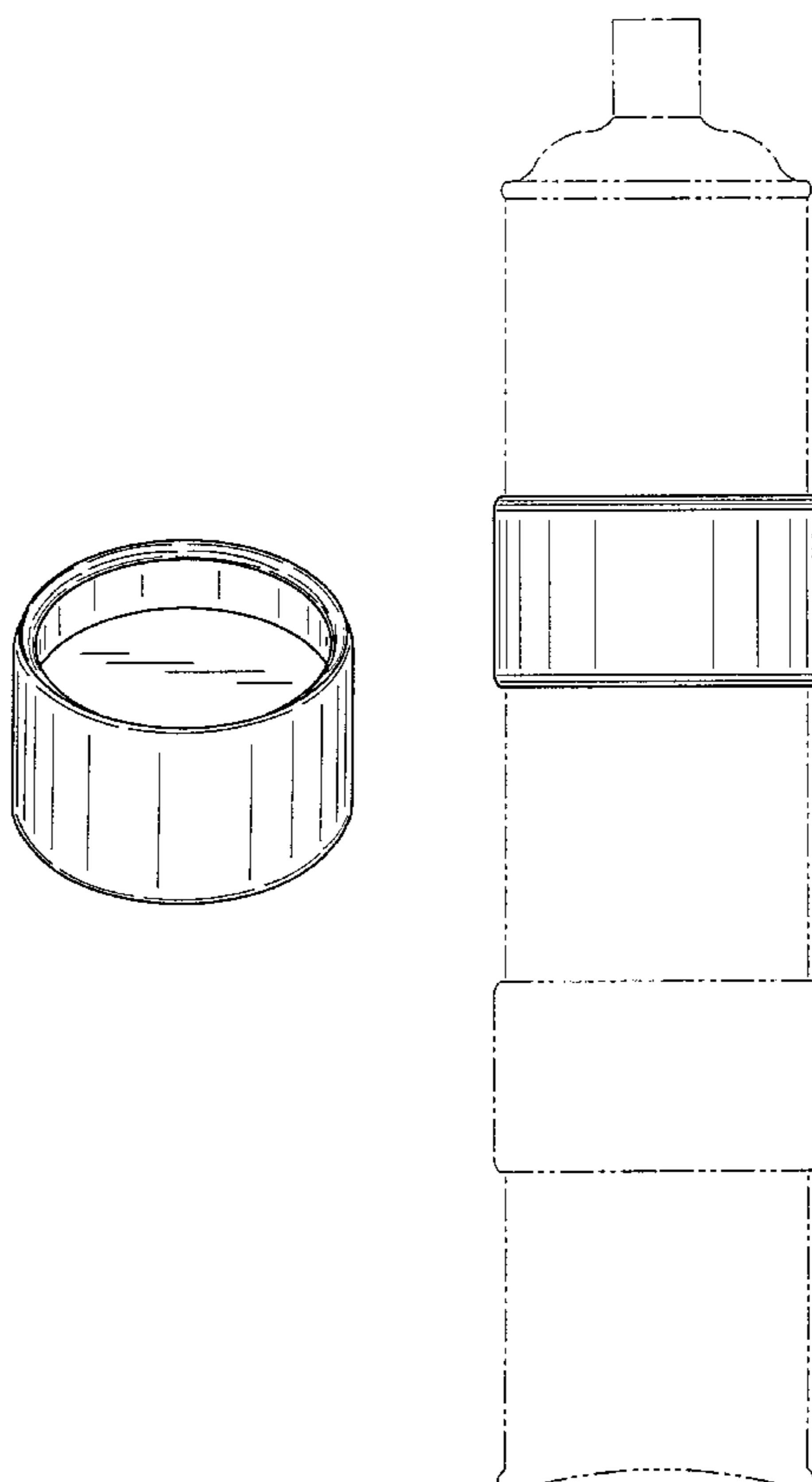
FIG. 5 is a perspective view looking at the bottom of the connector;

FIG. 6 illustrates use of two packaging connectors of the invention to vertically stack three aerosol containers for sale as a single unit; and,

FIG. 7 illustrates the type of aerosol container with which the packaging connector is used.

The broken lines in the Figures are for illustrative purposes only and form no part of the claimed design.

**1 Claim, 2 Drawing Sheets**



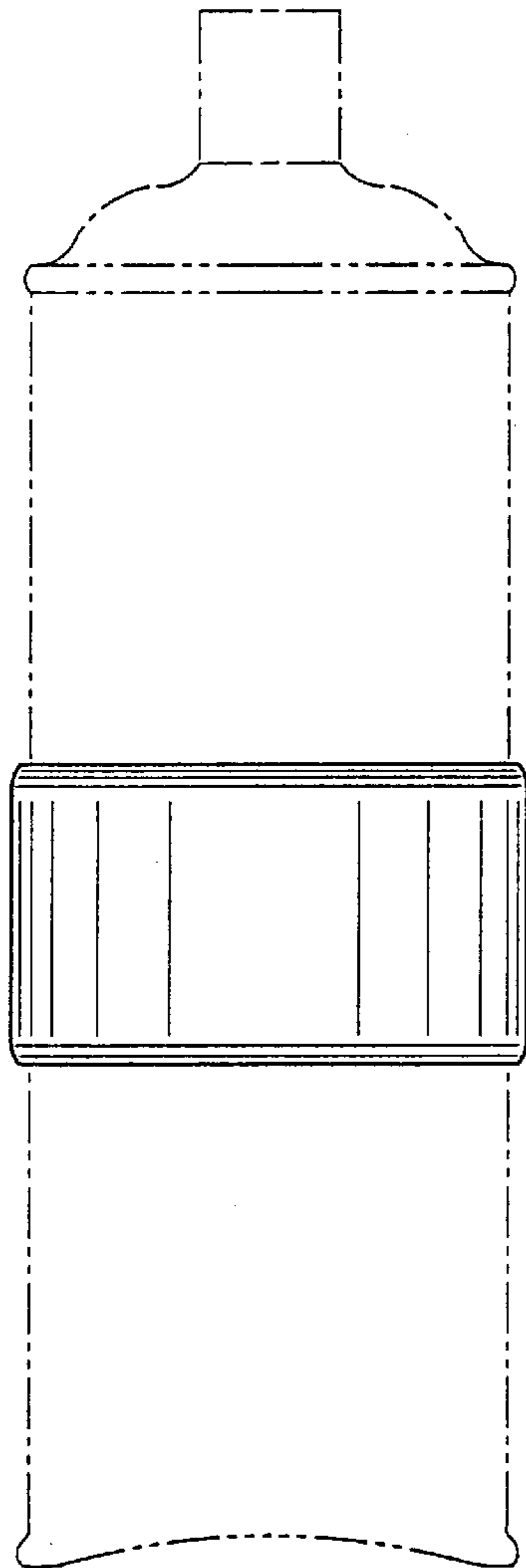


FIG. 1

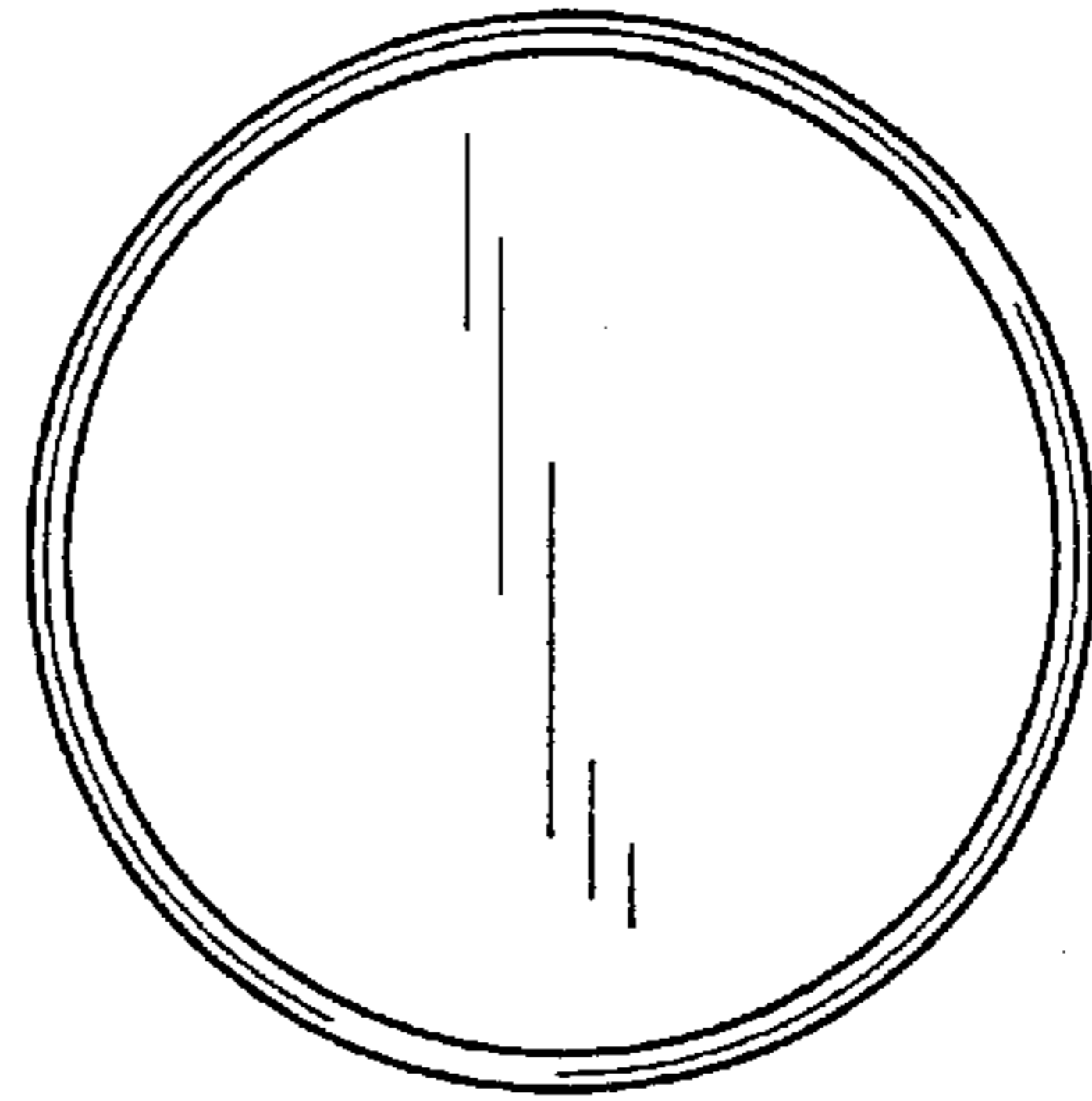


FIG. 2

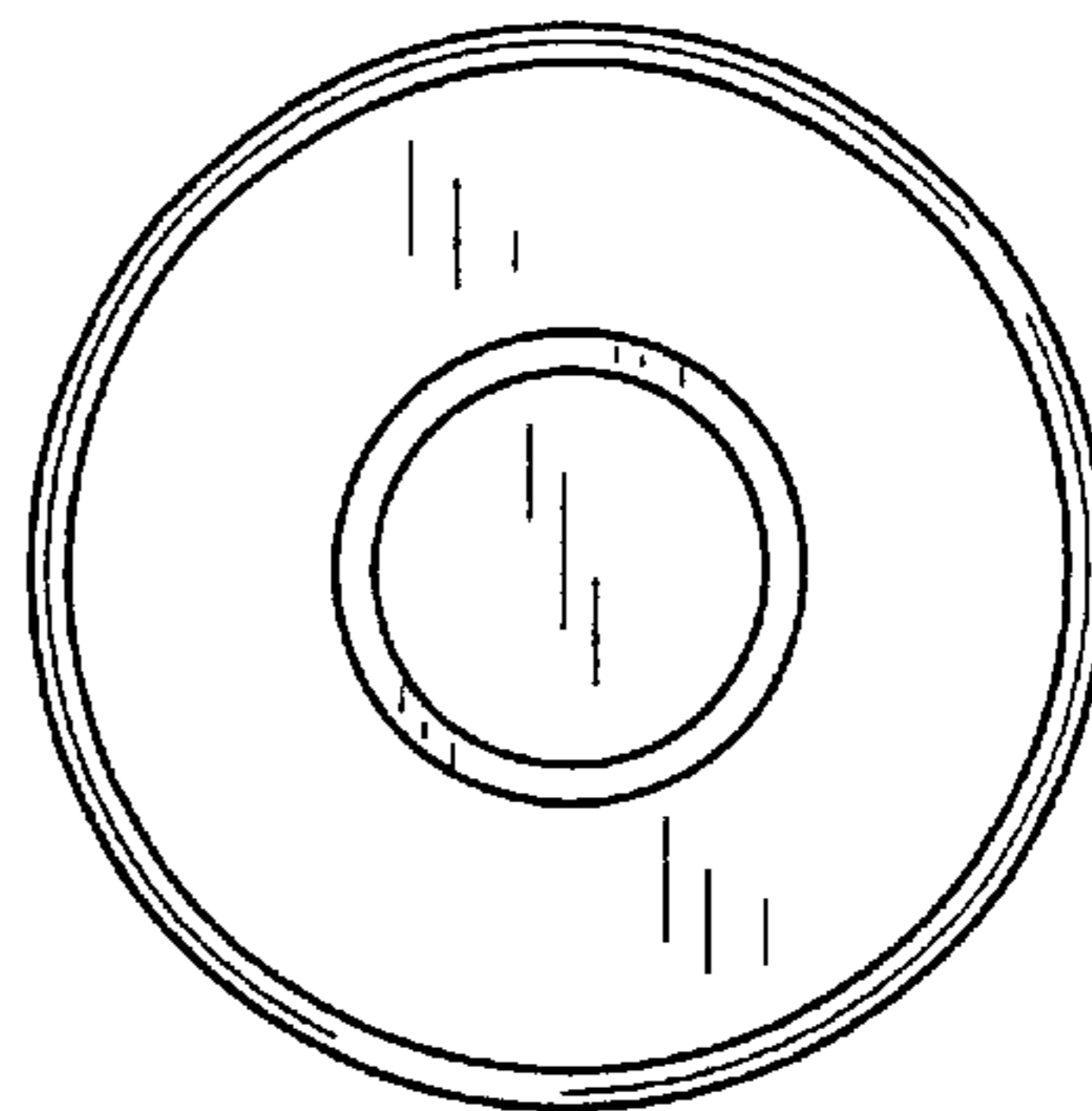


FIG. 3

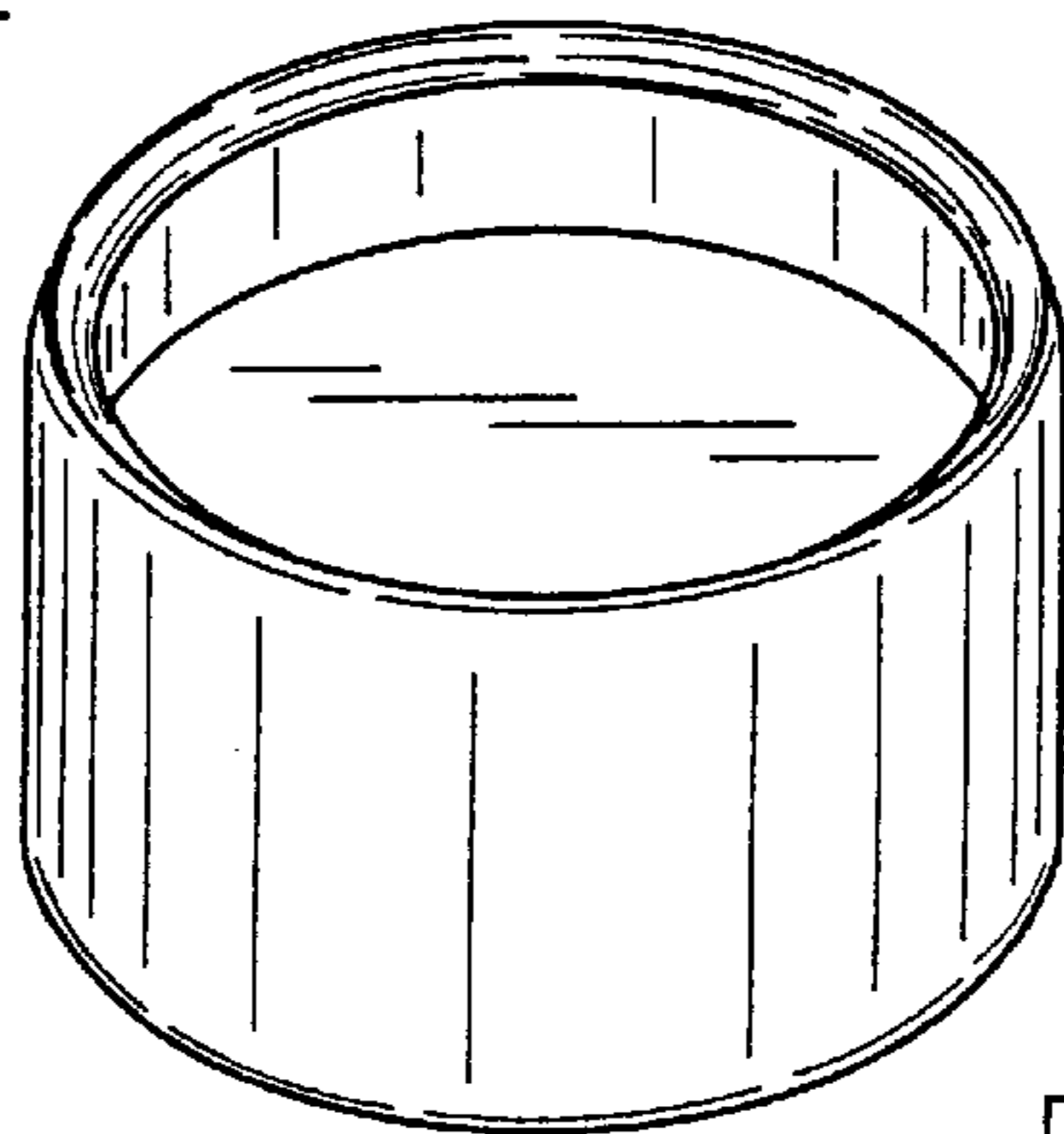


FIG. 4

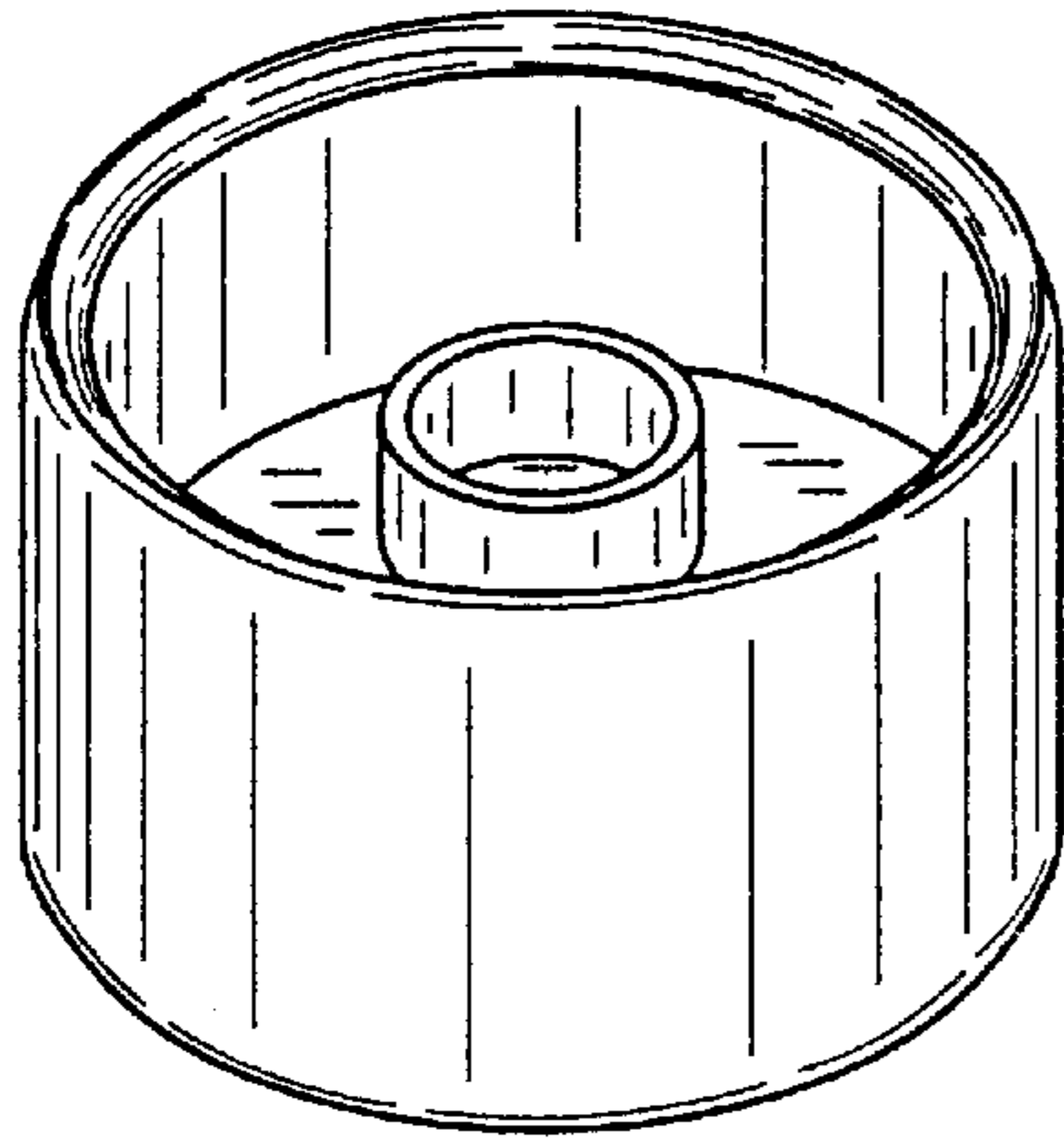


FIG. 5

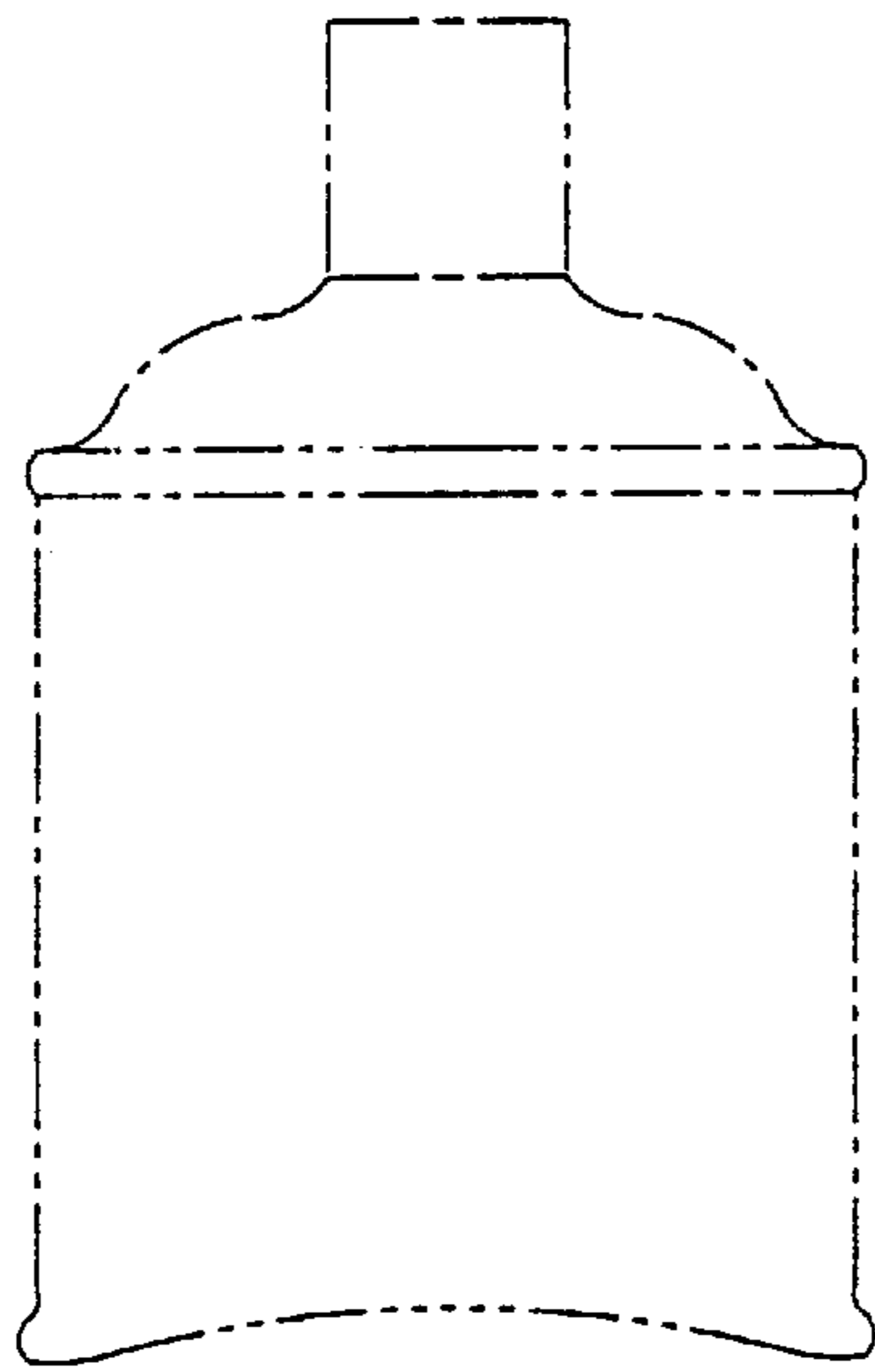


FIG. 7

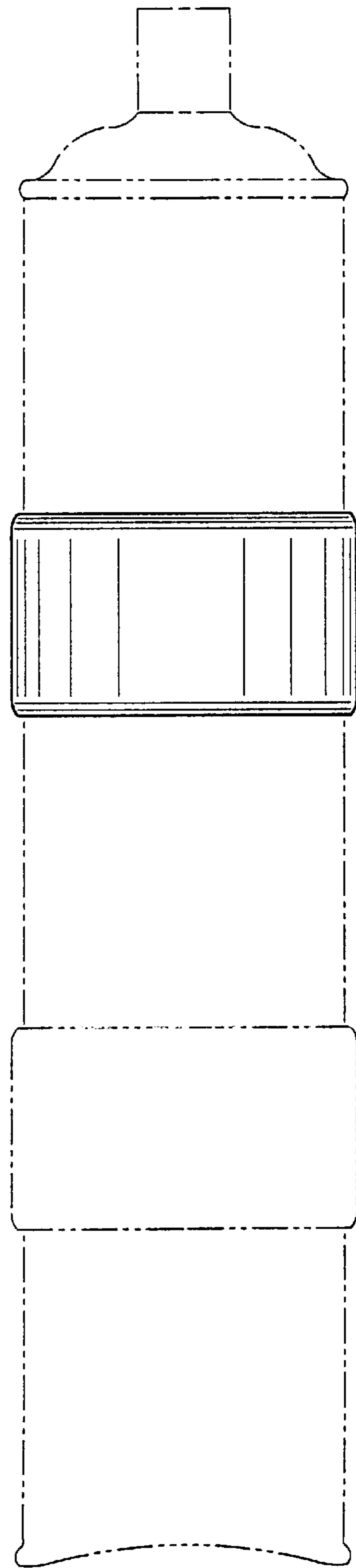


FIG. 6