



US00D480967S

(12) **United States Design Patent**
Lin et al.

(10) **Patent No.:** **US D480,967 S**

(45) **Date of Patent:** **** Oct. 21, 2003**

(54) **DISPENSING APPARATUS FOR A PACK FOR DRINK**

D319,190 S * 8/1991 Wilding D9/447
5,325,995 A * 7/1994 Harrison et al. 222/81
D407,642 S * 4/1999 Wirth D9/447

(75) Inventors: **Chien-Fu Lin**, Taichung (TW);
Chi-Yang Liao, Taichung (TW); **Gino Lu**, Taichung (TW)

* cited by examiner

(73) Assignee: **Chau Lih Rong Enterprise Co., Ltd.**,
Taichung (TW)

Primary Examiner—Louis S. Zarfaz

Assistant Examiner—Gregory Andoll

(74) *Attorney, Agent, or Firm*—Rosenberg, Klein & Lee

(**) Term: **14 Years**

(57) **CLAIM**

(21) Appl. No.: **29/170,325**

The ornamental design for dispensing apparatus for a pack for drink, as shown and described.

(22) Filed: **Nov. 5, 2002**

DESCRIPTION

(51) **LOC (7) Cl.** **09-07**

(52) **U.S. Cl.** **D9/447**

(58) **Field of Search** D9/435, 434, 447,
D9/453; D7/665; 222/80, 81, 82, 90, 526,
566–574

FIG. 1 is a perspective view of a dispensing apparatus for a pack for drink showing my new design;

FIG. 2 is a front elevational view thereof; the opposite side being a mirror image of the shown.

FIG. 3 is a left elevational view thereof;

FIG. 4 is a right elevational view thereof;

FIG. 5 is a top plan view thereof; and,

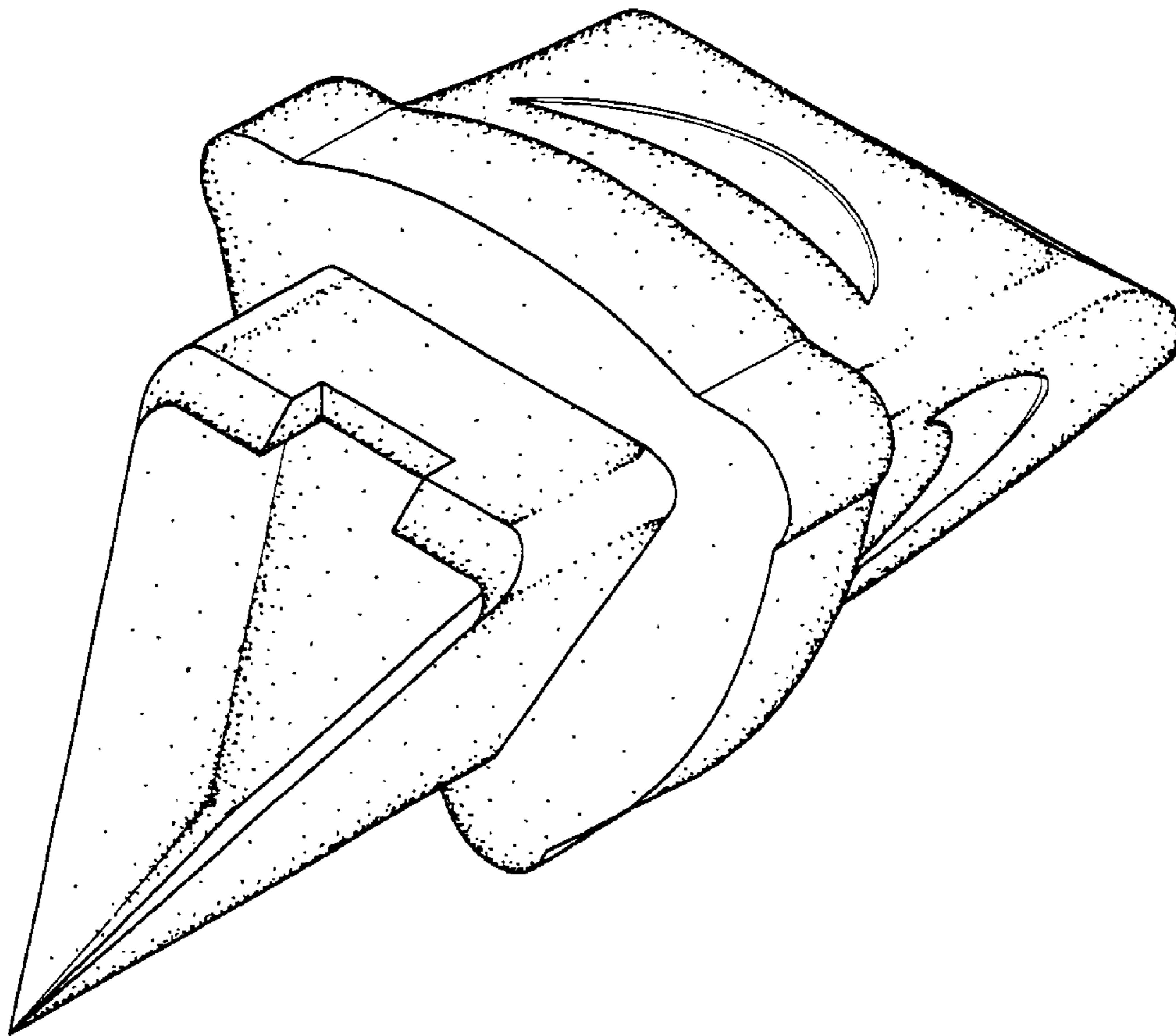
FIG. 6 is bottom plan view thereof.

(56) **References Cited**

U.S. PATENT DOCUMENTS

547,370 A * 10/1895 Chalefou 222/81

1 Claim, 2 Drawing Sheets



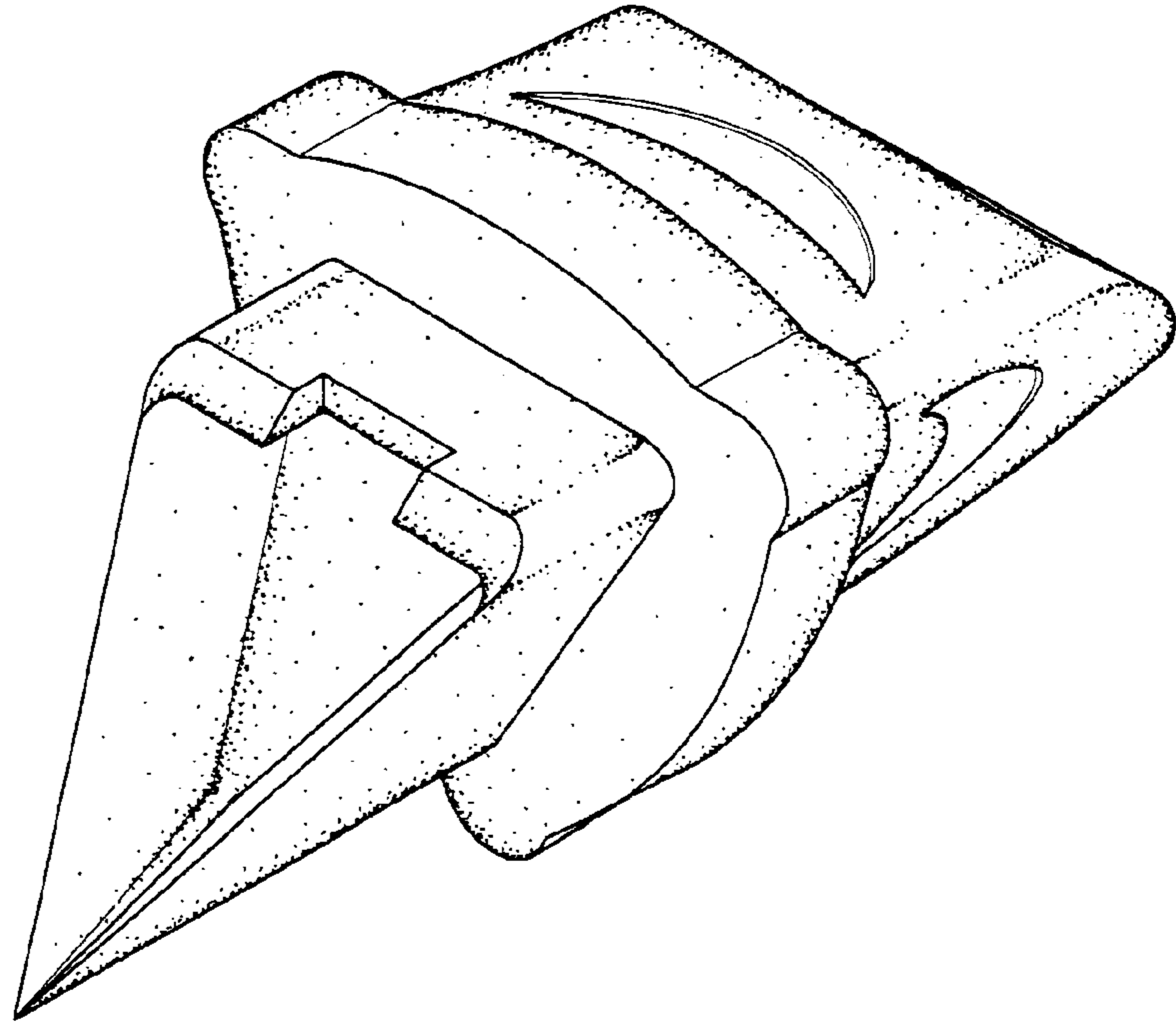


Fig. 1

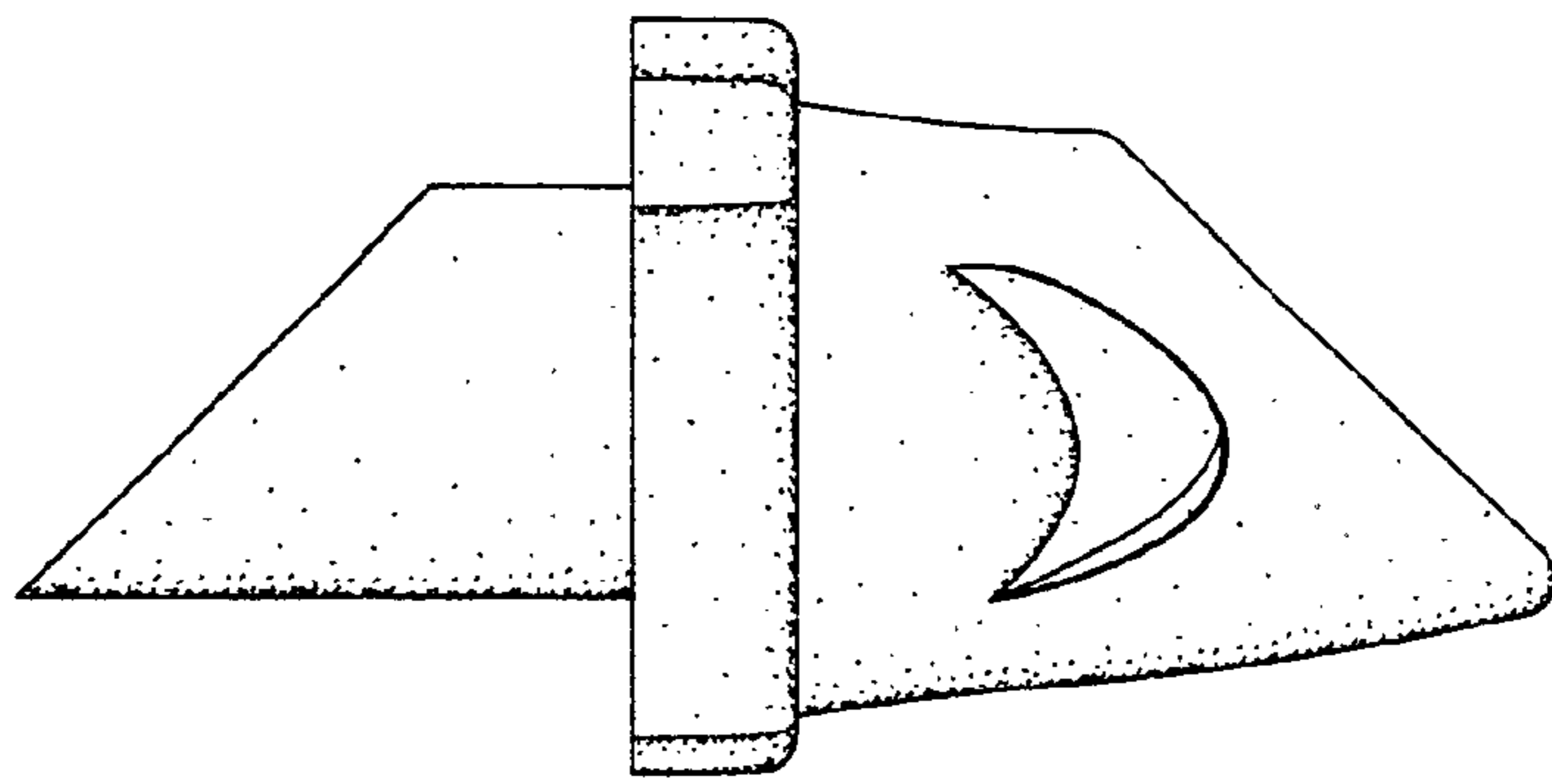


Fig. 2

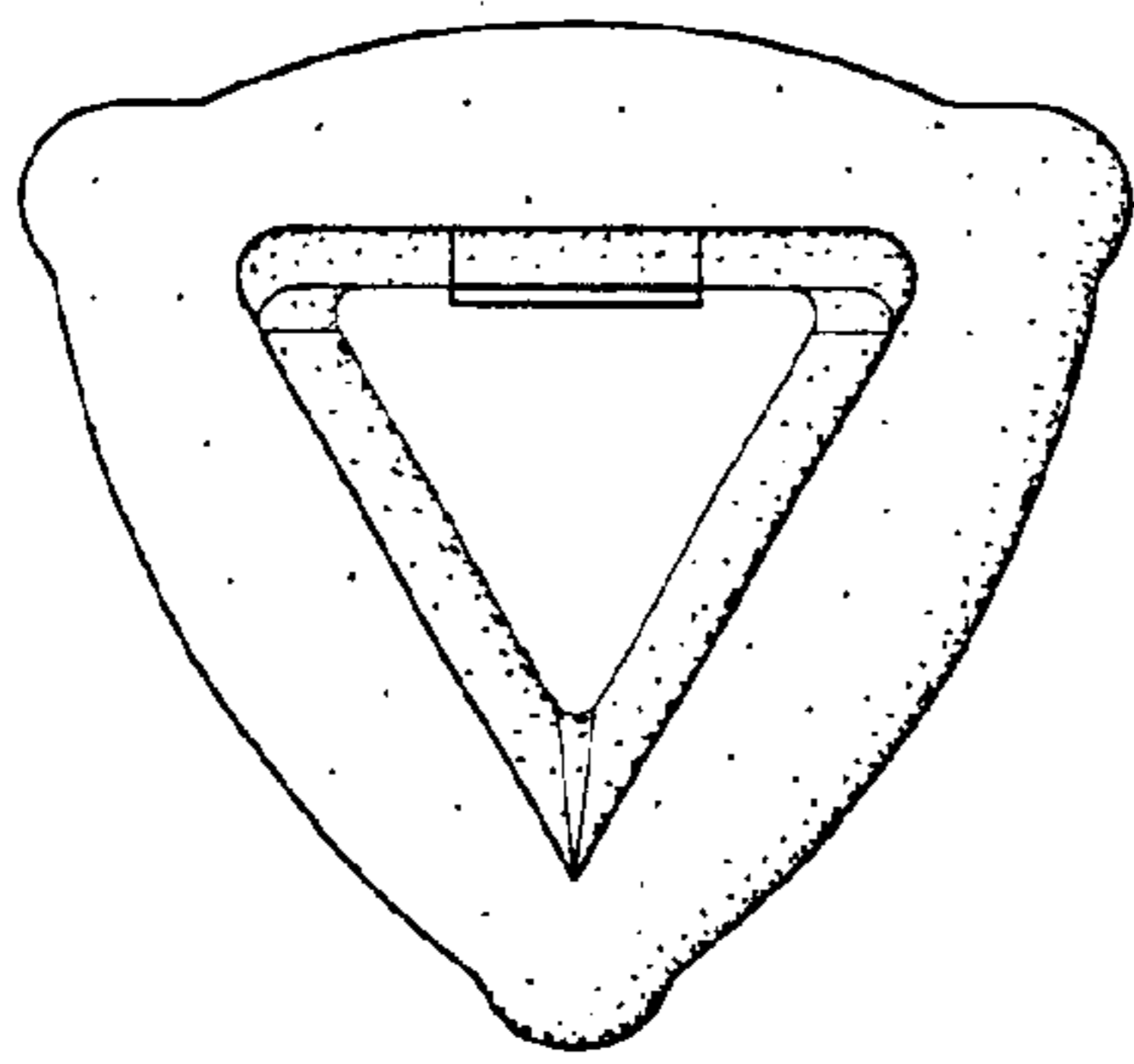


Fig. 3

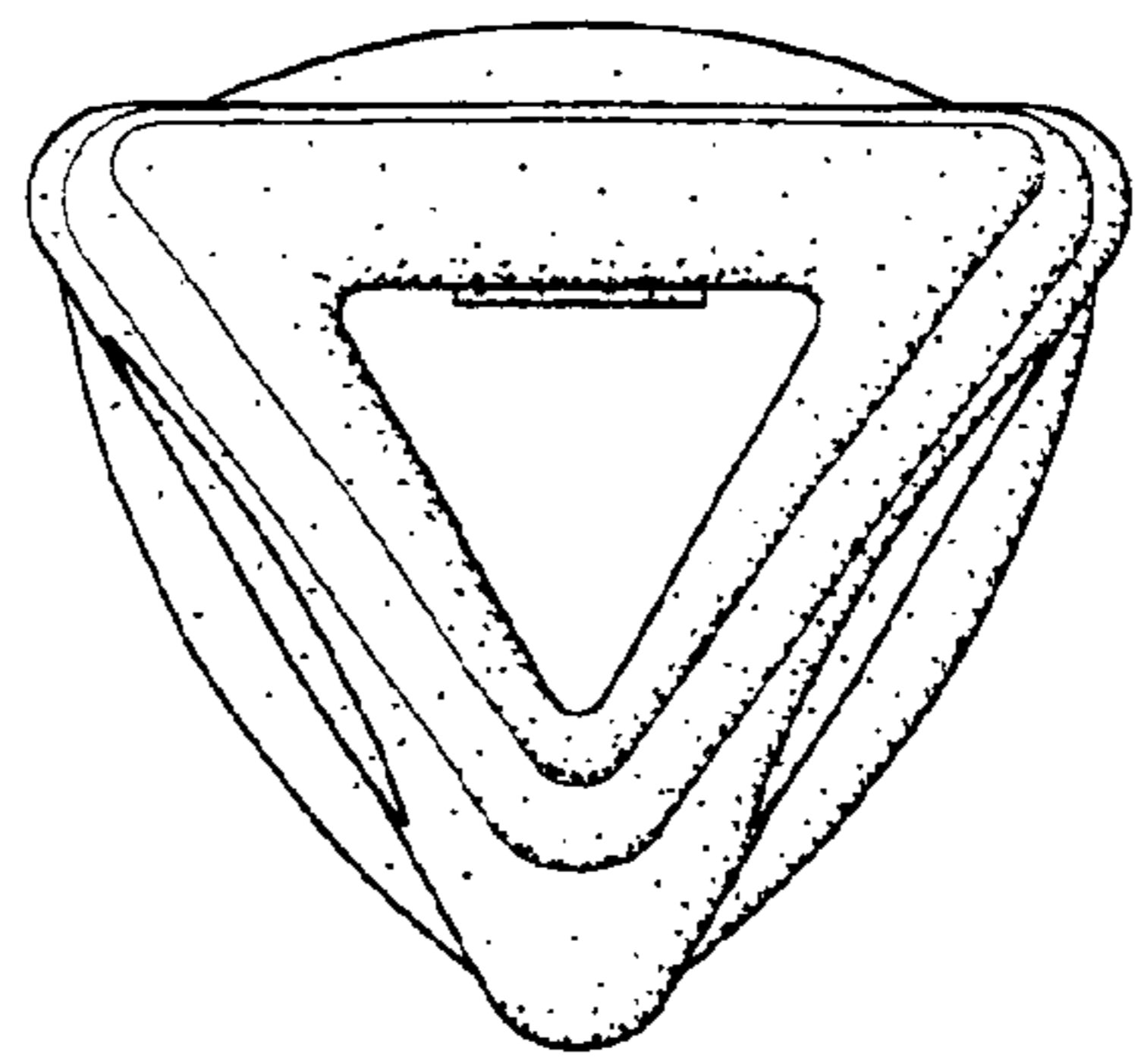


Fig. 4

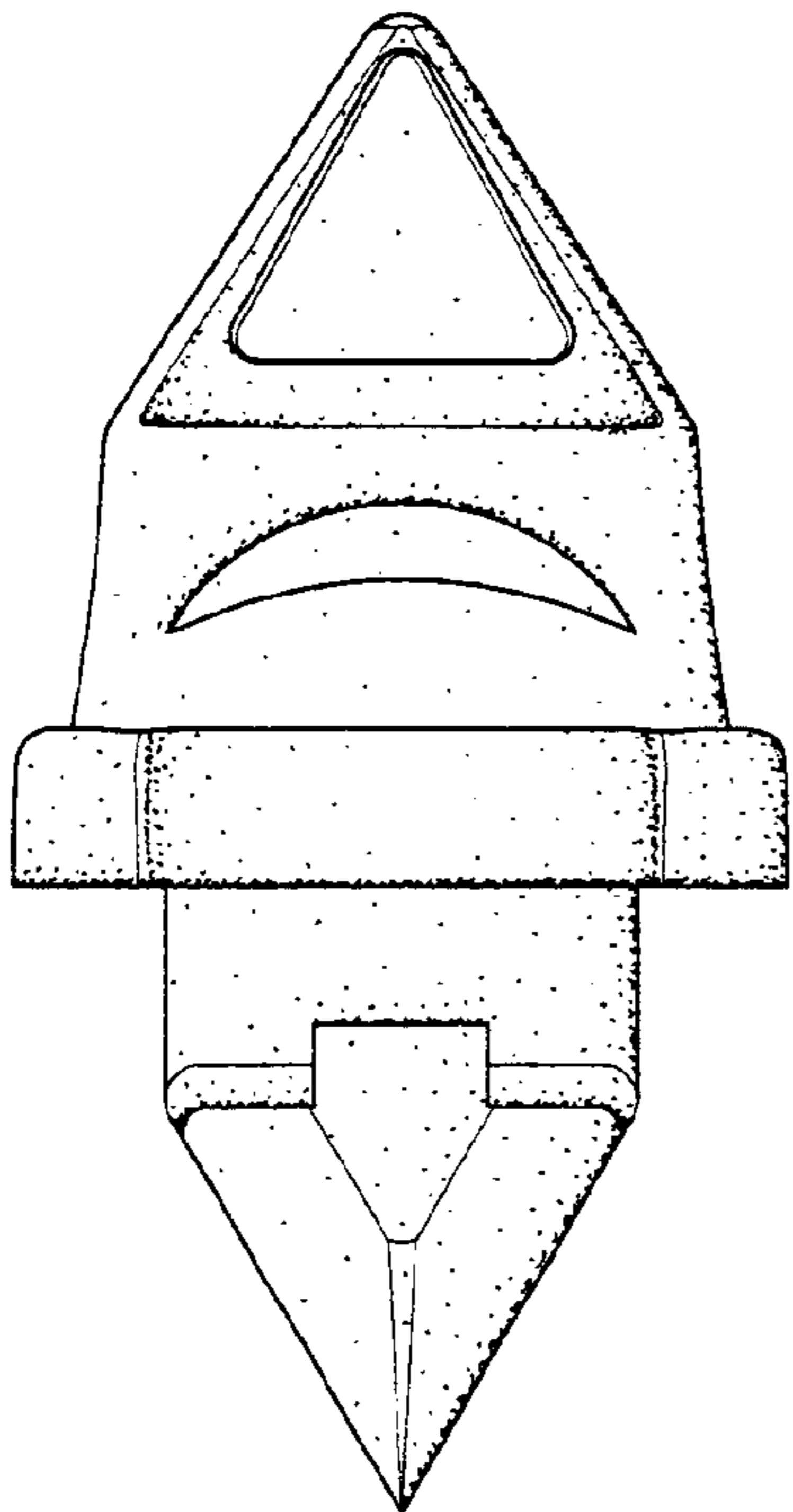


Fig. 5

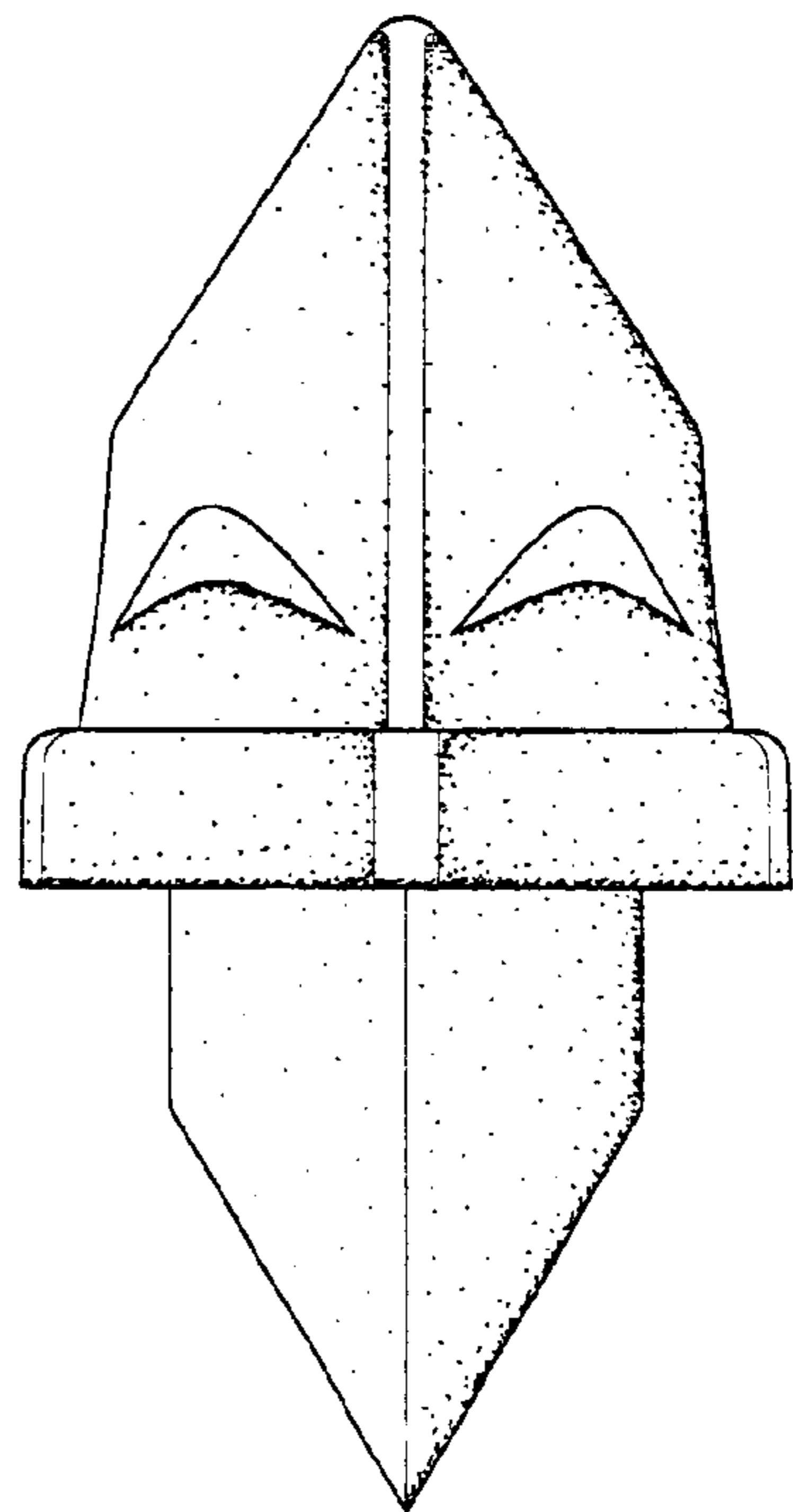


Fig. 6