



US00D480965S

(12) **United States Design Patent**  
**Stillerud**

(10) **Patent No.:** **US D480,965 S**

(45) **Date of Patent:** **\*\* Oct. 21, 2003**

(54) **PACKAGING**

(75) **Inventor:** **Lennart Stillerud, Lund (SE)**

(73) **Assignee:** **Tetra Laval Holdings & Finance S.A., Pully (CH)**

(\*\*) **Term:** **14 Years**

(21) **Appl. No.:** **29/151,080**

(22) **Filed:** **Dec. 5, 2001**

(30) **Foreign Application Priority Data**

Jun. 5, 2001 (SE) ..... 01-0978

(51) **LOC (7) Cl.** ..... **09-03**

(52) **U.S. Cl.** ..... **D9/417**

(58) **Field of Search** ..... D9/416, 417, 440, D9/447, 330-302; D7/312, 317, 321, 319; 229/106, 113, 114, 111, 103.1, 123.1, 117.24, 117.27, 215, 12.09-12.15, 125.42, 125.247, 213, 249, 125.17; 222/92, 105, 107, 110, 111, 526, 531, 544, 566, 541.5; 220/601, 613, 608, 666, 669

(56) **References Cited**

**U.S. PATENT DOCUMENTS**

2,555,315	A	*	6/1951	Carroll	.....	229/406
2,980,304	A	*	4/1961	Sisco	.....	222/566
3,259,297	A		7/1966	Kalajian		
3,924,796	A		12/1975	Rousing et al.		
3,933,297	A		1/1976	Carlsson et al.		
3,935,968	A		2/1976	Rausing		
4,078,715	A		3/1978	Larsson et al.		
4,232,048	A		11/1980	Palm et al.		
4,475,655	A		10/1984	Andersson et al.		
4,527,699	A	*	7/1985	Namba et al.	.....	220/613
4,564,139	A	*	1/1986	Reil	.....	229/106
4,604,850	A		8/1986	Reil		
4,630,733	A	*	12/1986	Fear	.....	229/106
4,718,598	A	*	1/1988	Pupp et al.	.....	229/111
D295,146	S		4/1988	Carree		
4,804,134	A		2/1989	Reil		
4,830,273	A		5/1989	Kalberer et al.		
D317,260	S		6/1991	Nylander		

D320,935	S		10/1991	Nylander		
D324,497	S	*	3/1992	Denton	.....	D9/416
D329,595	S		9/1992	Küng		
D331,362	S		12/1992	Andersson et al.		

(List continued on next page.)

**FOREIGN PATENT DOCUMENTS**

SE		49 059	10/1990
SE		63 935	3/1999
SE		68 337	12/2001
SE		01 0978	1/2003

*Primary Examiner*—Prabhakar Deshmukh

(74) *Attorney, Agent, or Firm*—Burns, Doane, Swecker & Mathis, L.L.P.

(57) **CLAIM**

The ornamental design for a packaging, as shown and described.

**DESCRIPTION**

FIG. 1 is a side, top perspective view of a packaging showing my new design.

FIG. 2 is a top plan view thereof.

FIG. 3 is a left side elevational view thereof.

FIG. 4 is a rear elevational view thereof.

FIG. 5 is a front elevational view thereof.

FIG. 6 is a right side elevational view thereof.

FIG. 7 is a bottom plan view thereof.

FIG. 8 is a side, bottom perspective view thereof.

FIG. 9 is a side, top perspective view of the packaging shown in FIG. 1, with the cap removed, according to a first embodiment of the present invention.

FIG. 10 is a top plan view thereof.

FIG. 11 is a left side elevational view thereof.

FIG. 12 is a rear elevational view thereof.

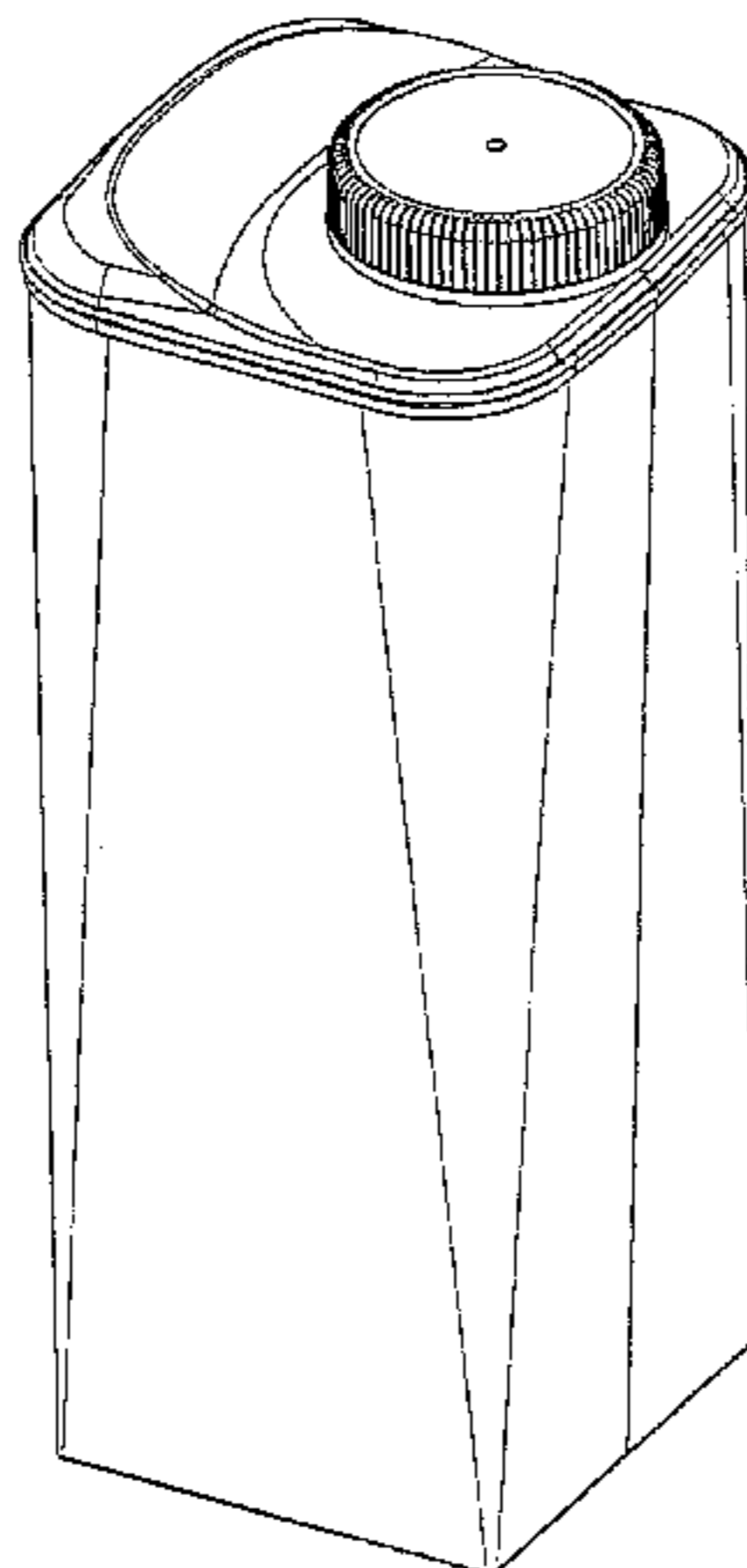
FIG. 13 is a front elevational view thereof.

FIG. 14 is a right side elevational view thereof.

FIG. 15 is a bottom plan view thereof; and,

FIG. 16 is a bottom, side perspective view thereof.

**1 Claim, 16 Drawing Sheets**



# US D480,965 S

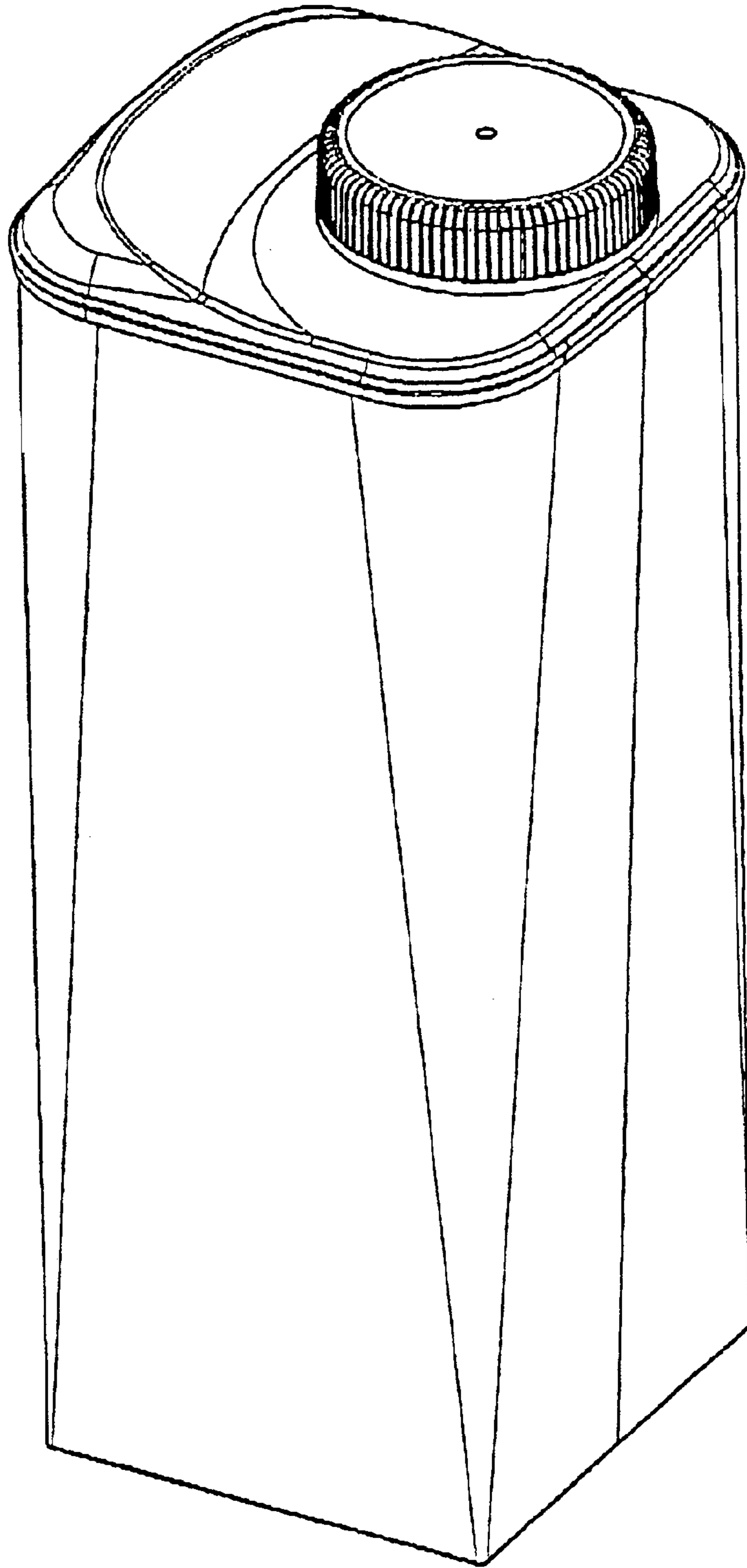
Page 2

---

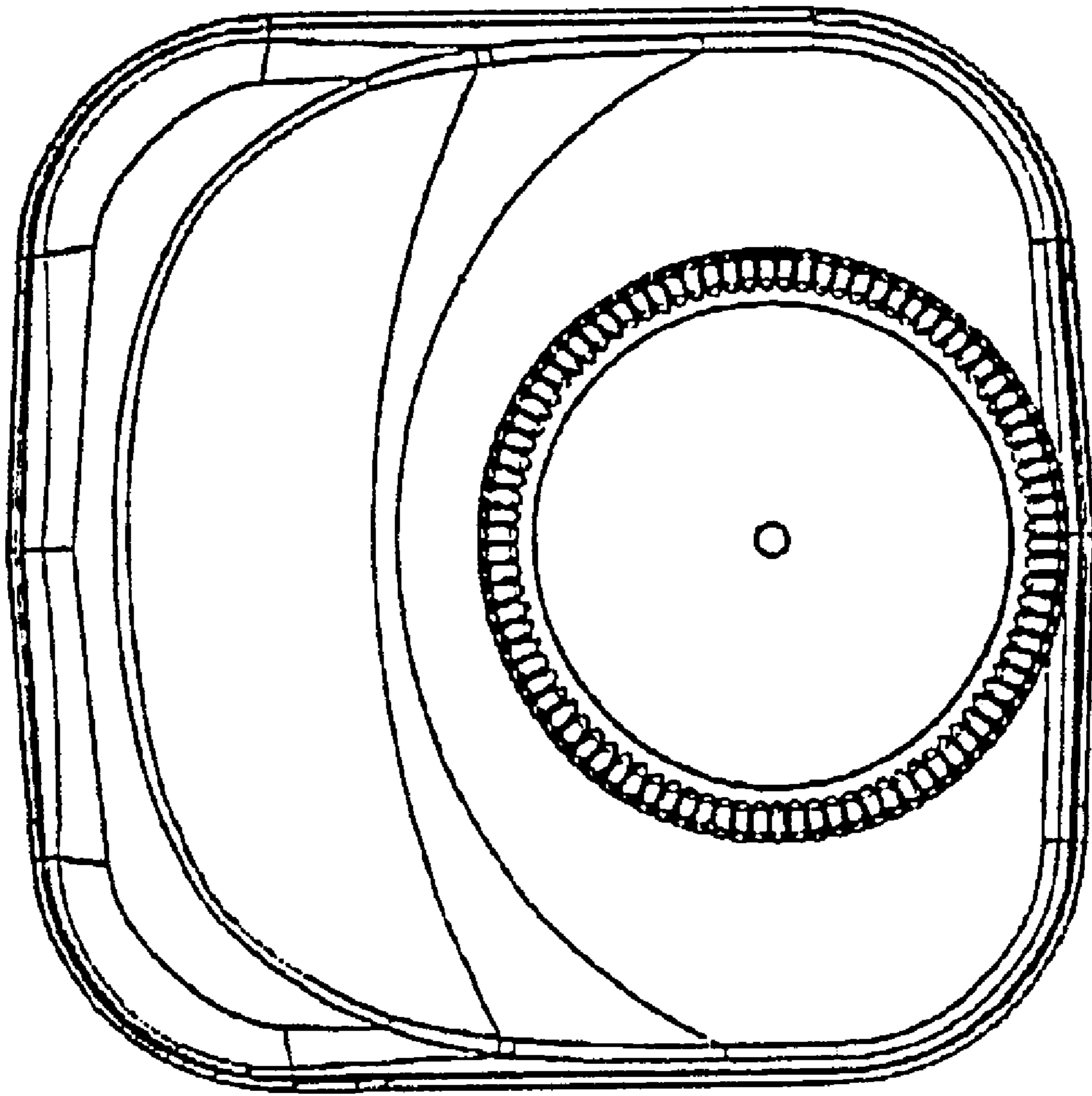
## U.S. PATENT DOCUMENTS

D333,785 S	3/1993	Ohlsson et al.	5,537,803 A	7/1996	Olsén	
5,248,054 A	9/1993	Berggren et al.	5,704,541 A	1/1998	Mogard	
5,255,813 A	10/1993	Berggren et al.	D395,204 S *	6/1998	Wood .....	D9/615
5,358,175 A *	10/1994	Cai .....	D397,292 S	8/1998	Tabaroni et al.	
		229/117.24	D436,033 S *	1/2001	Croft et al. ....	D9/416
5,372,300 A	12/1994	Nedstedt	D447,940 S *	9/2001	Quensel et al. ....	D9/417
D357,179 S	4/1995	Nedstedt	D454,492 S *	3/2002	Dammers .....	D9/417
5,498,225 A	3/1996	Nedstedt				
5,531,375 A	7/1996	Palm				

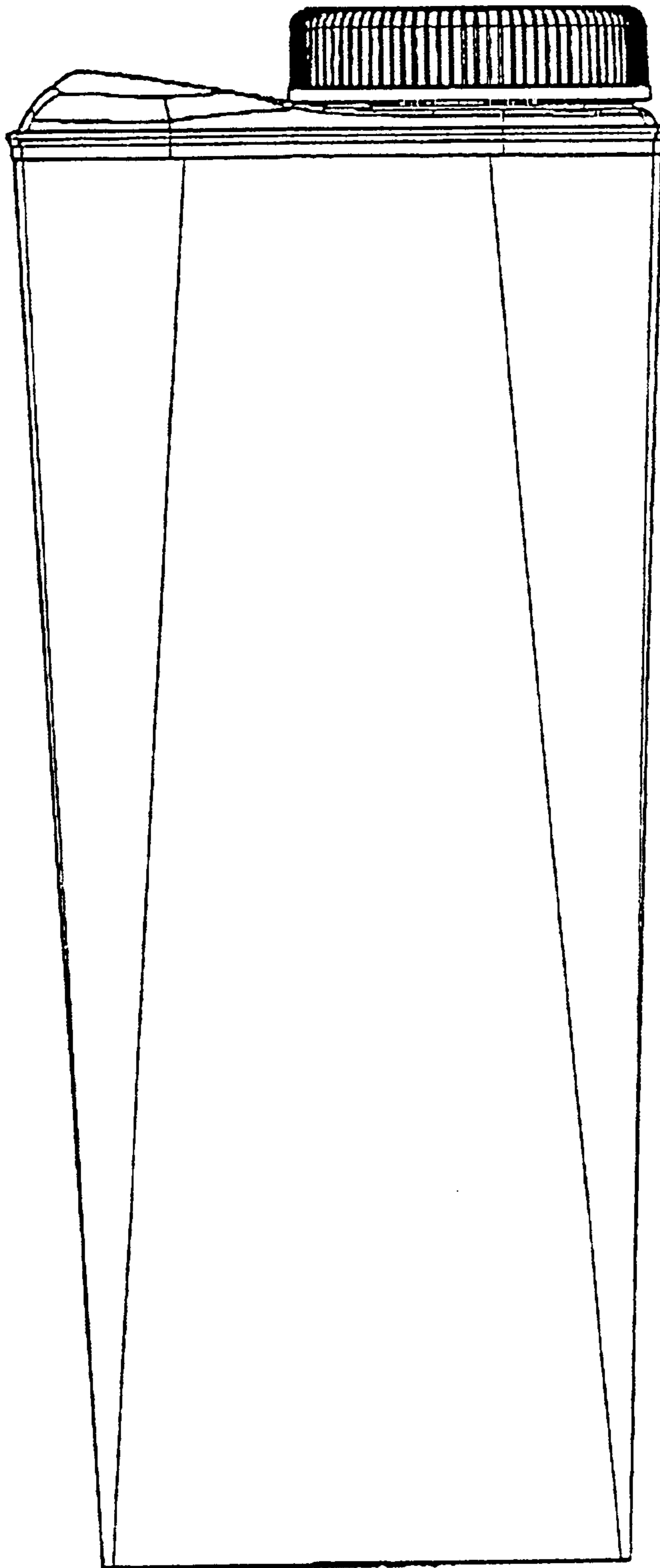
\* cited by examiner



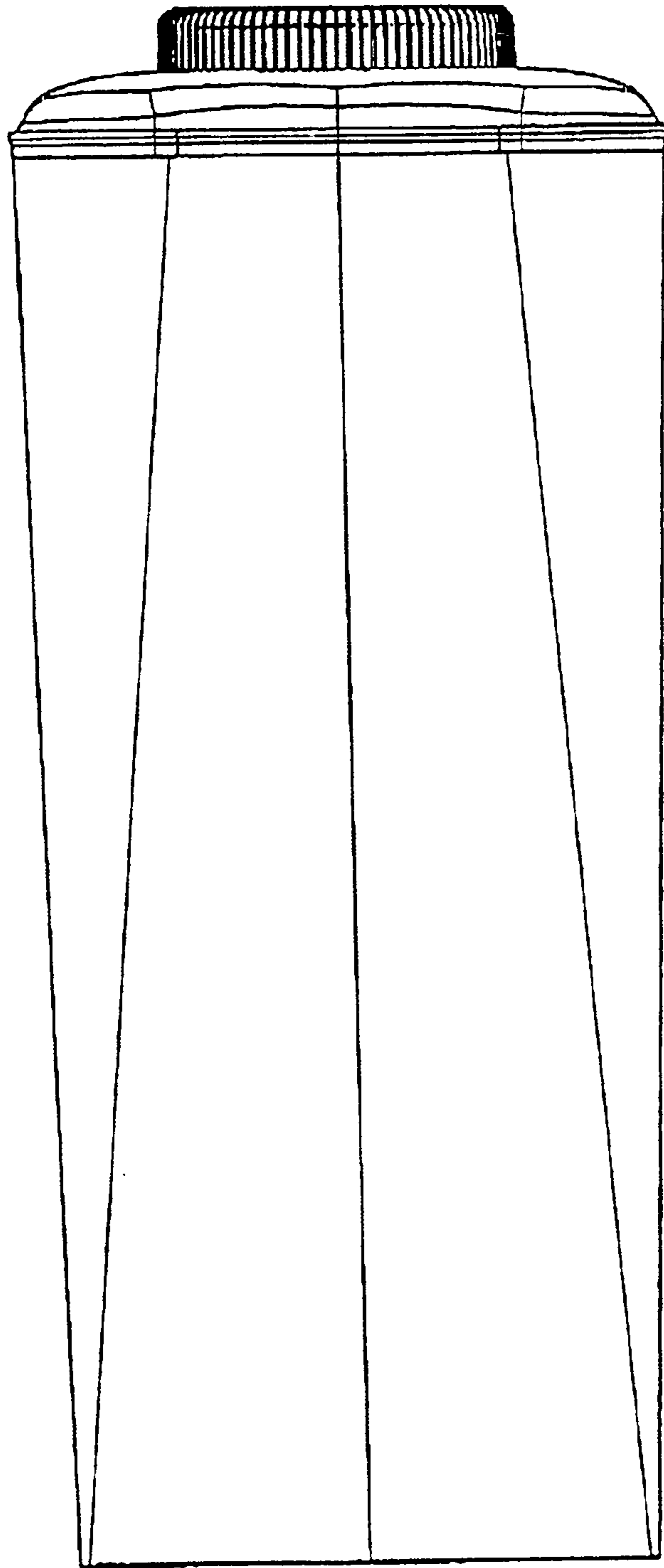
***FIG. 1***



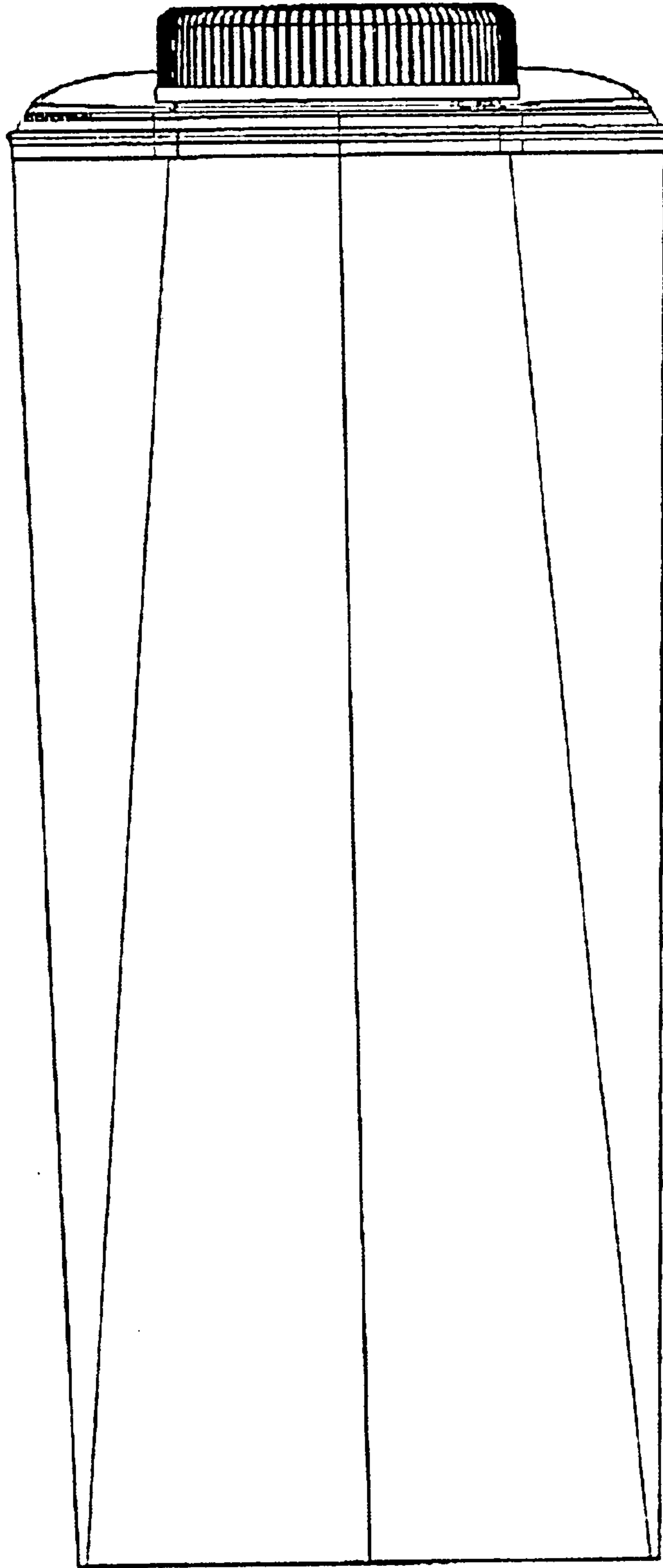
**FIG. 2**



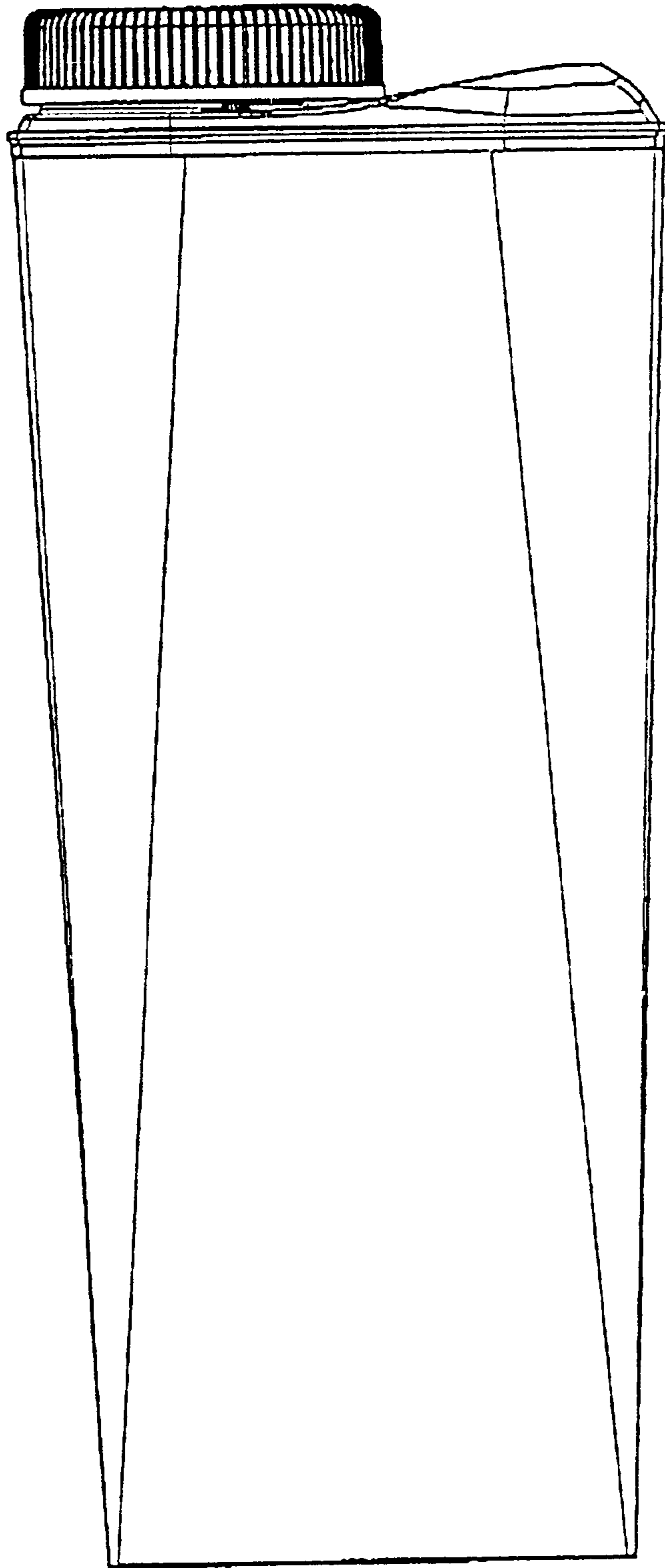
***FIG. 3***



**FIG. 4**

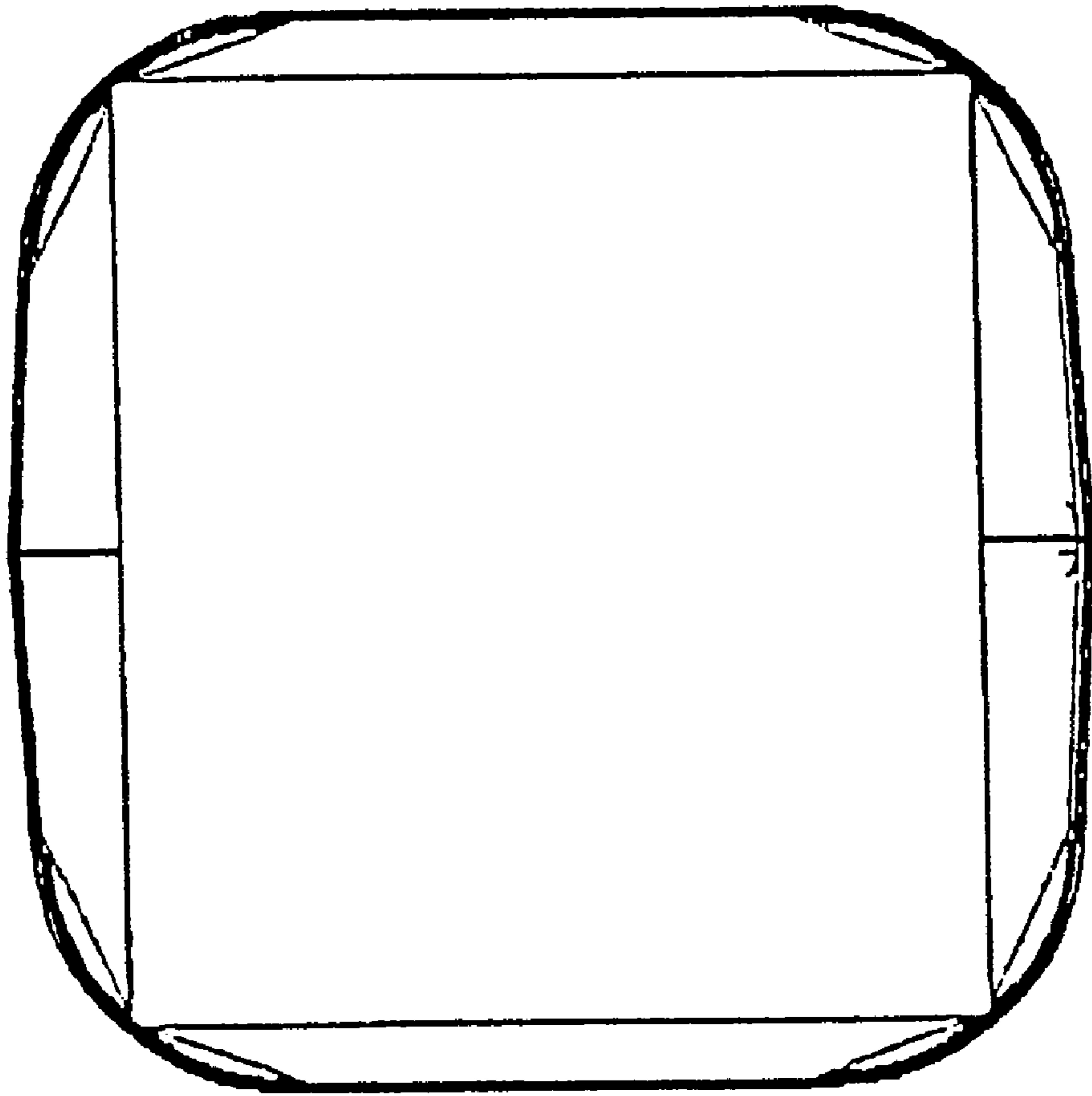


***FIG. 5***

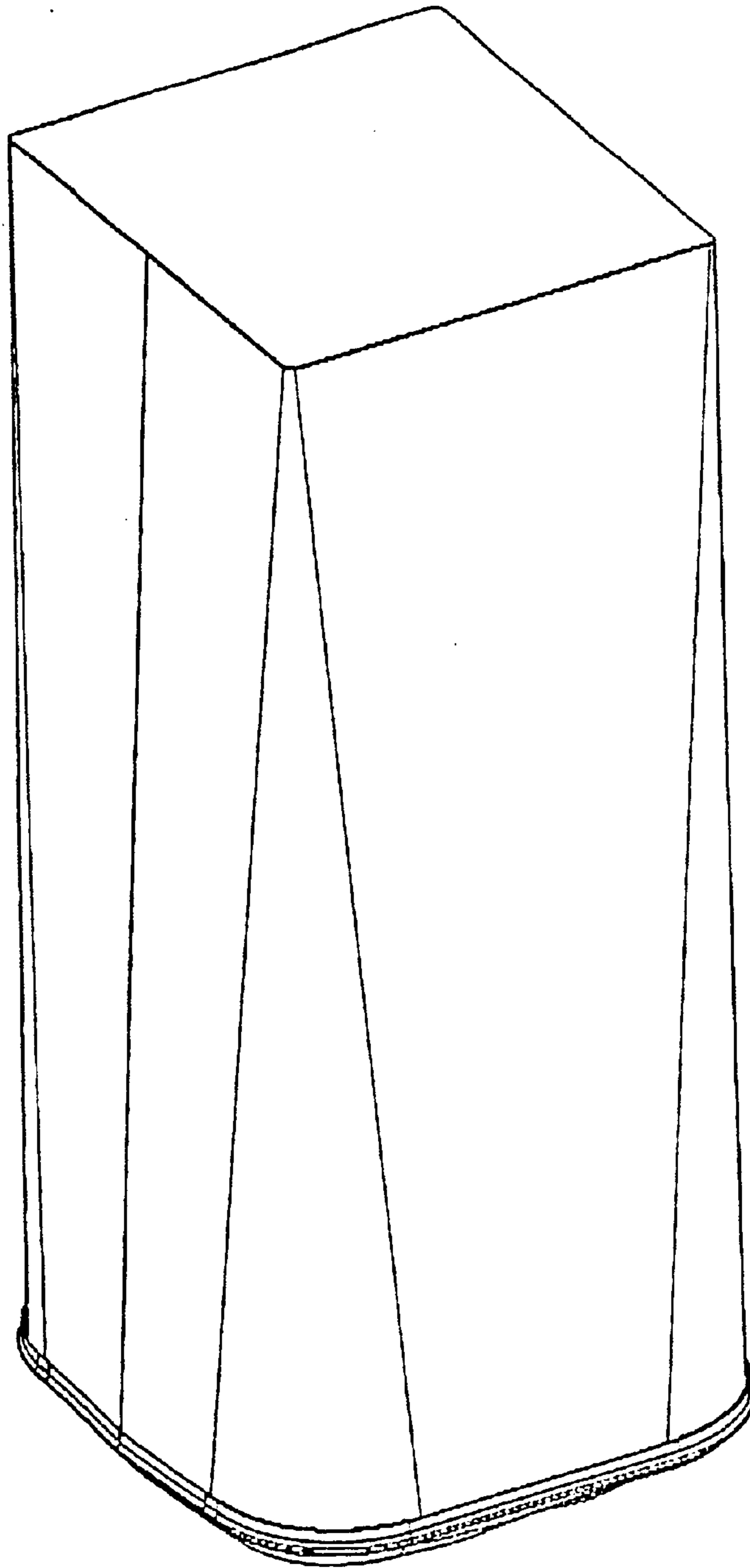


***FIG. 6***

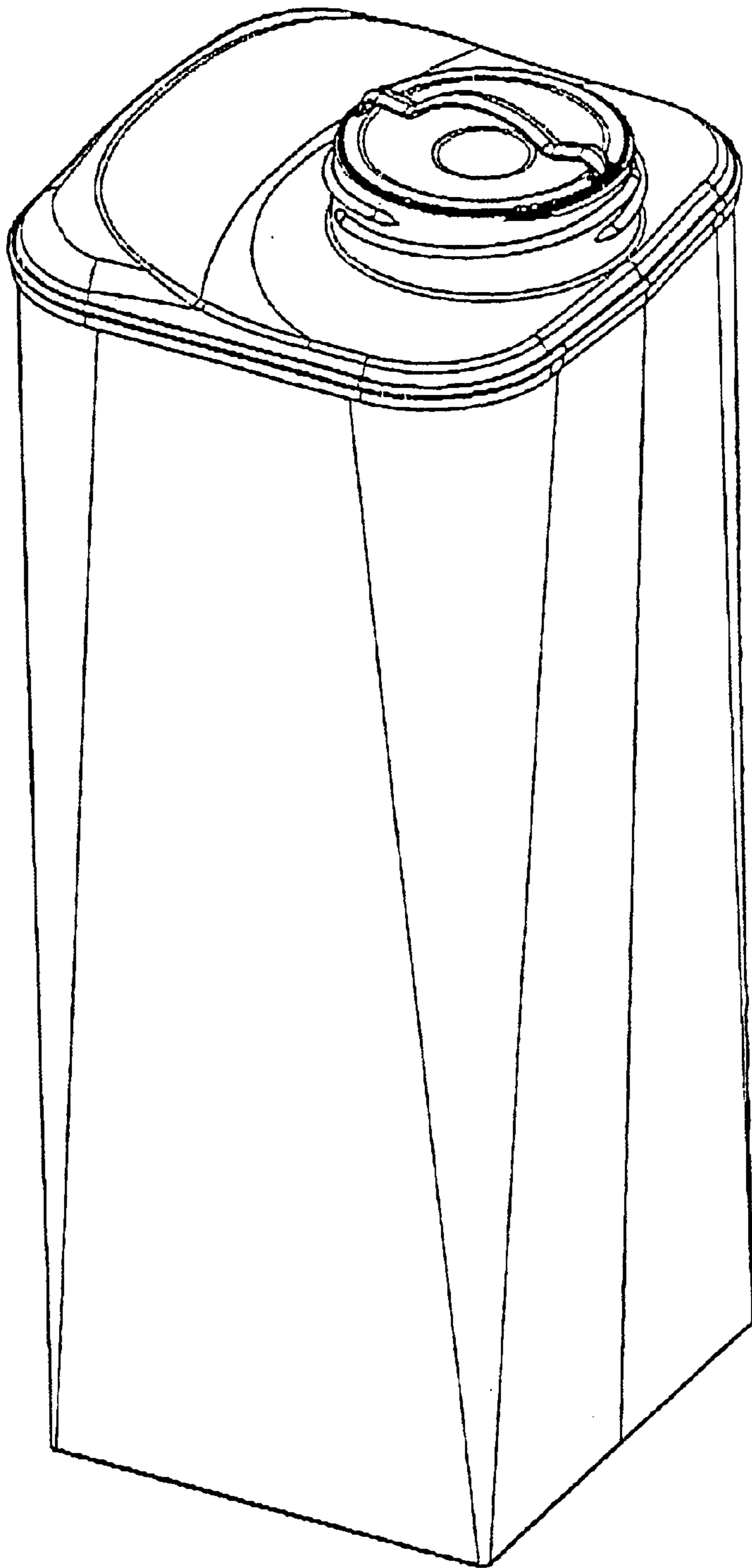




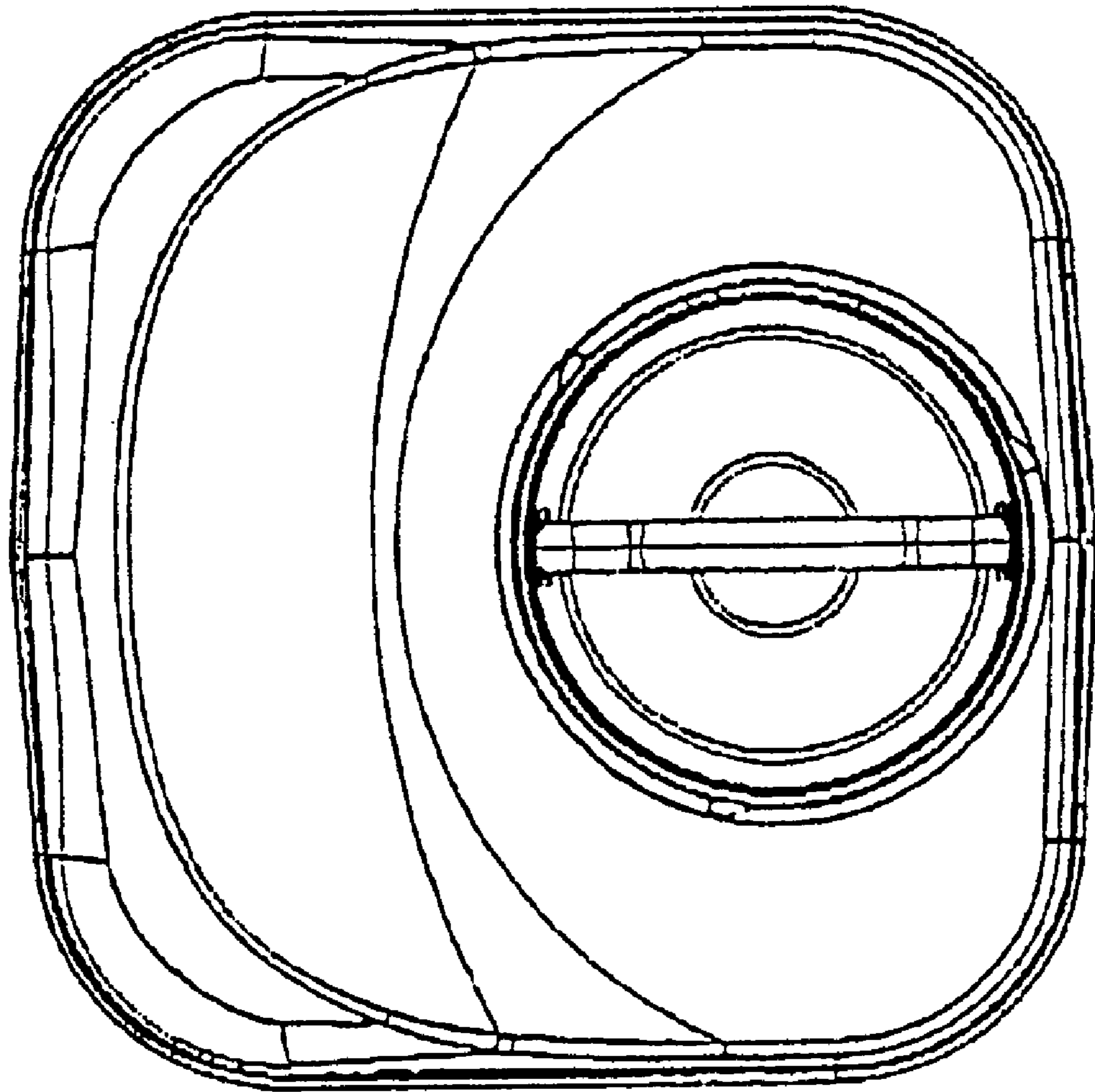
***FIG. 7***



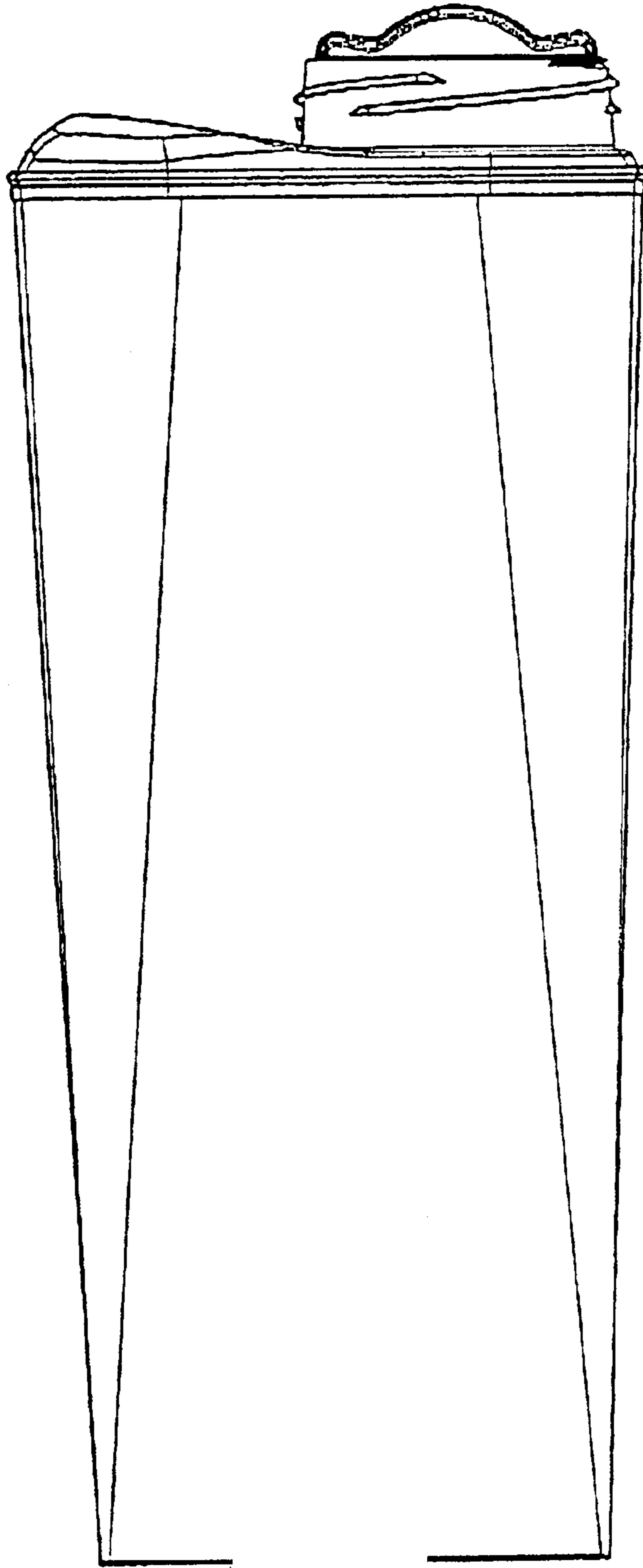
***FIG. 8***



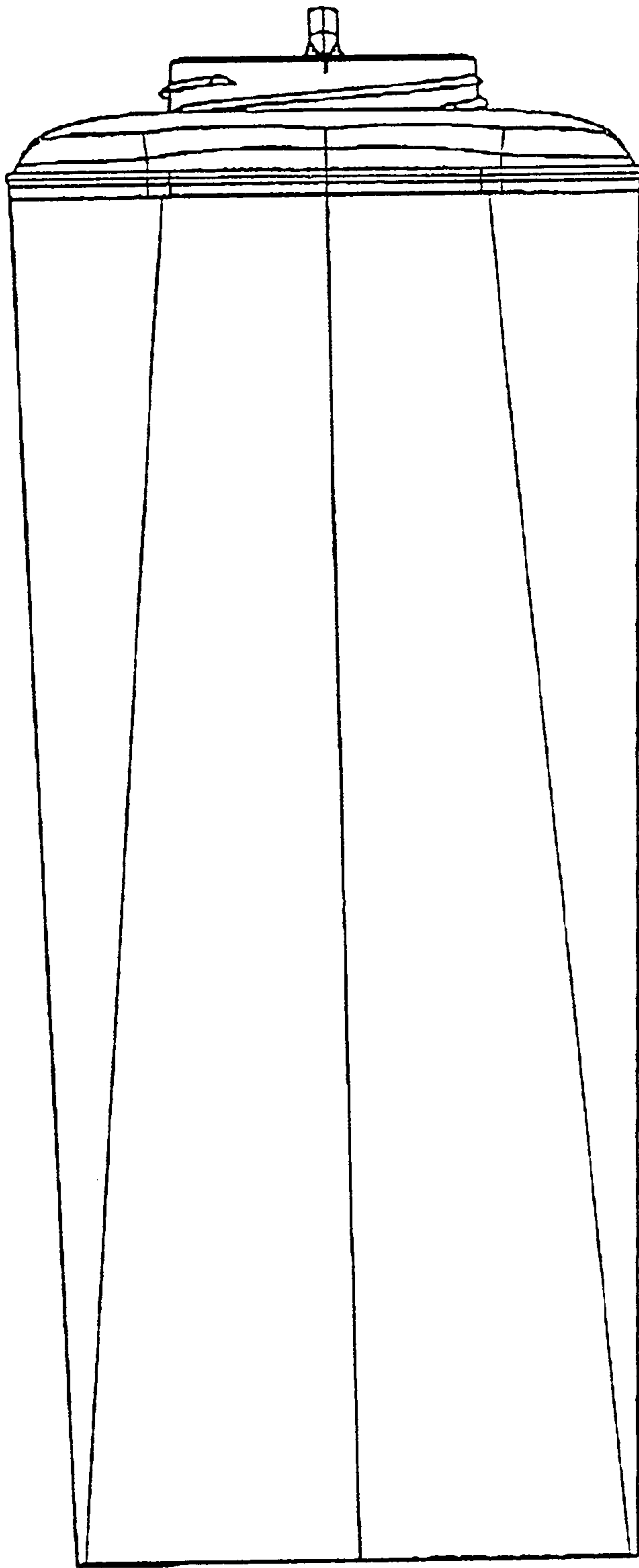
**FIG. 9**



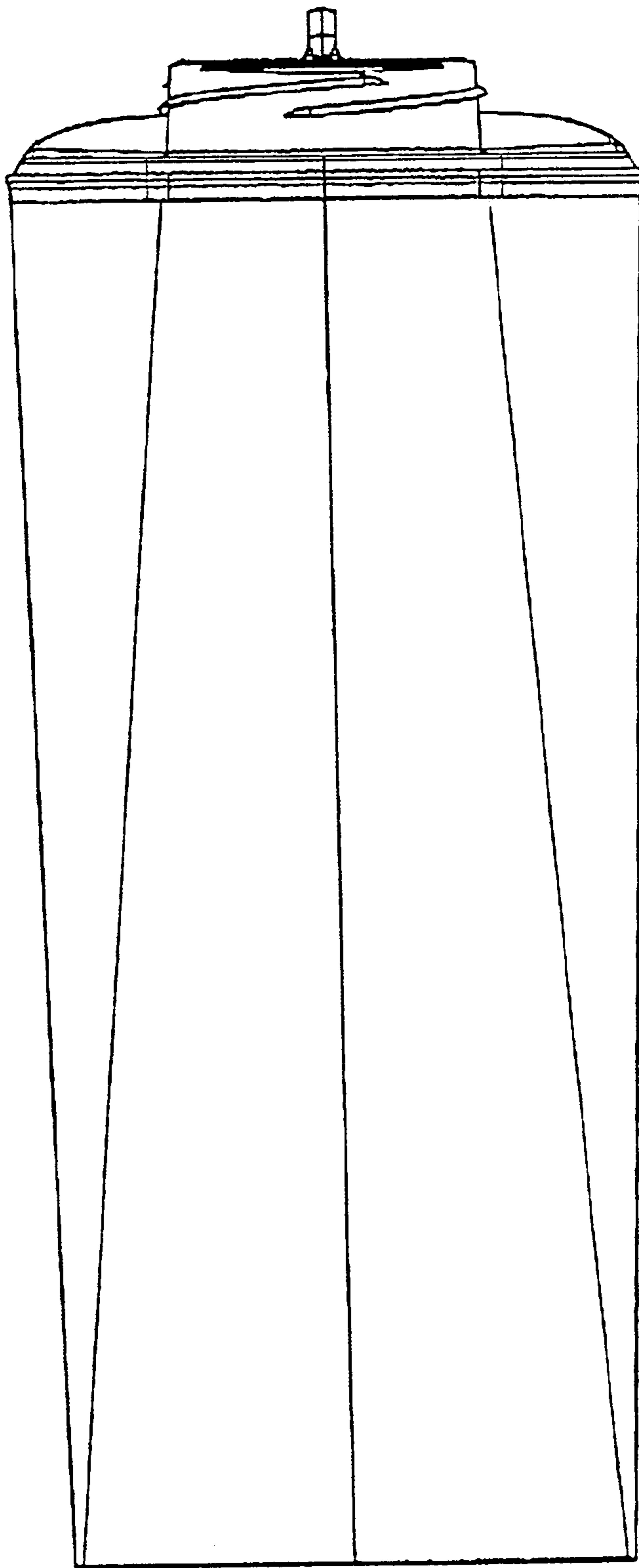
***FIG. 10***



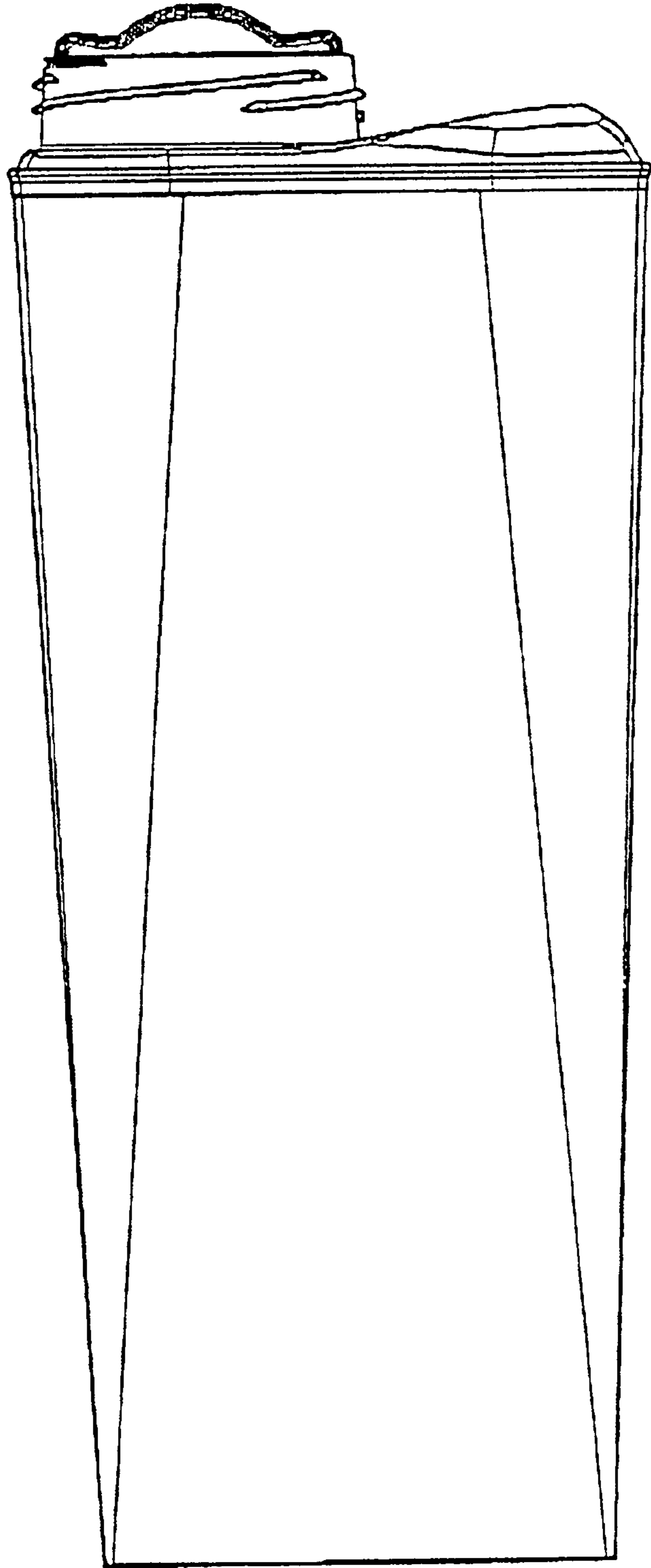
***FIG. 11***



***FIG. 12***

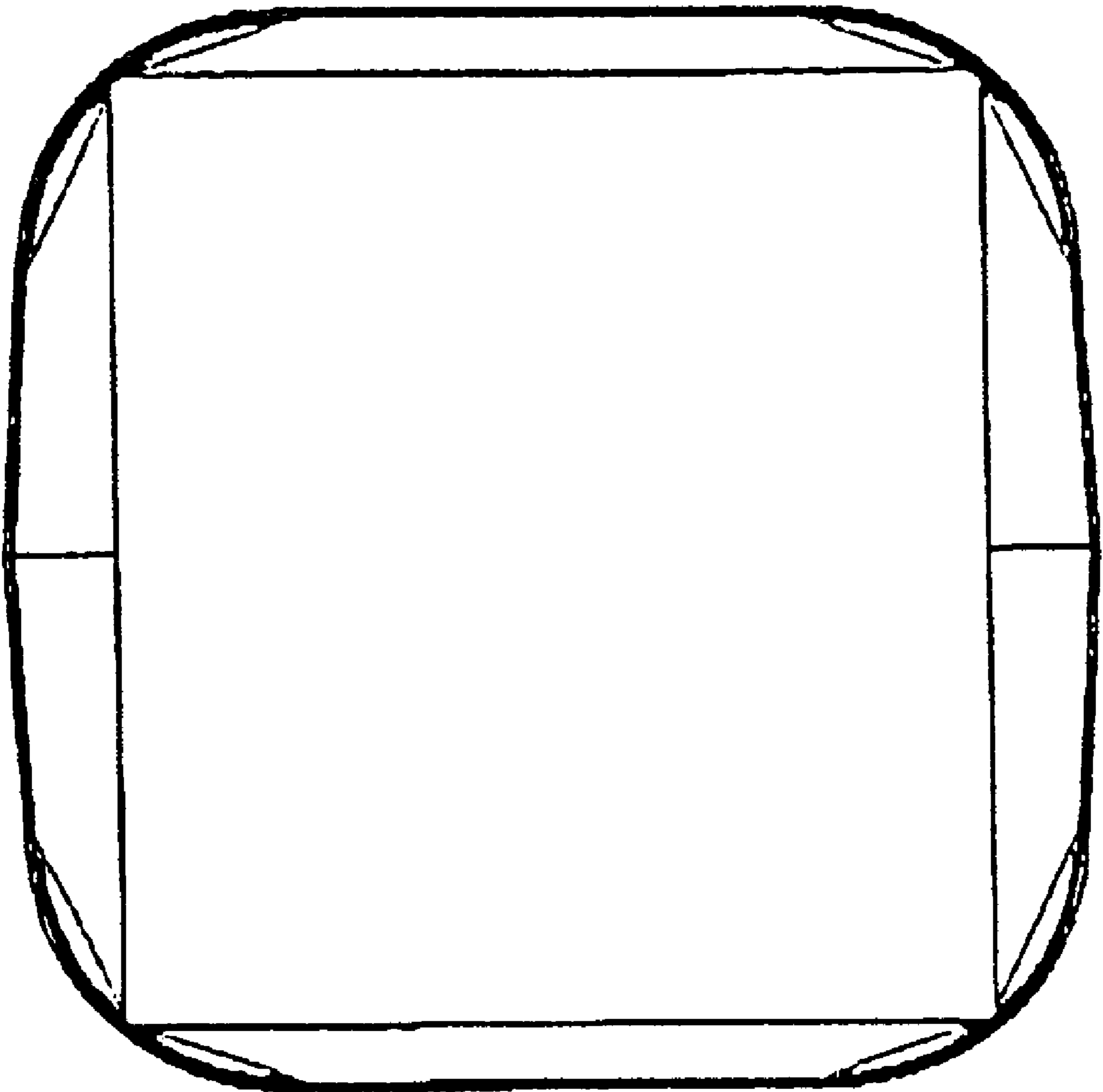


***FIG. 13***

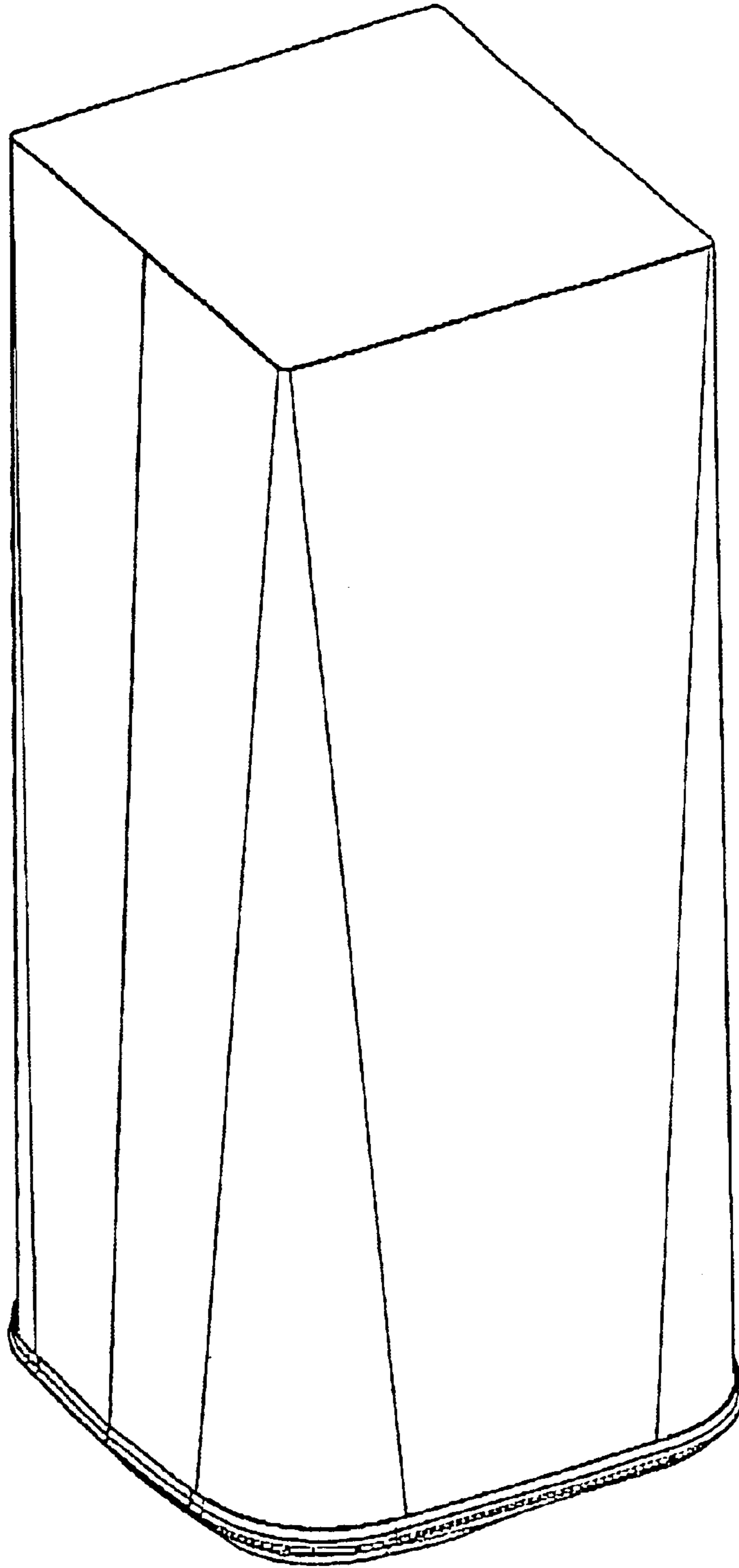


***FIG. 14***





***FIG. 15***



***FIG. 16***