



US00D480963S

(12) **United States Design Patent** (10) **Patent No.:** **US D480,963 S**  
**Lee** (45) **Date of Patent:** **\*\* Oct. 21, 2003**

(54) **9 VOLT MULTI-POWER CELL DISPLAY PACKAGE**

(75) Inventor: **Kendrew Lee**, Fremont, CA (US)

(73) Assignee: **Monster, LLC**, Las Vegas, NV (US)

(\*\*) Term: **14 Years**

(21) Appl. No.: **29/172,537**

(22) Filed: **Dec. 13, 2002**

(51) **LOC (7) Cl.** ..... **09-03**

(52) **U.S. Cl.** ..... **D9/415; D9/341; D9/346**

(58) **Field of Search** ..... D9/415, 418, 414,  
D9/346; 206/461-471, 806, 703, 704-708,  
702; 224/902

(56) **References Cited**

**U.S. PATENT DOCUMENTS**

D302,662 S	*	8/1989	Calcerano et al. ....	D9/415
4,896,770 A	*	1/1990	Cacerano et al. ....	206/461
5,379,894 A	*	1/1995	Hass et al. ....	206/705
5,429,233 A	*	7/1995	Juaristi .....	206/461
5,735,404 A	*	4/1998	Kumakura et al. ....	206/469
D414,411 S	*	9/1999	Gaffney et al. ....	D9/415
D427,523 S	*	7/2000	Calcerano .....	D9/415
D432,009 S	*	10/2000	Pirro et al. ....	D9/415
D447,051 S	*	8/2001	Humphrey .....	D9/415
D449,780 S	*	10/2001	Corella .....	D9/415

\* cited by examiner

*Primary Examiner*—Prabhakar Deshmukh  
(74) *Attorney, Agent, or Firm*—LaRiviere, Grubman & Payne, LLP

(57) **CLAIM**

The ornamental design for a 9 volt multi-power cell display package, as shown and described.

**DESCRIPTION**

A portion of the disclosure of this design patent document

contains material which is subject to copyright protection. The copyright owner has no objection to the facsimile reproduction by anyone of the patent document or the patent disclosure, as it appears in the U.S. Patent and Trademark Office patent files or records, but otherwise reserves all rights under the copyright laws of the United States (17 U.S.C. ' 106).

This application is related to the following Applications: Design Application "C/D Multi-Powr Cell Display Package, Two Embodiments", Ser. No. 29/172,626; Design Application "AA/AAA Multi-Power Cell Display Package, Four Embodiments", Ser. No. 29/172,541; and Utility Application "Apparatus for Displaying Battery Products", Ser. No. 10/318,956.

FIG. 1 is a front perspective view of an embodiment of an assembled 9 volt multi-power cell display package, in accordance with the present invention.

FIG. 2 is a rear perspective view of an embodiment of an assembled 9 volt multi-power cell display package, in accordance with the present invention.

FIG. 3 is an exploded front plan view of an embodiment of a 9 volt multi-power cell display package, in accordance with the present invention.

FIG. 4 is an exploded rear plan view of an embodiment of a 9 volt multi-power cell display package, in accordance with the present invention.

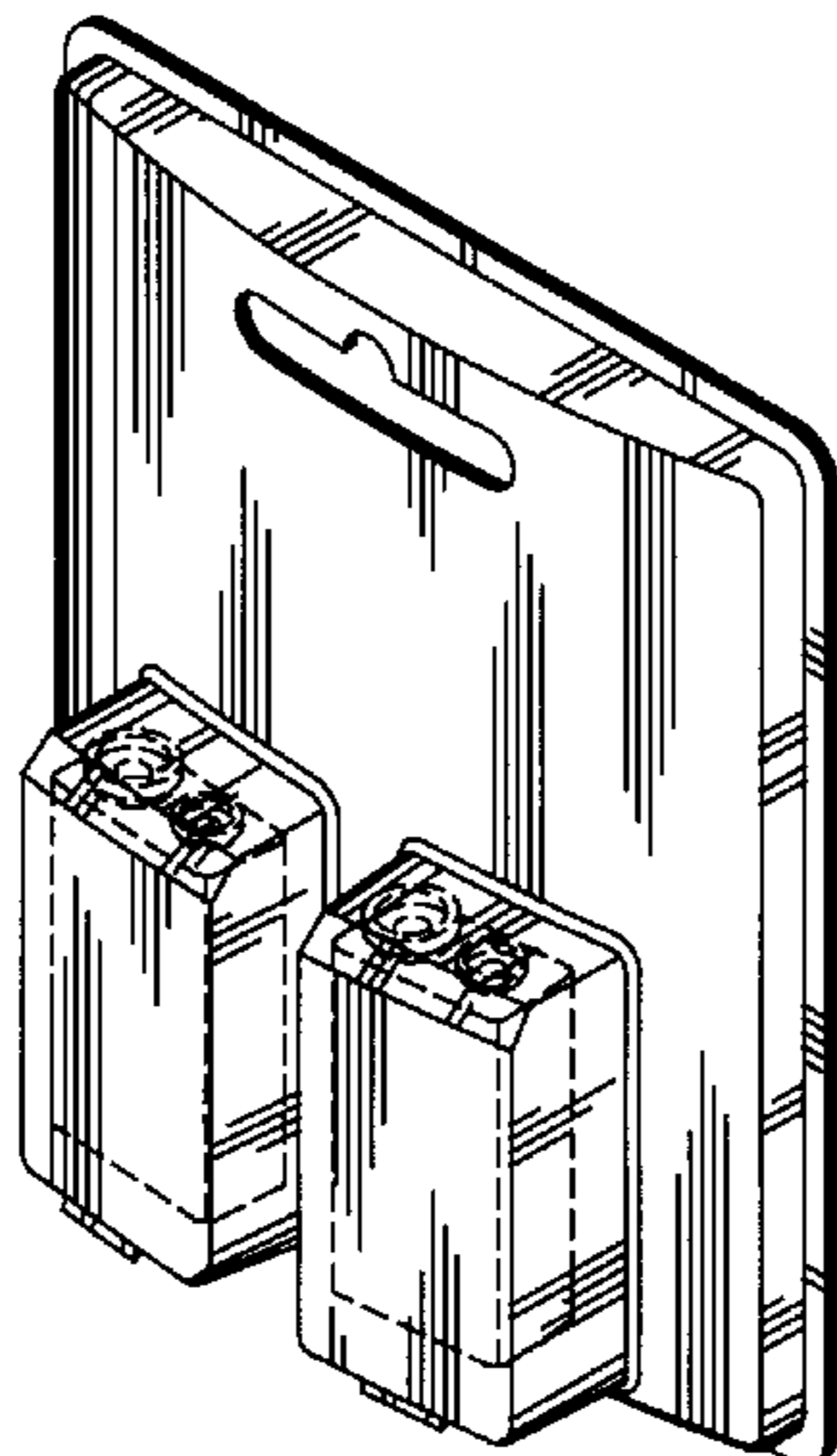
FIG. 5 is an exploded top view of an embodiment of a 9 volt multi-power cell display package, in accordance with the present invention.

FIG. 6 is an exploded bottom view of an embodiment of a 9 volt multi-power cell display package, in accordance with the present invention; and,

FIG. 7 is an exploded right side elevation view of an embodiment of a 9 volt multi-power cell display package, in accordance with the present invention. The left side view is a mirror image of the right side view and is not shown.

The broken lines showing the environment in the Figures are for illustrative purposes only and form no part of the claimed design.

**1 Claim, 4 Drawing Sheets**



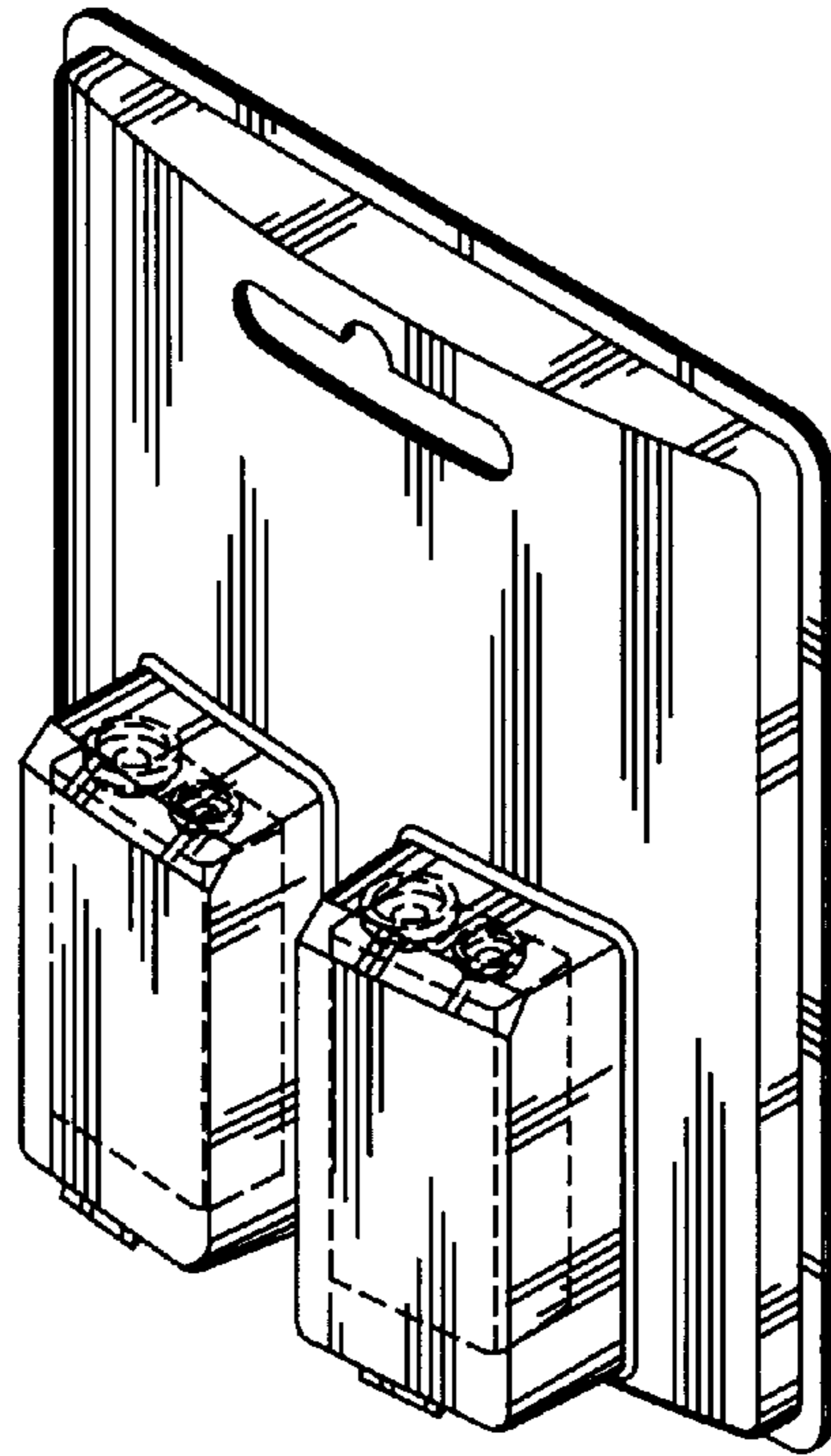


Figure 1

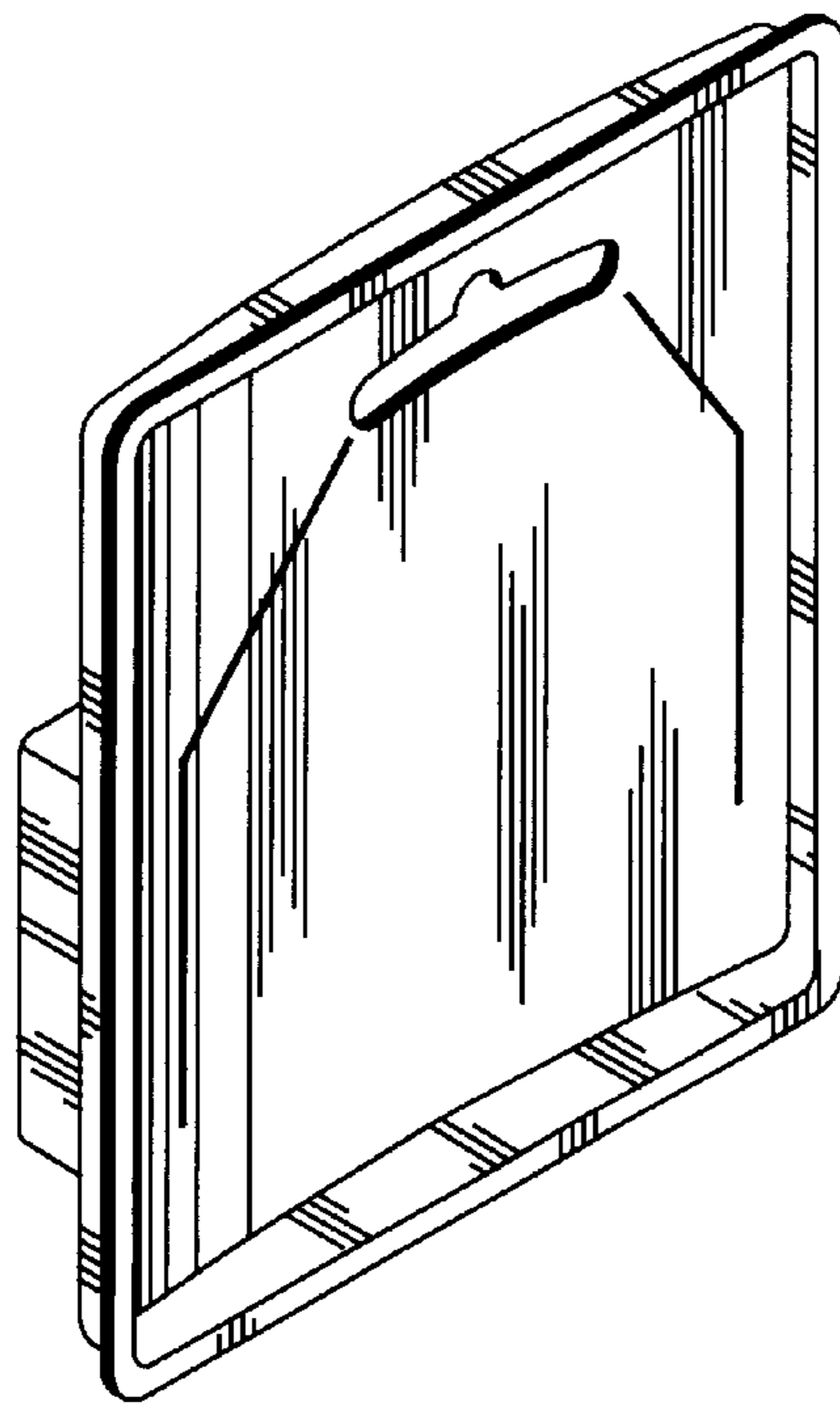


Figure 2

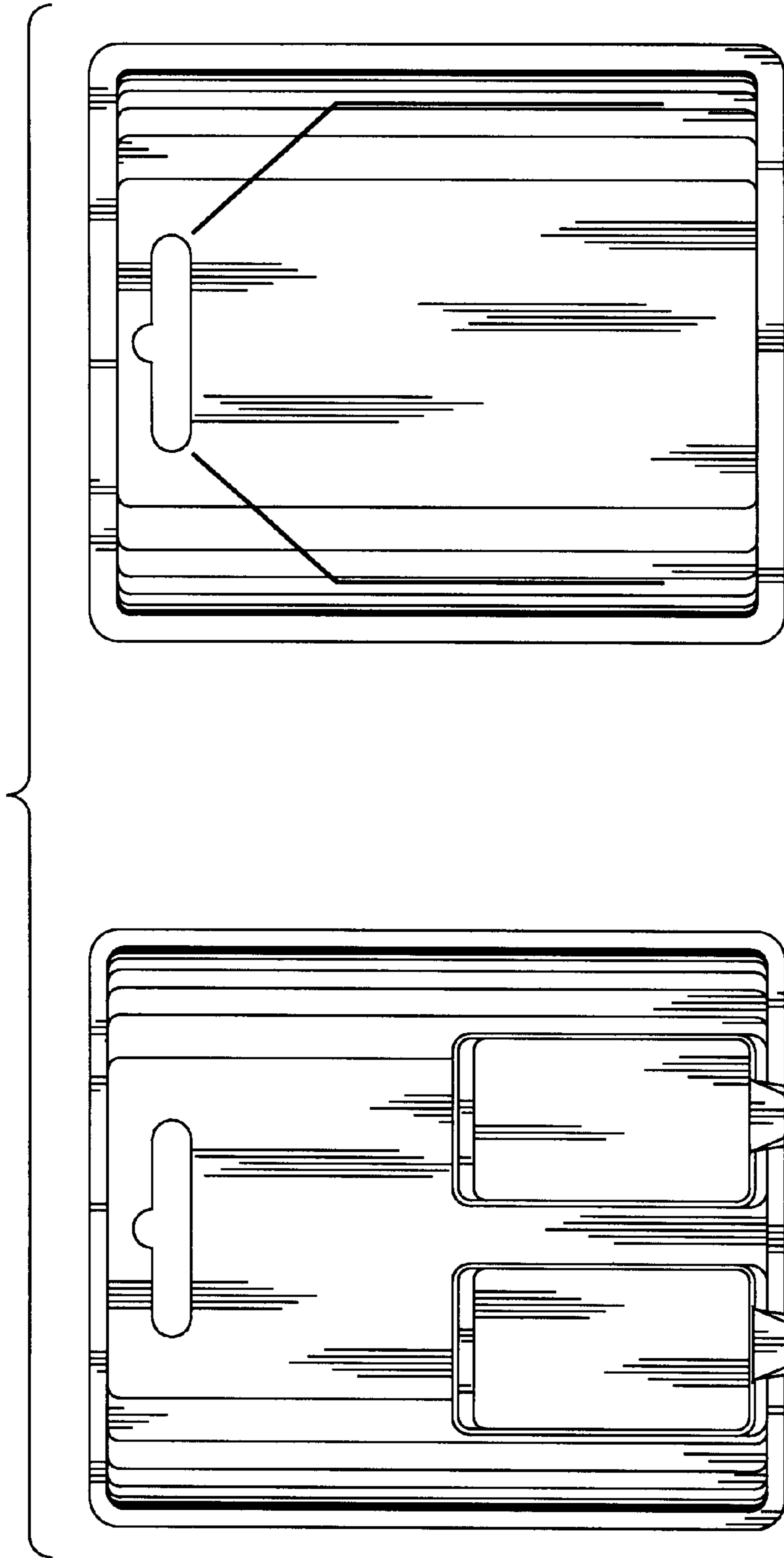


Figure 3

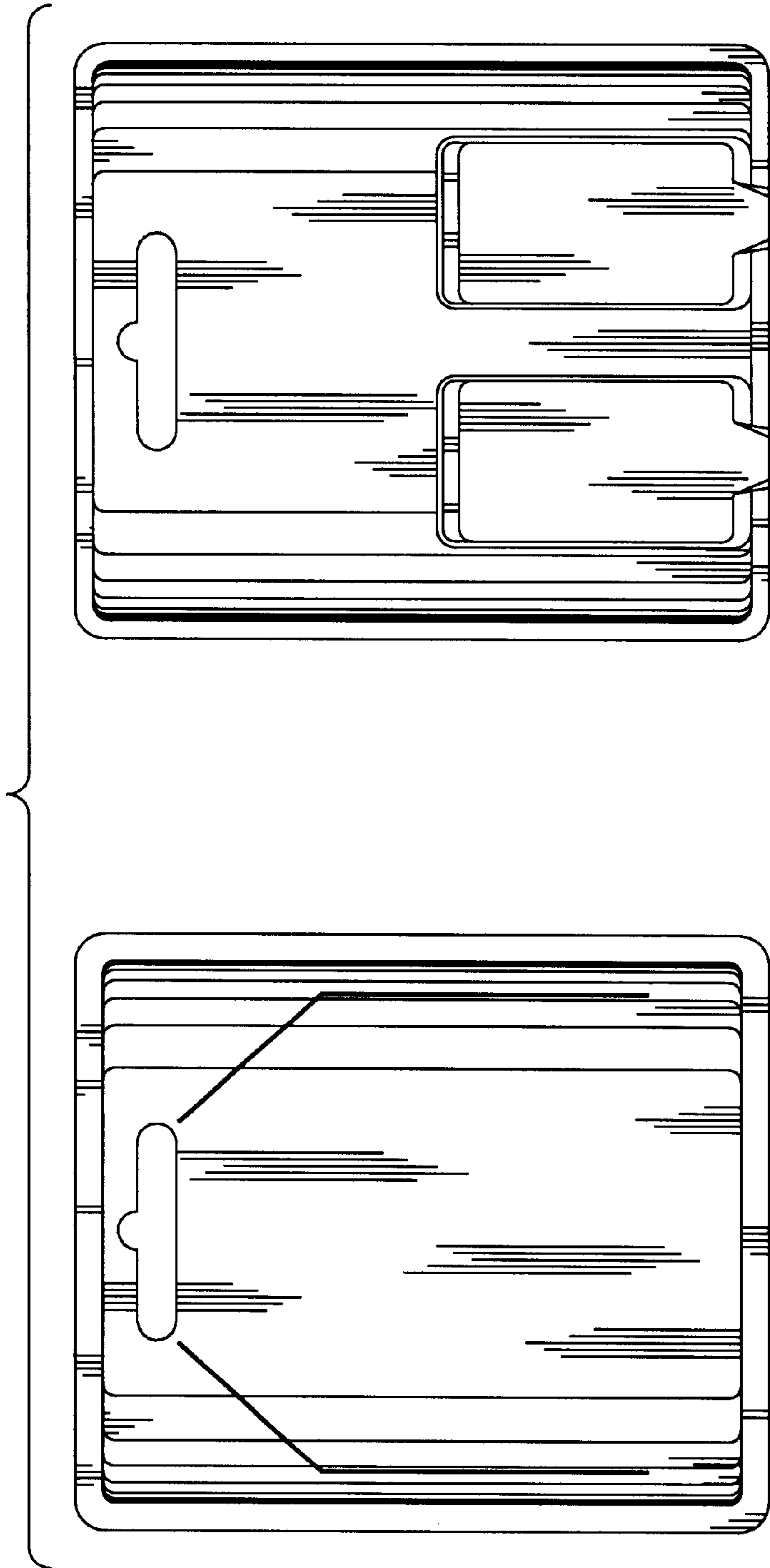


Figure 4

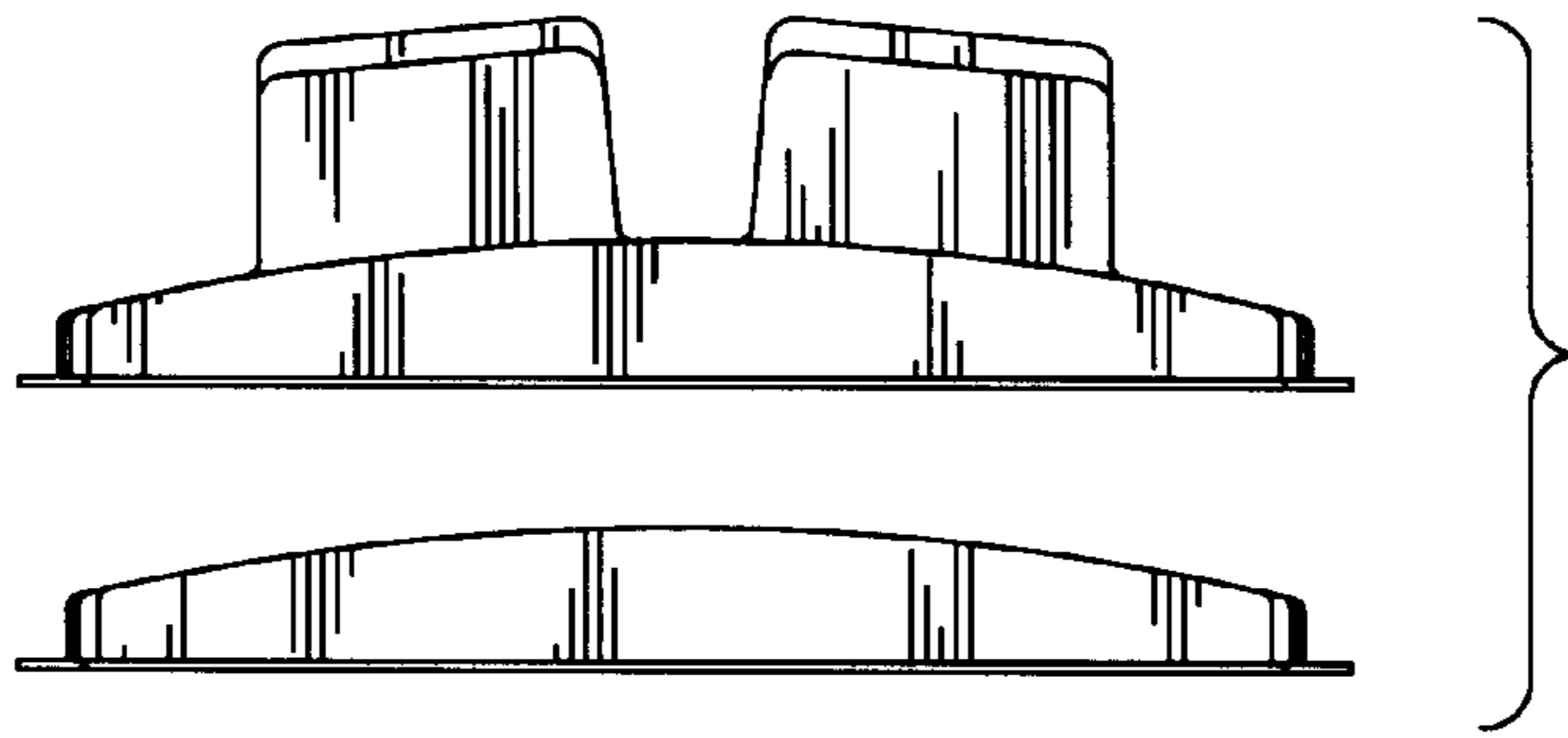


Figure 5

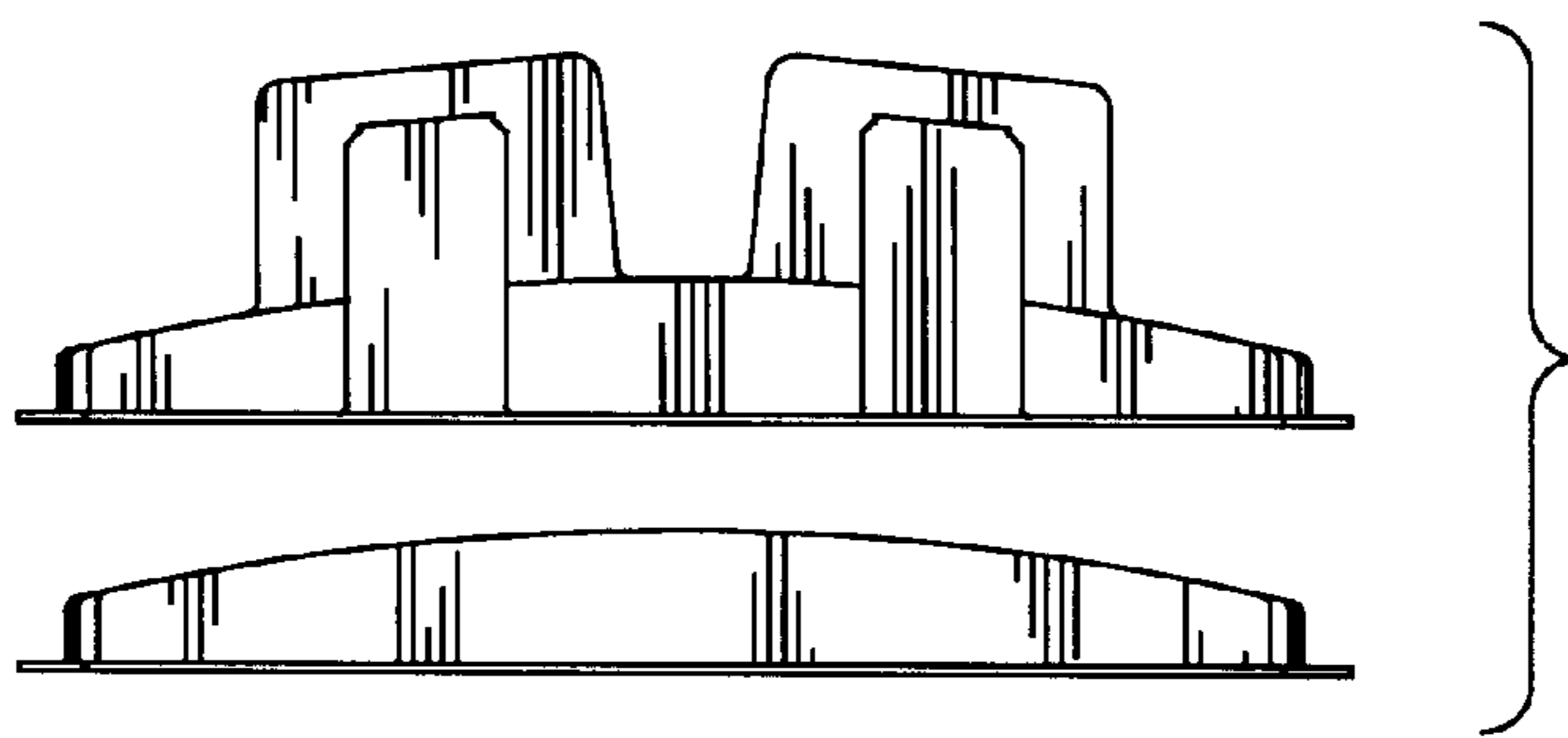


Figure 6

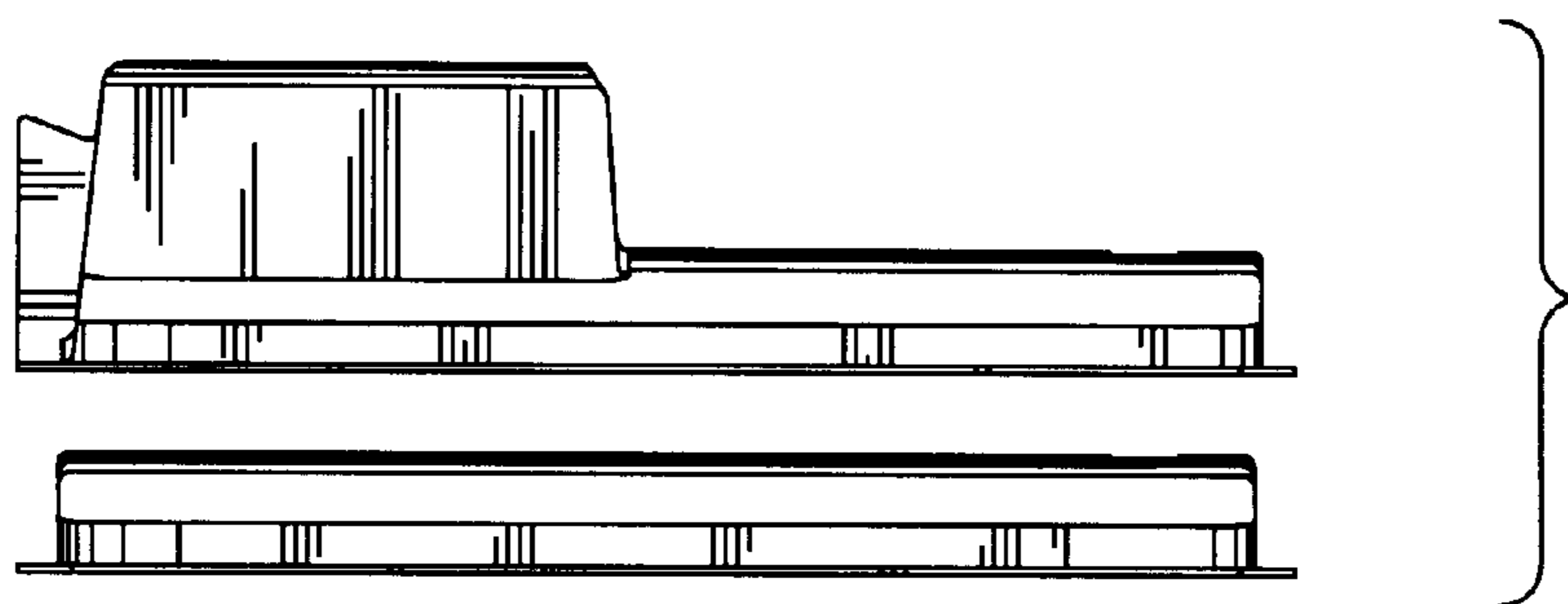


Figure 7

UNITED STATES PATENT AND TRADEMARK OFFICE  
**CERTIFICATE OF CORRECTION**

PATENT NO. : Des. 480,963 S  
DATED : October 21, 2003  
INVENTOR(S) : Kendrew Lee

Page 1 of 5

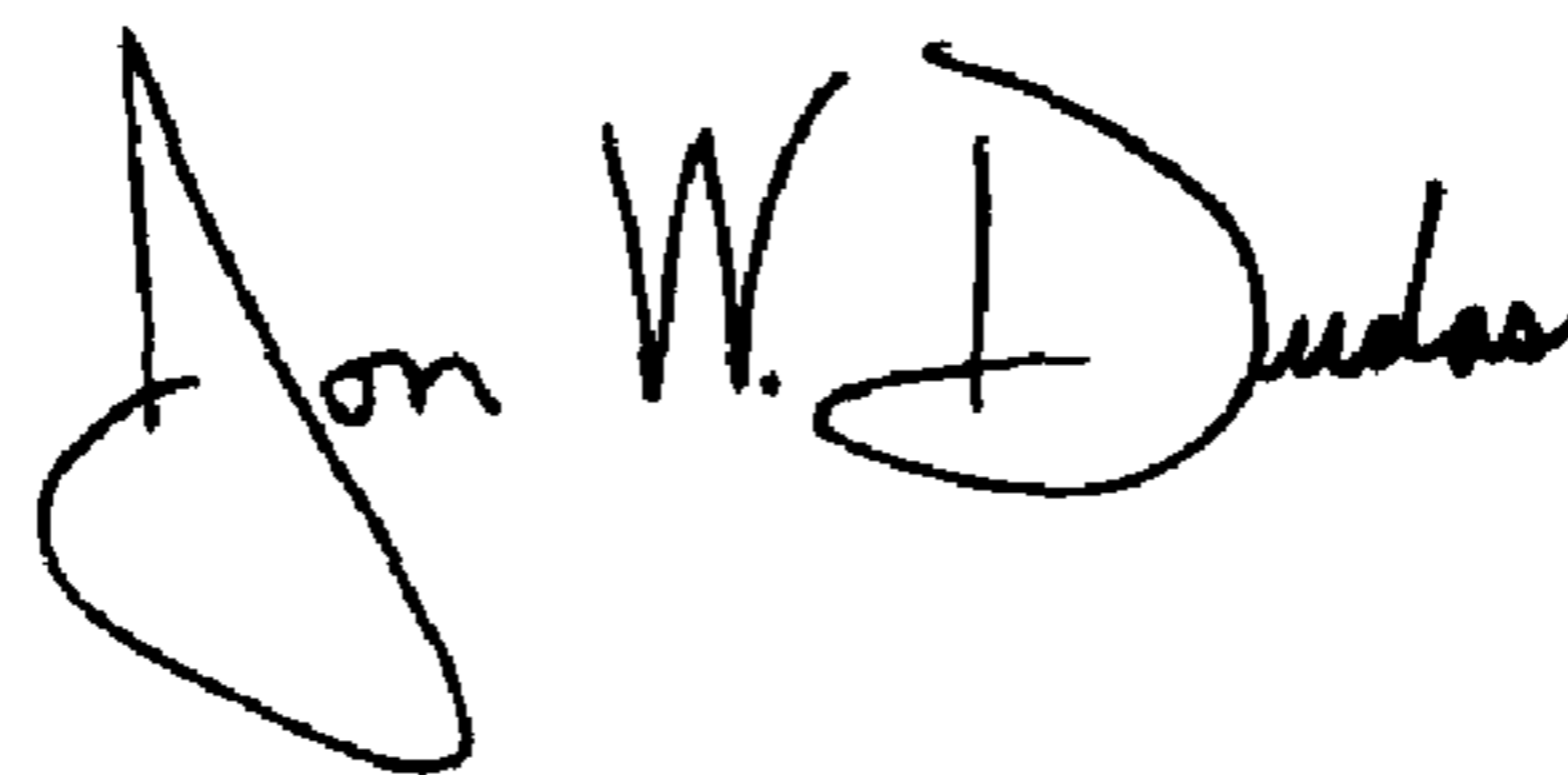
It is certified that error appears in the above-identified patent and that said Letters Patent is hereby corrected as shown below:

Drawings,

Delete drawing sheets 1-4, consisting of figures 1 through 7 and replace with the attached drawing sheets.

Signed and Sealed this

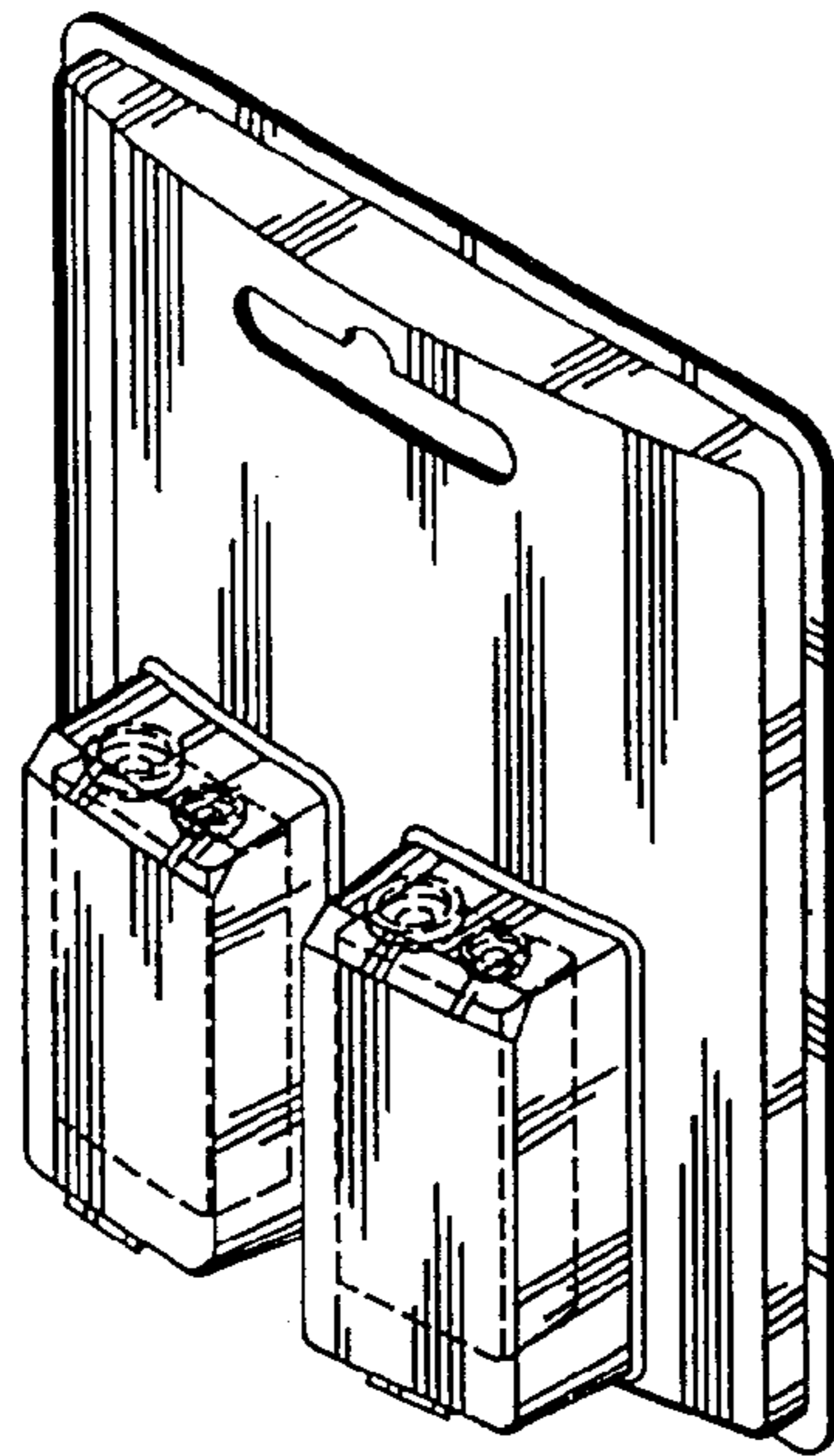
Twentieth Day of July, 2004

A handwritten signature in black ink that reads "Jon W. Dudas". The signature is written in a cursive style with a large, looped initial "J".

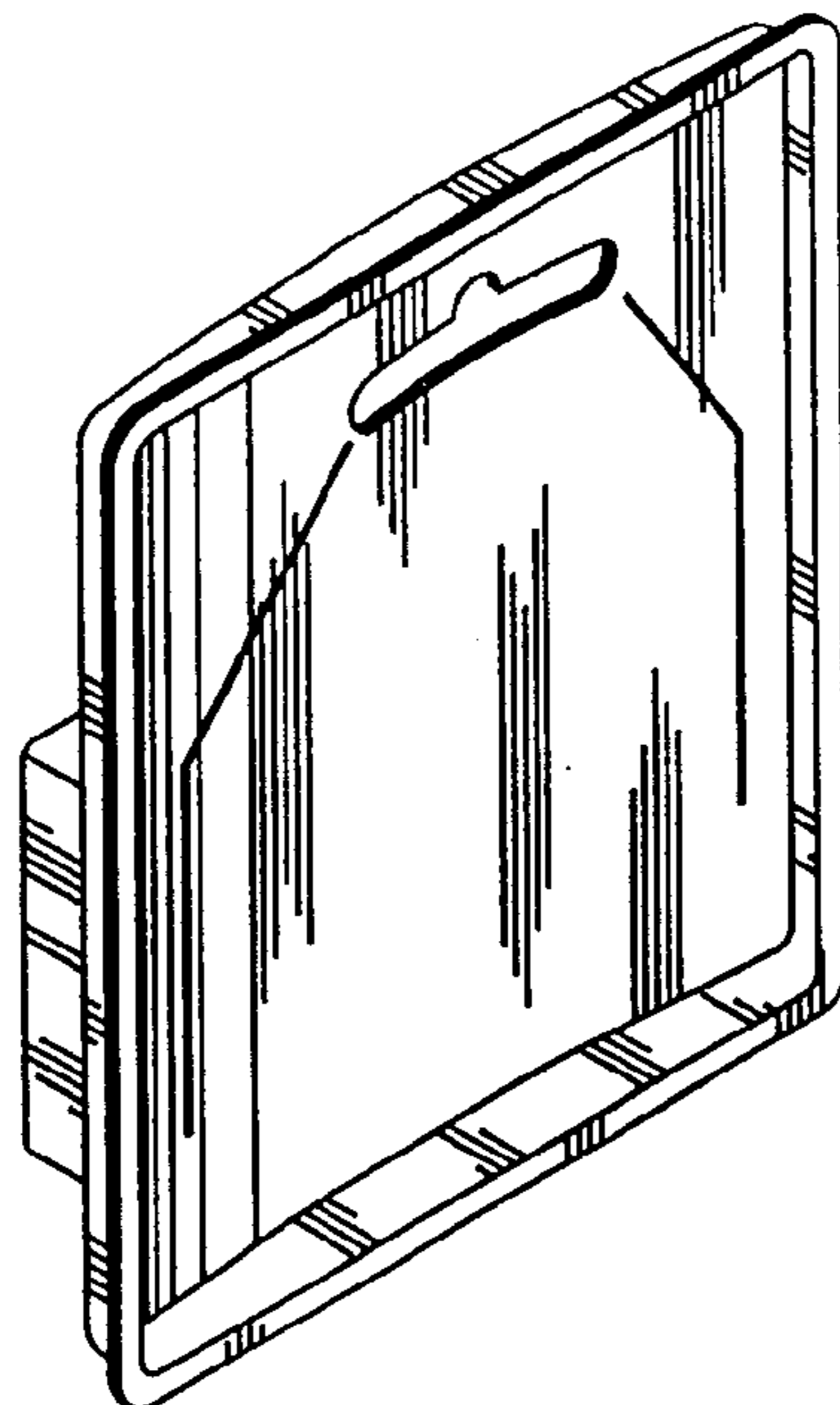
---

JON W. DUDAS

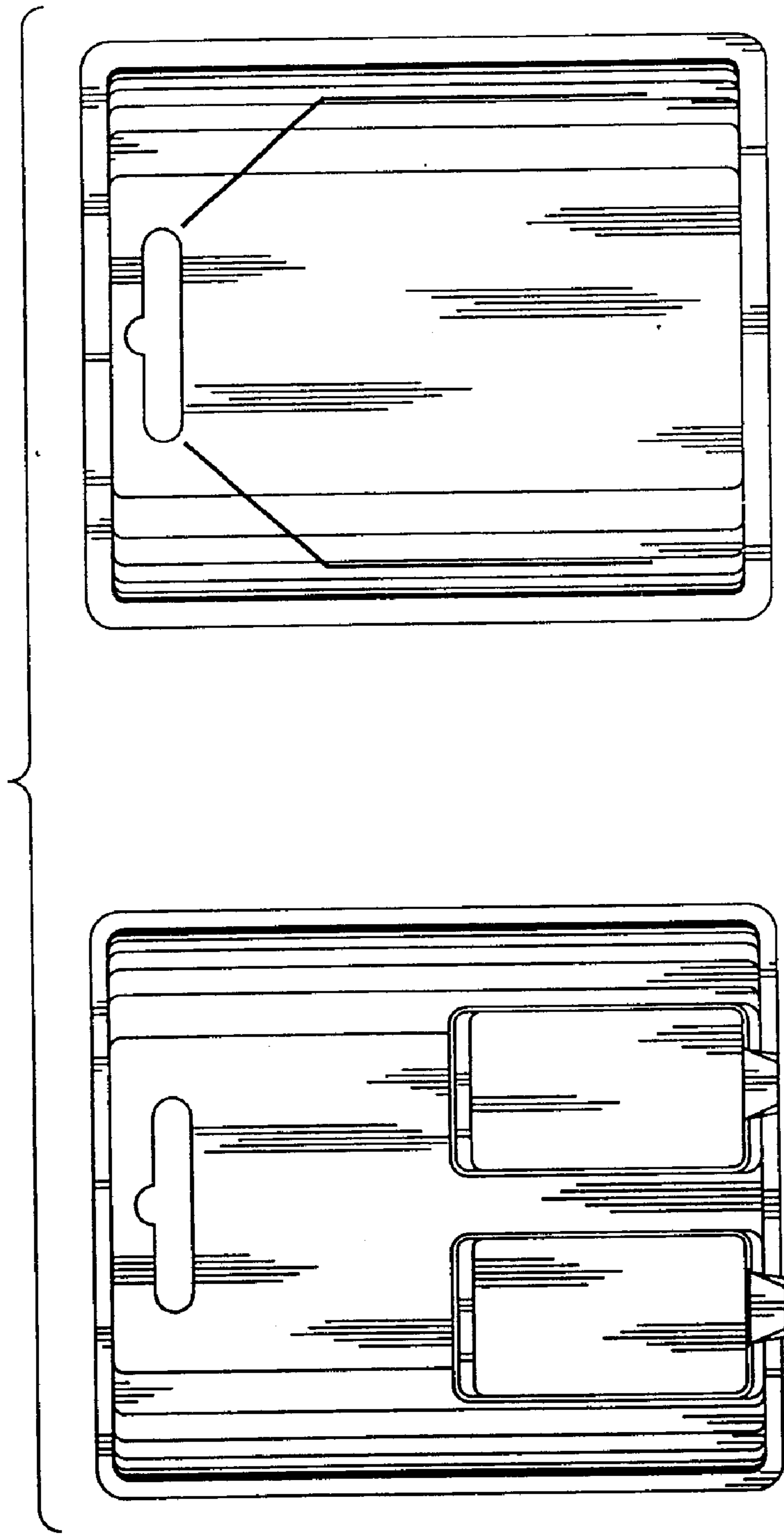
*Acting Director of the United States Patent and Trademark Office*



© 2002 MONSTER, LLC  
Figure 1



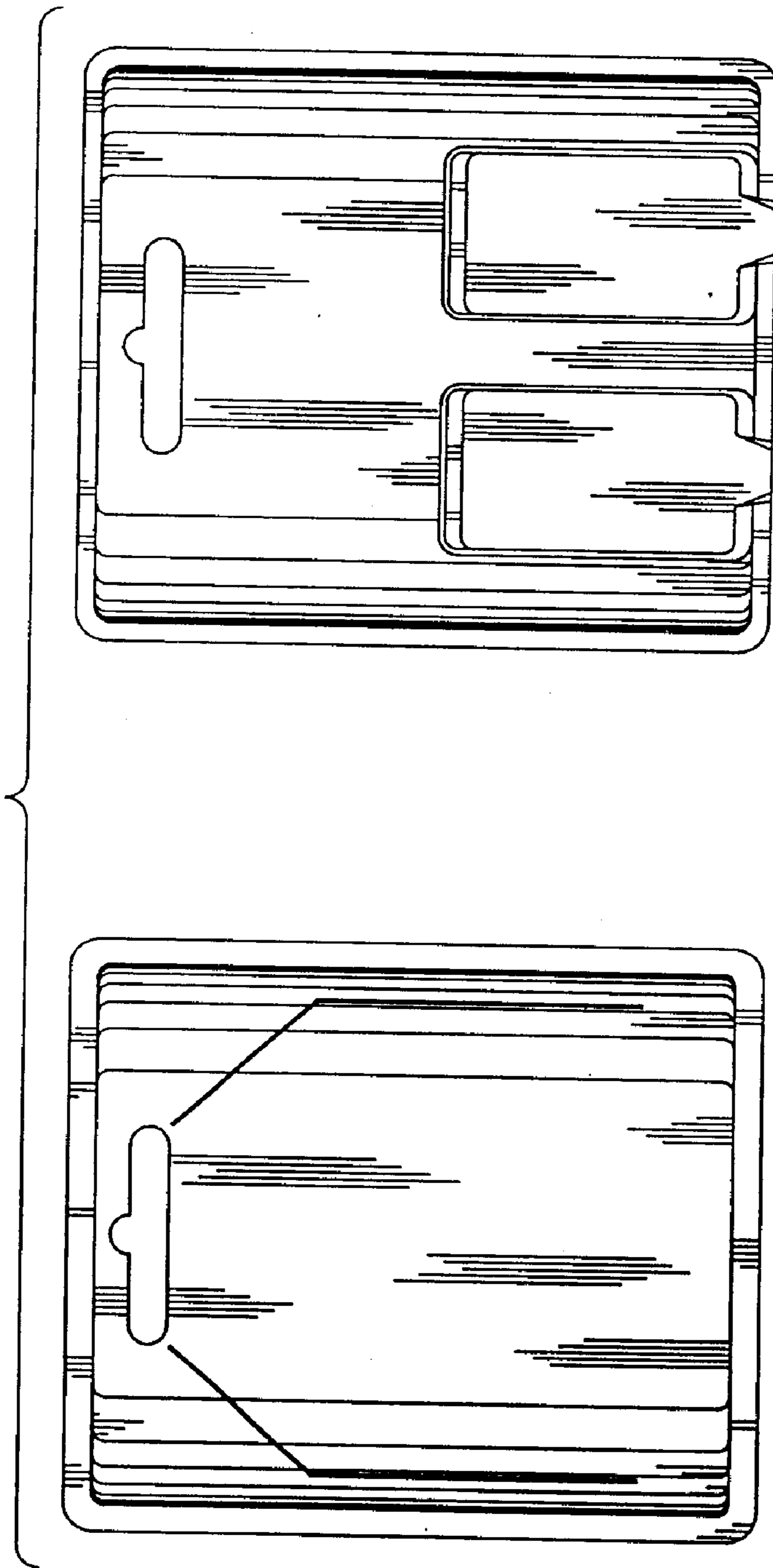
© 2002 MONSTER, LLC  
Figure 2



© 2002 MONSTER, LLC

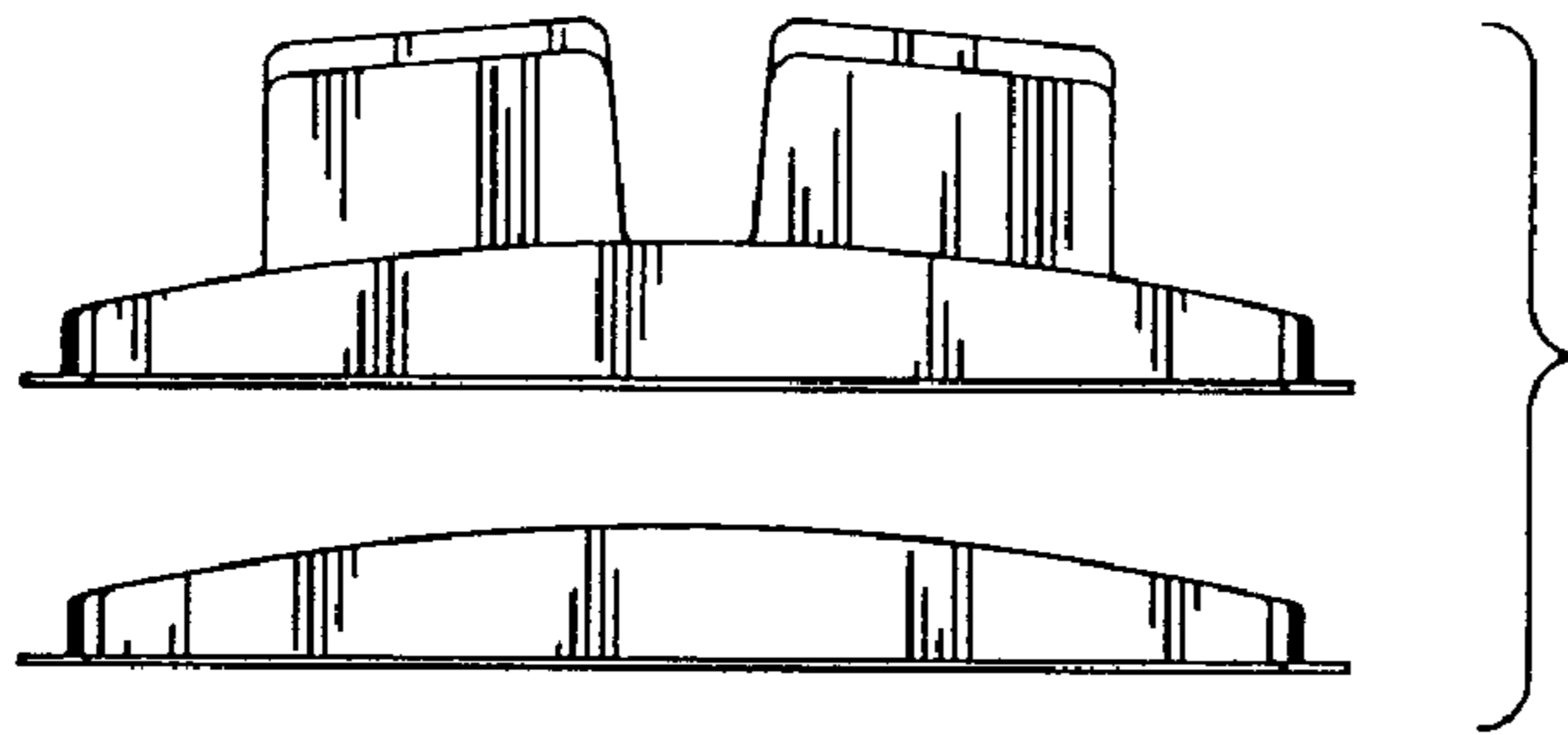
Figure 3





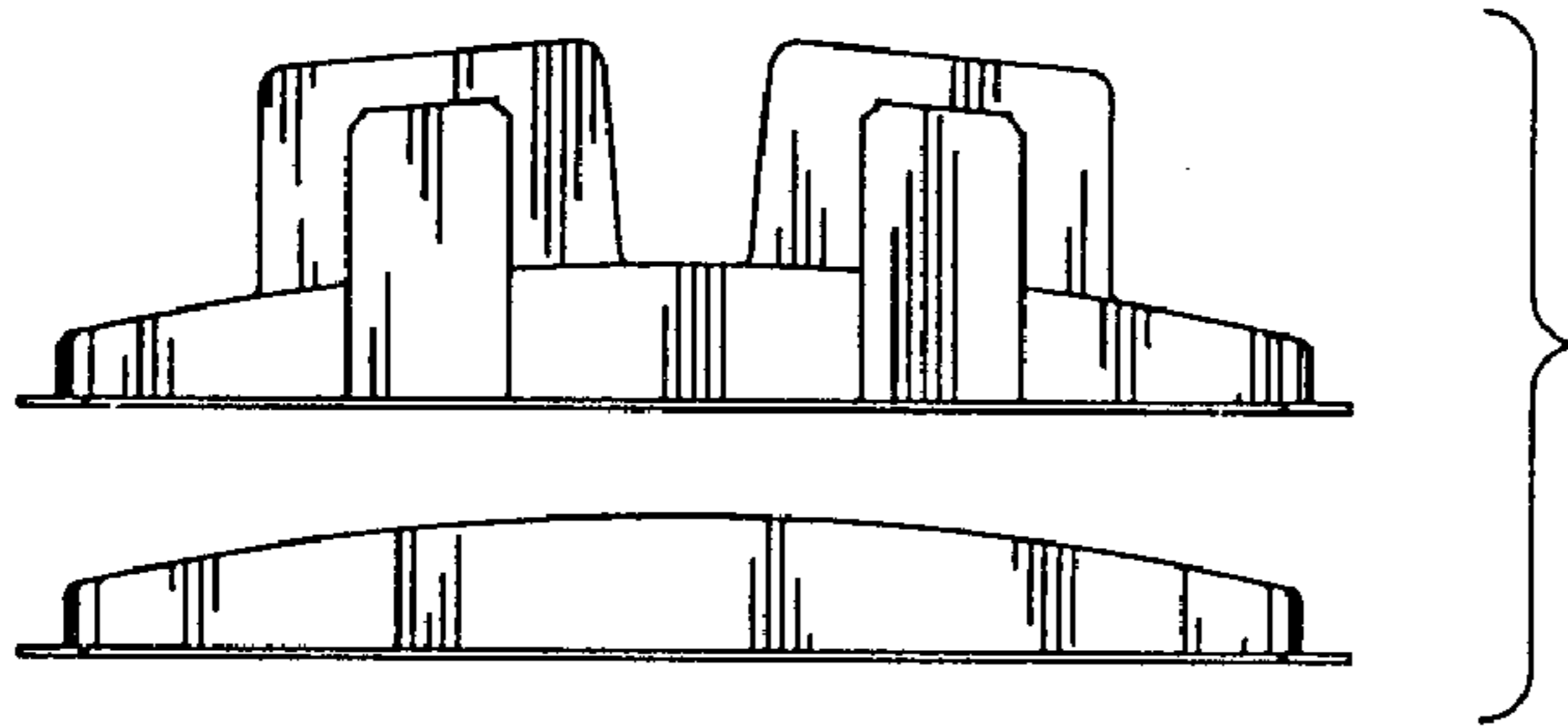
© 2002 MONSTER, LLC

Figure 4



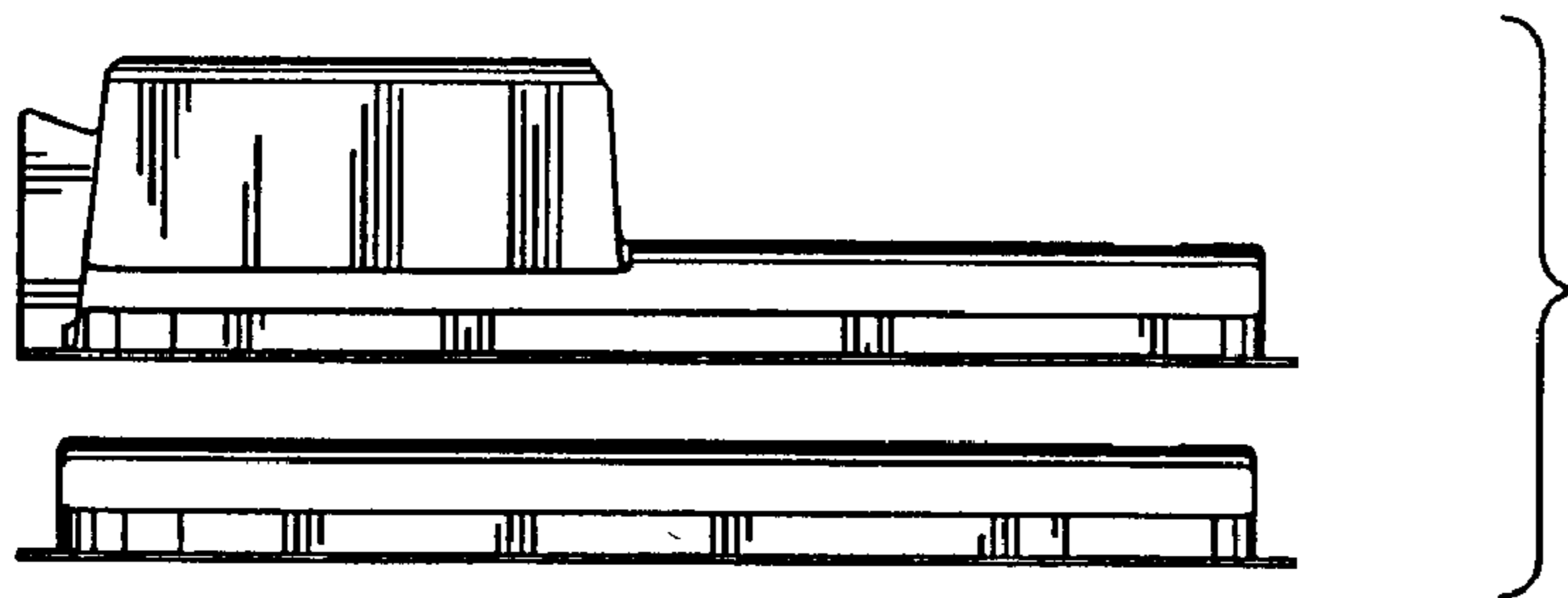
© 2002 MONSTER, LLC

Figure 5



© 2002 MONSTER, LLC

Figure 6



© 2002 MONSTER, LLC

Figure 7