



US00D480959S

(12) **United States Design Patent**  
**Dewood**

(10) **Patent No.:** **US D480,959 S**

(45) **Date of Patent:** **\*\* Oct. 21, 2003**

(54) **APPLICATOR FOR APPLYING MATERIAL TO A SURFACE**

(75) Inventor: **Kenneth Alan Dewood**, Findlay, OH (US)

(73) Assignee: **Designetics**, Sylvania, OH (US)

(\*\*) Term: **14 Years**

(21) Appl. No.: **29/154,110**

(22) Filed: **Jan. 18, 2002**

(51) **LOC (7) Cl.** ..... **09-03**

(52) **U.S. Cl.** ..... **D9/338**

(58) **Field of Search** ..... D9/337, 338, 339, D9/434, 435, 499; D15/150, 199; D24/152; 118/264, 265, 266; 156/205; 401/207

(56) **References Cited**

**U.S. PATENT DOCUMENTS**

- 3,158,096 A \* 11/1964 Arnold ..... 101/368
- 3,375,784 A \* 4/1968 Loof ..... 101/327
- 4,155,970 A \* 5/1979 Cassell ..... 8/34.5
- 4,289,070 A \* 9/1981 MacGregor ..... 101/327

- D304,840 S \* 11/1989 Mizutani et al. .... D19/43
- 5,131,349 A 7/1992 Keller et al.
- 5,483,880 A \* 1/1996 Seo et al. .... 101/125
- 5,743,959 A 4/1998 Ash et al.
- 6,460,456 B1 \* 10/2002 Sugiyama et al. .... 101/327
- D468,633 S \* 1/2003 DeWood ..... D9/338

\* cited by examiner

*Primary Examiner*—Mitchell Siegel

*Assistant Examiner*—Daniel Bui

(74) *Attorney, Agent, or Firm*—Donald K. Wedding

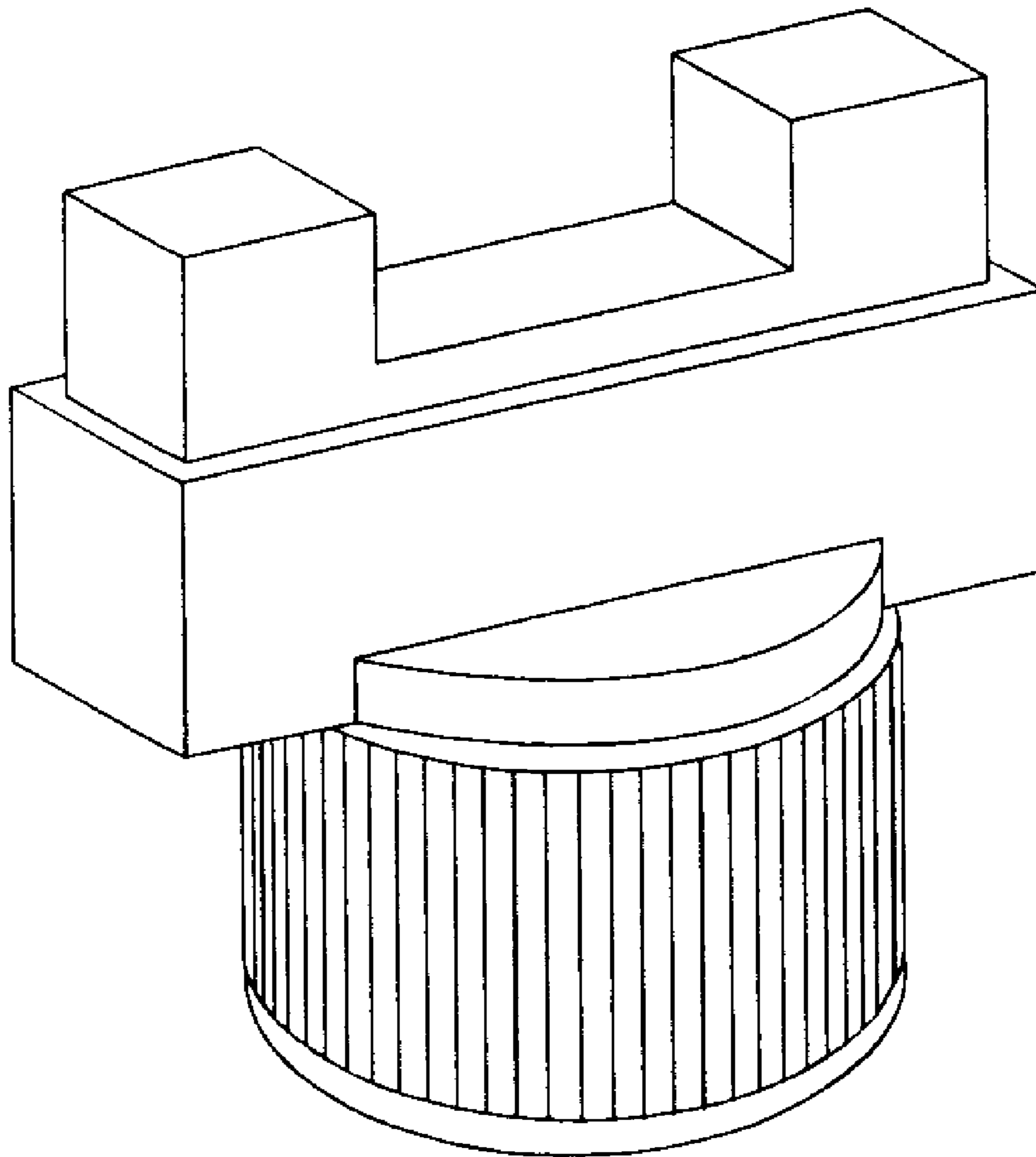
(57) **CLAIM**

The ornamental design for an applicator for applying material to a surface, as shown and described.

**DESCRIPTION**

FIG. 1 is an isometric or perspective view of my design for an applicator for applying material to a surface  
FIG. 2 is a front view of the design shown in FIG. 1  
FIG. 3 is a side view of the design shown in FIG. 1  
FIG. 4 is a top view of the design shown in FIG. 1; and,  
FIG. 5 is a bottom view of the design shown in FIG. 1.

**1 Claim, 1 Drawing Sheet**



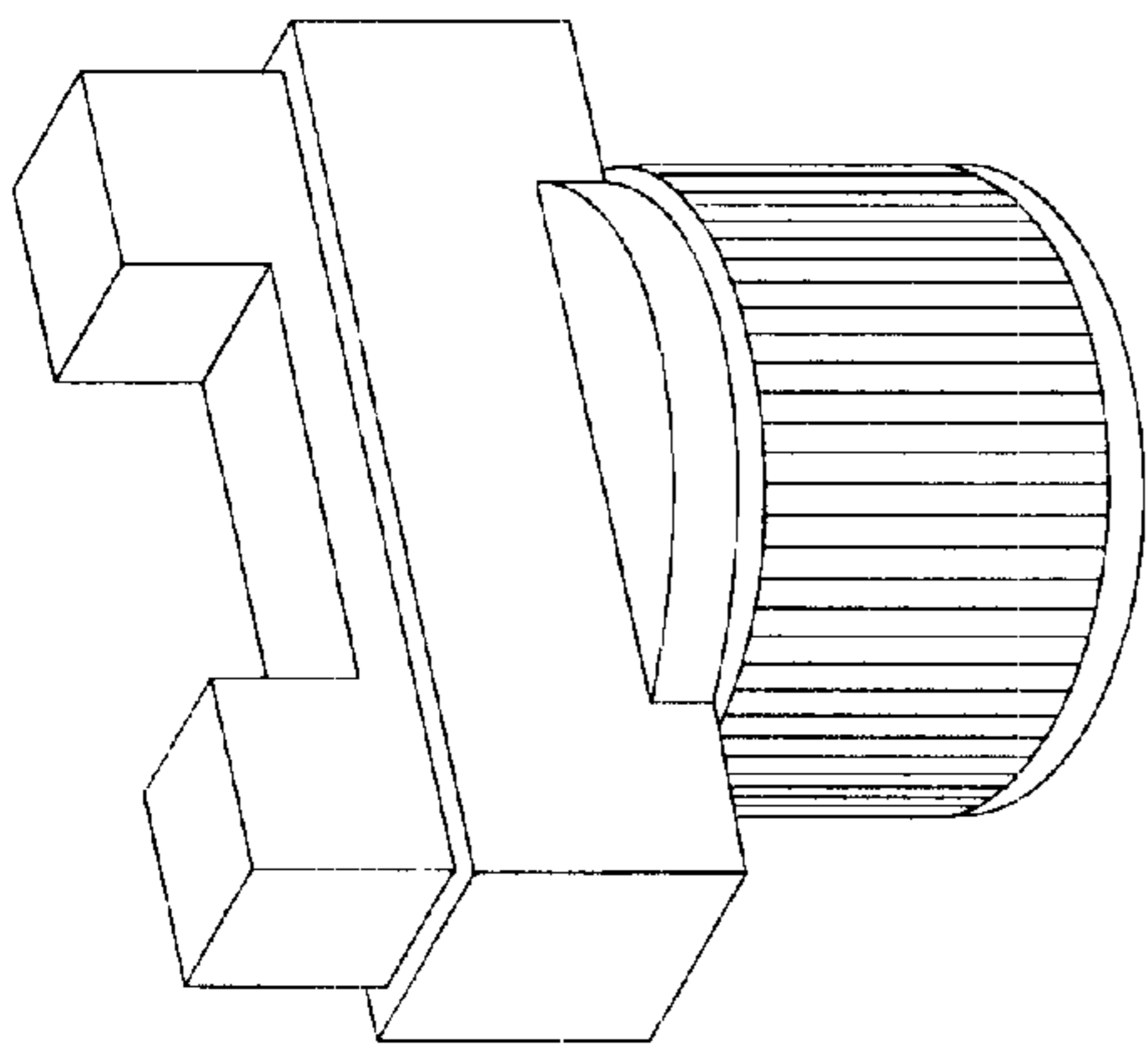


FIGURE 1

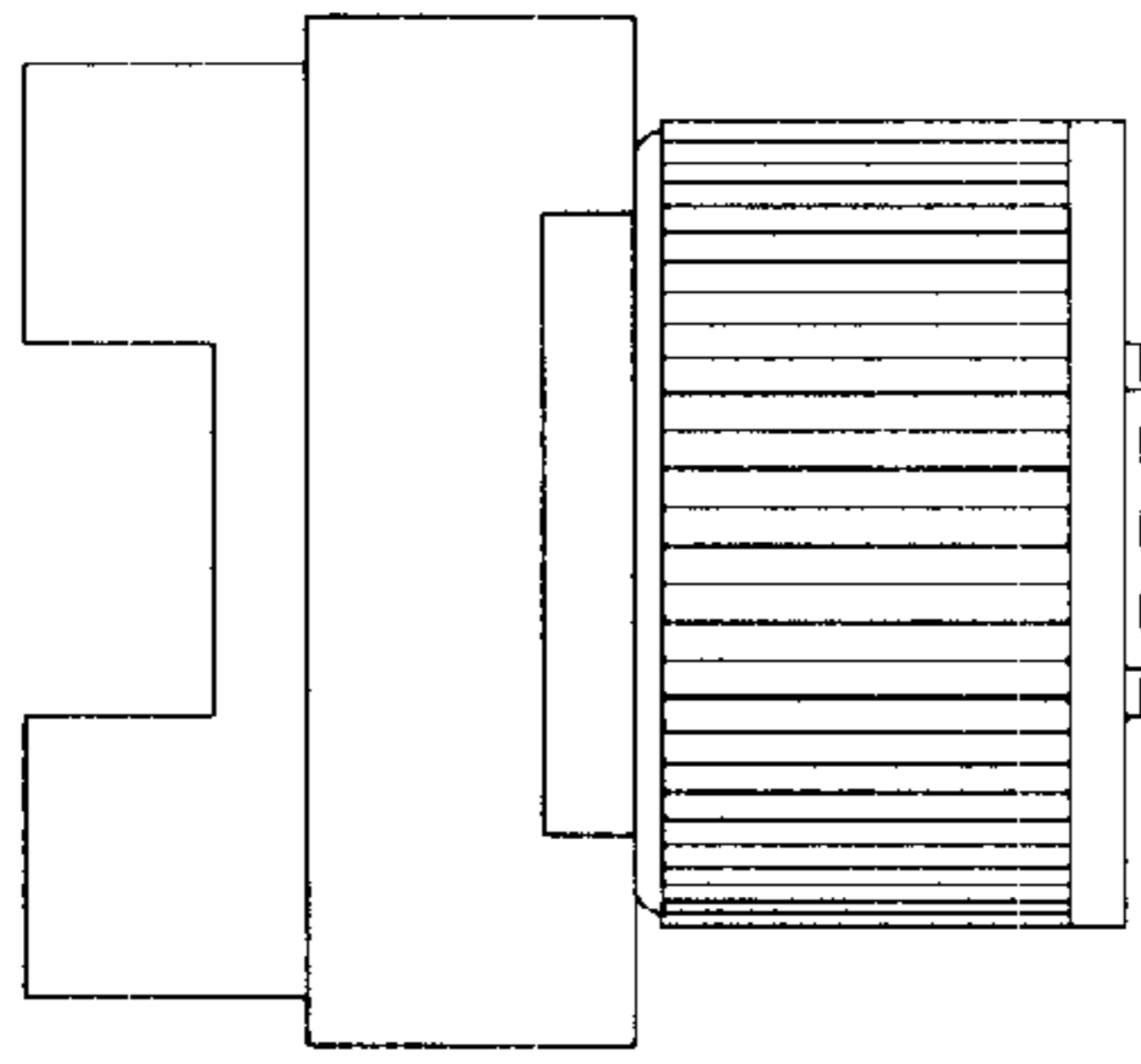


FIGURE 2

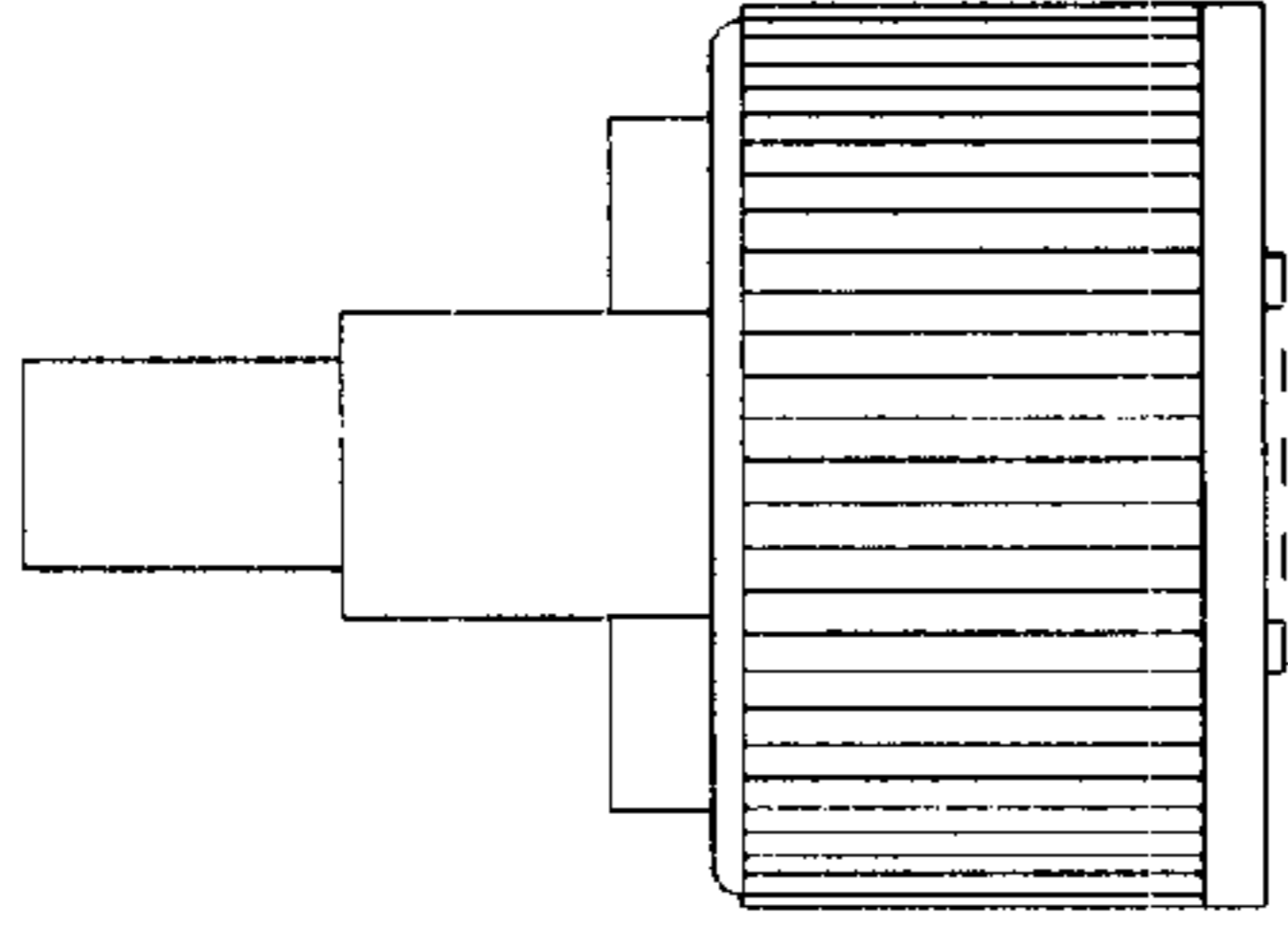


FIGURE 3

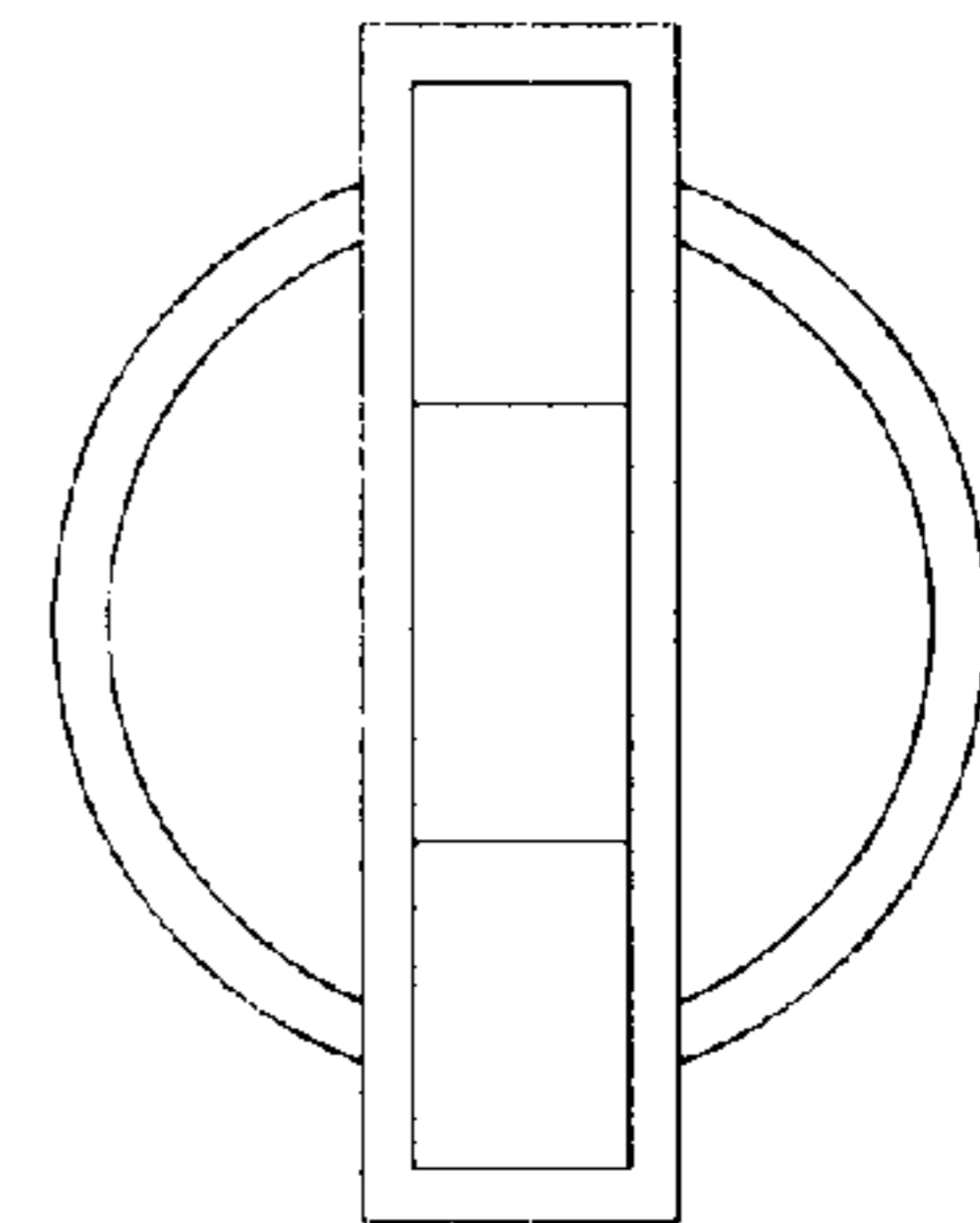


FIGURE 4

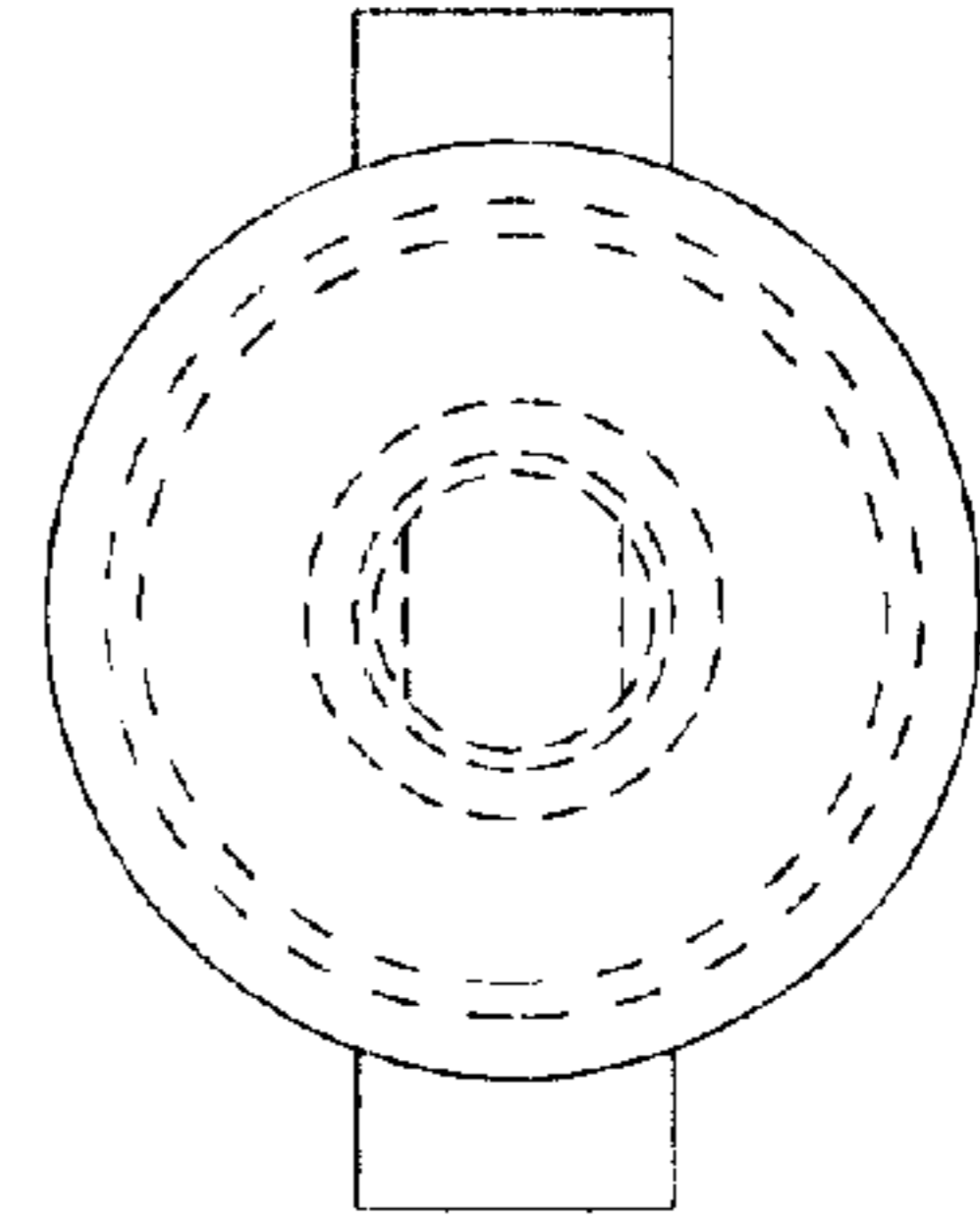


FIGURE 5