



US00D480949S

(12) **United States Design Patent**
Kosir

(10) **Patent No.:** **US D480,949 S**

(45) **Date of Patent:** **** Oct. 21, 2003**

(54) **BANNER HANGER**

(75) **Inventor:** **Joseph P. Kosir**, Euclid, OH (US)

(73) **Assignee:** **Fasteners For Retail, Inc.**, Cleveland, OH (US)

(**) **Term:** **14 Years**

(21) **Appl. No.:** **29/174,318**

(22) **Filed:** **Jan. 15, 2003**

(51) **LOC (7) Cl.** **08-05**

(52) **U.S. Cl.** **D8/373**

(58) **Field of Search** D8/373, 394, 382,
D8/383; 248/74.2, 489, 316.7; 40/649,
658, 617; 24/67.9, 563, 545, 3.12, 67 R;
D20/42

(56) **References Cited**

U.S. PATENT DOCUMENTS

3,399,429	A	*	9/1968	Goodman	24/67 R
D423,592	S		4/2000	Wamsley		
D461,710	S	*	8/2002	Heltzer	D8/395
6,450,471	B1	*	9/2002	Wear	248/489

OTHER PUBLICATIONS

FFR Yellow Pages© Catalog, front cover, pp. 176–180, back cover, undated.

* cited by examiner

Primary Examiner—Pamela Burgess

(74) *Attorney, Agent, or Firm*—Fay, Sharpe, Fagan, Minnich & McKee, LLP

(57) **CLAIM**

The ornamental design for a banner hanger, as shown and described.

DESCRIPTION

FIG. 1 is a perspective view of a banner hanger illustrating my new design;

FIG. 2 is a front elevational view thereof;

FIG. 3 is a rear elevational view thereof;

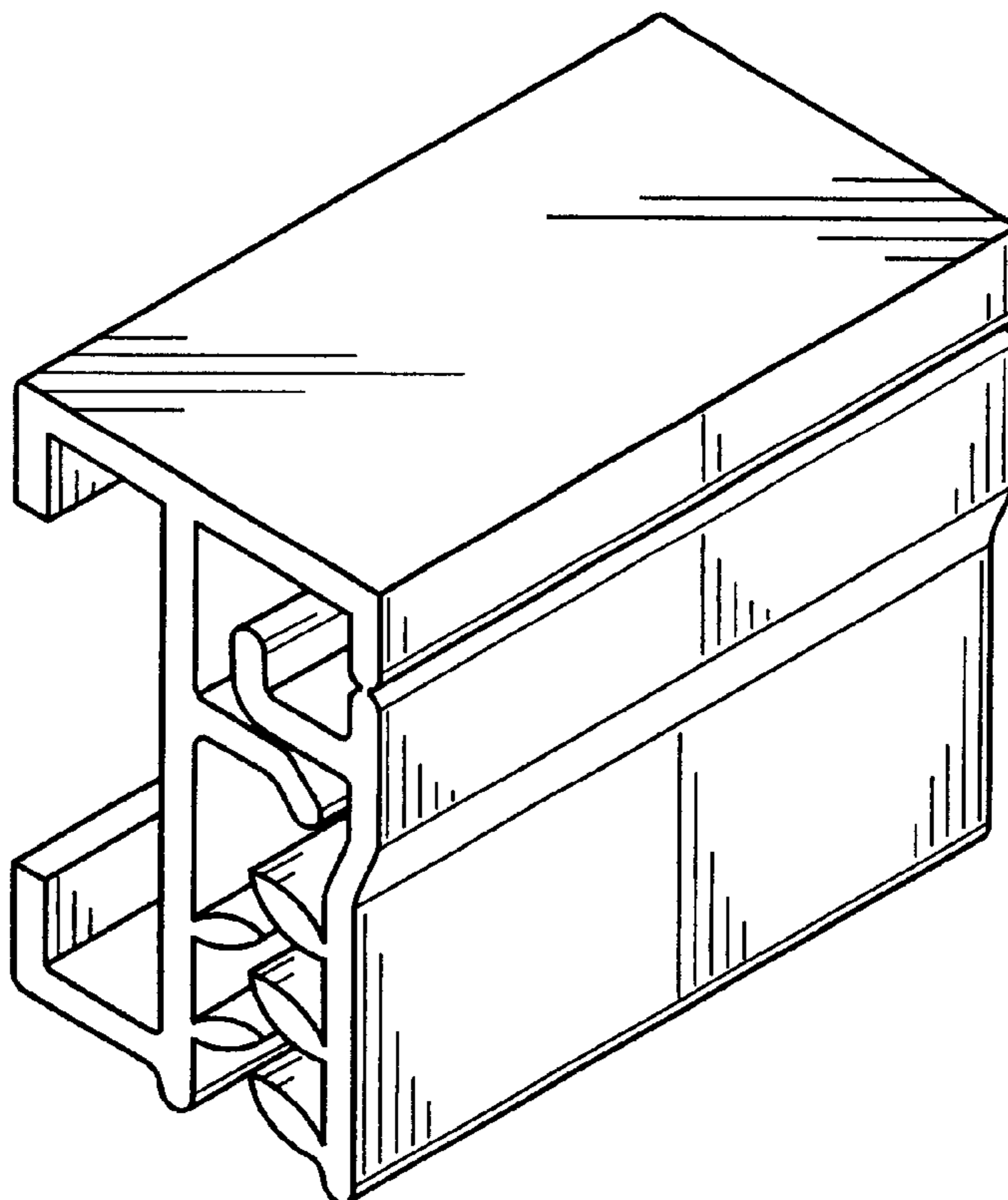
FIG. 4 is a top plan view thereof;

FIG. 5 is a bottom plan view thereof; and,

FIG. 6 is a left side elevational view thereof, with a right side elevational view being a mirror image thereof; and,

FIG. 7 is an enlarged side elevational view thereof showing the hanger in an open position and showing a suction cup. The part outlined in dotted lines is shown for illustrative purposes only and forms no part of the claimed invention.

1 Claim, 2 Drawing Sheets



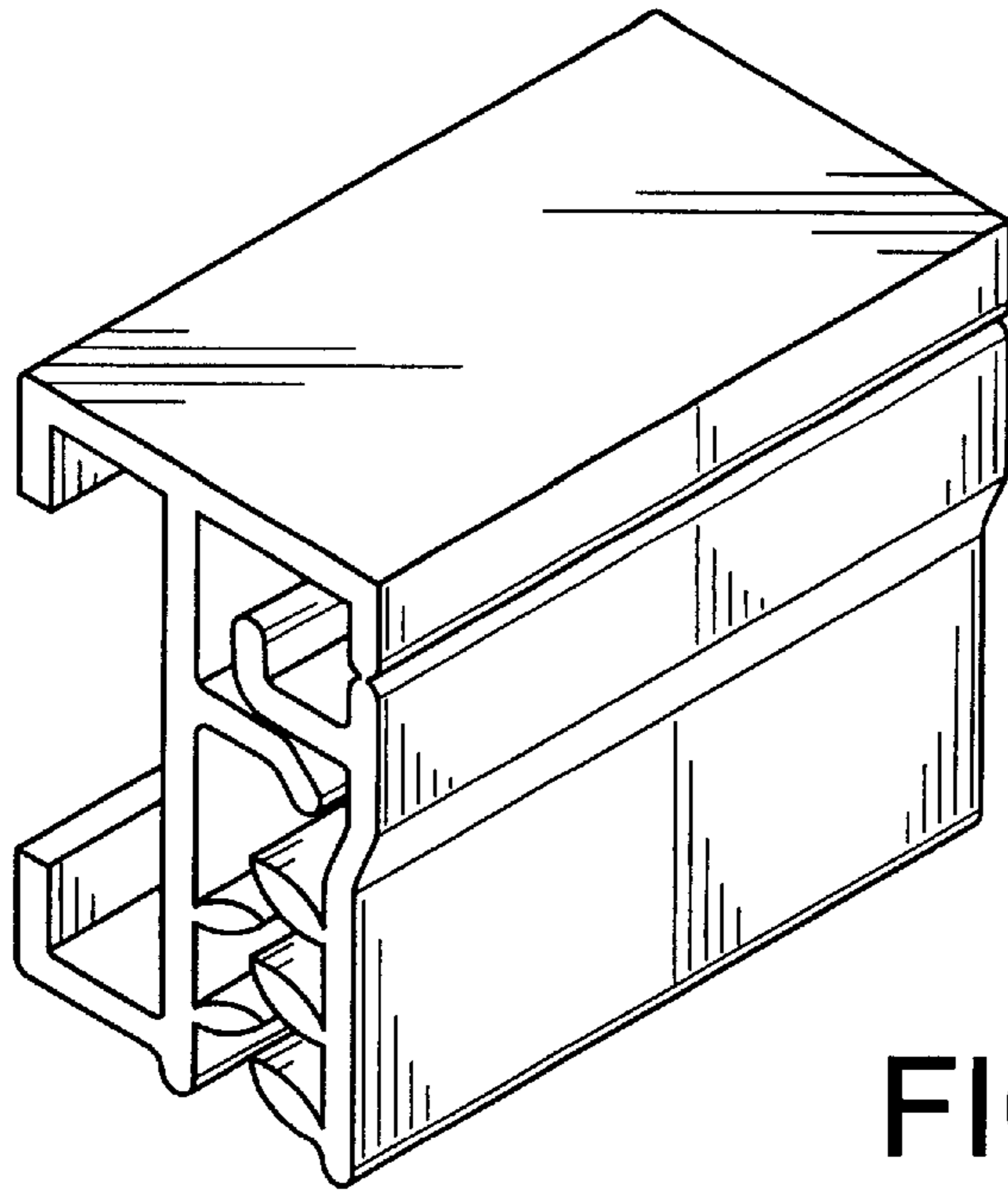


FIG. 1

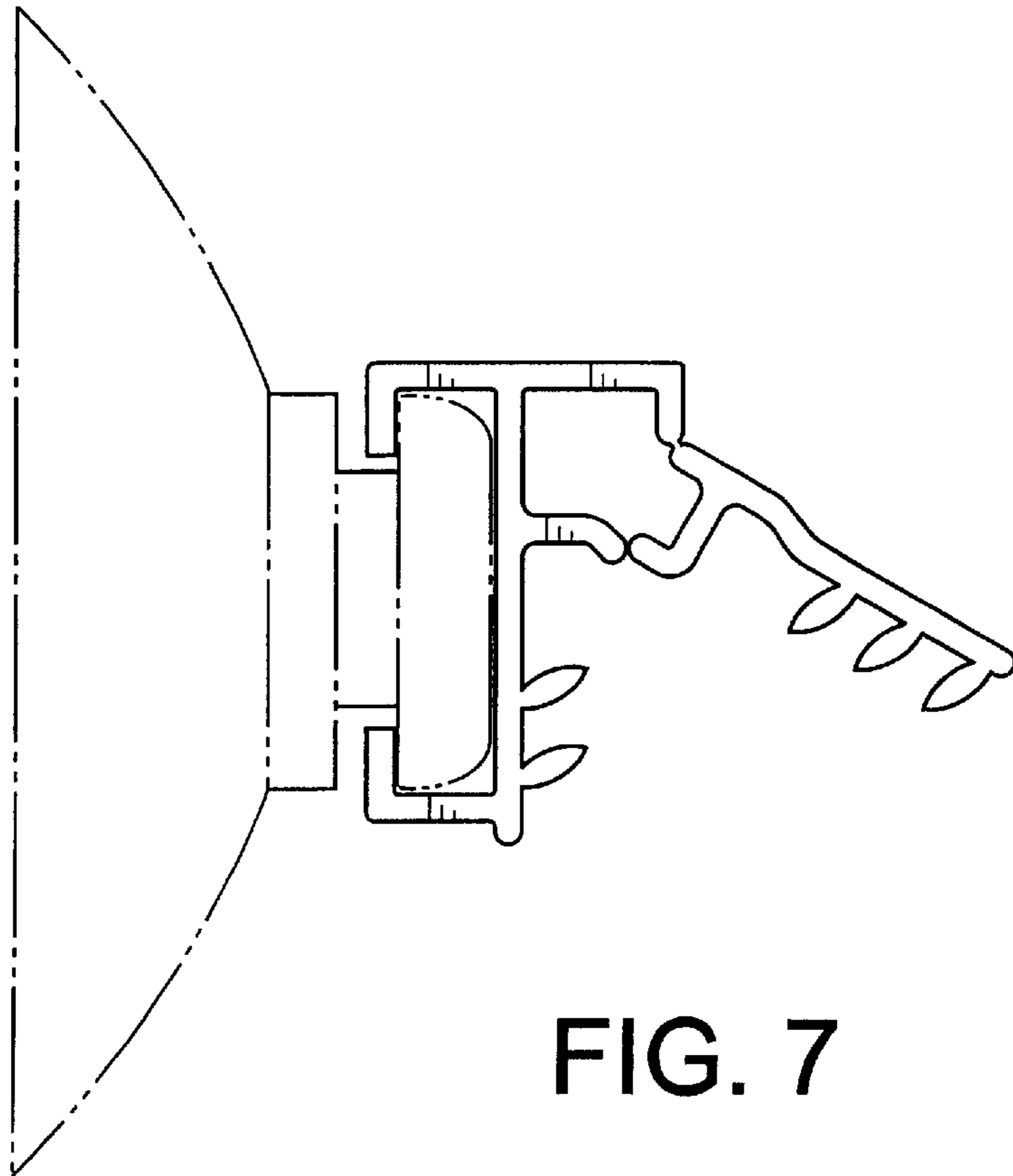


FIG. 7

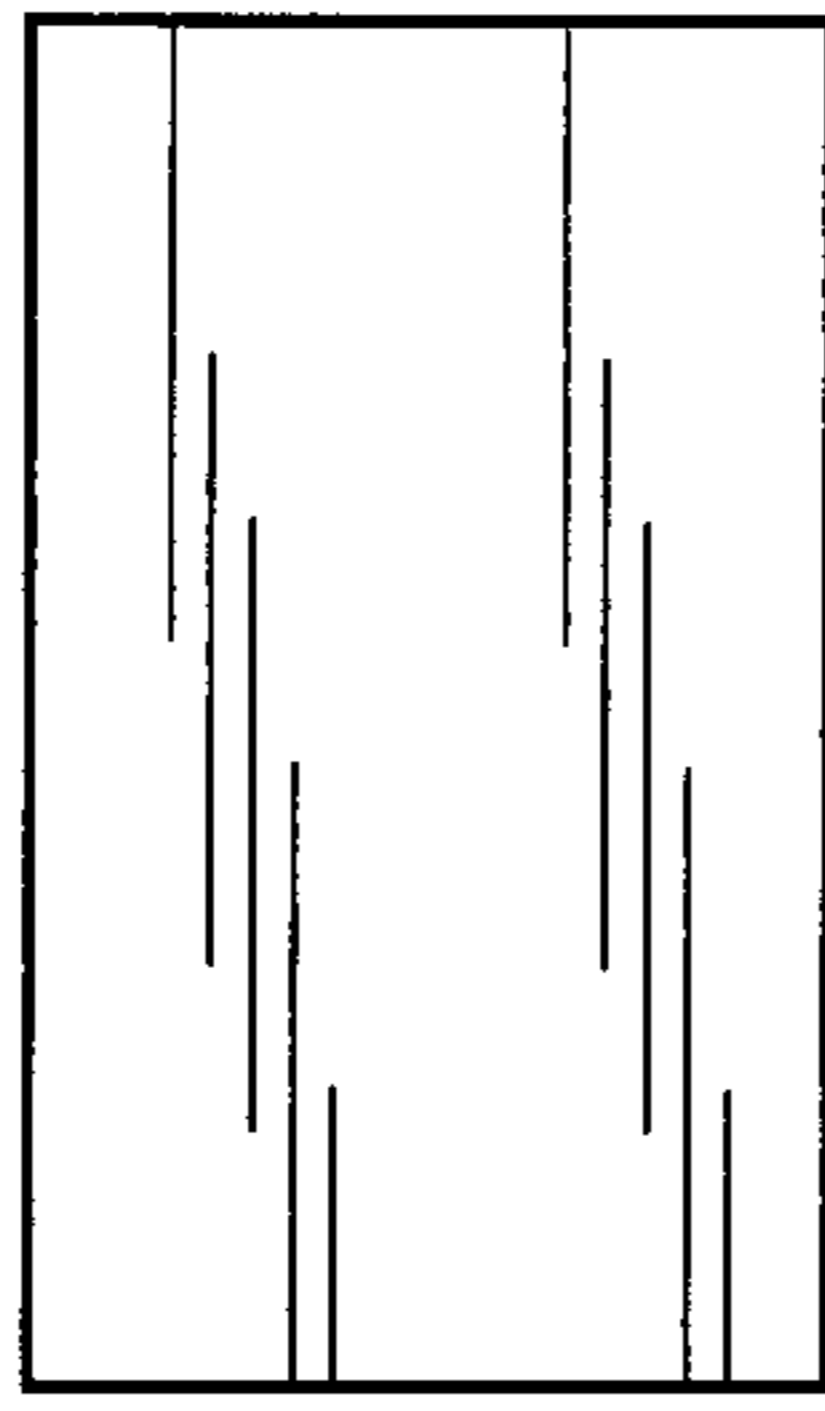


FIG. 4

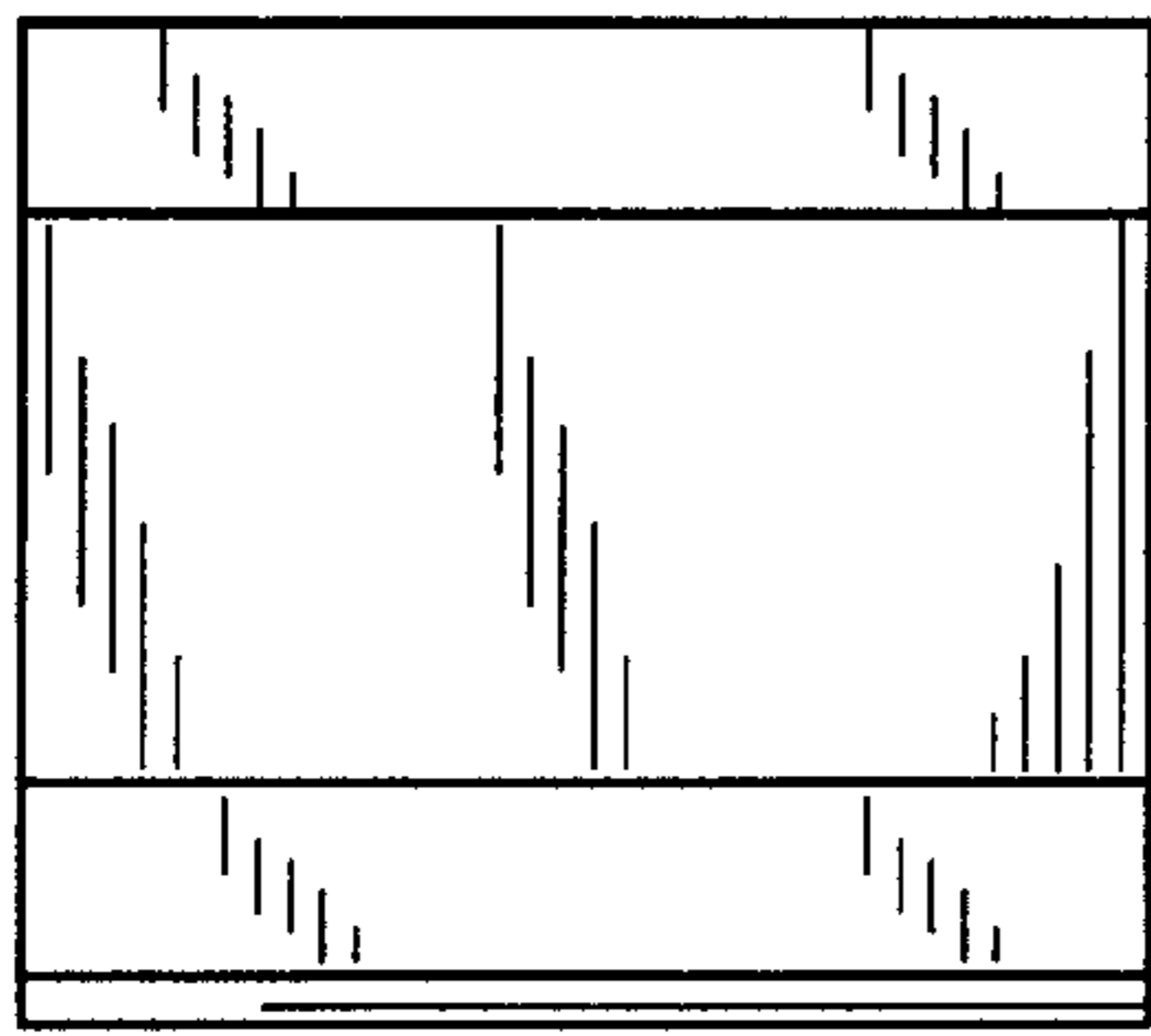


FIG. 3

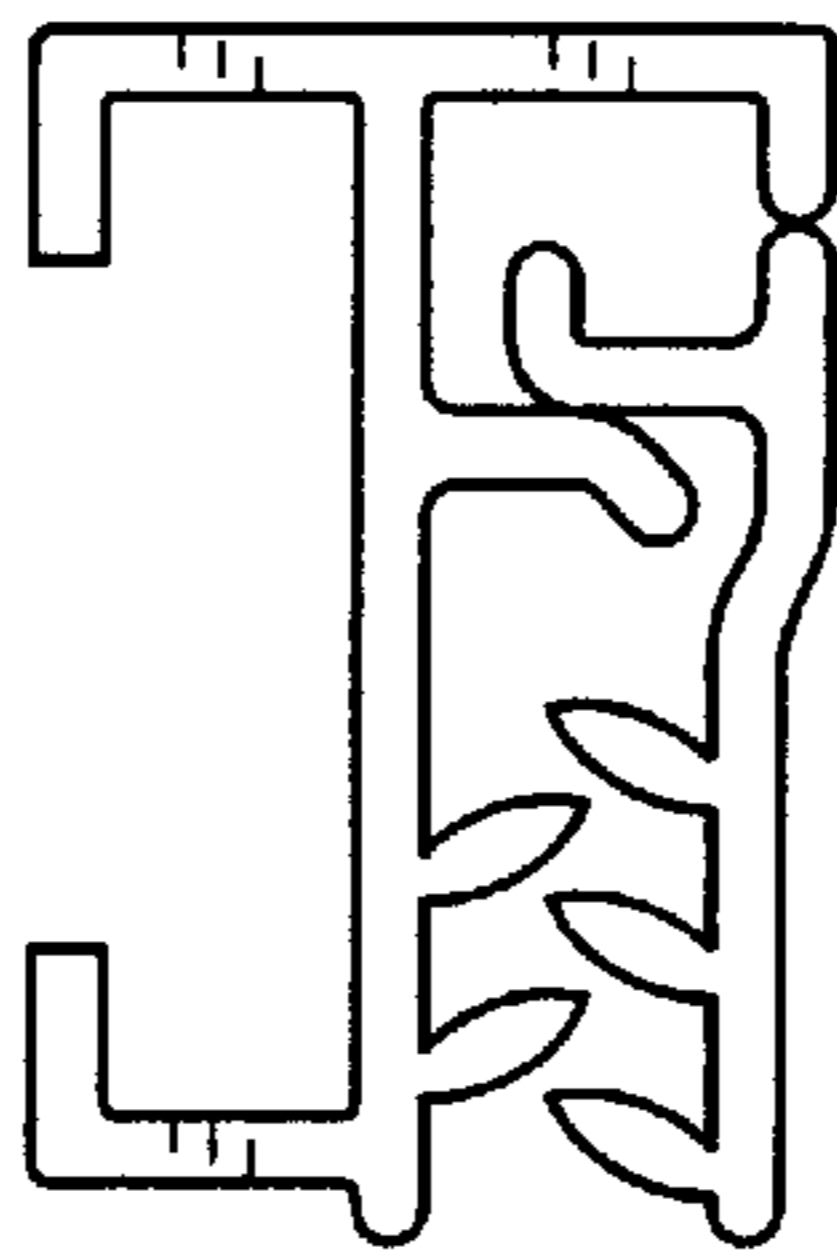


FIG. 6

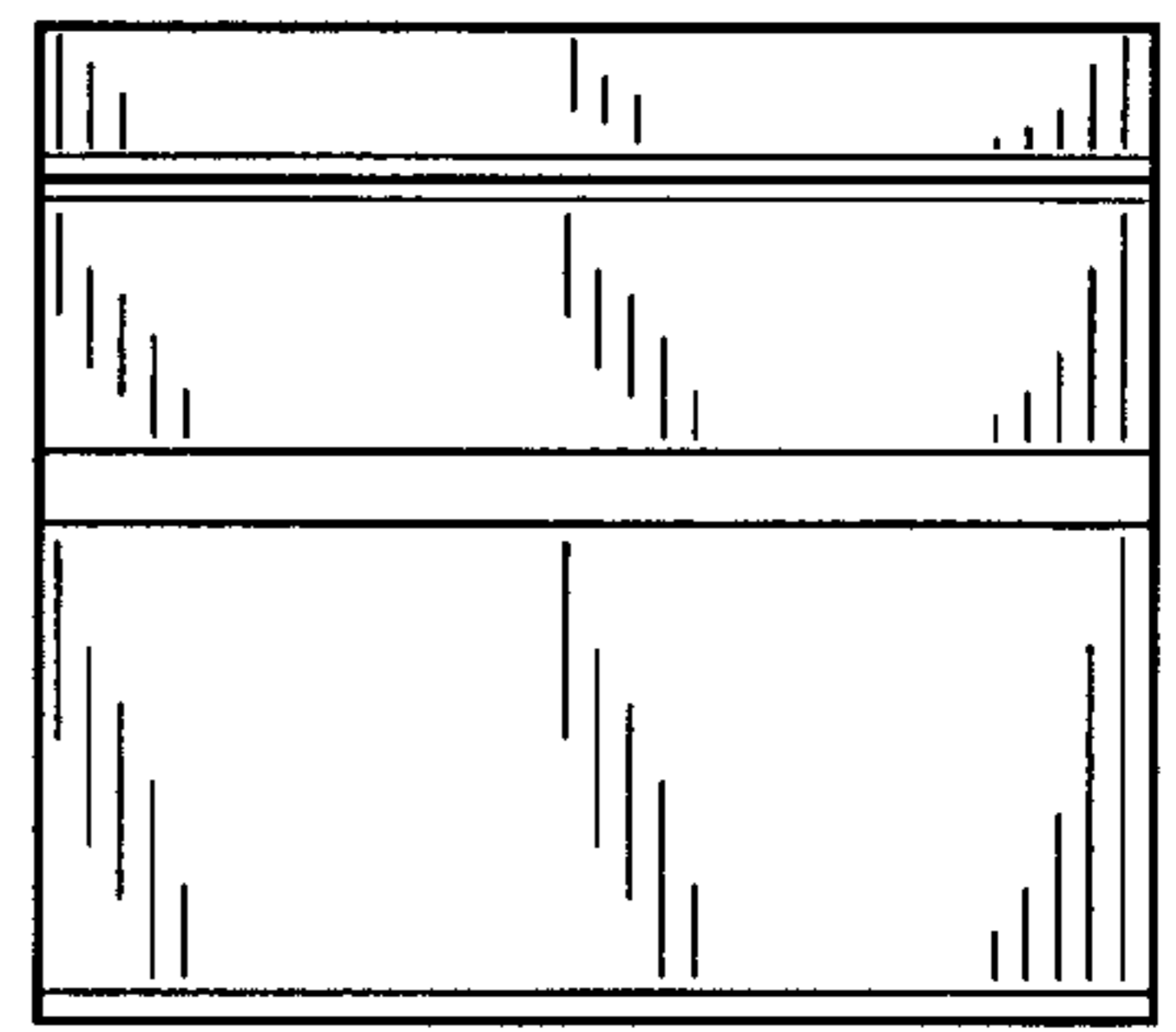


FIG. 2

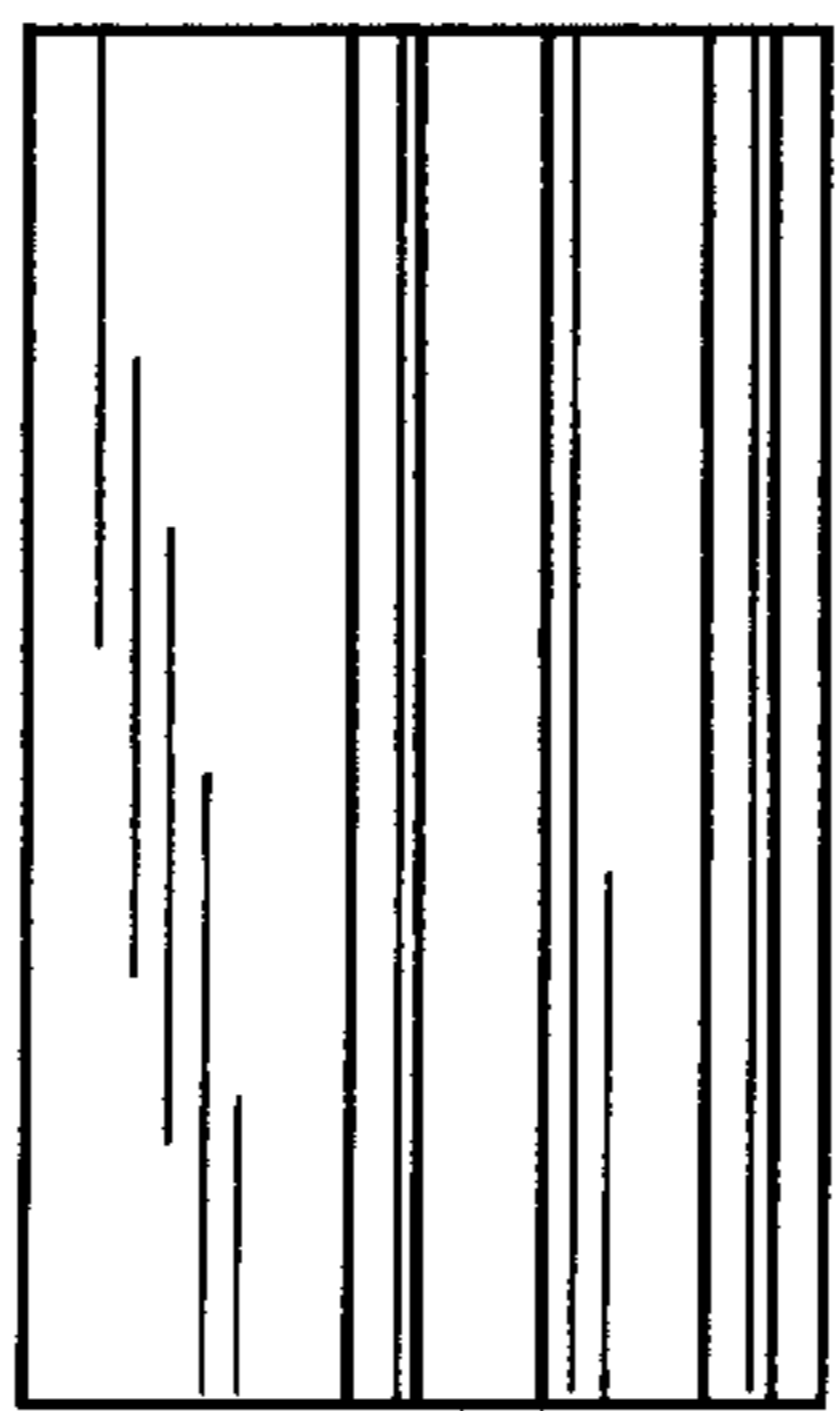


FIG. 5