



US00D480948S

(12) **United States Design Patent**  
**Patrizzi et al.**

(10) **Patent No.:** **US D480,948 S**

(45) **Date of Patent:** **\*\* Oct. 21, 2003**

(54) **MOUNTING BRACKET FOR MOUNTING A CASHLESS PAYMENT TERMINAL TO A VENDING MACHINE**

(75) Inventors: **Barry J. Patrizzi**, Cherry Hill, NJ (US); **H. Brock Kolls**, Pottstown, PA (US); **Stephen Luce**, Media, PA (US)

(73) Assignee: **USA Technologies, Inc.**, Wayne, PA (US)

(\*\*) Term: **14 Years**

(21) Appl. No.: **29/167,844**

(22) Filed: **Sep. 20, 2002**

(51) **LOC (7) Cl.** ..... **08-05**

(52) **U.S. Cl.** ..... **D8/373; D8/354**

(58) **Field of Search** ..... D8/349, 354, 373; 232/15; 221/130; 248/27.1, 300; 194/350, 238

(56) **References Cited**

**U.S. PATENT DOCUMENTS**

4,588,064	A	*	5/1986	Monfredi	.....	194/238
4,732,356	A	*	3/1988	Medlin, Sr.	.....	248/27.1
5,364,074	A	*	11/1994	Gourley	.....	254/375
5,595,362	A	*	1/1997	Rinderer et al.	.....	248/27.1
D452,135	S	*	12/2001	Wyatt et al.	.....	D8/354

\* cited by examiner

*Primary Examiner*—Holly Baynham

(74) *Attorney, Agent, or Firm*—H. Brock Kolls

(57) **CLAIM**

The ornamental design for a mounting bracket for mounting a cashless payment terminal to a vending machine, as shown and described.

**DESCRIPTION**

FIG. 1 is a perspective view of the mounting bracket for mounting a cashless payment terminal to a vending machine with the broken line showing of a payment terminal being for illustrative purposes only and forming no part of the claimed design;

FIG. 2 is a perspective view of the mounting bracket for mounting a cashless payment terminal to a vending machine;

FIG. 3 is a front side plan view of the mounting bracket for mounting a cashless payment terminal to a vending machine;

FIG. 4 is a left side plan view of the mounting bracket for mounting a cashless payment terminal to a vending machine;

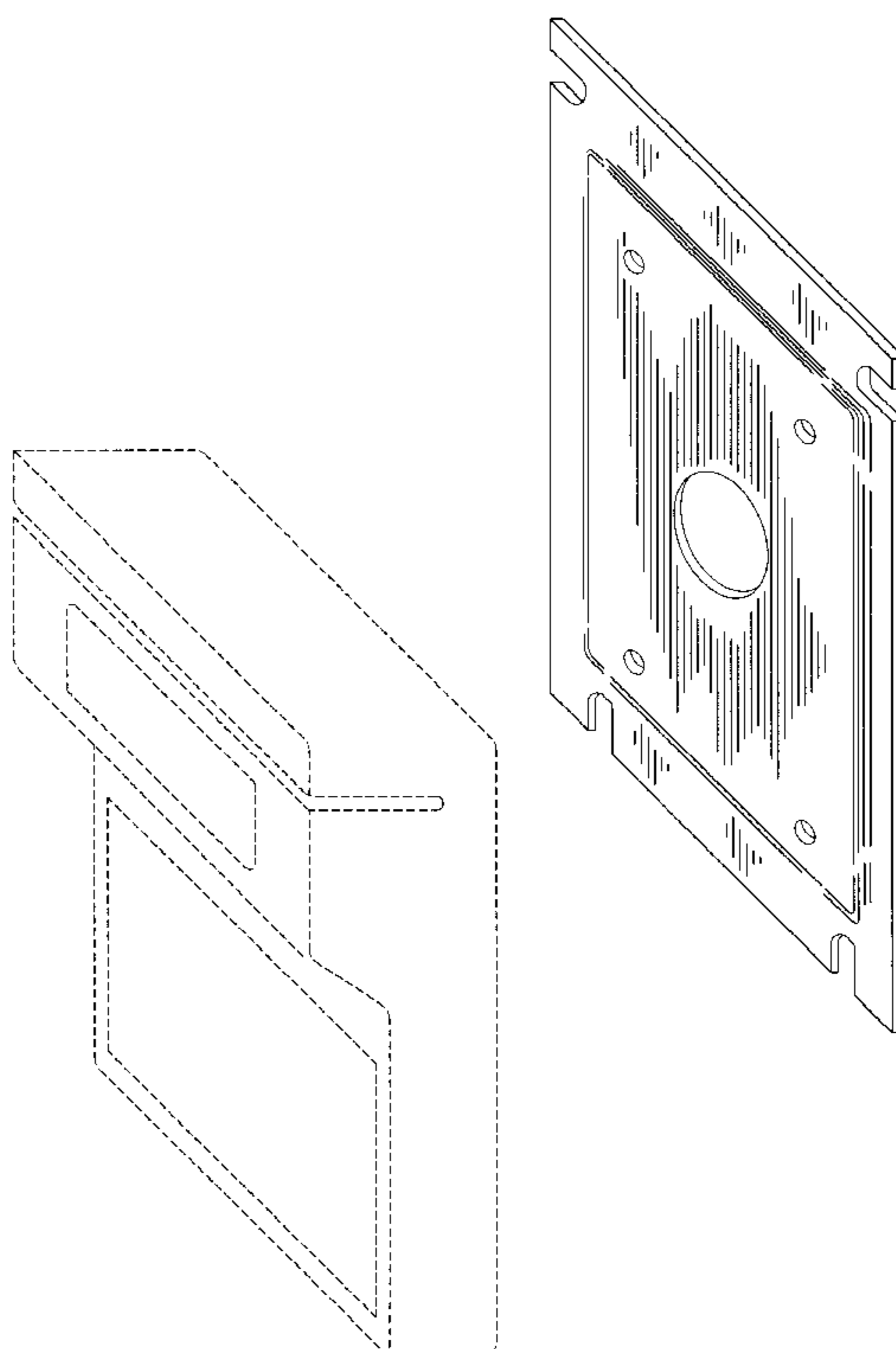
FIG. 5 is a right side plan view of the mounting bracket for mounting a cashless payment terminal to a vending machine;

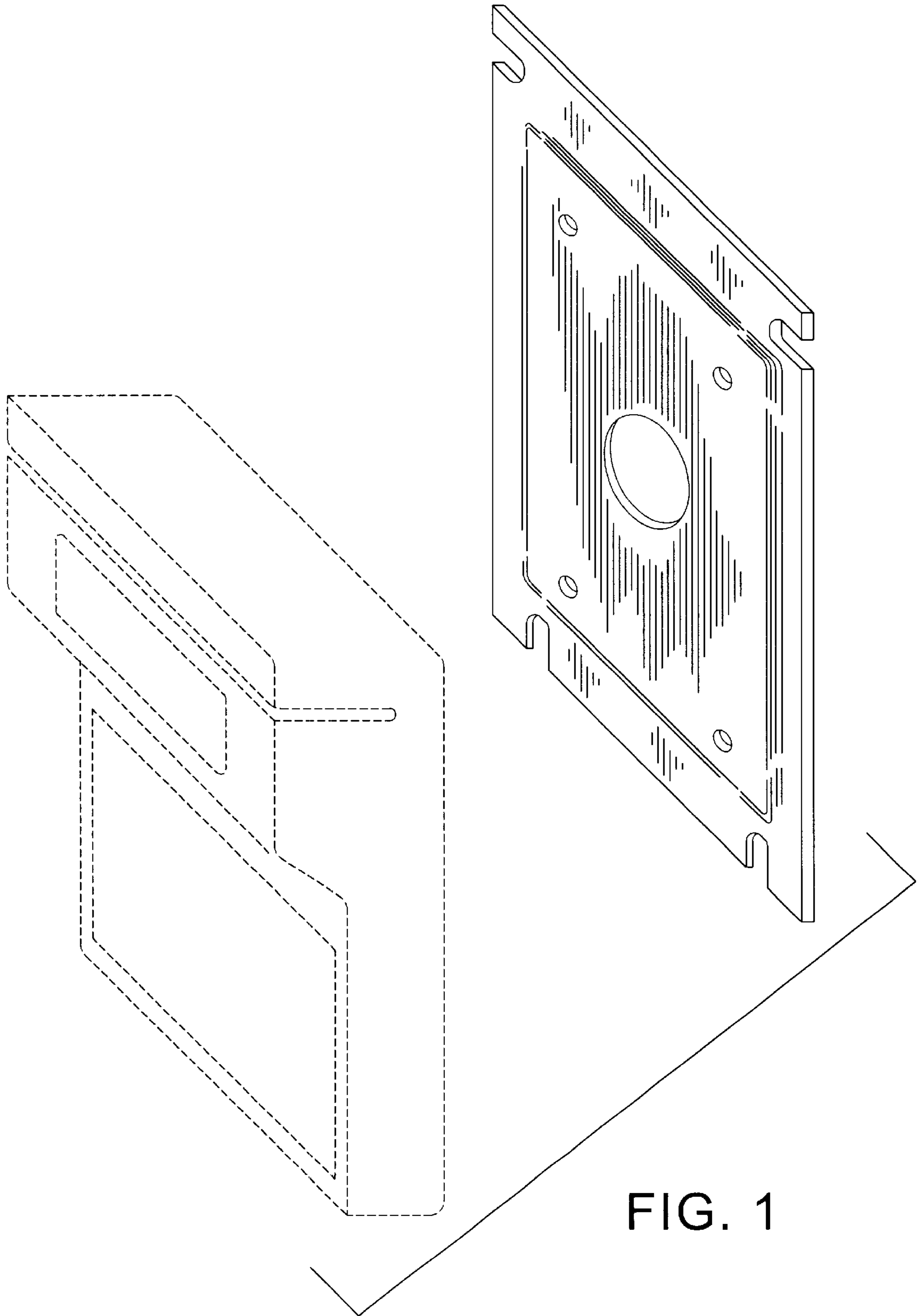
FIG. 6 is a back side plan view of the mounting bracket for mounting a cashless payment terminal to a vending machine;

FIG. 7 is a top side plan view of the mounting bracket for mounting a cashless payment terminal to a vending machine; and,

FIG. 8 is a bottom side plan view of the mounting bracket for mounting a cashless payment terminal to a vending machine.

**1 Claim, 6 Drawing Sheets**





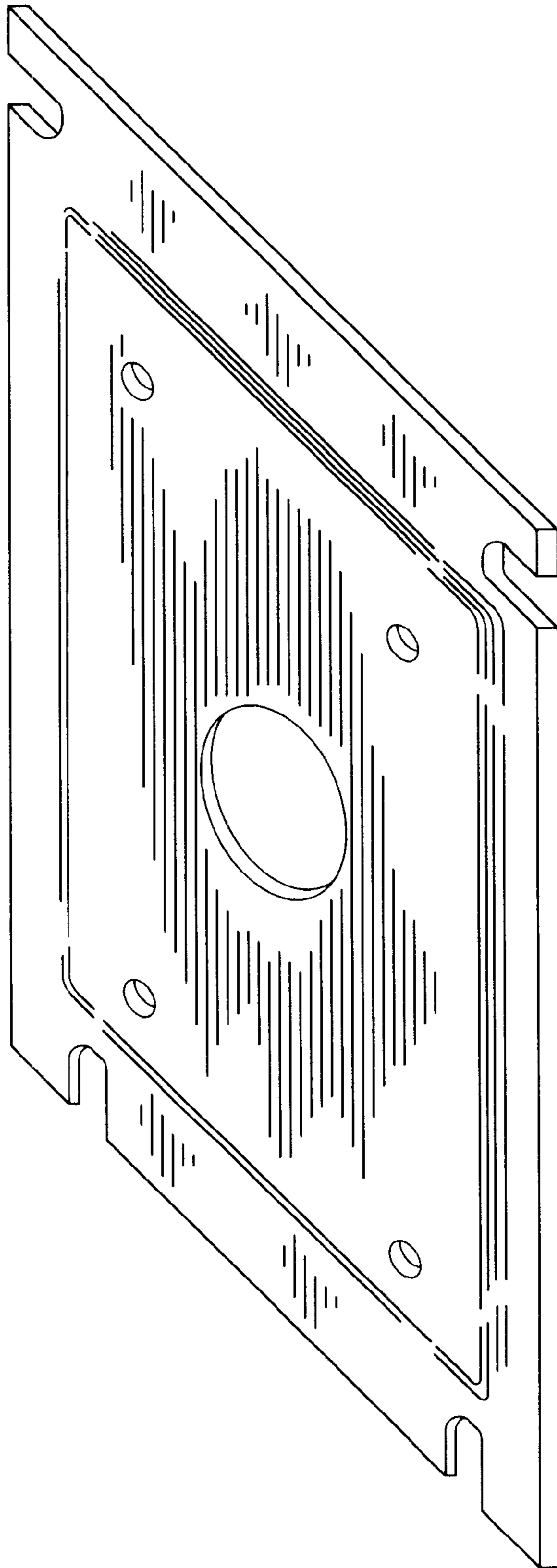


FIG. 2

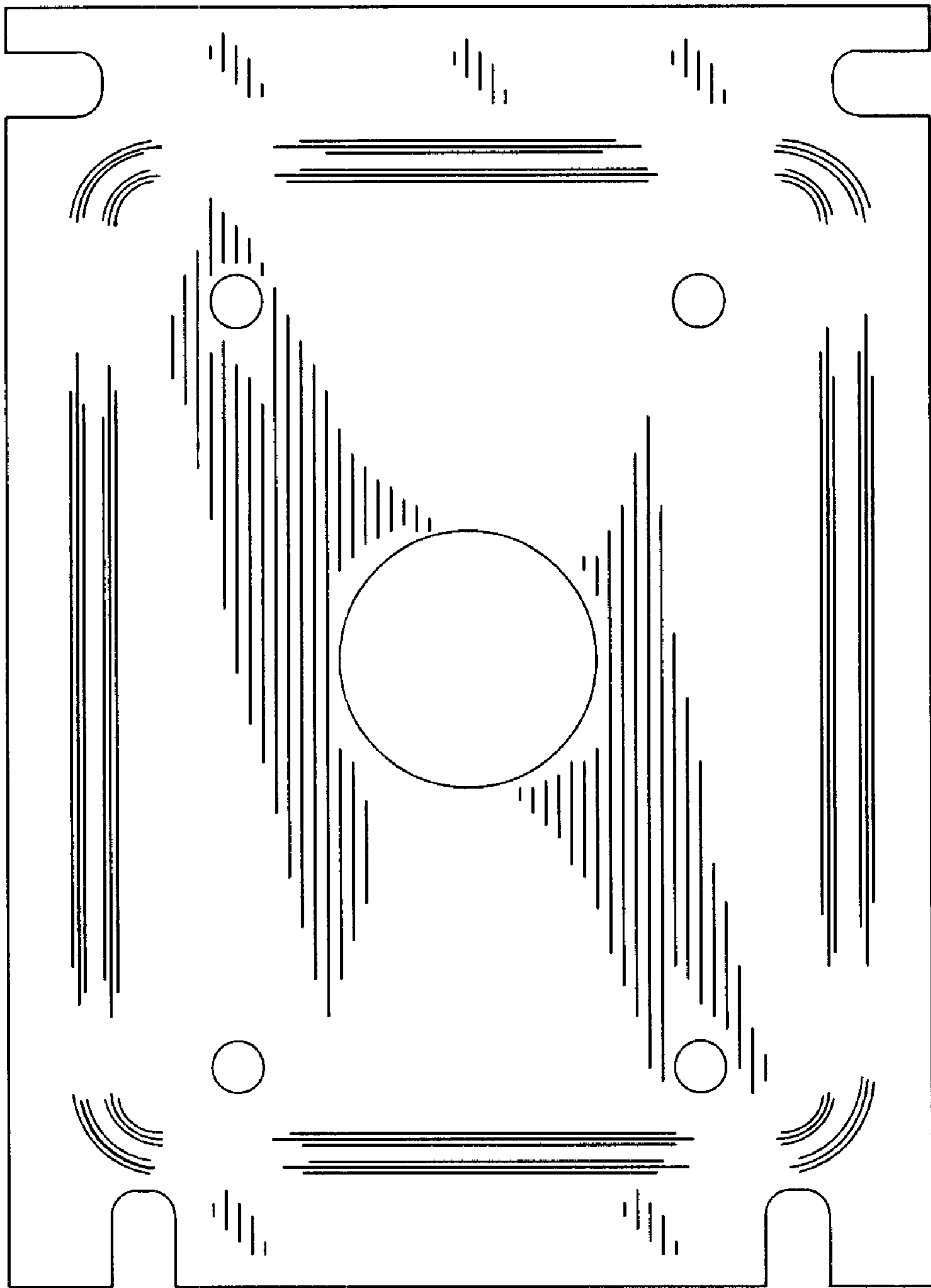


FIG. 3



FIG. 4

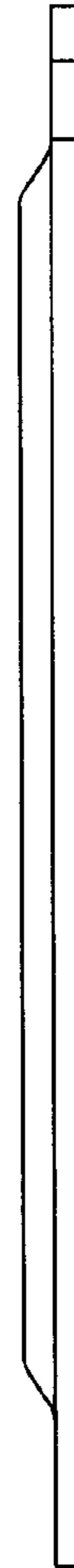


FIG. 5

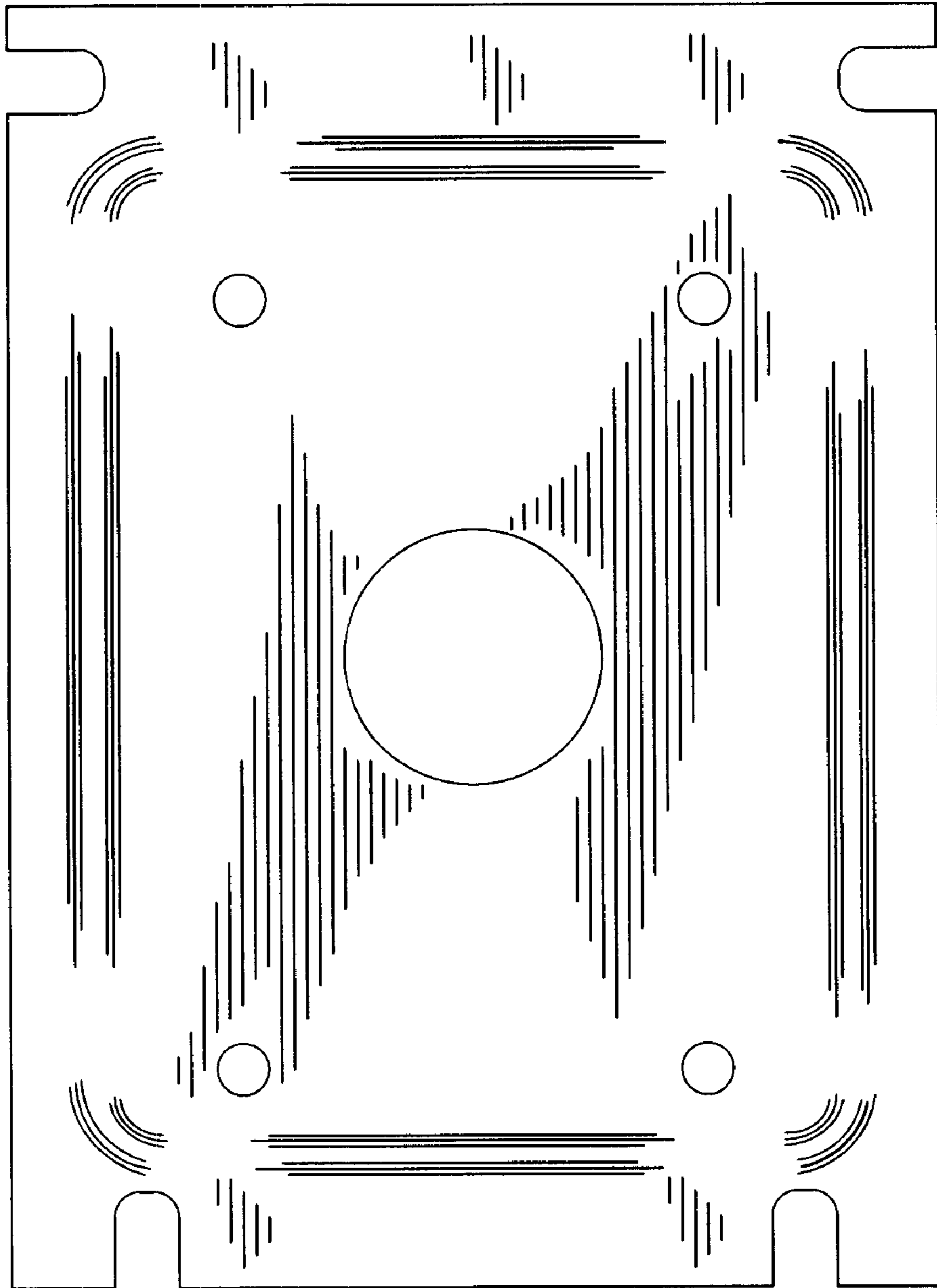


FIG. 6

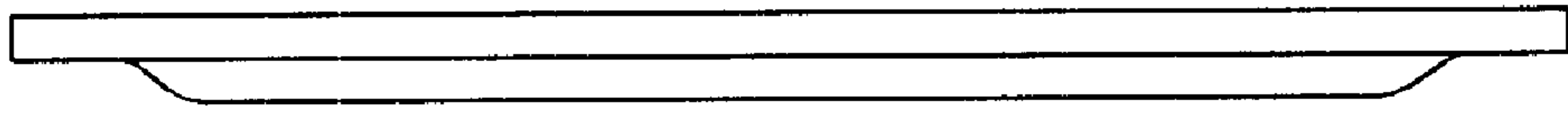


FIG. 7

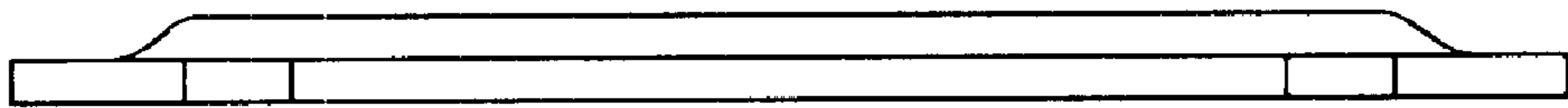


FIG. 8