



US00D480945S

(12) **United States Design Patent**
Snell

(10) **Patent No.:** **US D480,945 S**

(45) **Date of Patent:** **** Oct. 21, 2003**

(54) **OVER THE DOOR VALET**

(75) Inventor: **Russell Benton Snell**, Bentleyville, OH (US)

(73) Assignee: **InterDesign, Inc.**, Solon, OH (US)

(**) Term: **14 Years**

(21) Appl. No.: **29/169,667**

(22) Filed: **Oct. 24, 2002**

(51) **LOC (7) Cl.** **08-05**

(52) **U.S. Cl.** **D8/367**

(58) **Field of Search** D8/367, 363, 372;
D6/323; 160/348, 349.2; 211/106.01, 13.1,
60.1, 66, 113, 123, 118; 248/215, 214,
489, 216.1, 251, 339, 497, 302-304, 231.91;
29/7

(56) **References Cited**

U.S. PATENT DOCUMENTS

D279,450 S	*	7/1985	Chap	D8/363
D336,842 S		6/1993	Hampshire		
D421,713 S		3/2000	Snell		
D422,199 S		4/2000	Snell		
D422,418 S	*	4/2000	Snell	D8/367
D424,816 S		5/2000	Snell		
D425,316 S		5/2000	Snell		
D433,316 S		11/2000	Snell		
D445,669 S	*	7/2001	Goodman et al.	D8/363
D446,108 S		8/2001	Snell		
D463,730 S		10/2002	Snell		

OTHER PUBLICATIONS

InterDesign, Inc. brochure: "storage organization," back cover, 1999.

InterDesign, Inc. brochure: "decorative hardware," pp. 3, 4 and 5, 1999.

* cited by examiner

Primary Examiner—Pamela Burgess

(74) *Attorney, Agent, or Firm*—D. Peter Hochberg; Katherine R. Vieyra; Sean Mellino

(57) **CLAIM**

The ornamental design for an over the door valet, as shown and described.

DESCRIPTION

FIG. 1 is a perspective view of the over the door valet according to the invention;

FIG. 2 is a top view of the over the door valet as shown in FIG. 1;

FIG. 3 is a side view of the over the door valet as shown in FIG. 1;

FIG. 4 is a front view of the over the door valet as shown in FIG. 1;

FIG. 5 is a side view of the over the door valet as shown in FIG. 1, shown from the opposite side of that shown in FIG. 3;

FIG. 6 is a rear view of the over the door valet as shown in FIG. 1; and,

FIG. 7 is a bottom view of the over the door valet as shown in FIG. 1.

1 Claim, 3 Drawing Sheets

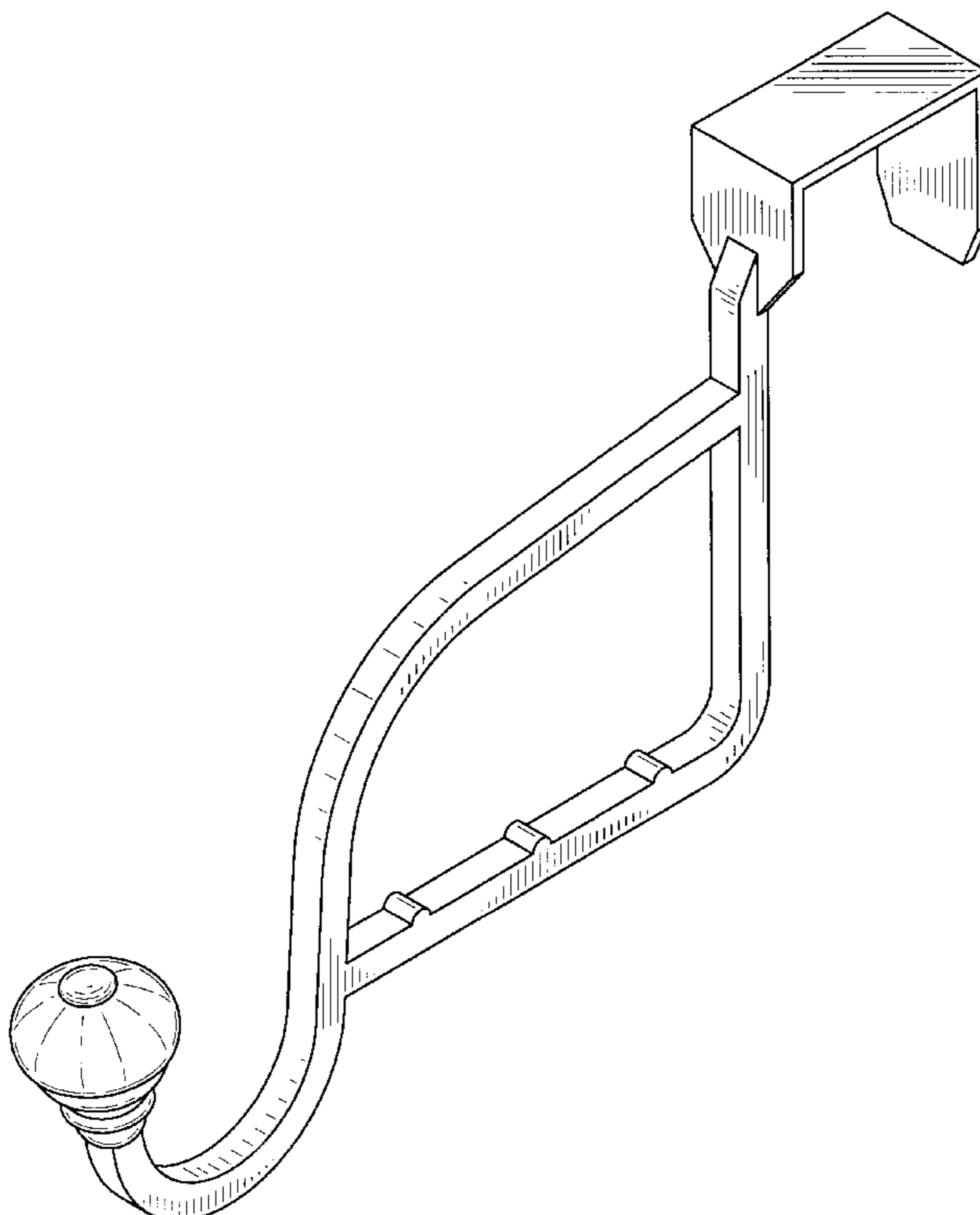
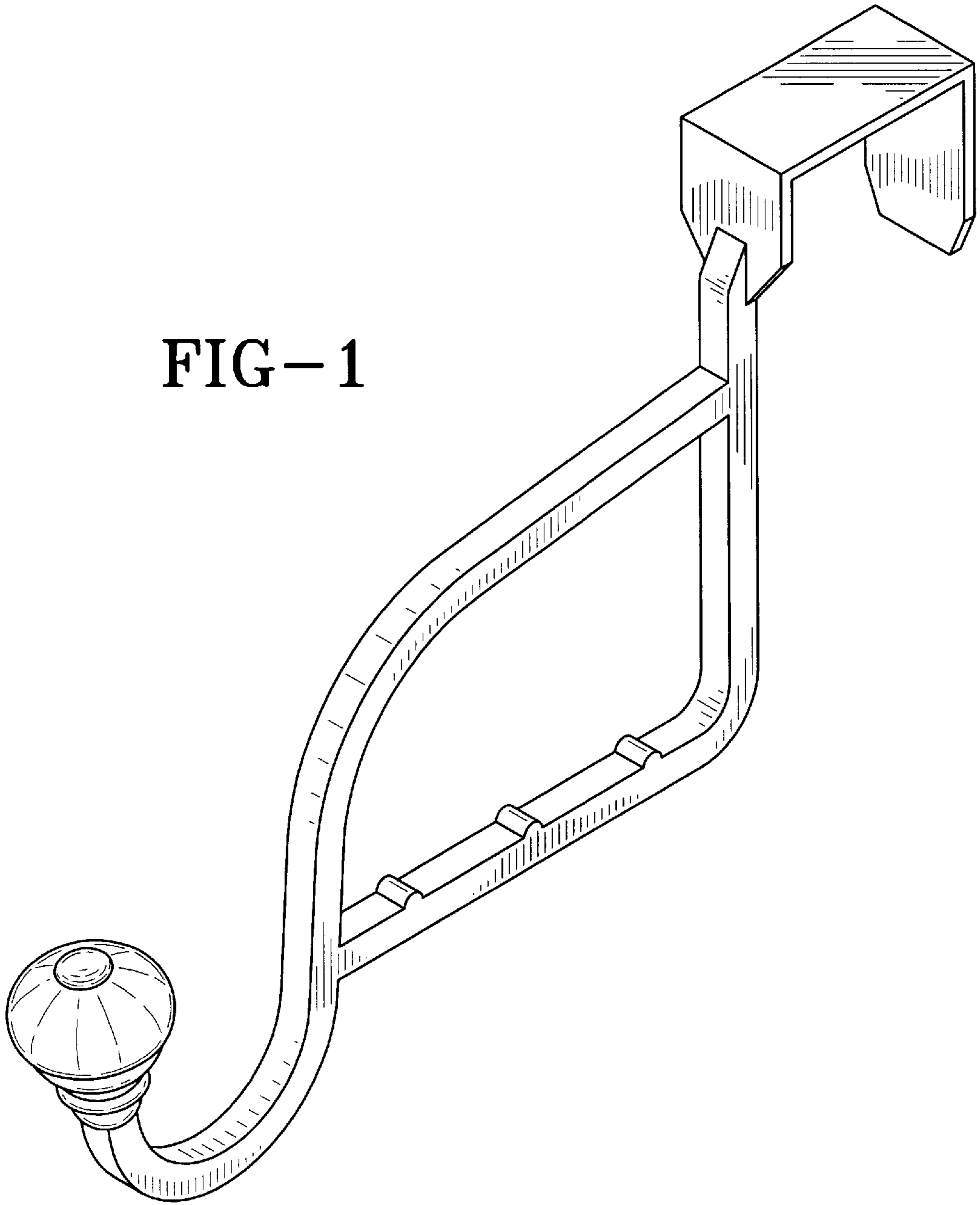


FIG-1



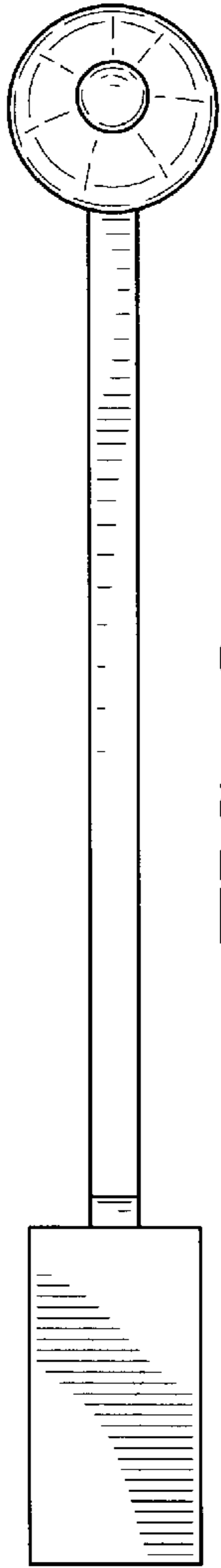


FIG-2

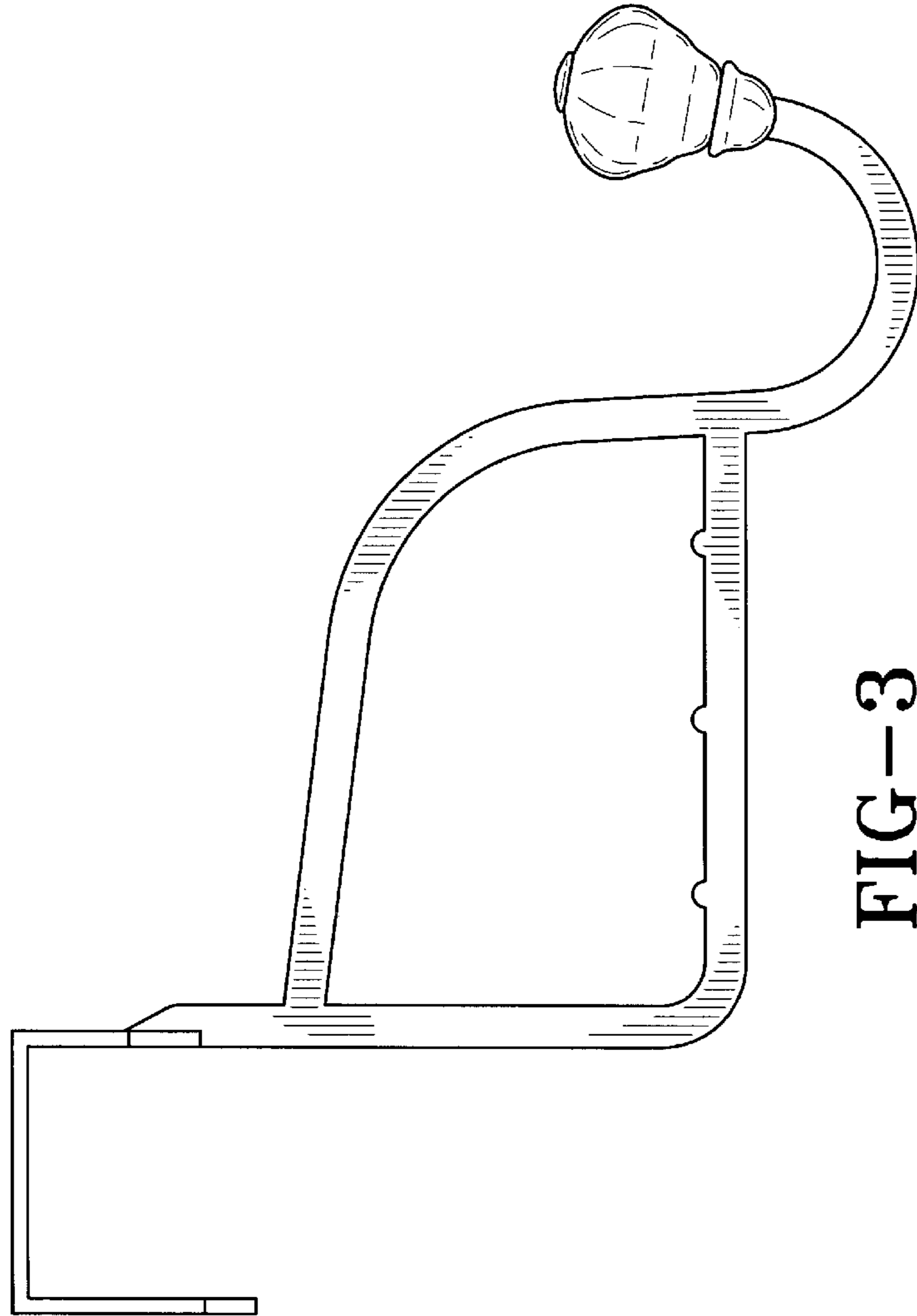


FIG-3

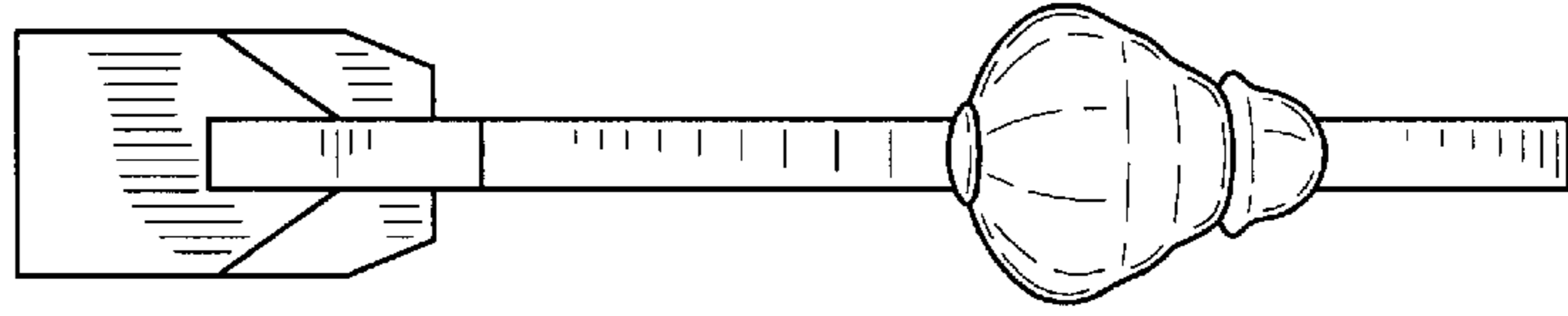


FIG-4

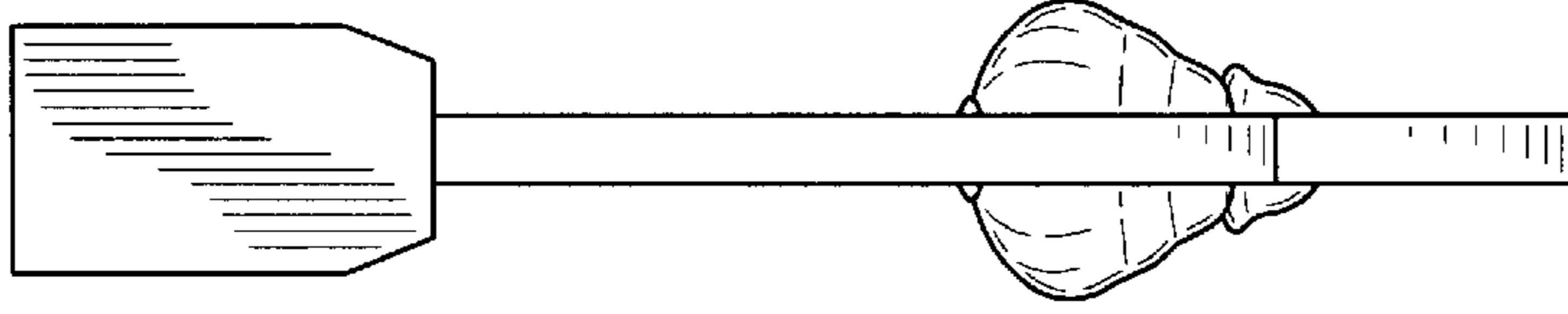


FIG-6

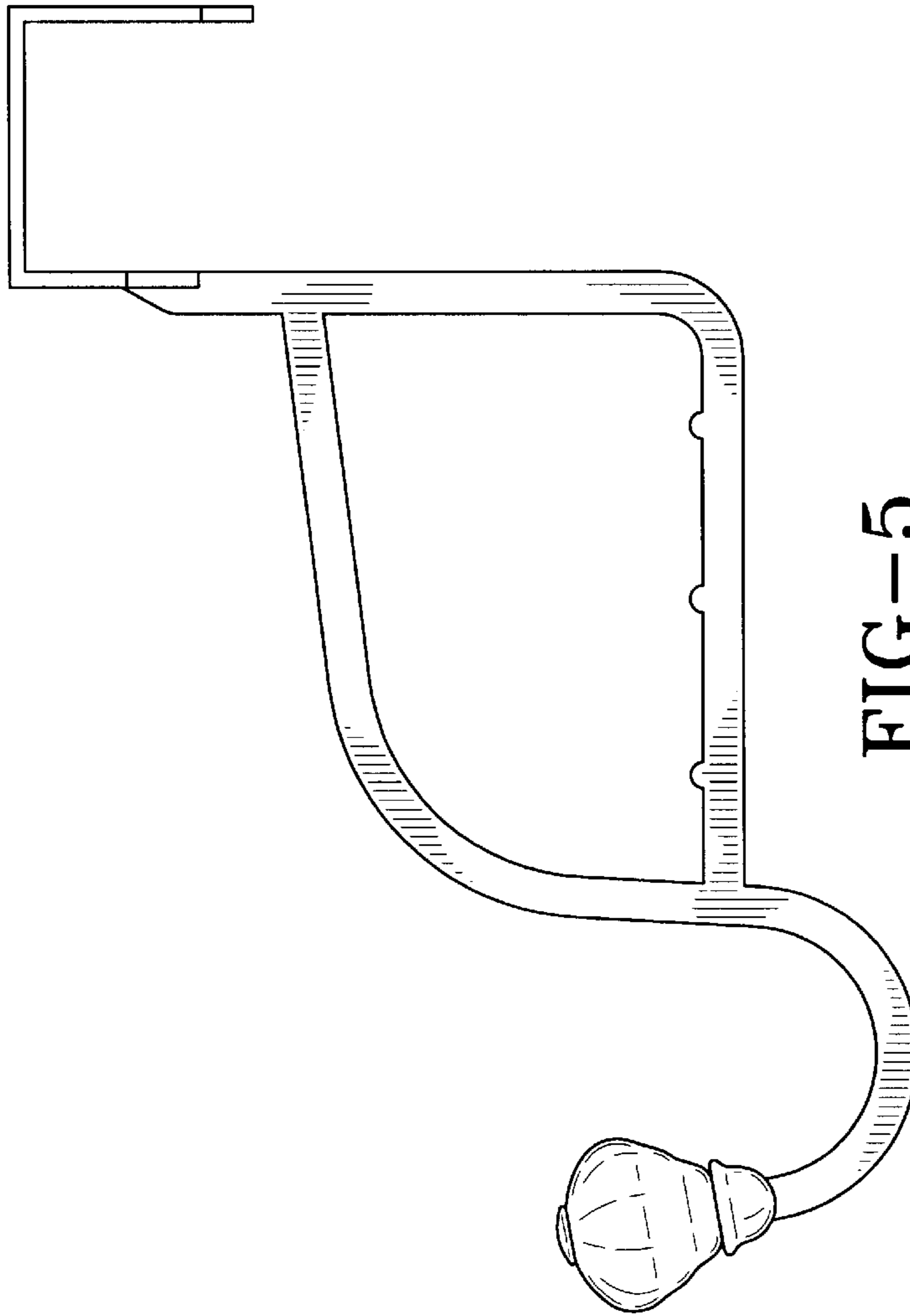


FIG-5

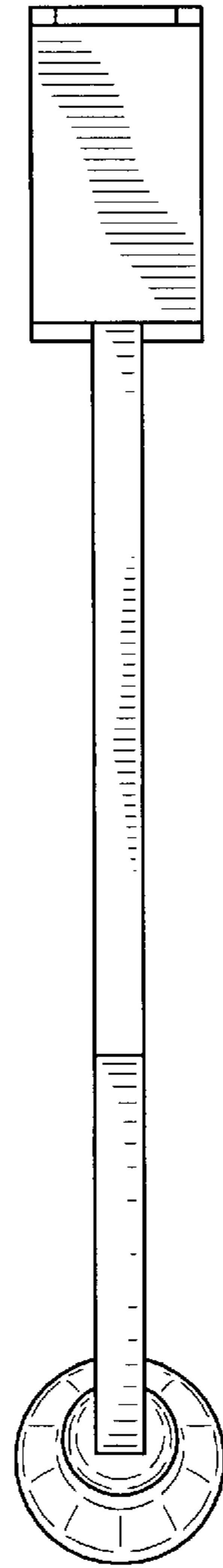


FIG-7