



US00D480940S

(12) **United States Design Patent**
Dallas

(10) **Patent No.:** **US D480,940 S**

(45) **Date of Patent:** **** Oct. 21, 2003**

(54) **MULTI-FUNCTION TOOL**

(75) **Inventor:** **Edgar A. Dallas, Beaverton, OR (US)**

(73) **Assignee:** **Alterra Holdings Corporation, Tigard, OR (US)**

(**) **Term:** **14 Years**

(21) **Appl. No.:** **29/168,299**

(22) **Filed:** **Sep. 30, 2002**

(51) **LOC (7) Cl.** **08-05**

(52) **U.S. Cl.** **D8/105**

(58) **Field of Search** D8/14, 55, 83,
D8/93-94, 104-105, 97, 51-54, 57, 21-23,
85, 87, 99, 107; 7/118, 128-129, 134, 131,
135, 132, 142, 163, 162, 164, 144; 30/169,
123, 154-155, 186, 191; 81/440, 427.5,
416

(56) **References Cited**

U.S. PATENT DOCUMENTS

D149,934 S	*	6/1948	Cobb	D8/55
2,446,022 A		7/1948	Peterson	81/47
5,062,173 A		11/1991	Collins et al.	7/118
5,267,366 A		12/1993	Frazer	7/128
5,491,856 A		2/1996	Legg	7/128
D394,789 S	*	6/1998	Futo et al.	D8/22
D407,286 S		3/1999	Seber et al.	D8/55
D407,287 S		3/1999	Seber et al.	D8/55
D407,616 S		4/1999	Seber	D8/55
D410,369 S		6/1999	Yeh	D8/55
5,916,277 A		6/1999	Dallas	7/128
5,920,935 A		7/1999	Beck	7/128
5,964,131 A		10/1999	Seber et al.	81/427.5
5,970,553 A	*	10/1999	Lin	7/143

5,996,451 A	12/1999	Seber et al.	81/427.5
6,109,147 A	8/2000	Legg	81/440
6,119,561 A	9/2000	Anderson et al.	81/440
6,182,541 B1	2/2001	Anderson et al.	81/440
6,185,771 B1	2/2001	Trusty, Sr.	7/128
6,273,582 B1	8/2001	Taggart et al.	362/119
6,298,756 B1	10/2001	Anderson et al.	81/440
D450,229 S	* 11/2001	Lin	D8/107
6,318,218 B1	11/2001	Anderson et al.	81/440
6,341,423 B1	1/2002	Taggart et al.	30/169
D454,039 S	3/2002	Allen	D8/55
6,389,625 B1	5/2002	Rivera	7/128

* cited by examiner

Primary Examiner—Nelson C. Holtje

(74) *Attorney, Agent, or Firm*—Foley & Lardner

(57) **CLAIM**

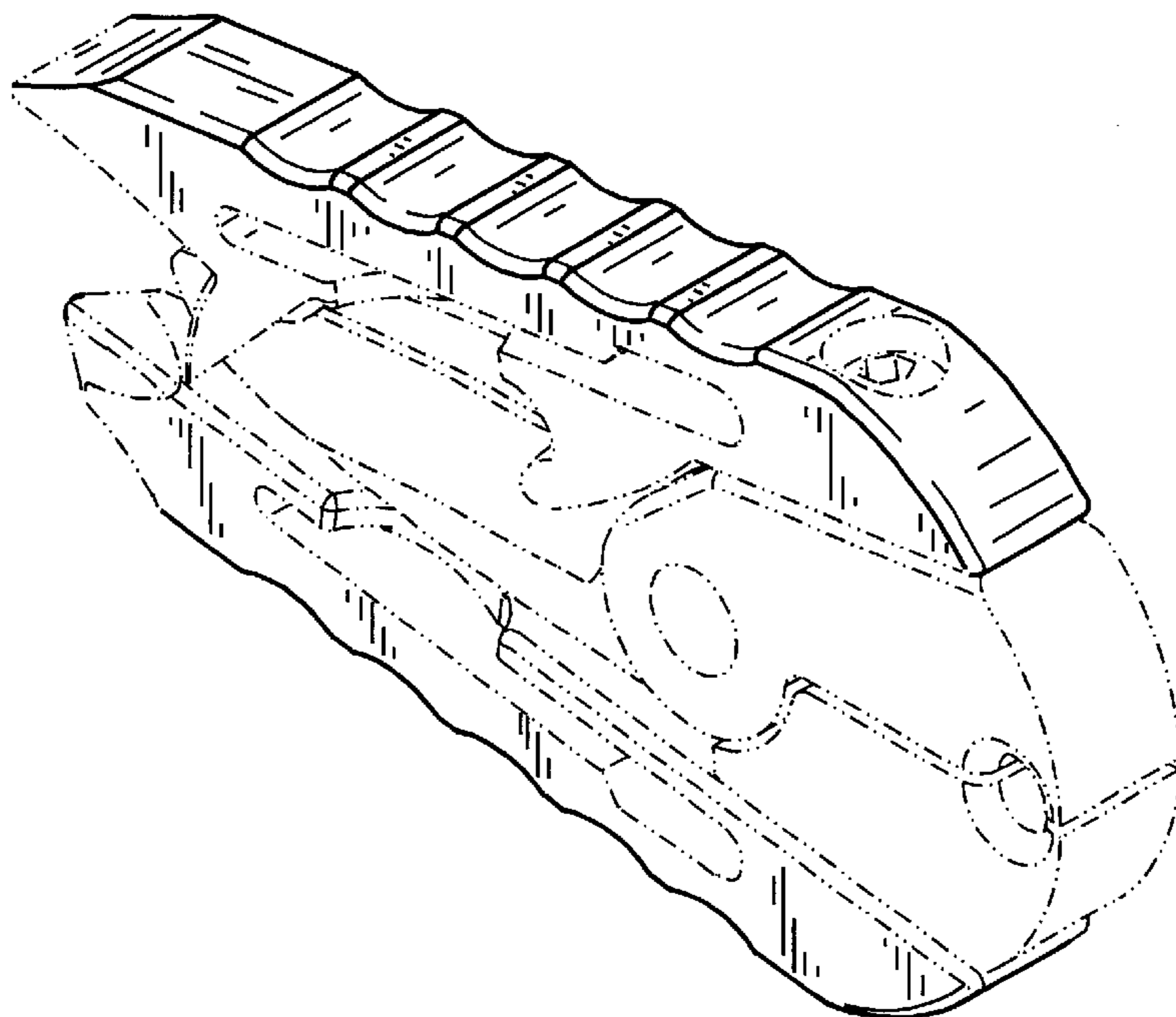
I claim the ornamental design for a multi-function tool, as shown and described.

DESCRIPTION

FIG. 1 is a perspective view of a multi-function tool; FIG. 2 is a front elevation view of the tool shown in FIG. 1; FIG. 3 is a rear elevation view of the tool shown in FIG. 1; FIG. 4 is a right side view of the tool shown in FIG. 1; FIG. 5 is a left side of the tool shown in FIG. 1; FIG. 6 is a top view of the tool shown in FIG. 1; FIG. 7 is a bottom view of the tool shown in FIG. 1; and, FIG. 8 is a front elevation view of the tool shown in FIG. 1 in an open configuration.

The ornamental design which is claimed is shown in solid lines in the drawings. The broken lines in the drawings are for illustrative purposes only and form no part of the claimed design.

1 Claim, 3 Drawing Sheets



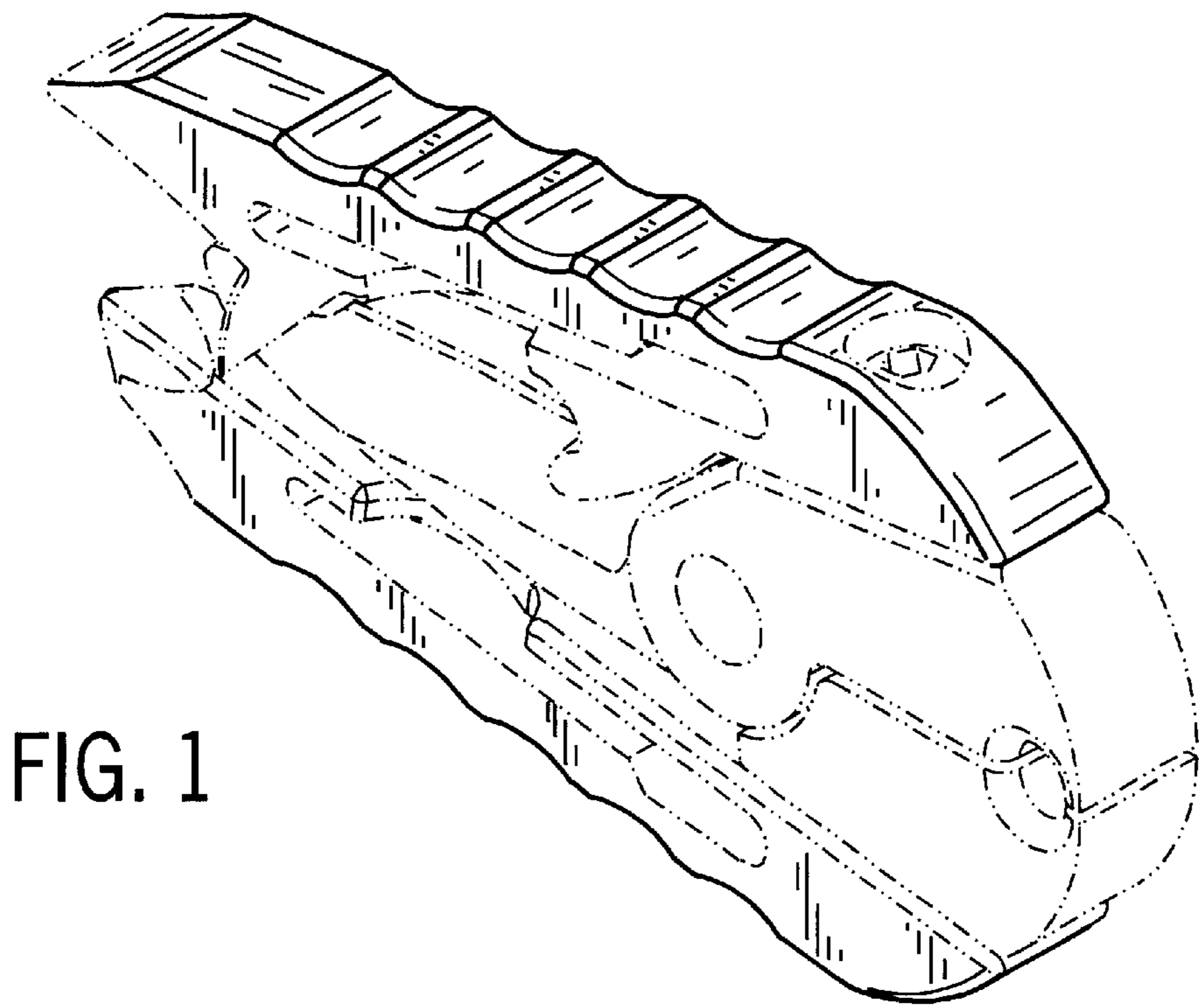


FIG. 1

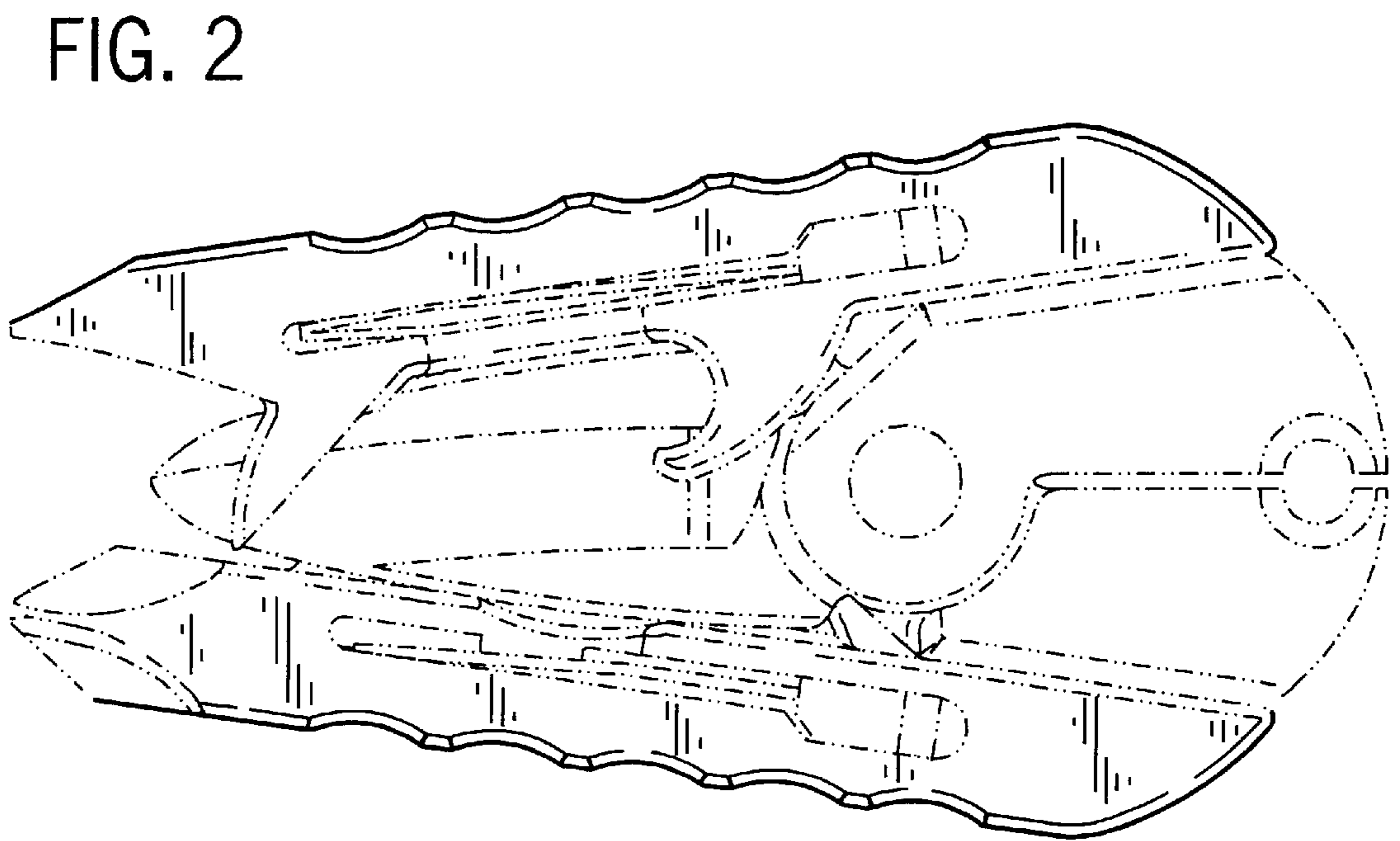


FIG. 2

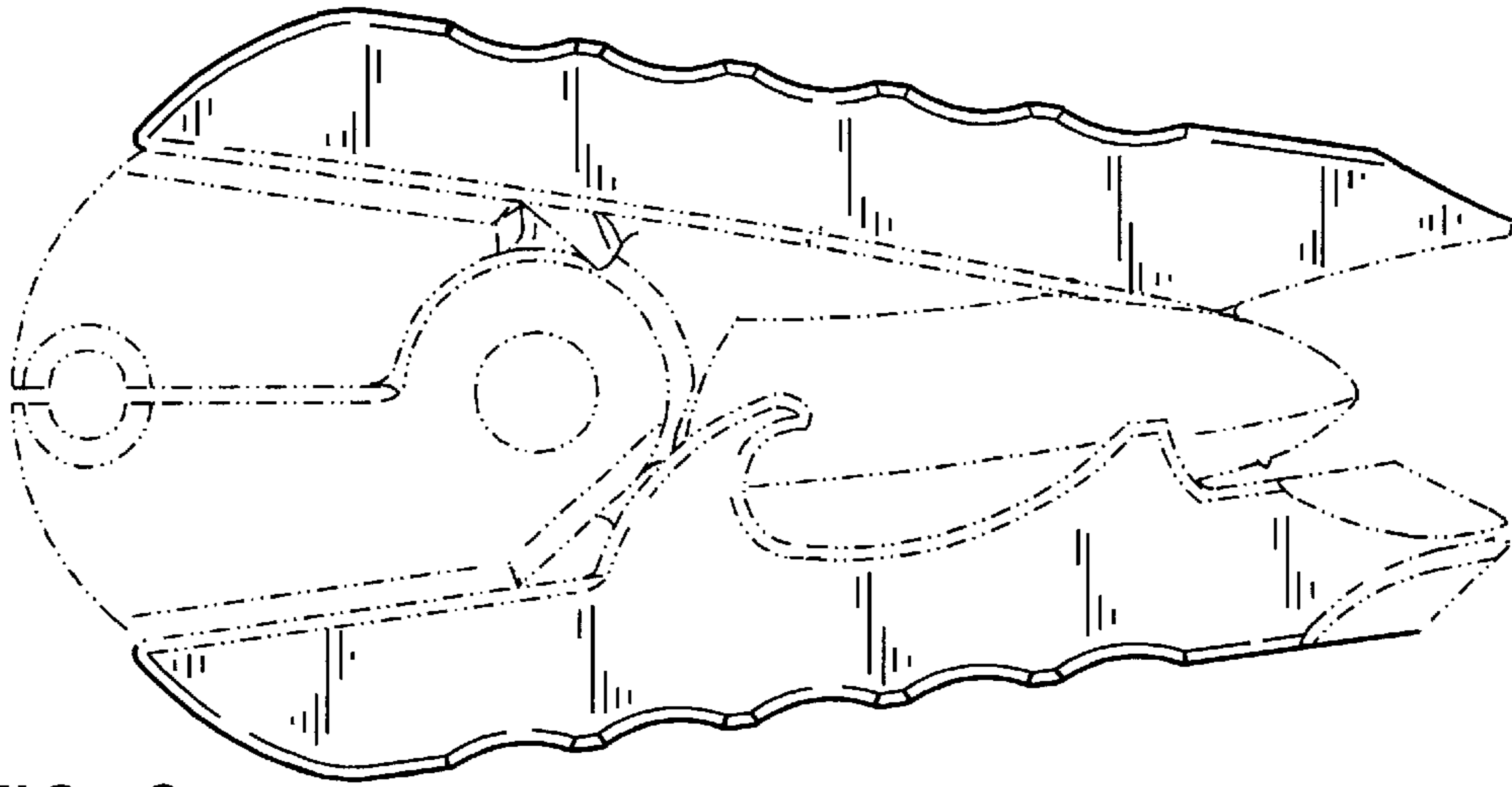


FIG. 3



FIG. 4

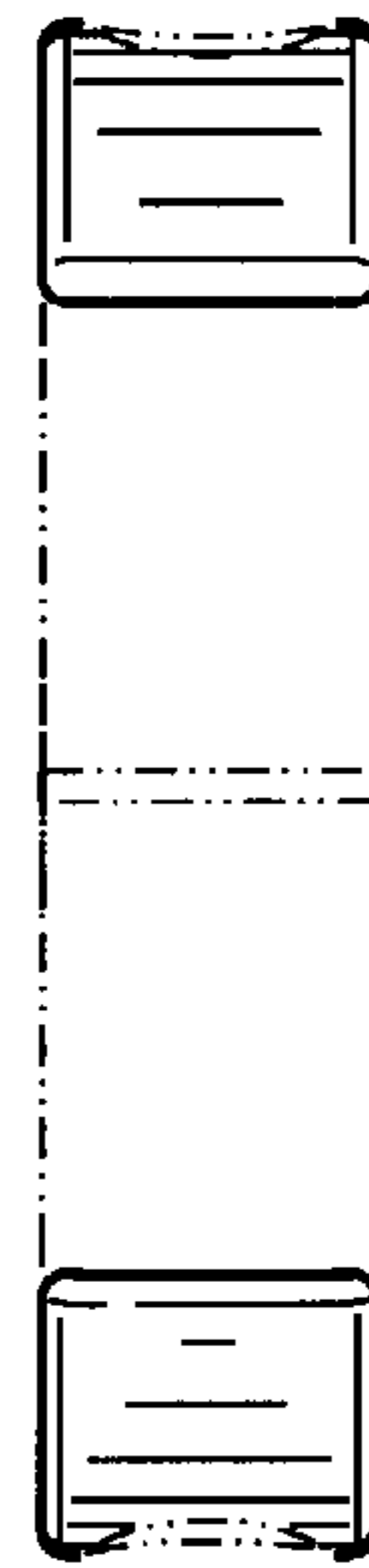


FIG. 5

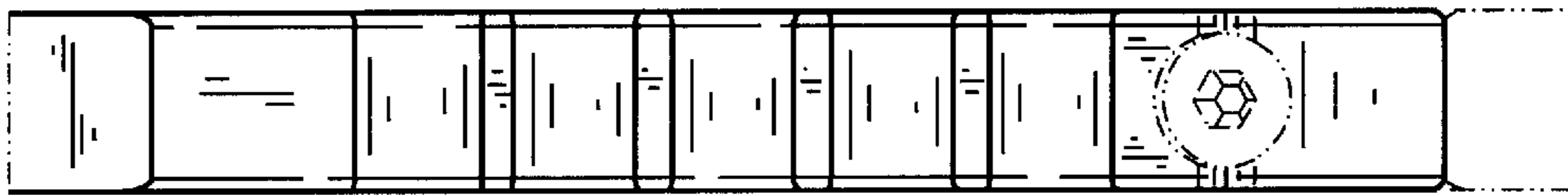


FIG. 6

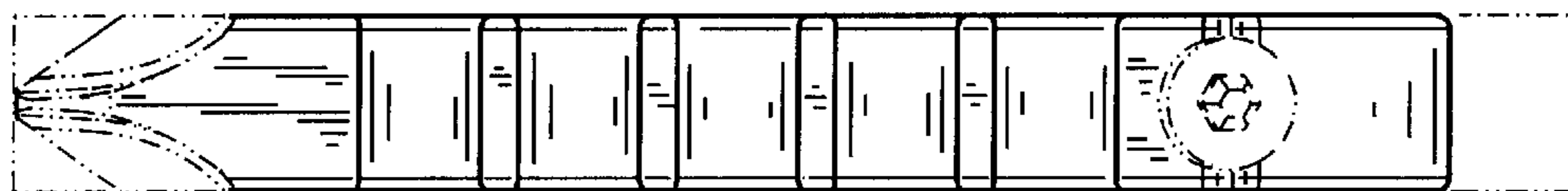


FIG. 7

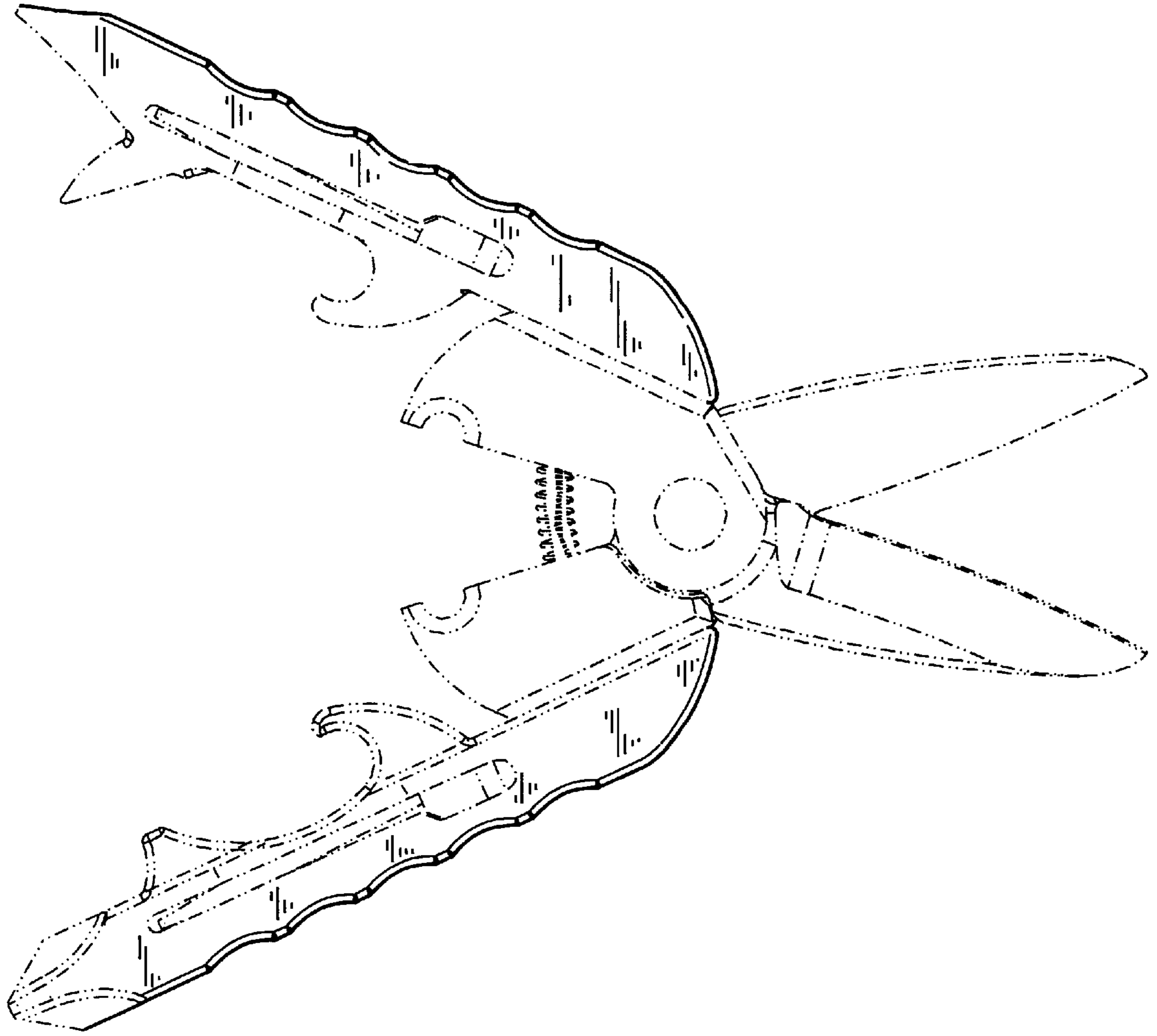


FIG. 8