



US00D480938S

(12) **United States Design Patent**
Whitley

(10) **Patent No.:** **US D480,938 S**

(45) **Date of Patent:** **** Oct. 21, 2003**

(54) **TOOL STAND**

(76) **Inventor:** **Odell Cornelia Whitley**, 2855 Joann
Dr., Richmond, CA (US) 94806

(**) **Term:** **14 Years**

(21) **Appl. No.:** **29/154,951**

(22) **Filed:** **Jan. 31, 2002**

(51) **LOC (7) Cl.** **08-05**

(52) **U.S. Cl.** **D8/71**

(58) **Field of Search** D28/61, 73, 76;
D6/457, 461, 466, 469, 534; D19/81, 84,
85; D4/199; 211/69, 69.1-69.5, 70, 70.1,
70.2, 70.6, 70.7, 163; D3/201, 206, 315;
D8/71, 354, 373; 224/101; 433/77, 79;
248/131

(56) **References Cited**

U.S. PATENT DOCUMENTS

319,176 A * 6/1885 Bennett 211/65
D171,847 S * 3/1954 Erbguth D19/85
D234,381 S * 2/1975 Berger D6/469

D263,780 S * 4/1982 Hildebrand et al. D6/457
D341,276 S * 11/1993 Jones D6/457
D418,706 S * 1/2000 Robishaw D6/534

* cited by examiner

Primary Examiner—Louis S. Zarfaz
Assistant Examiner—Deanne Levy
(74) *Attorney, Agent, or Firm*—Jack Lo

(57) **CLAIM**

The ornamental design for a tool stand, as shown and described.

DESCRIPTION

FIG. 1 is a front perspective view of a tool stand showing my new design.

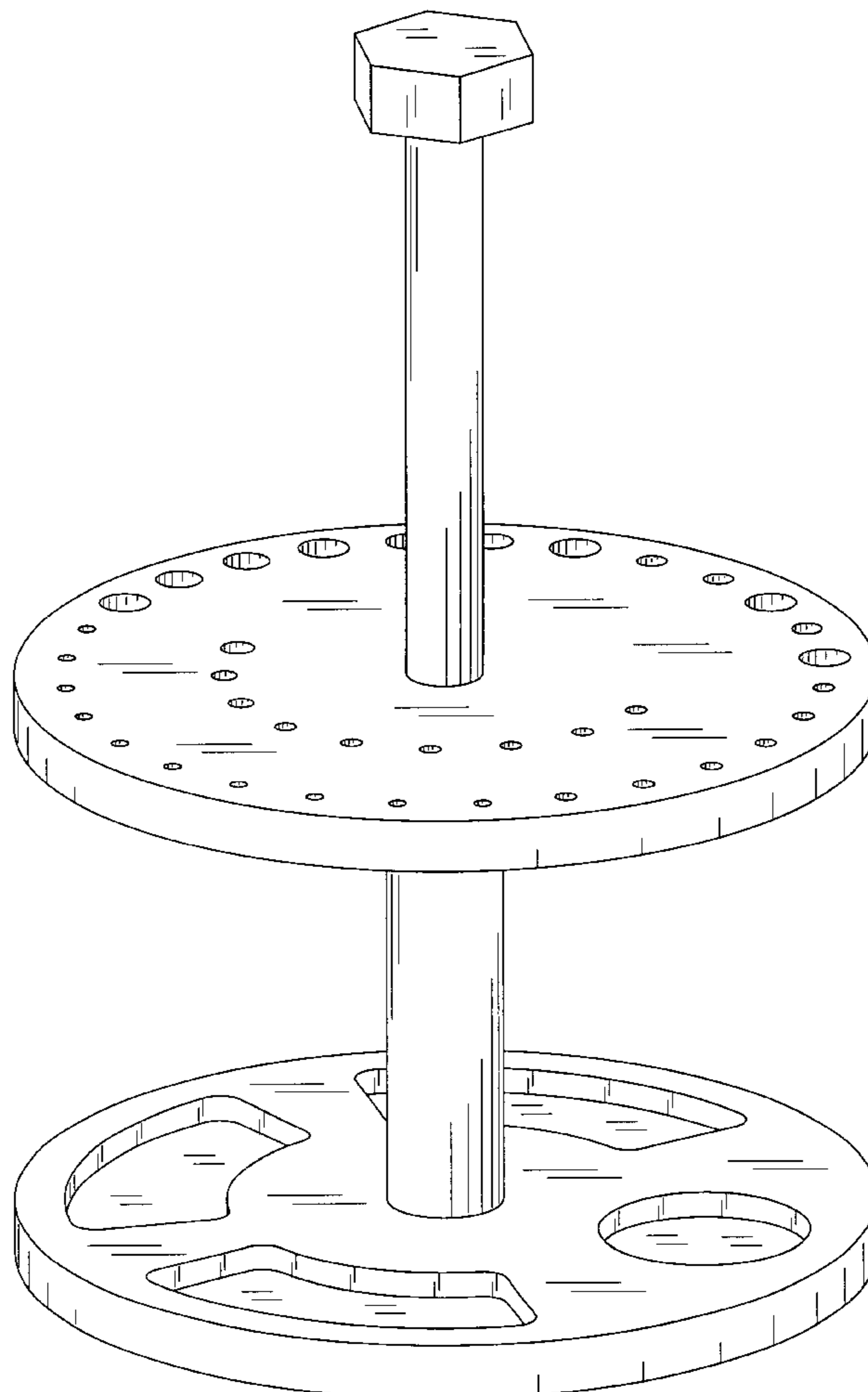
FIG. 2 is a front view thereof; the rear view is a mirror image of the front view.

FIG. 3 is a right view thereof; the left view is a mirror image of the right view.

FIG. 4 is a top view thereof; and,

FIG. 5 is a bottom view thereof.

1 Claim, 5 Drawing Sheets



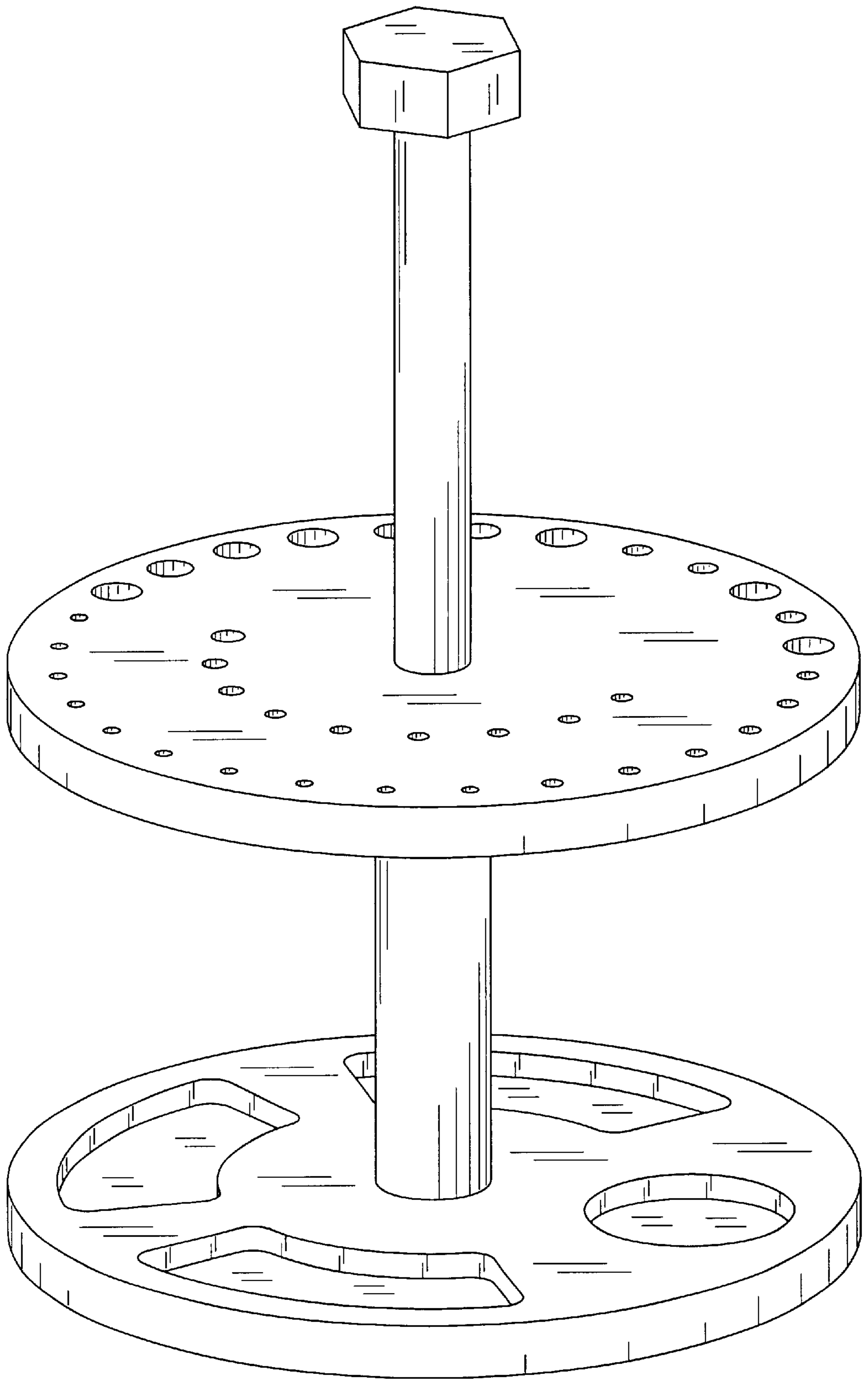


Fig. 1

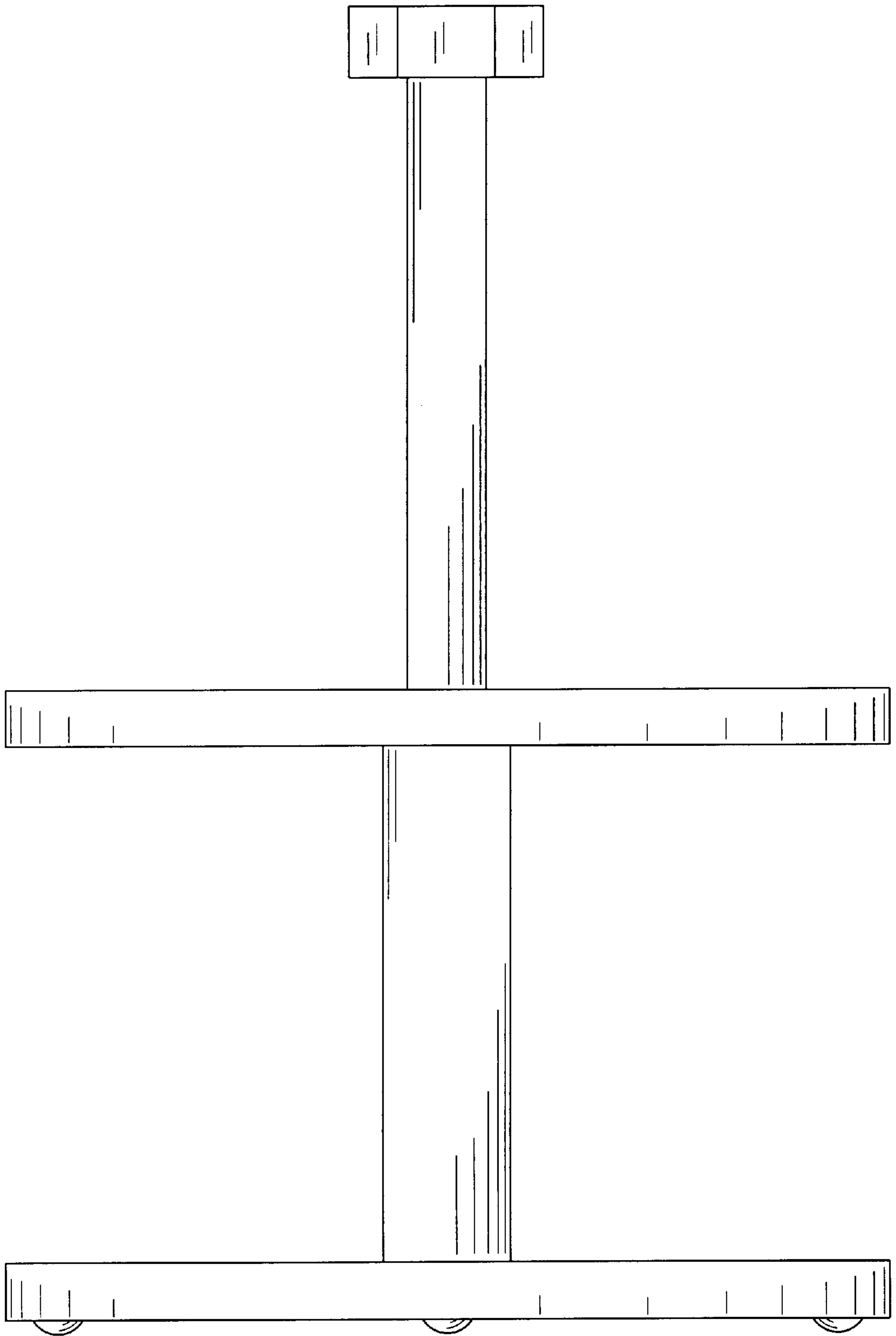


Fig. 2

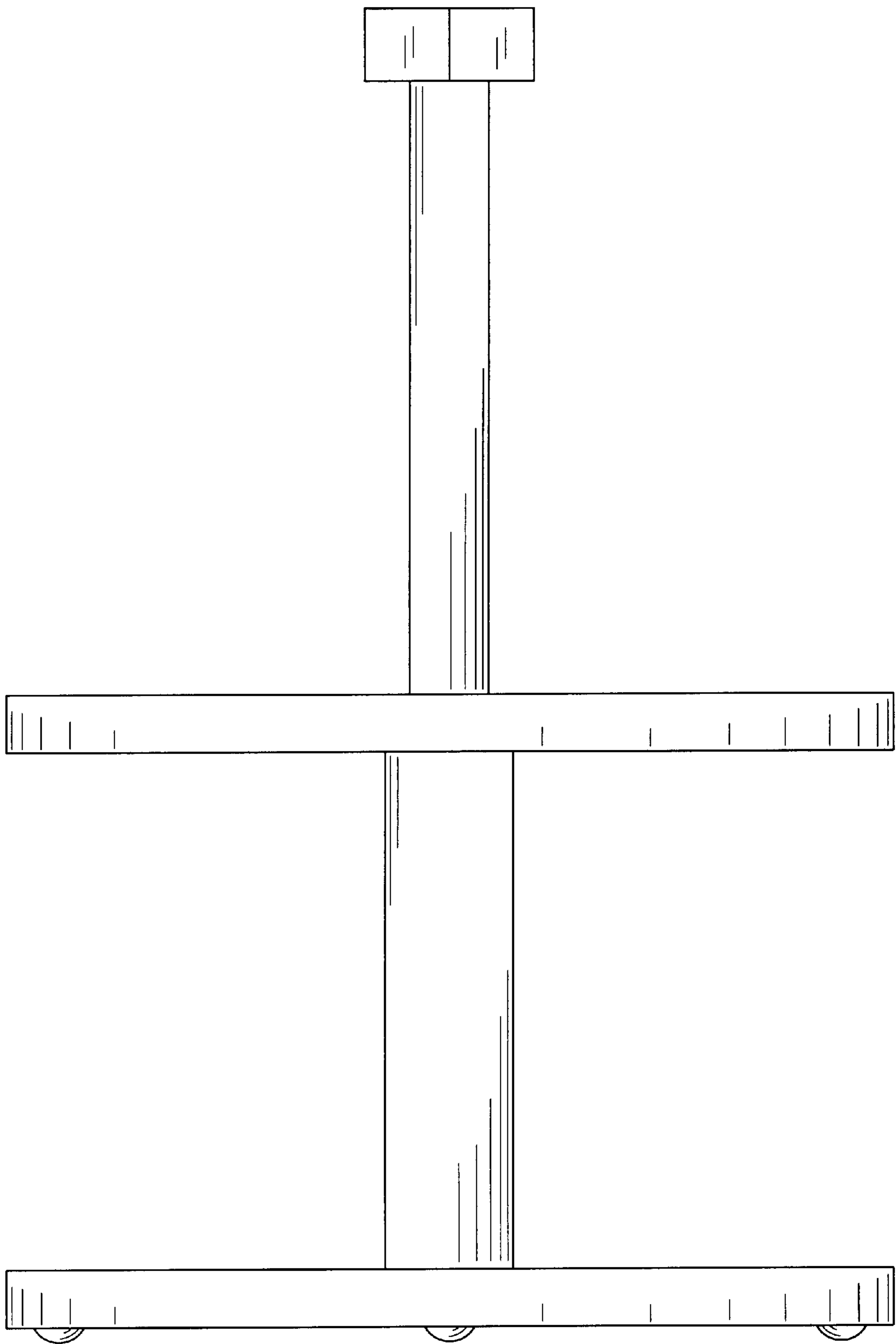


Fig. 3

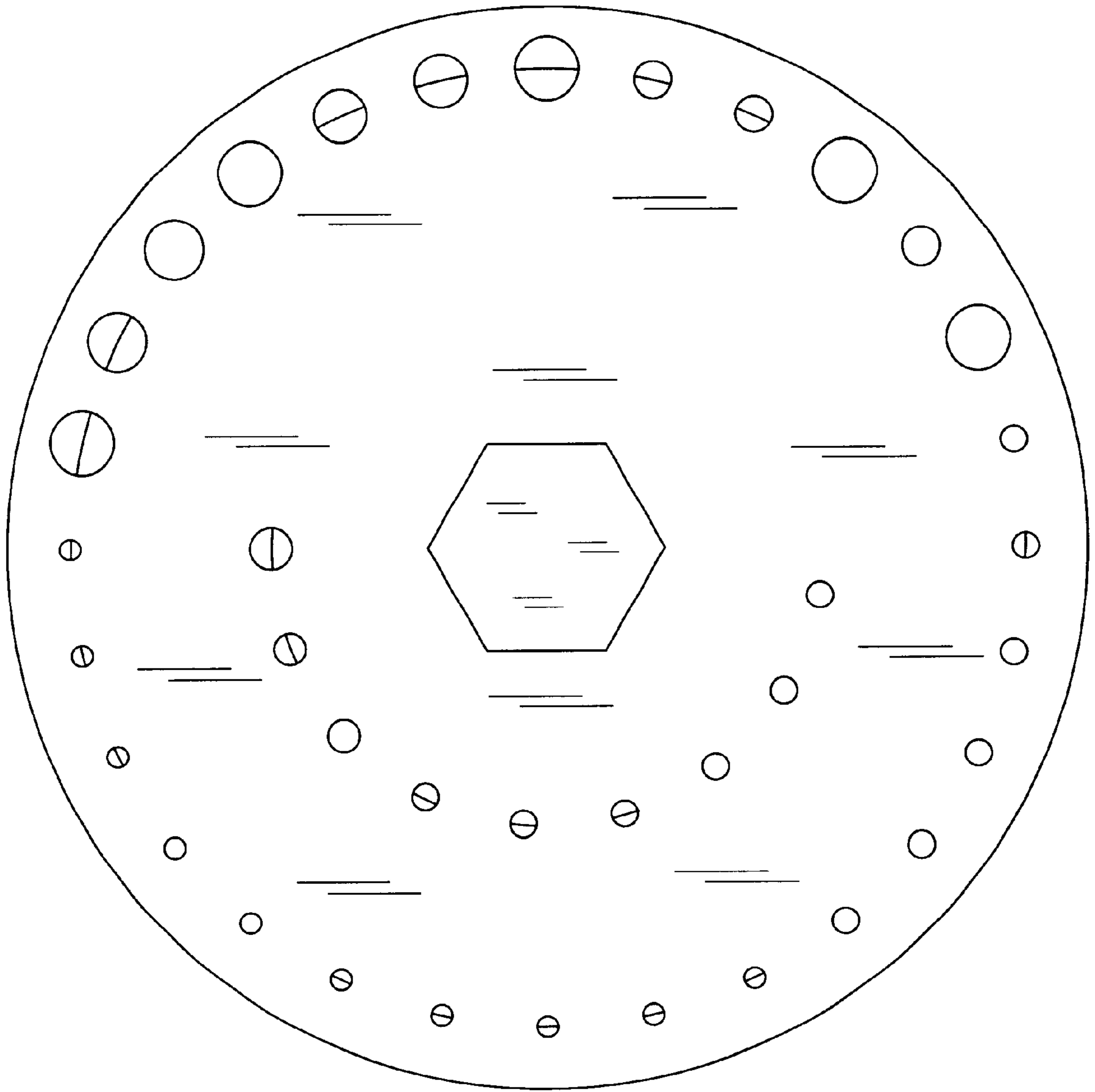


Fig. 4

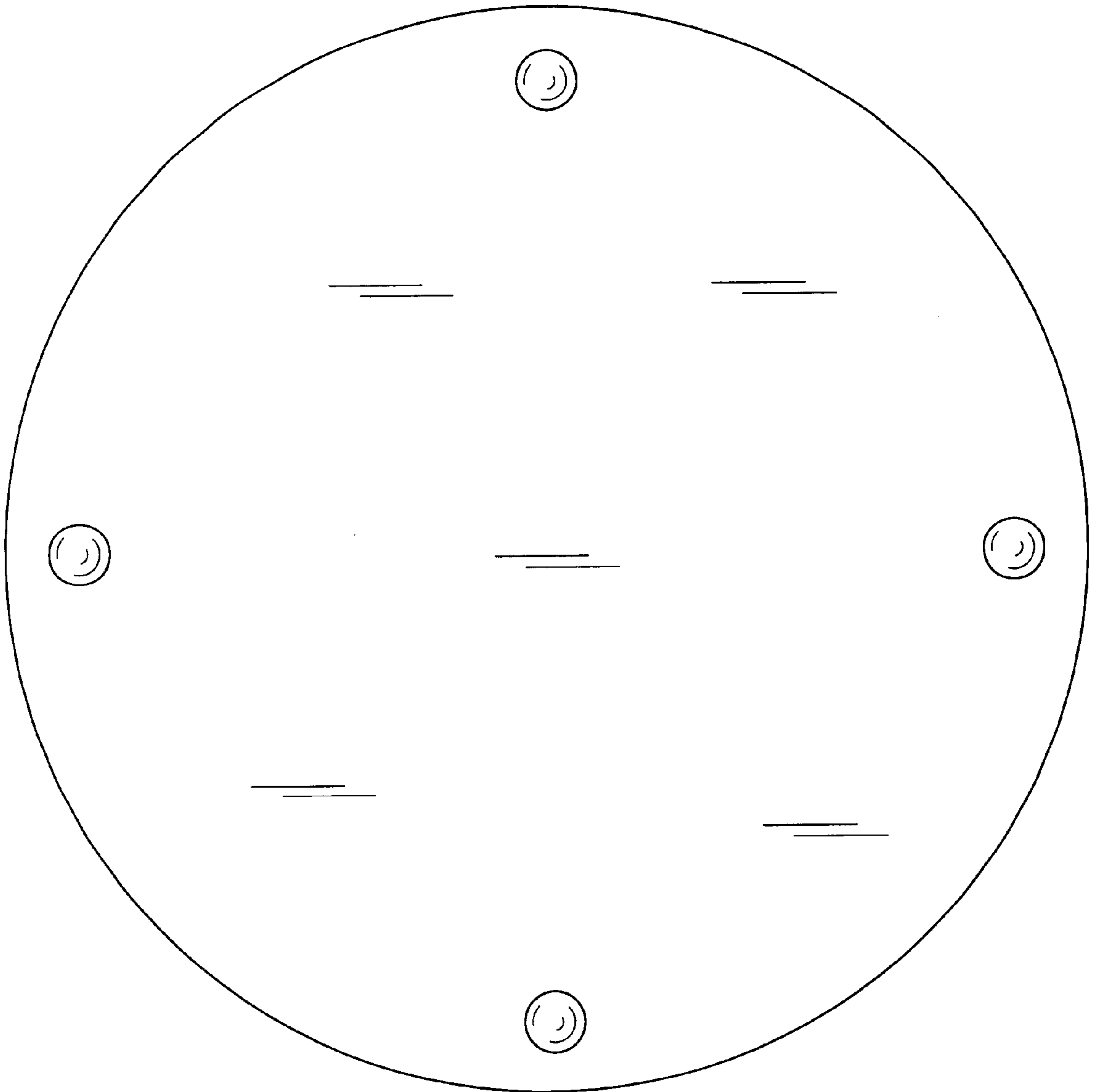


Fig. 5