



US00D480937S

(12) **United States Design Patent**
Vögele et al.

(10) **Patent No.:** **US D480,937 S**

(45) **Date of Patent:** **** Oct. 21, 2003**

(54) **HAMMER DRILL**

(75) Inventors: **Roland Vögele**, Winnenden (DE);
Rainer Kumpf, Ilsfeld (DE)

(73) Assignee: **Atlas Copco Electric Tools GmbH**,
Winnenden (DE)

(**) Term: **14 Years**

(21) Appl. No.: **29/158,715**

(22) Filed: **Apr. 8, 2002**

(30) **Foreign Application Priority Data**

Oct. 10, 2001 (DE) 401 08 967

(51) **LOC (7) Cl.** **08-01**

(52) **U.S. Cl.** **D8/69**

(58) **Field of Search** D8/61, 62, 63,
D8/64, 65, 66, 67, 68, 69, 70; 81/57.11,
429, 464, 465, 466, 469, 489; 173/13, 169,
178, 213, 217; 227/8, 114, 120, 130, 136,
142; 310/50; 408/20, 124, 125, 234, 241 R;
451/358

(56) **References Cited**

U.S. PATENT DOCUMENTS

1,679,185 A * 7/1928 Sweet 310/50
3,395,765 A * 8/1968 Schnettler 173/13
D339,510 S * 9/1993 Sakamoto et al. D8/64

D408,699 S * 4/1999 Zurwelle D8/64
D409,468 S * 5/1999 Uchida et al. D8/69
D428,786 S * 8/2000 Hayakawa et al. D8/69
D440,851 S * 4/2001 Sakai et al. D8/69
D477,677 S * 9/2001 Stirm D8/69
D456,233 S * 4/2002 Main D8/64

* cited by examiner

Primary Examiner—Doris V. Coles

Assistant Examiner—T. Chase Nelson

(74) *Attorney, Agent, or Firm*—Gudrun E. Huckett

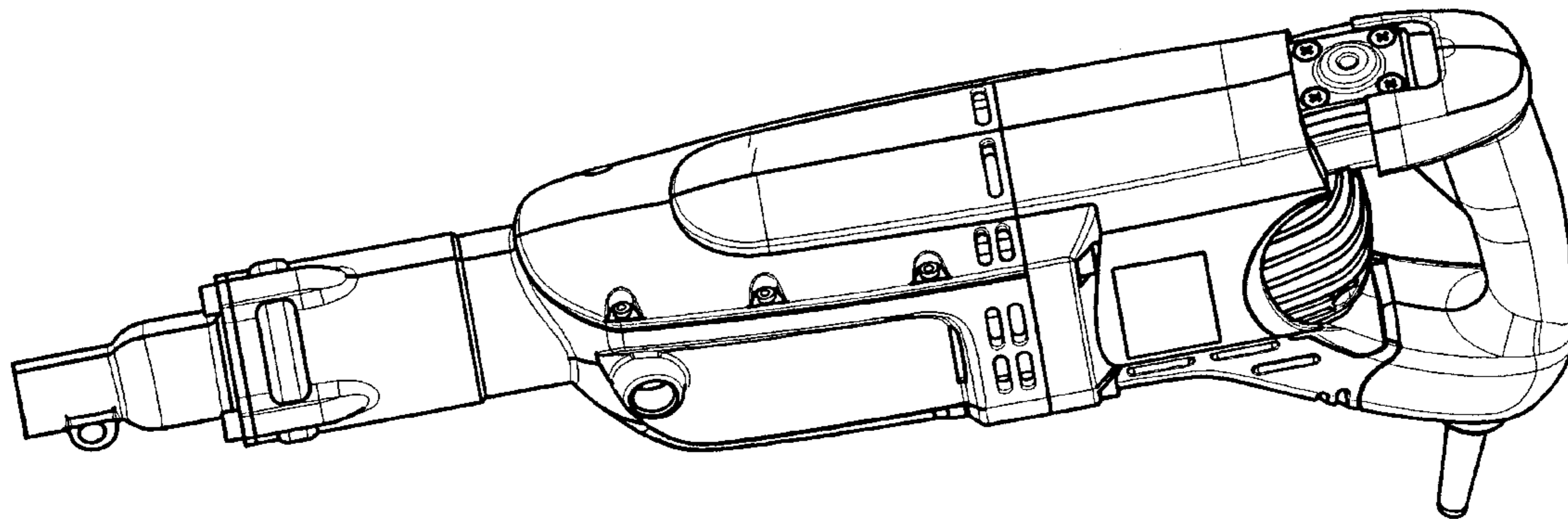
(57) **CLAIM**

The ornamental design for a hammer drill, as shown.

DESCRIPTION

FIG. 1 is a perspective top view of our novel hammer drill;
FIG. 2 is a perspective bottom view of our novel hammer
drill;
FIG. 3 is a perspective side view of the right side, when
viewed from the bit receiving end, of our novel hammer
drill;
FIG. 4 is a side view of the left side, when viewed from the
bit receiving end, of our novel hammer drill;
FIG. 5 is a bottom plan view of our novel hammer drill with
the bit receiving end pointing to the right;
FIG. 6 is a front view onto the bit receiving end of our novel
hammer drill; and,
FIG. 7 is a rear view of our novel hammer drill.

1 Claim, 7 Drawing Sheets



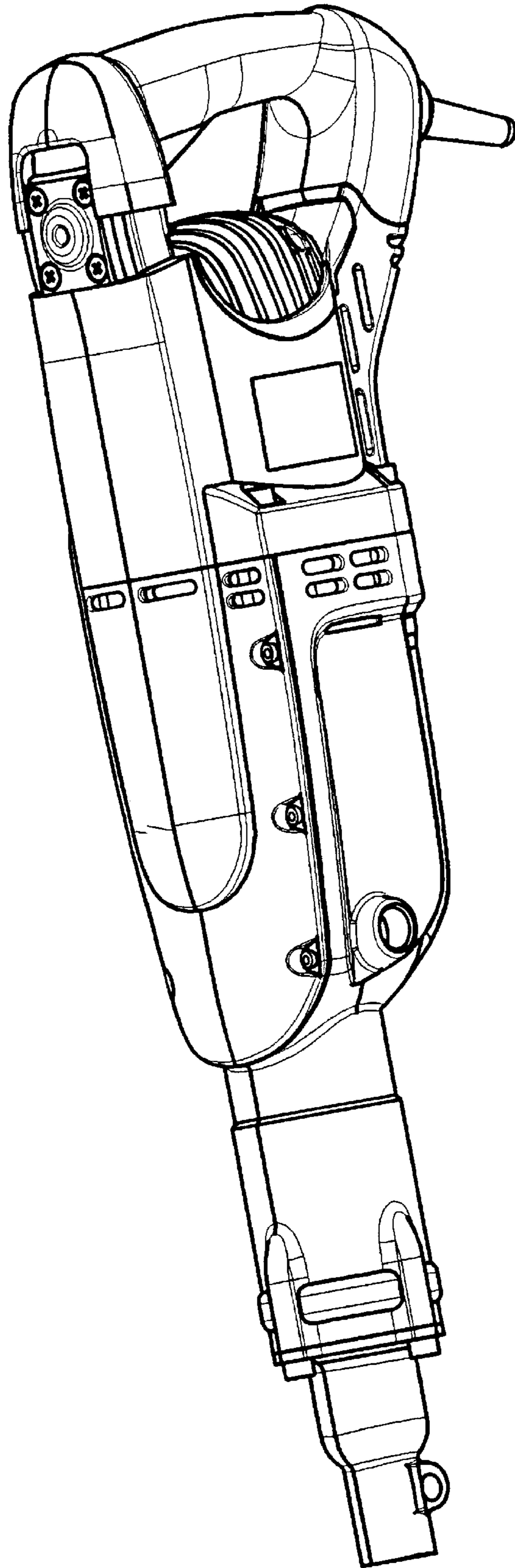


Fig. 1

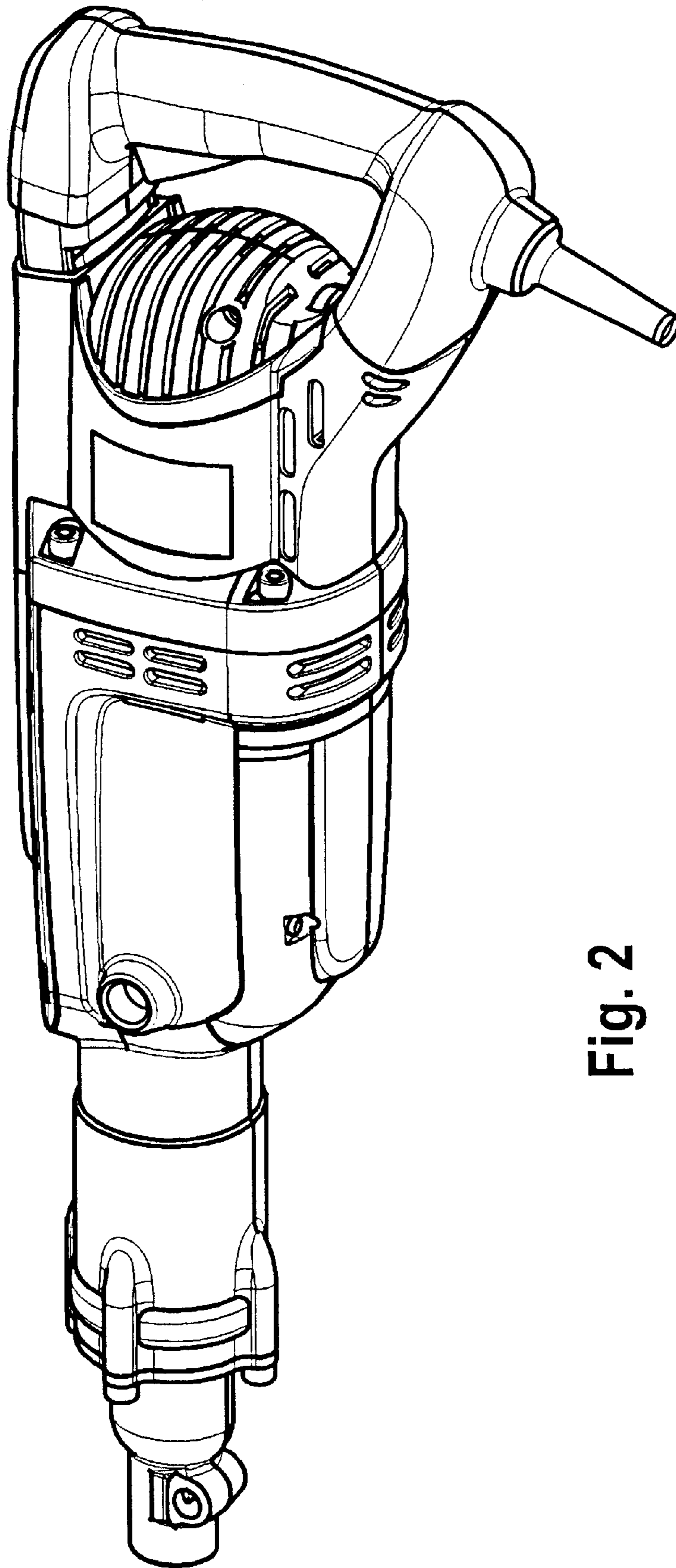


Fig. 2

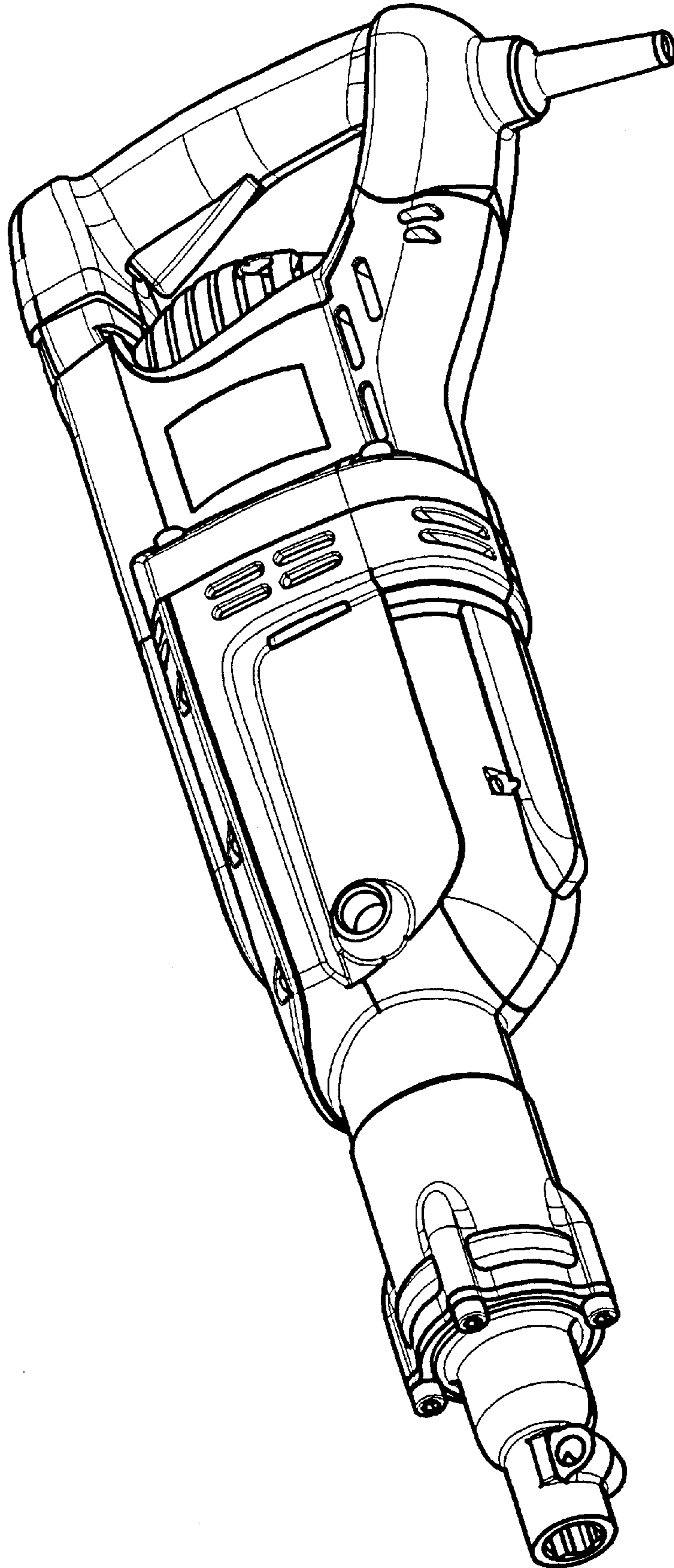


Fig. 3

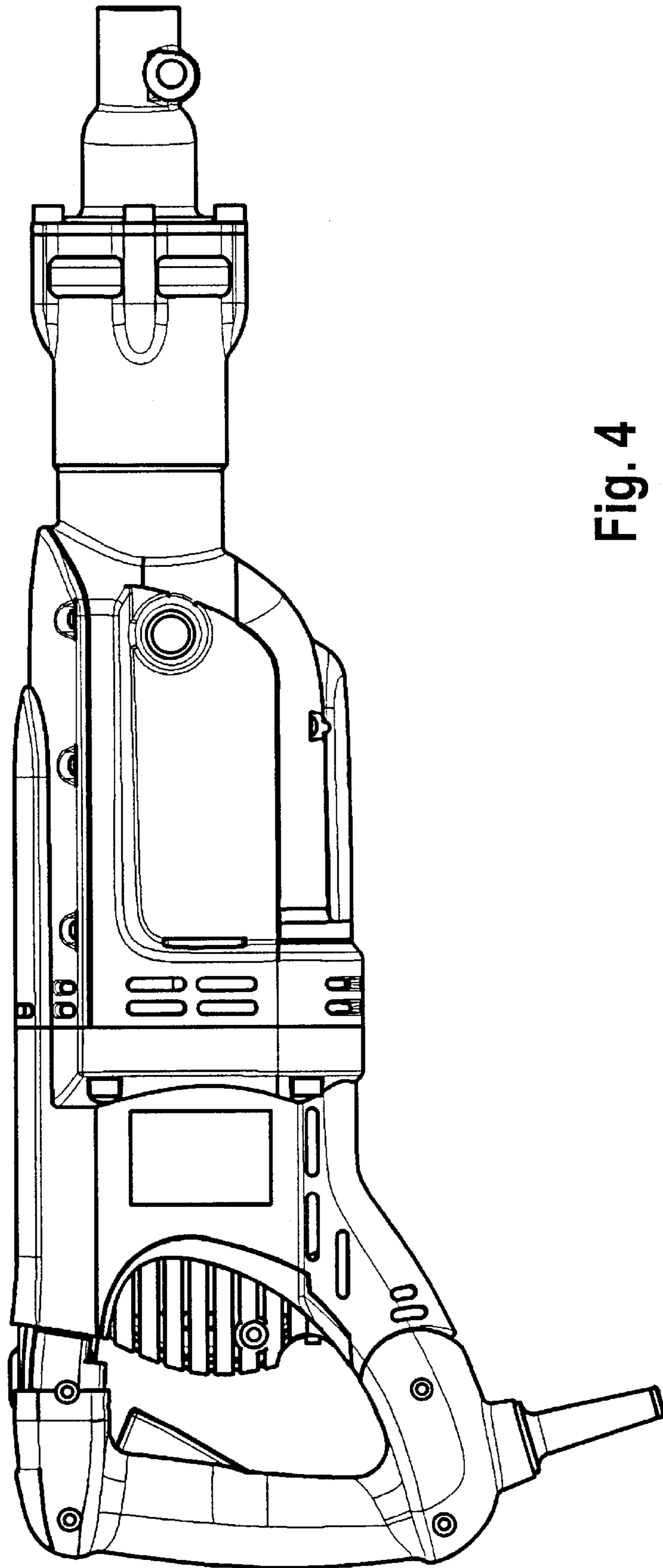


Fig. 4

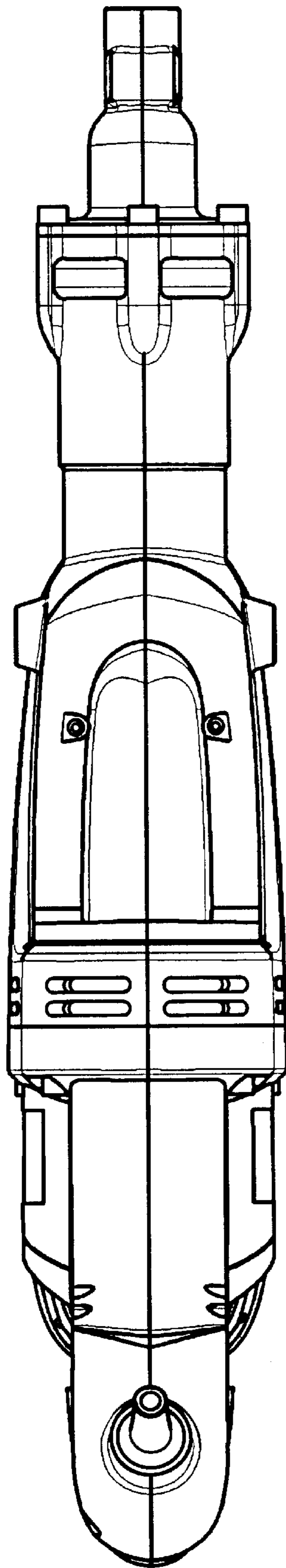


Fig. 5

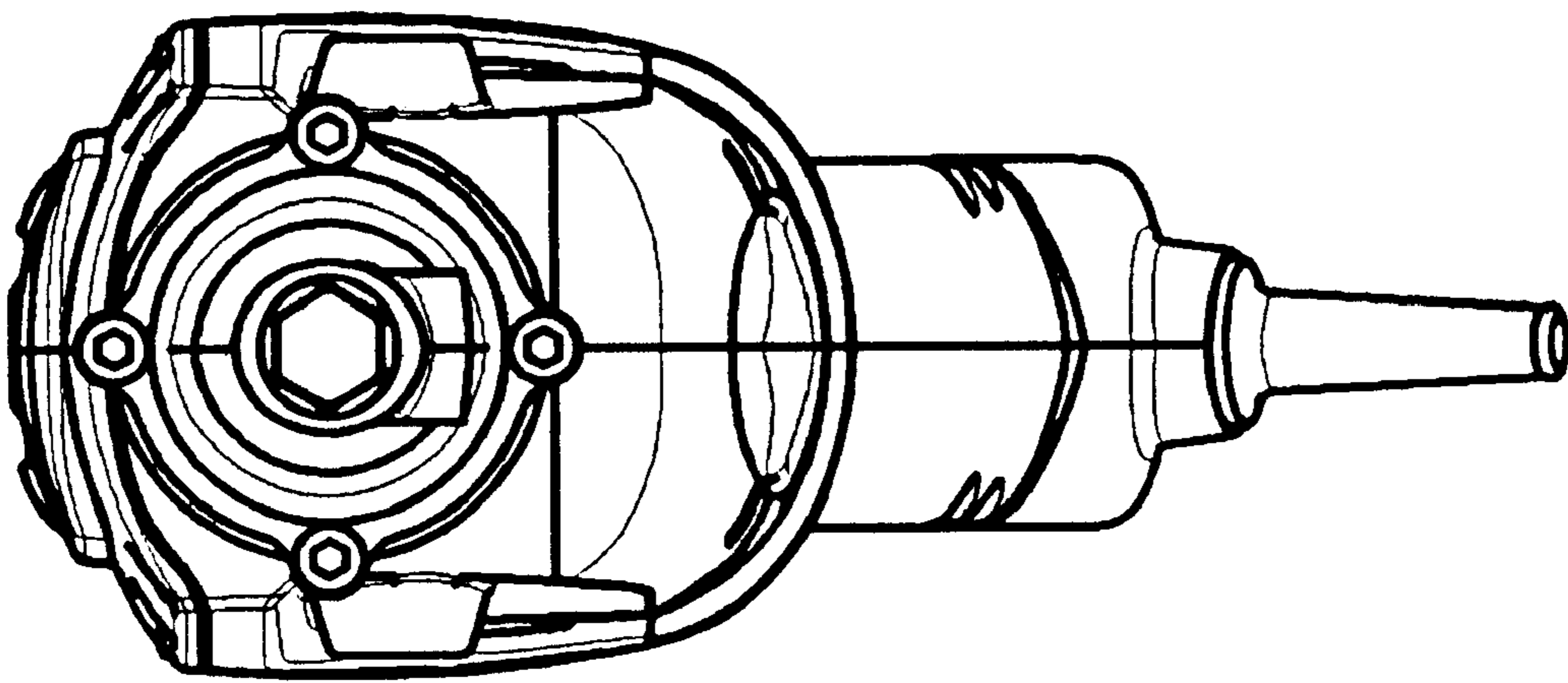


Fig. 6

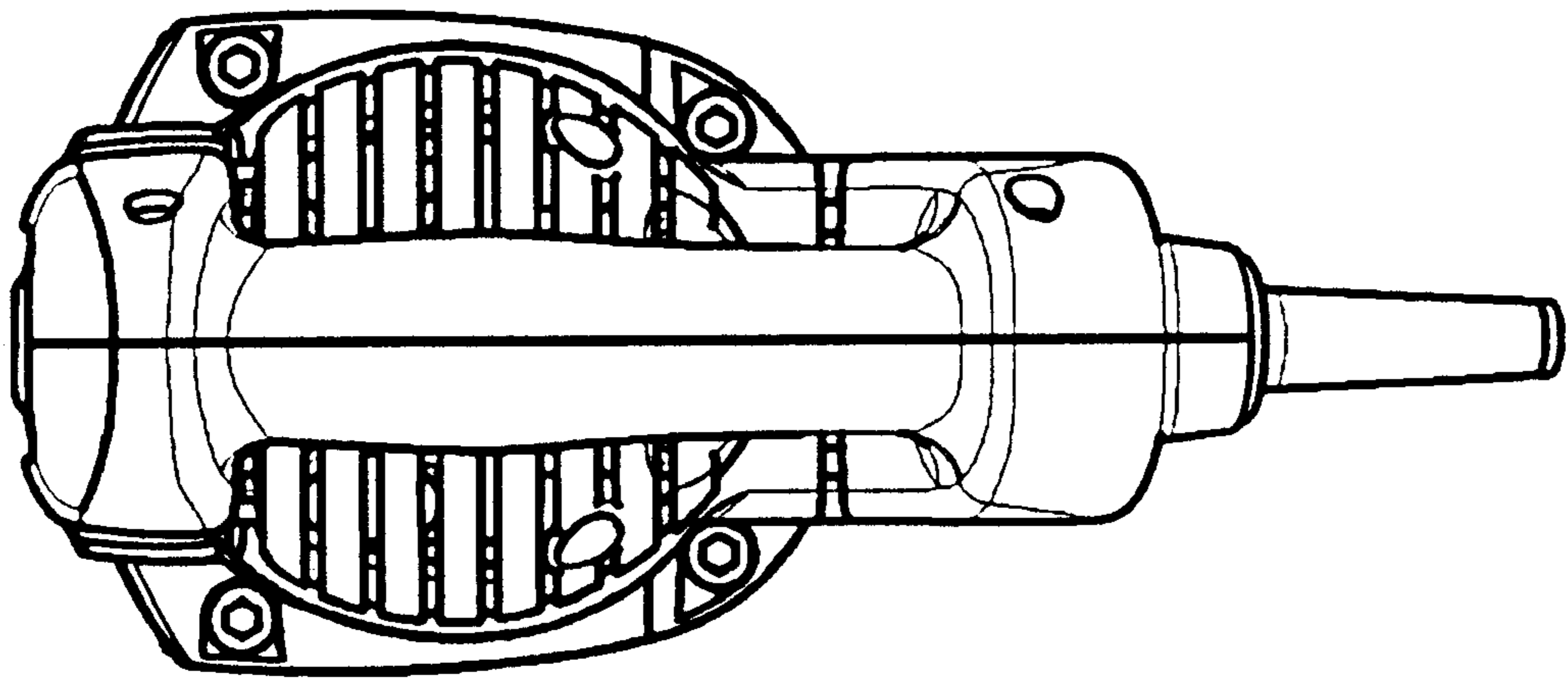


Fig. 7